



US00D453830S

(12) **United States Design Patent**
McDowell et al.

(10) **Patent No.:** **US D453,830 S**

(45) **Date of Patent:** **** Feb. 19, 2002**

(54) **INFUSION PUMP**

FOREIGN PATENT DOCUMENTS

(75) Inventors: **Douglas J. McDowell**, Erie; **L. Dean Stansbury**, Wheat Ridge; **Jerome M. Keane**, Louisville; **Andrew N. Lamborne**, Denver, all of CO (US)

FR	1156298	5/1958
FR	2 561 925	10/1985
WO	WO 91/06338	5/1991
WO	WO 91/08002	6/1991
WO	WO 91/16093	10/1991

(73) Assignee: **McKinley Medical L.L.P.**, Wheat Ridge, CO (US)

Primary Examiner—Ian Simmons

(**) Term: **14 Years**

(74) *Attorney, Agent, or Firm*—Dorr, Carson, Sloan & Birney, P.C.

(21) Appl. No.: **29/142,273**

(57) **CLAIM**

(22) Filed: **May 21, 2001**

The ornamental design for an infusion pump, as shown and described.

(51) **LOC (7) Cl.** **24-02**

(52) **U.S. Cl.** **D24/111; D24/108**

(58) **Field of Search** D24/111, 108,
D24/121; 604/207, 212, 218, 224, 131,
151, 152, 135, 134; 417/477.12, 477.7,
478, 473, 460, 467, 472

DESCRIPTION

(56) **References Cited**

U.S. PATENT DOCUMENTS

1,123,990 A	1/1915	Calhoun
1,476,946 A	12/1923	Bessesen
2,428,577 A	10/1947	Mathis
2,605,765 A	8/1952	Kollsman
2,792,834 A	5/1957	Kapelsohn

FIG. 1 is a top perspective view of an infusion pump showing our new design.

FIG. 2 is a bottom perspective view thereof.

FIG. 3 is a left side elevational view thereof, with the right side elevational view being a mirror image of FIG. 3.

FIG. 4 is a front elevational view thereof.

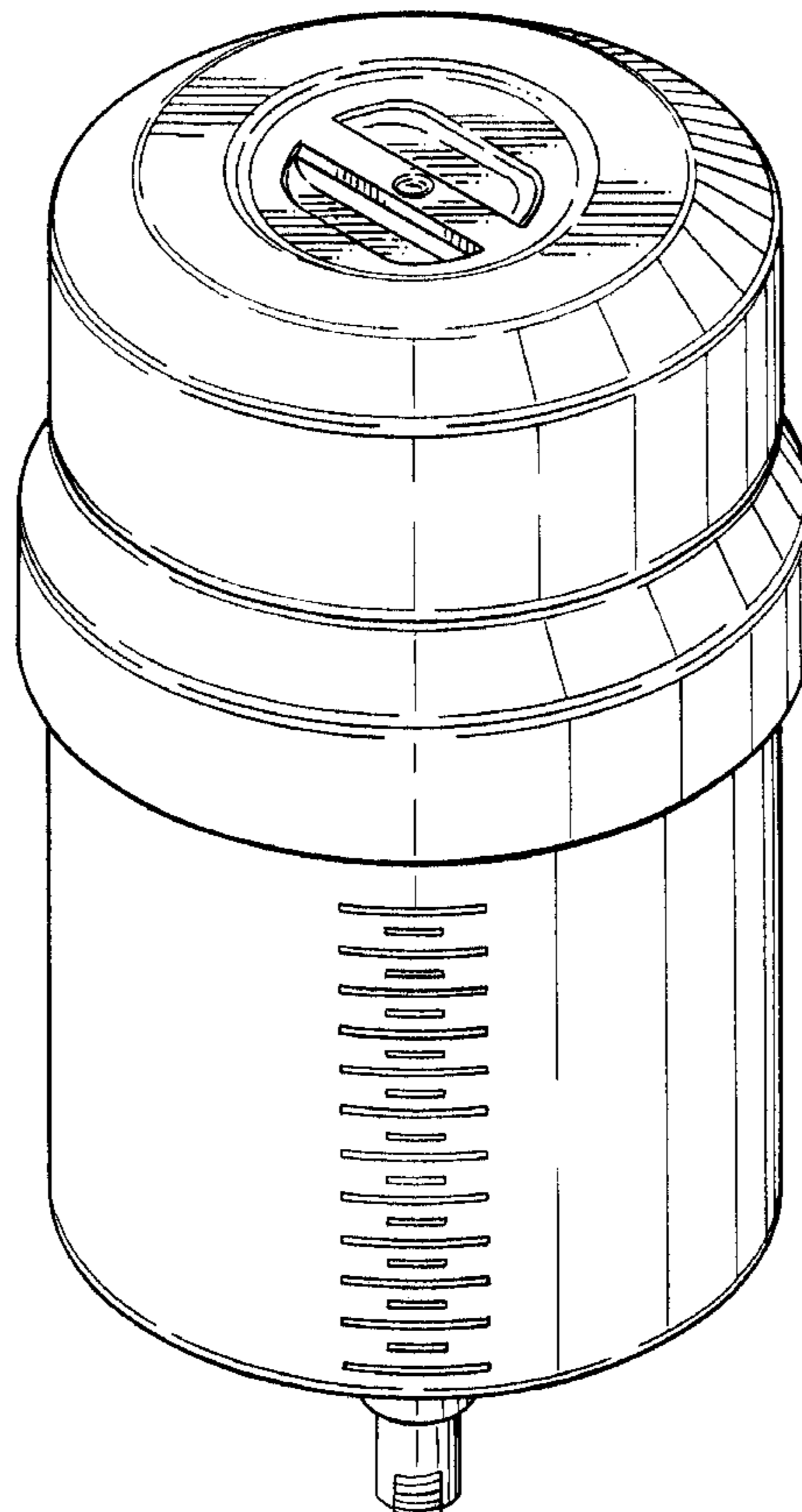
FIG. 5 is a rear elevational view thereof.

FIG. 6 is a top plan view thereof; and,

FIG. 7 is a bottom plan view thereof.

(List continued on next page.)

1 Claim, 6 Drawing Sheets



US D453,830 S

Page 2

U.S. PATENT DOCUMENTS

3,492,876 A	2/1970	Bull et al.	5,059,174 A	10/1991	Vaillancourt	
3,565,292 A	2/1971	Jinotti	5,062,834 A	11/1991	Gross et al.	
3,863,624 A	2/1975	Gram	5,078,679 A	1/1992	Reese	
4,036,232 A	7/1977	Genese	5,098,385 A	3/1992	Walsh	
4,050,459 A	9/1977	Sanchez	5,100,389 A	3/1992	Vaillancourt	
4,180,067 A	12/1979	Derlien	5,135,500 A	8/1992	Zdeb	
4,312,347 A	1/1982	Magoon et al.	5,178,609 A	1/1993	Ishikawa	
4,381,006 A	4/1983	Genese	D339,193 S	* 9/1993	Thompson et al.	D24/111
4,456,152 A	6/1984	Young et al.	5,290,259 A	3/1994	Fischer	
4,467,942 A	8/1984	Oshikubo	5,318,544 A	6/1994	Drypen et al.	
4,561,856 A	12/1985	Cochran	5,346,476 A	9/1994	Elson	
4,666,430 A	5/1987	Brown et al.	5,360,411 A	11/1994	Mimura et al.	
4,676,256 A	6/1987	Golden	5,411,485 A	5/1995	Tennican et al.	
4,765,509 A	8/1988	Eisenhut et al.	D361,379 S	* 8/1995	Sancoff et al.	D24/111
4,773,900 A	9/1988	Cochran	5,454,792 A	10/1995	Tennican et al.	
4,813,937 A	3/1989	Vaillancourt	RE35,192 E	3/1996	Reese	
4,832,694 A	5/1989	Raphael, III et al.	5,569,236 A	10/1996	Kriesel	
4,874,386 A	10/1989	O'Boyle	5,599,315 A	2/1997	McPhee	
4,962,868 A	10/1990	Borchard	5,607,395 A	3/1997	Ragsdale et al.	
4,966,585 A	10/1990	Gangemi	6,019,747 A	* 2/2000	McPhee	604/136
4,991,742 A	2/1991	Chang	6,083,201 A	* 7/2000	Skinkle	604/151
4,997,420 A	3/1991	LeFevre	D430,288 S	* 8/2000	Mason et al.	D24/111
5,024,661 A	6/1991	Wender et al.				

* cited by examiner

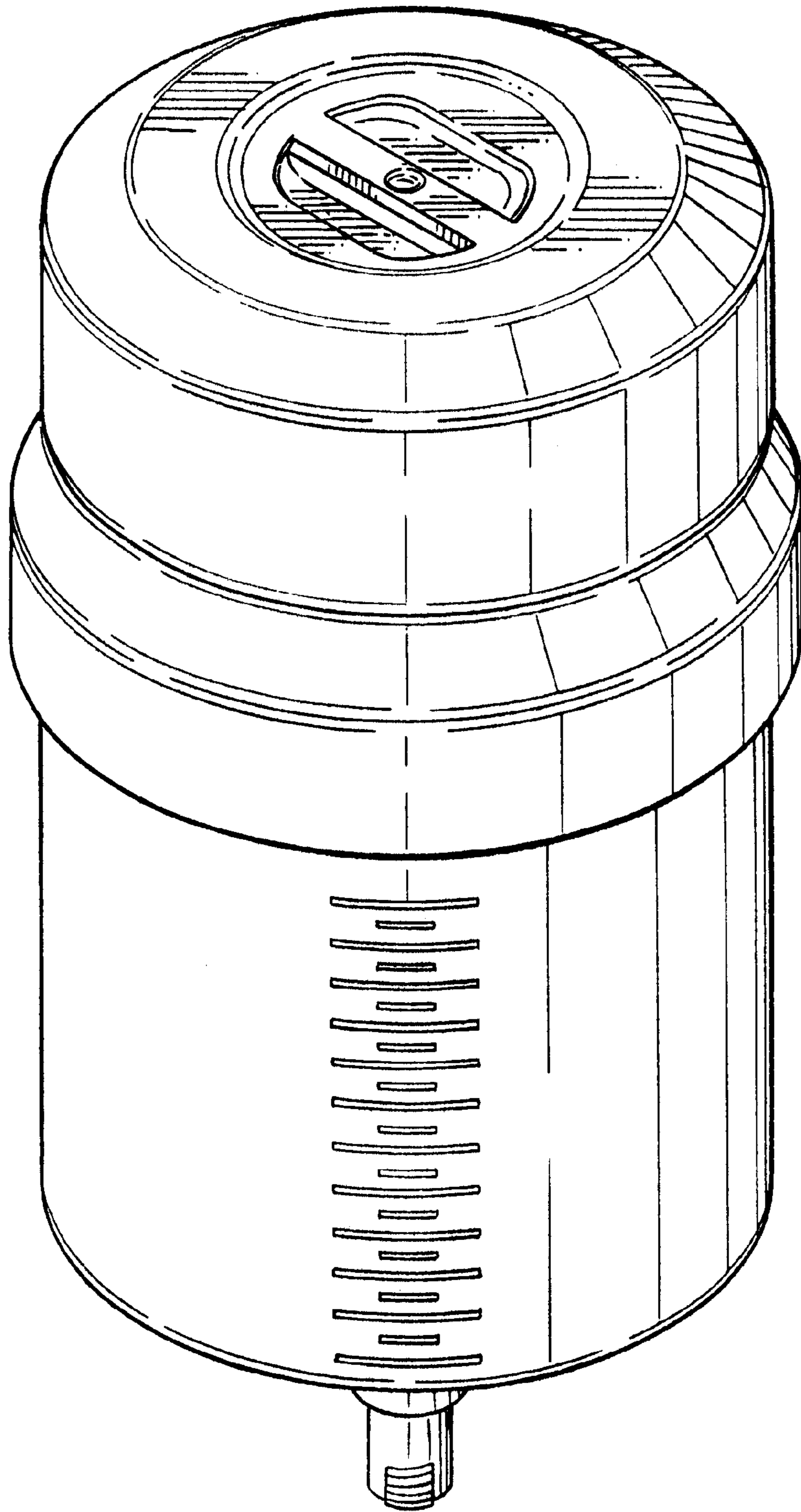


Fig. 1

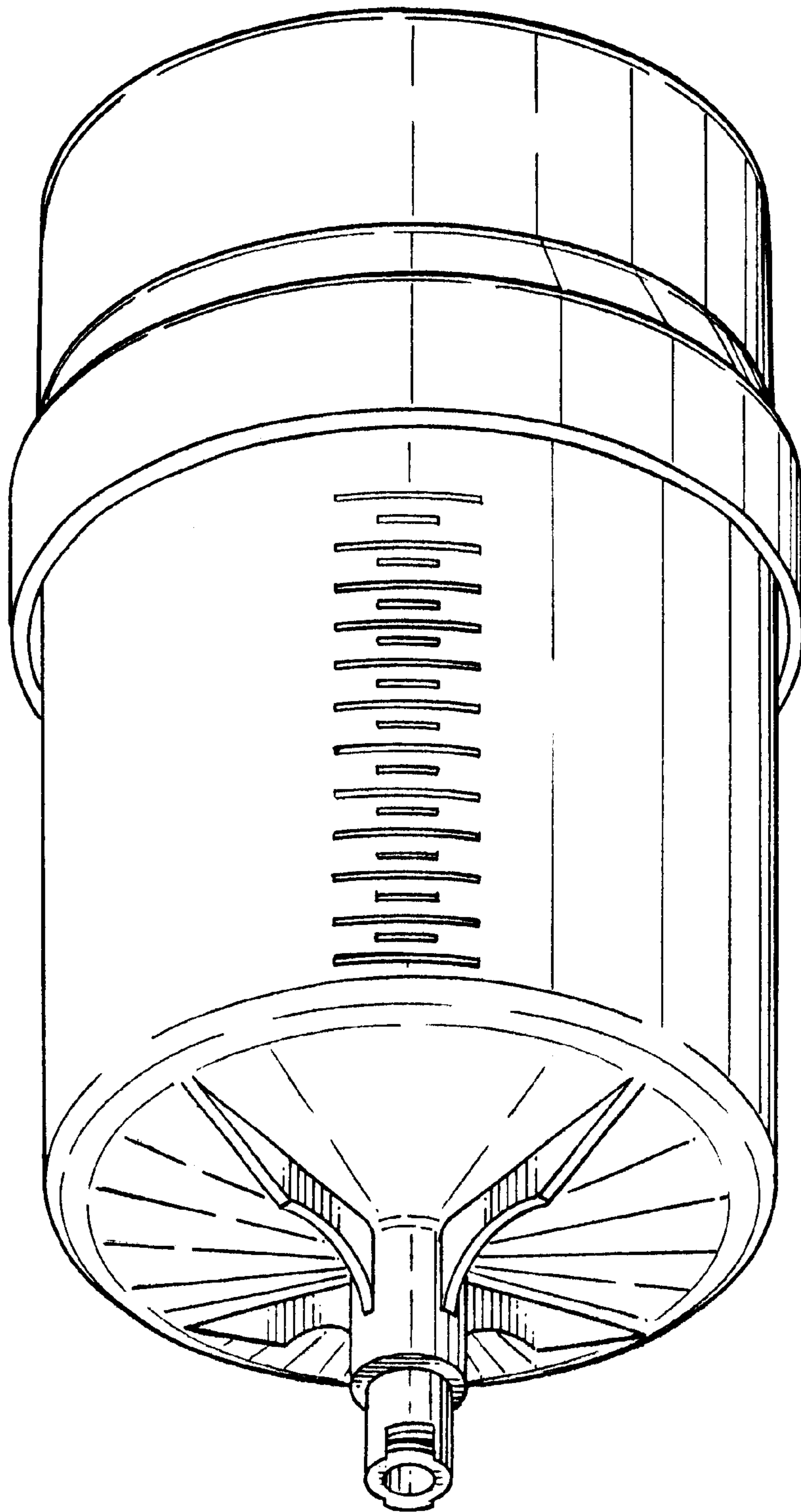


Fig. 2

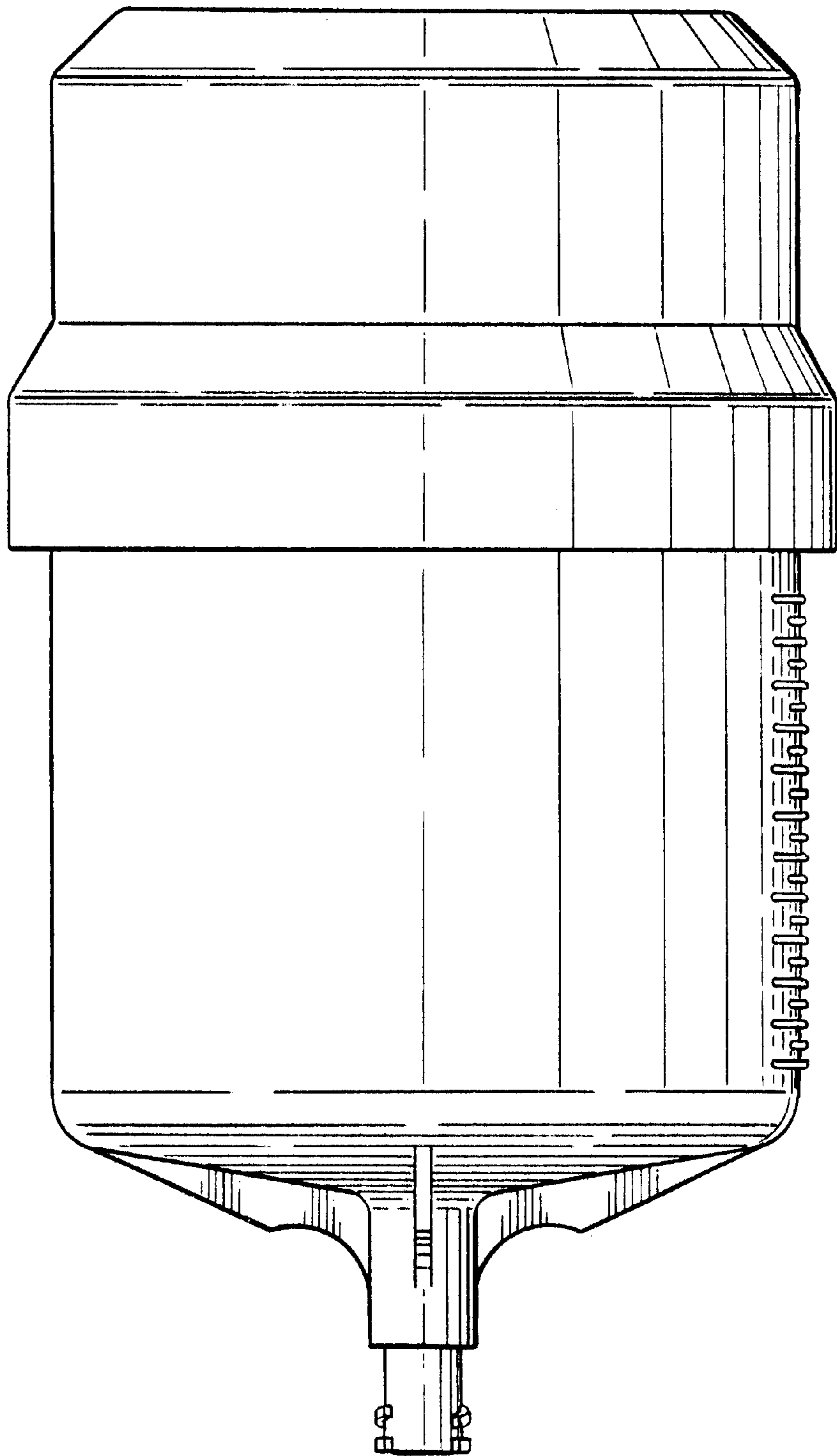


Fig. 3

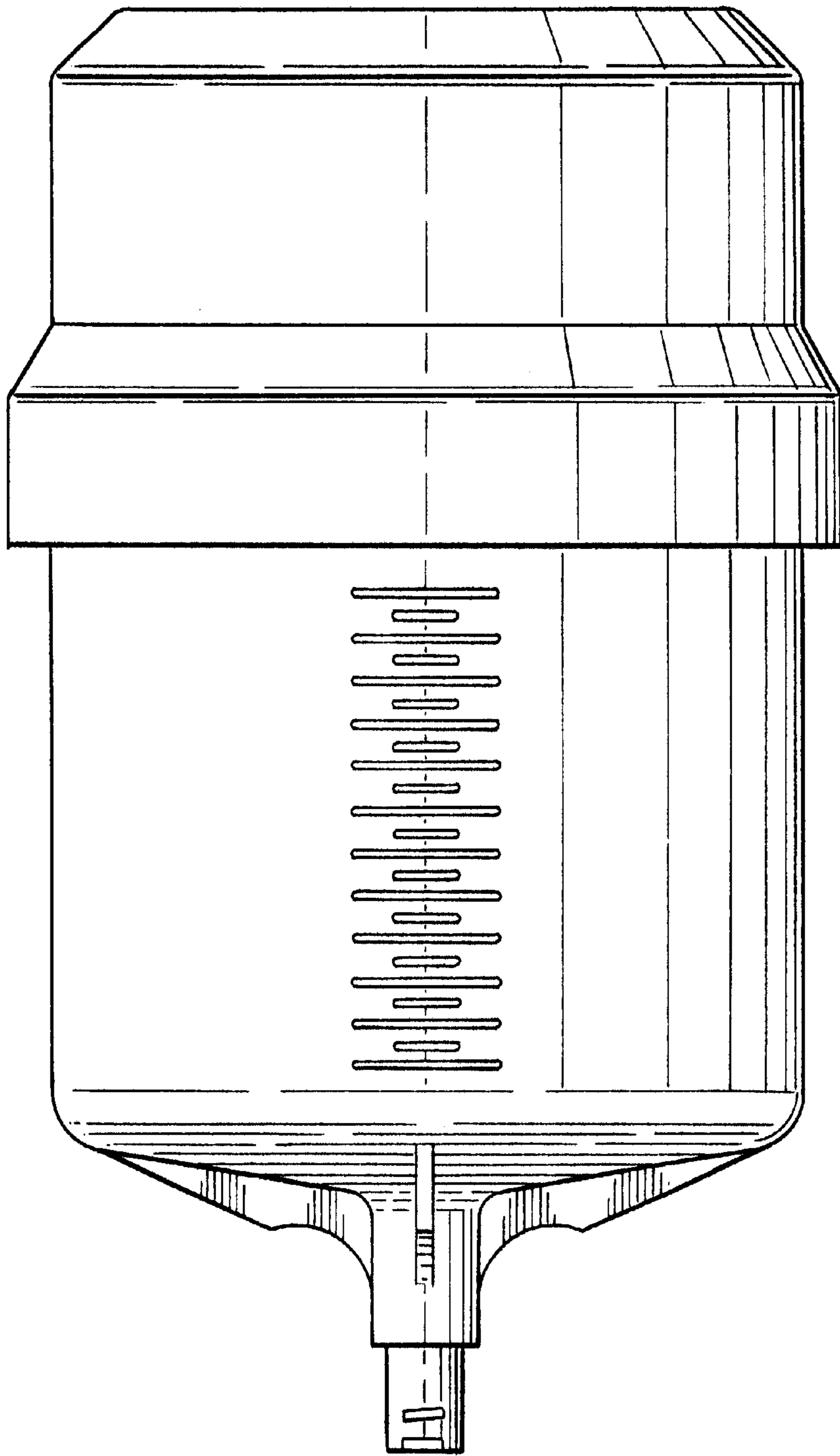


Fig. 4

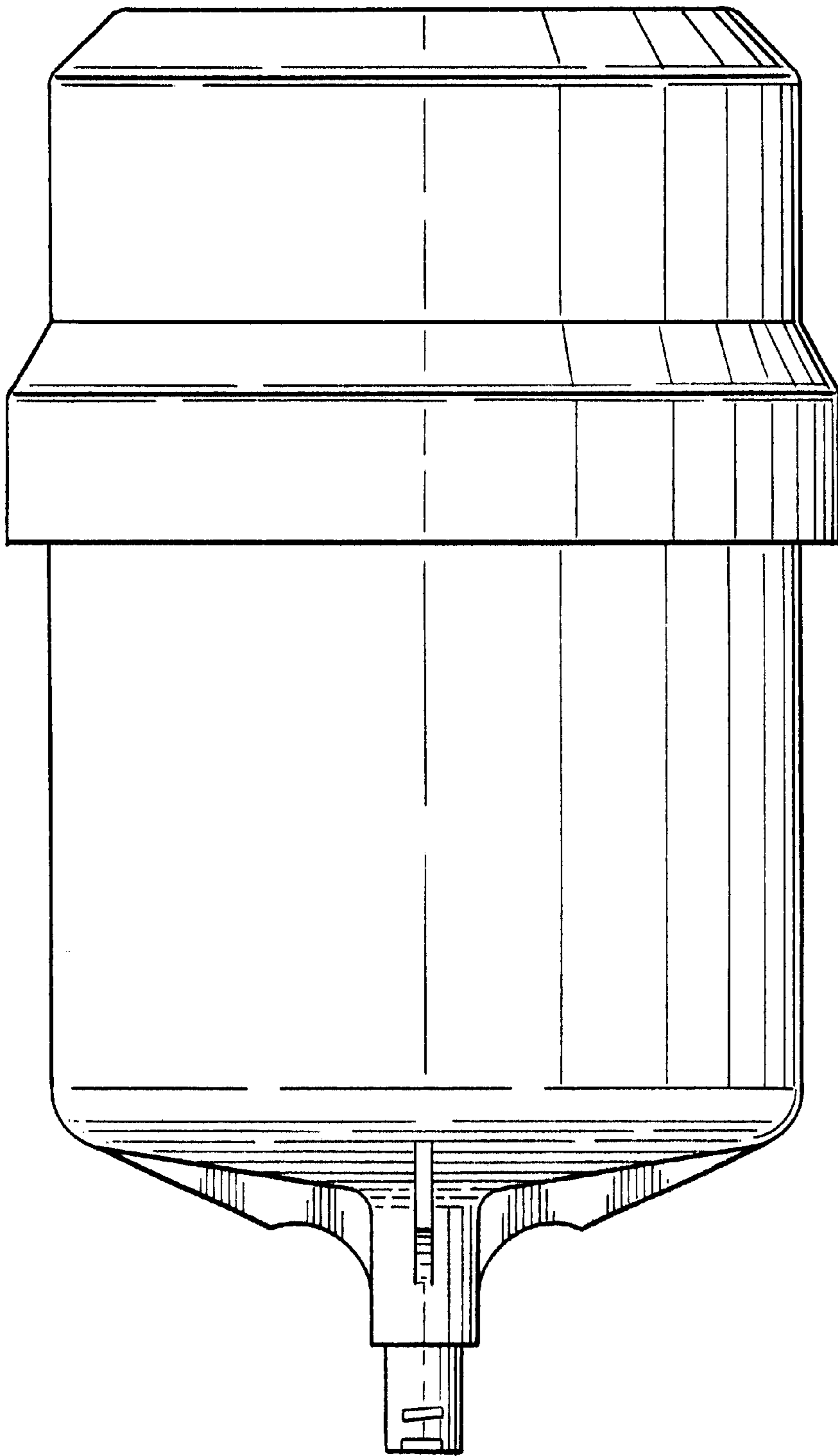


Fig. 5

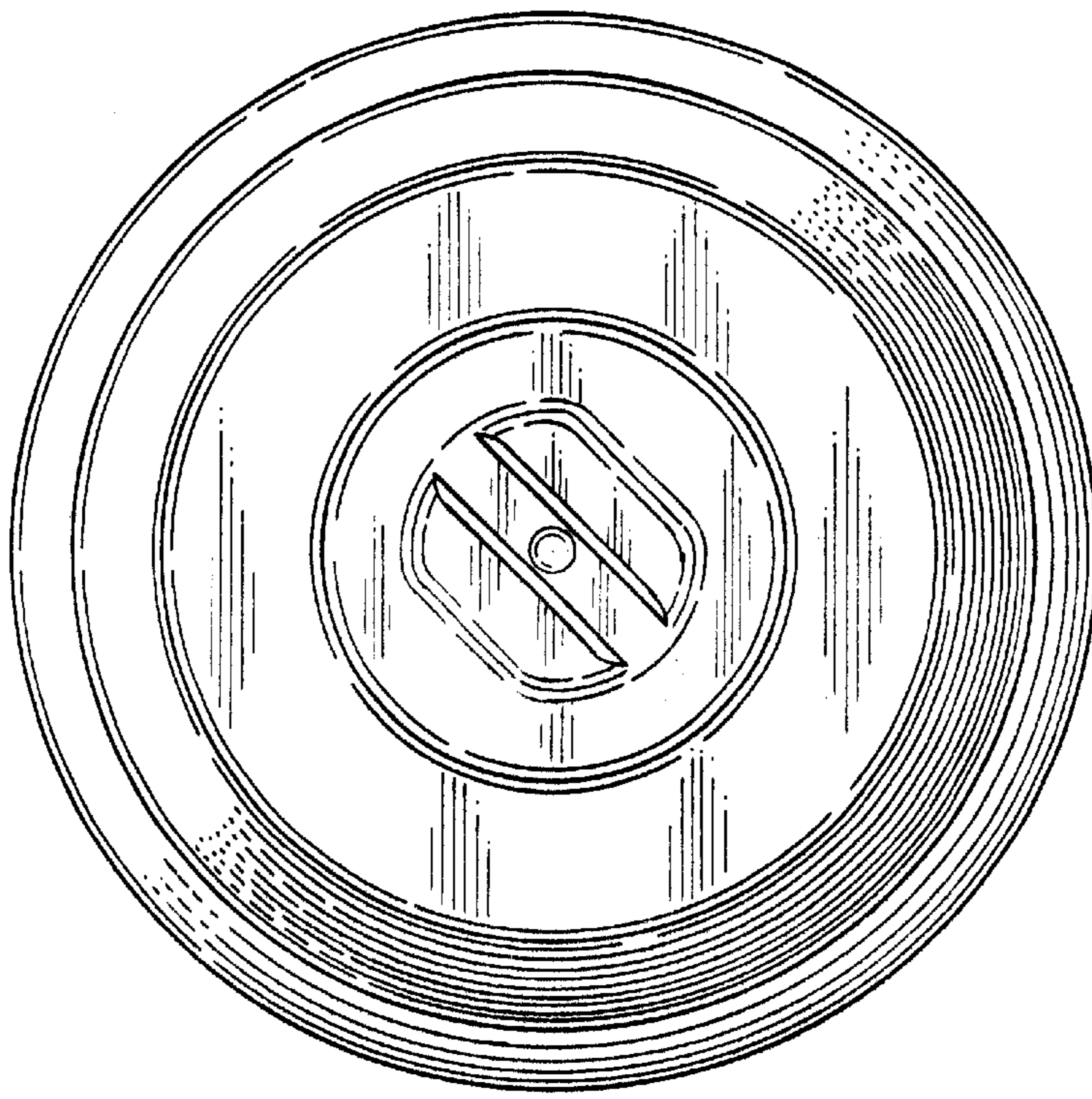


Fig. 6

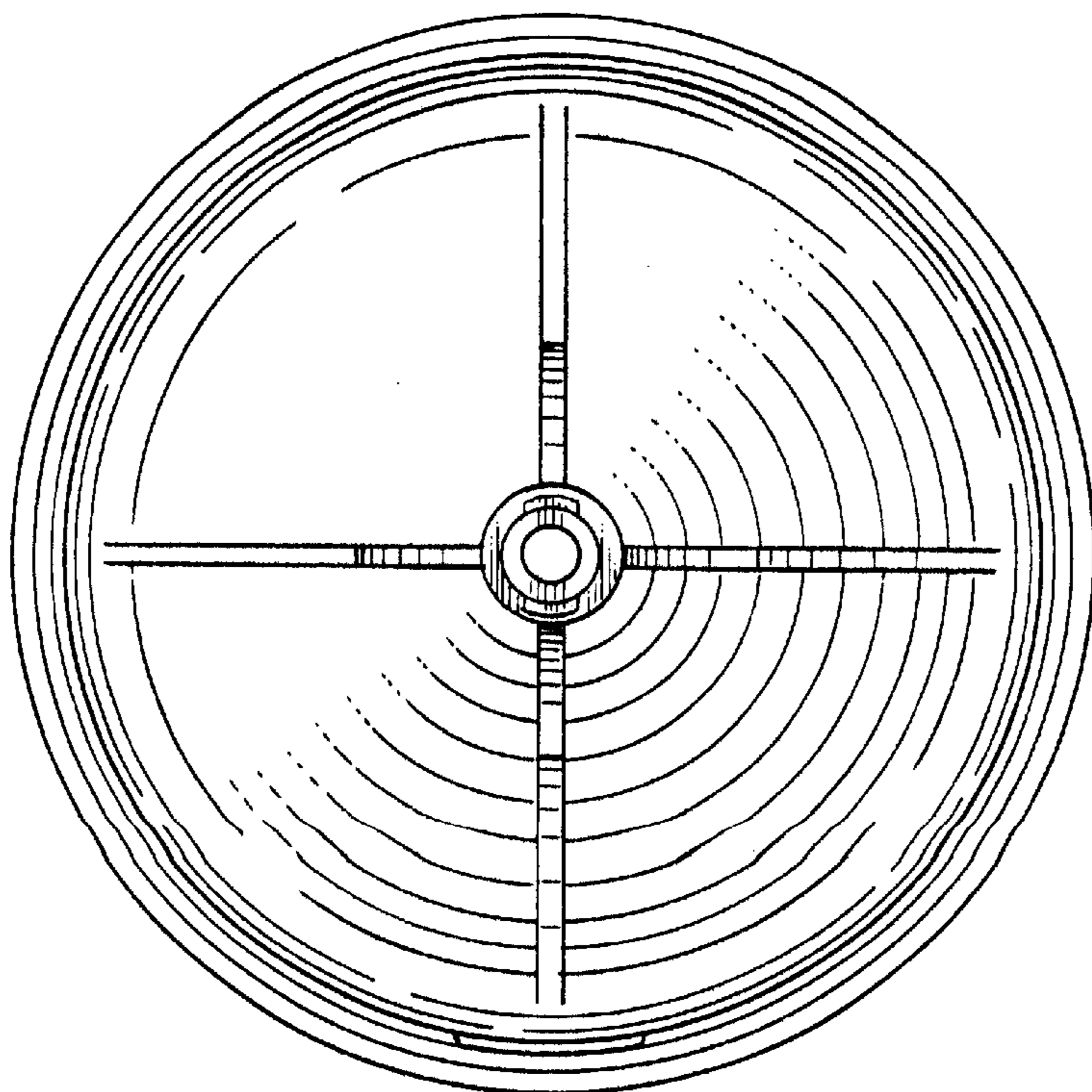


Fig. 7