



US00D453828S

(12) **United States Design Patent**
Brassil et al.

(10) **Patent No.:** **US D453,828 S**
(45) **Date of Patent:** **** Feb. 19, 2002**

(54) **ORGAN PERFUSION APPARATUS**

(75) Inventors: **John Brassil**, Northbrook, IL (US);
Russell Kroll, Atlanta; **Philip D. Palermo**, Marietta, both of GA (US)

(73) Assignee: **Organ Recovery Systems, Inc.**, Des Plaines, IL (US)

(**) Term: **14 Years**

(21) Appl. No.: **29/128,546**

(22) Filed: **Aug. 25, 2000**

(51) **LOC (7) Cl.** **24-01**

(52) **U.S. Cl.** **D24/107**

(58) **Field of Search** D24/108, 107,
D24/232, 109; 600/36; 604/503, 66, 67,
50; 435/284.1, 286.6, 286.5, 304.1; 62/78,
306, 376

(56) **References Cited**

U.S. PATENT DOCUMENTS

- 3,545,221 A 12/1970 Swenson et al.
- 3,881,990 A 5/1975 Burton et al.
- 3,995,444 A * 12/1976 Clark et al. 600/36
- 4,186,565 A * 2/1980 Toledo-Pereyra 435/284.1
- 4,242,883 A 1/1981 Toledo-Pereyra

- 4,745,759 A 5/1988 Bauer et al.
- 5,066,578 A 11/1991 Wikman-Coffelt
- 5,157,930 A * 10/1992 McGhee et al. 62/78
- 5,494,822 A * 2/1996 Sadri 604/50
- 6,046,046 A * 4/2000 Hassanein 435/284.1

* cited by examiner

Primary Examiner—Ian Simmons

(74) *Attorney, Agent, or Firm*—Oliff & Berridge, PLC

(57) **CLAIM**

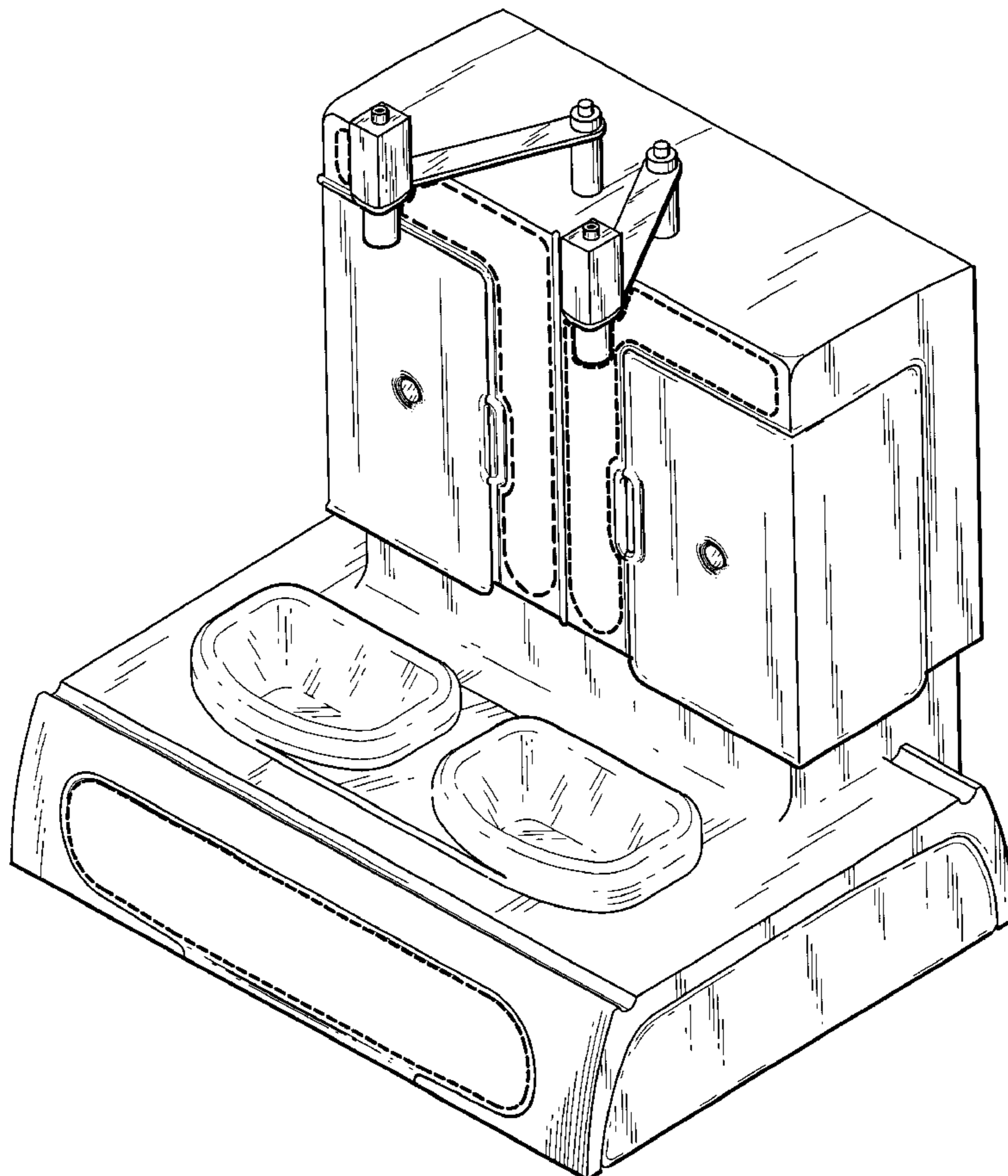
The ornamental design for organ perfusion apparatus, as shown and described.

DESCRIPTION

FIG. 1 is a front view of the organ perfusion apparatus; FIG. 2 is a right side view of the organ perfusion apparatus of FIG. 1, the opposite side view being a mirror image; FIG. 3 is a rear view of the organ perfusion apparatus of FIG. 1; and, FIG. 4 is a perspective view of the organ perfusion apparatus of FIG. 1.

The bottom view of the organ perfusion apparatus contains no ornamentality that is part of the claimed design. The arrangement of the features shown in broken lines makes up no part of the ornamentality of the claimed design.

1 Claim, 4 Drawing Sheets



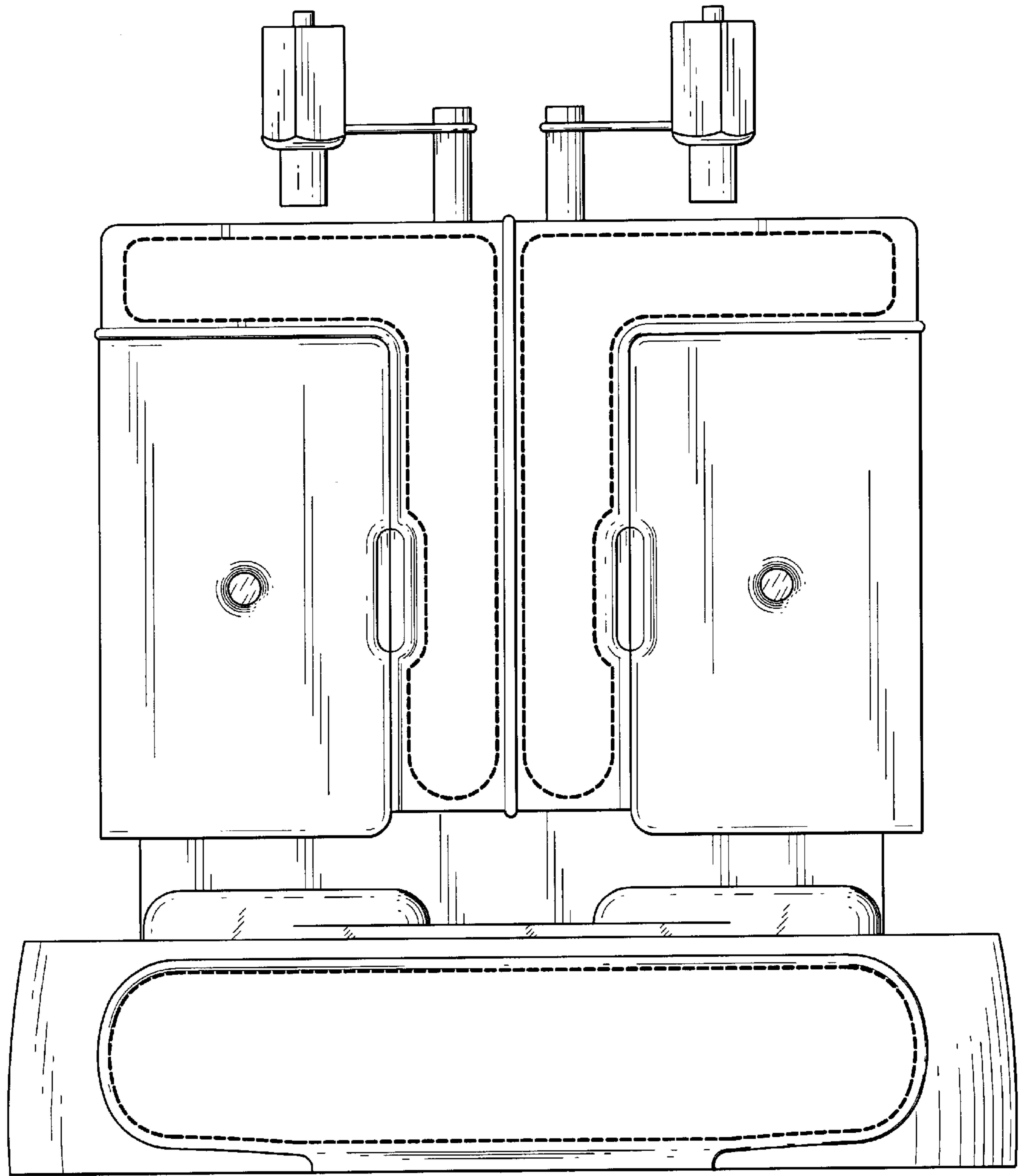


Fig. 1

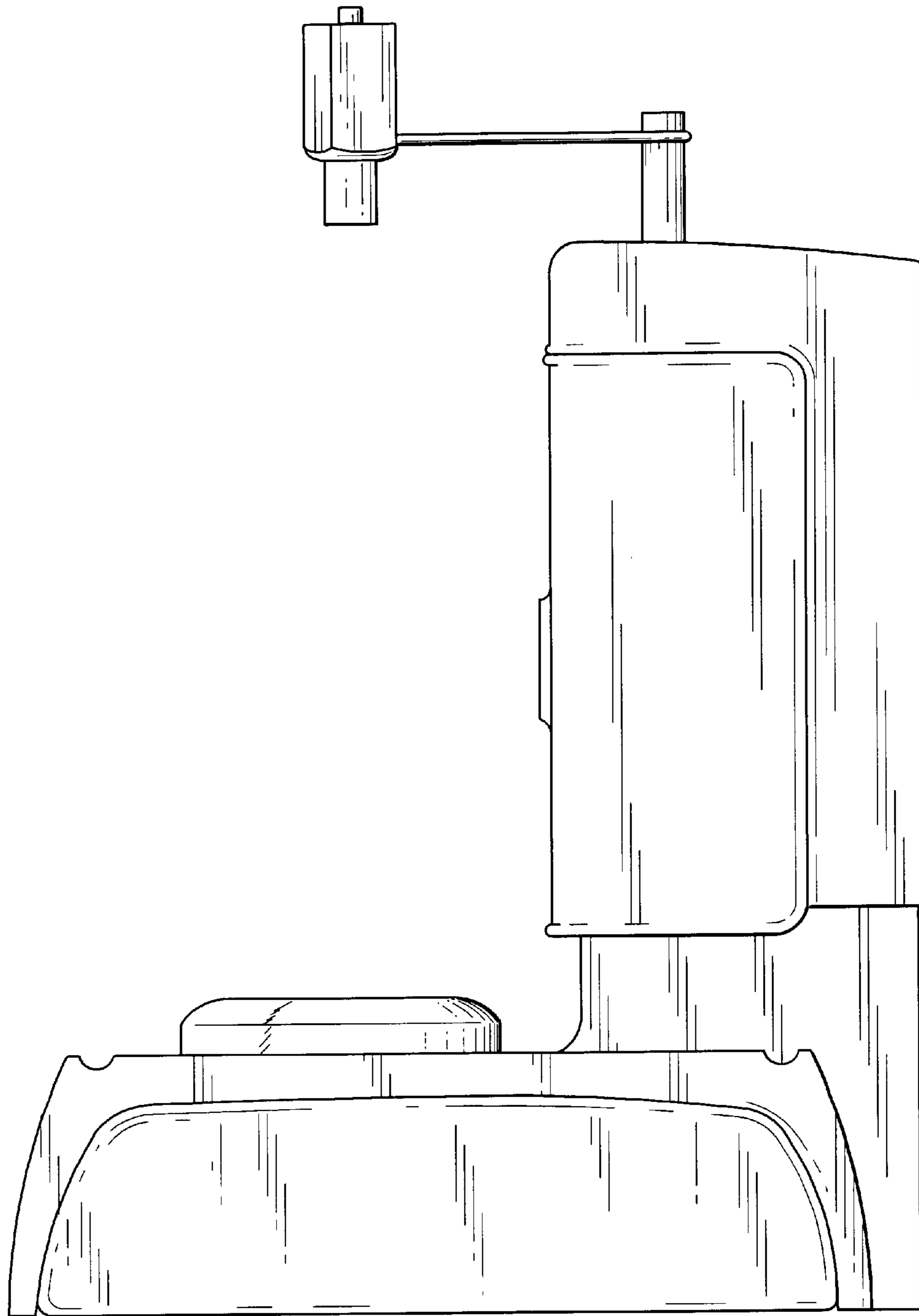


Fig. 2

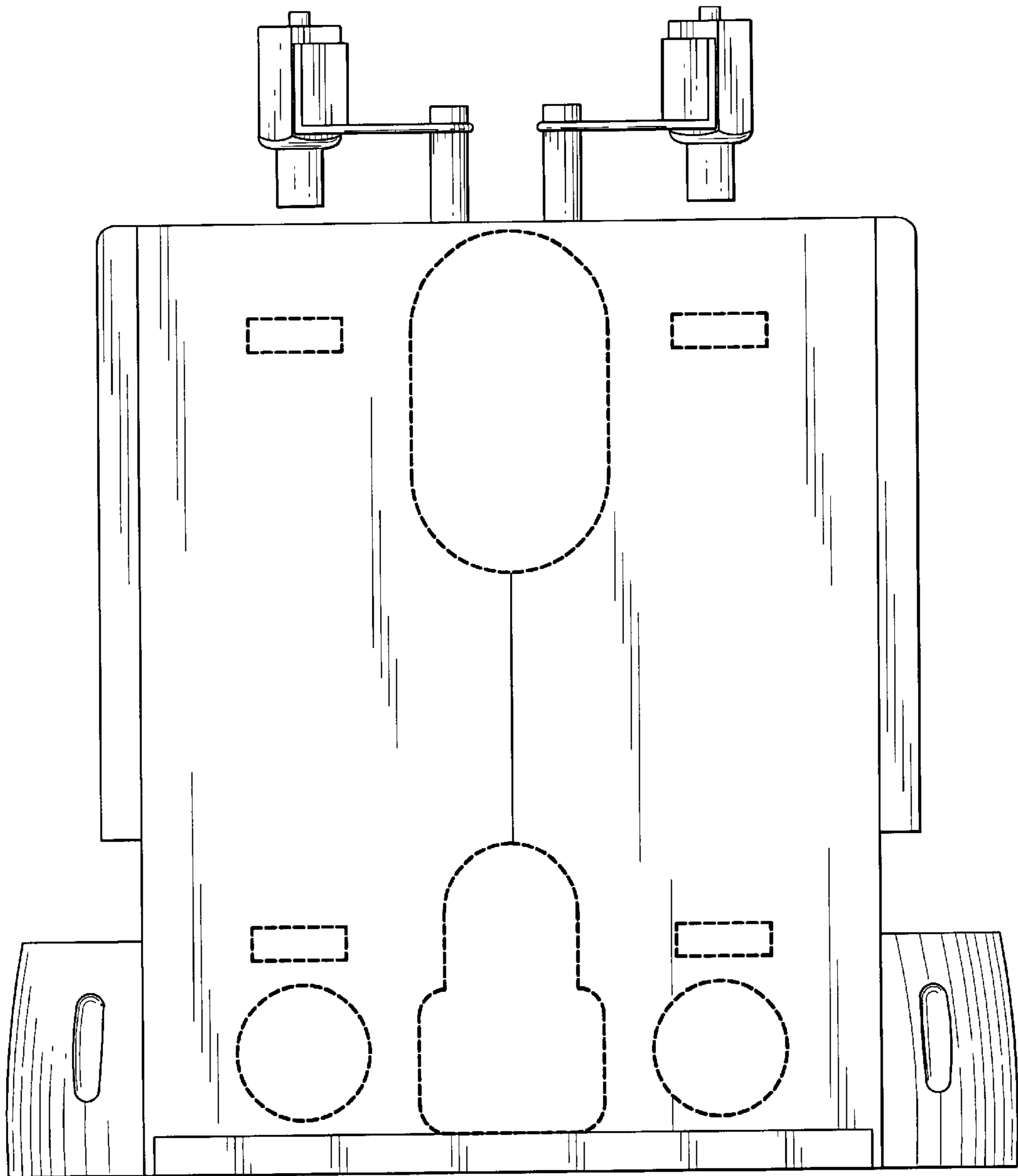


Fig. 3

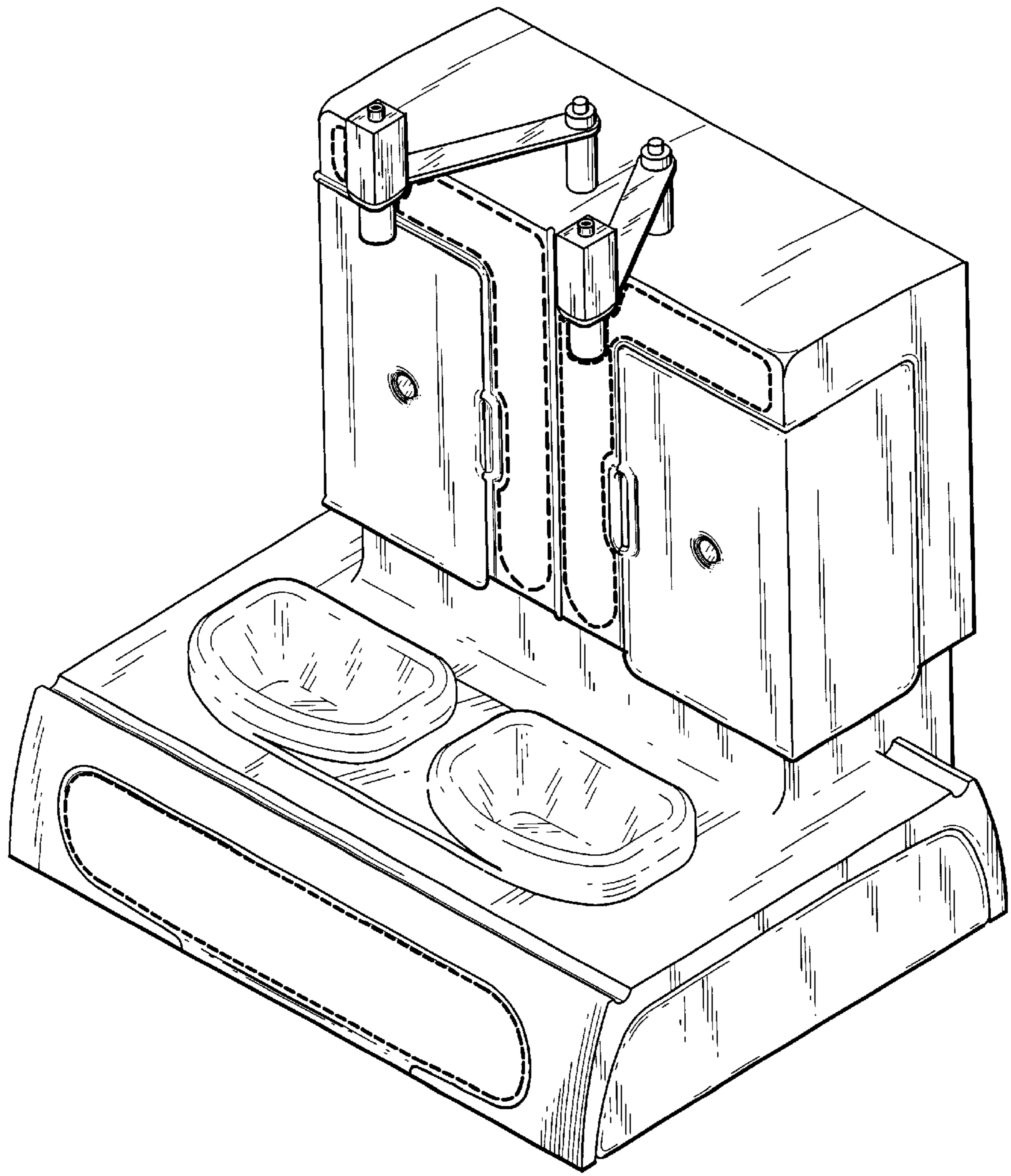


Fig. 4