



US00D453826S

(12) **United States Design Patent**
Hidalgo

(10) **Patent No.:** **US D453,826 S**

(45) **Date of Patent:** **** Feb. 19, 2002**

(54) **COMBINED CEILING FAN HOUSING AND LIGHT FIXTURE**

(75) Inventor: **Rolando Hidalgo**, Orange, CA (US)

(73) Assignee: **Minka Lighting, Inc.**, Corona, CA (US)

(**) Term: **14 Years**

(21) Appl. No.: **29/142,819**

(22) Filed: **Jun. 1, 2001**

(51) **LOC (7) Cl.** **23-04**

(52) **U.S. Cl.** **D23/377**

(58) **Field of Search** D23/377, 379,
D23/385, 411, 413; 416/5; D26/81-88,
59, 51, 72

(56) **References Cited**

U.S. PATENT DOCUMENTS

D271,330 S	*	11/1983	Yung	D23/411
D328,638 S	*	8/1992	Hsieh	D23/377
D392,033 S	*	3/1998	Jaspers-Fayer	D23/411
D396,101 S	*	7/1998	Jaspers-Fayer	D23/377

* cited by examiner

Primary Examiner—Lisa Lichtenstein

(74) *Attorney, Agent, or Firm*—Jenkins & Gilchrist, P.C.

(57) **CLAIM**

The ornamental design for the combined ceiling fan housing and light fixture, as shown and described.

DESCRIPTION

FIG. 1 is a bottom view of the combined ceiling fan housing and light fixture in accordance with my design;

FIG. 2 is a front elevation view of the combined ceiling fan housing and light fixture in accordance with my design;

FIG. 3 is a top view of the combined ceiling fan housing and light fixture in accordance with my design;

FIG. 4 is a side elevation view of the combined ceiling fan housing and light fixture in accordance with my design;

FIG. 5 is an enlarged partial front elevation view of the combined ceiling fan housing and light fixture in accordance with my design; and,

FIG. 6 is an enlarged partial top plan view of the combined ceiling fan housing and light fixture in accordance with my design.

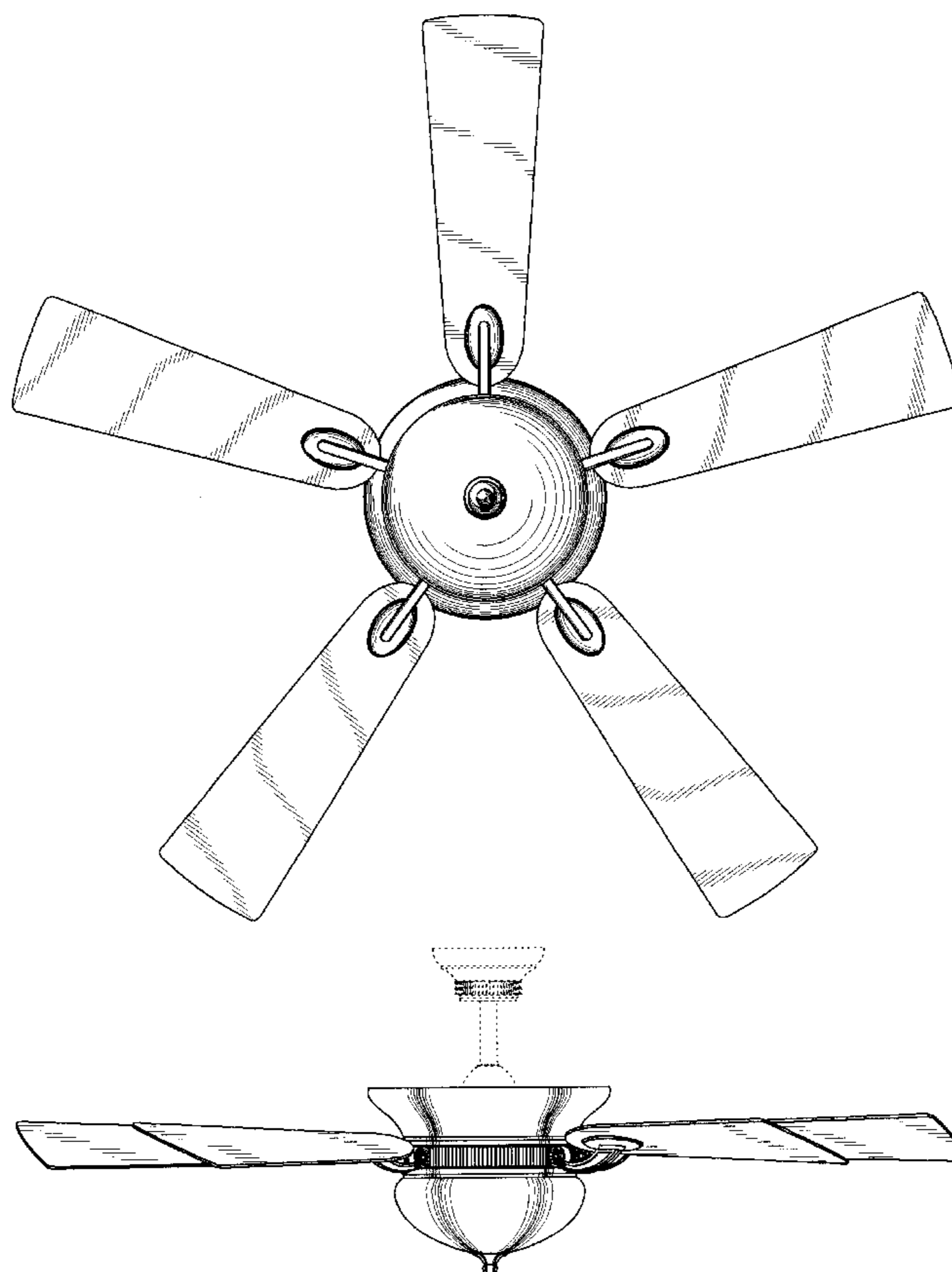
The rear elevational view is substantially identical to the front except for the position of the blades.

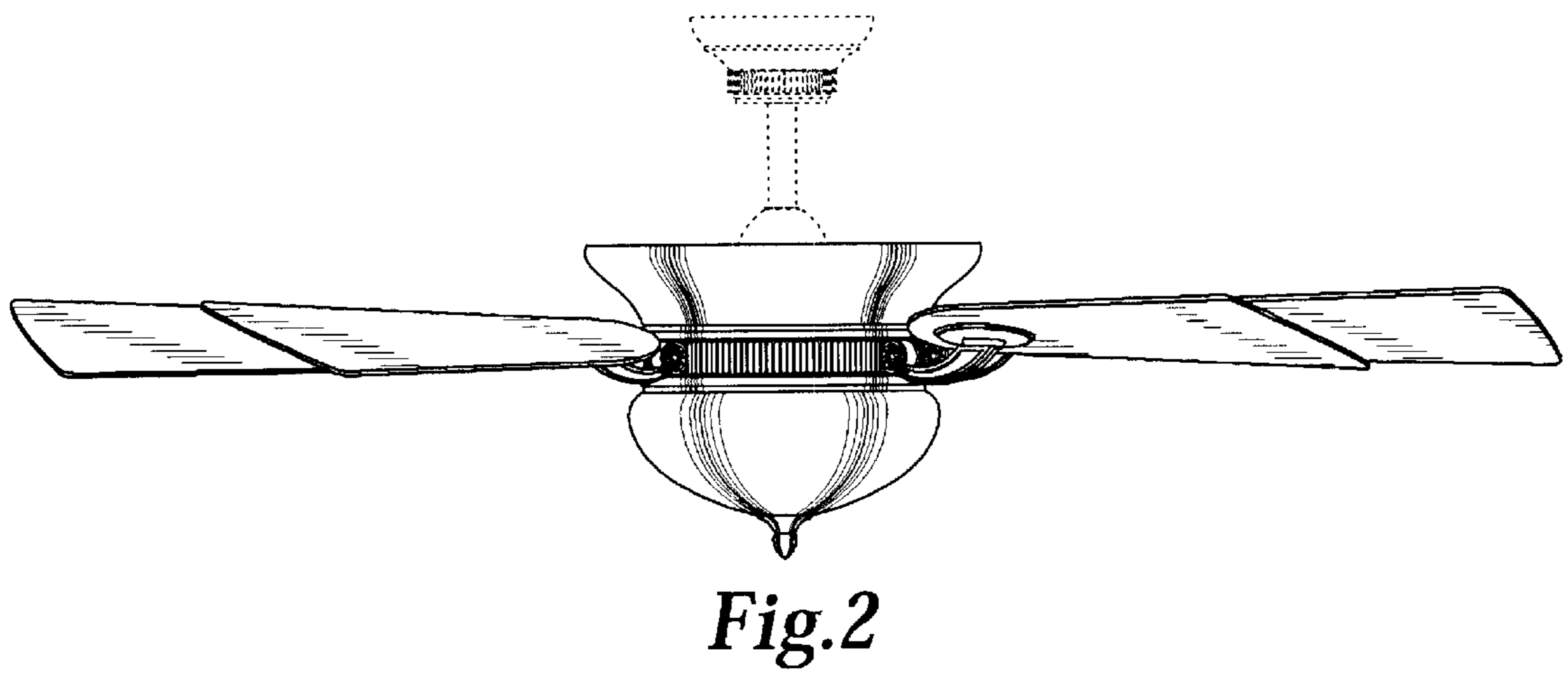
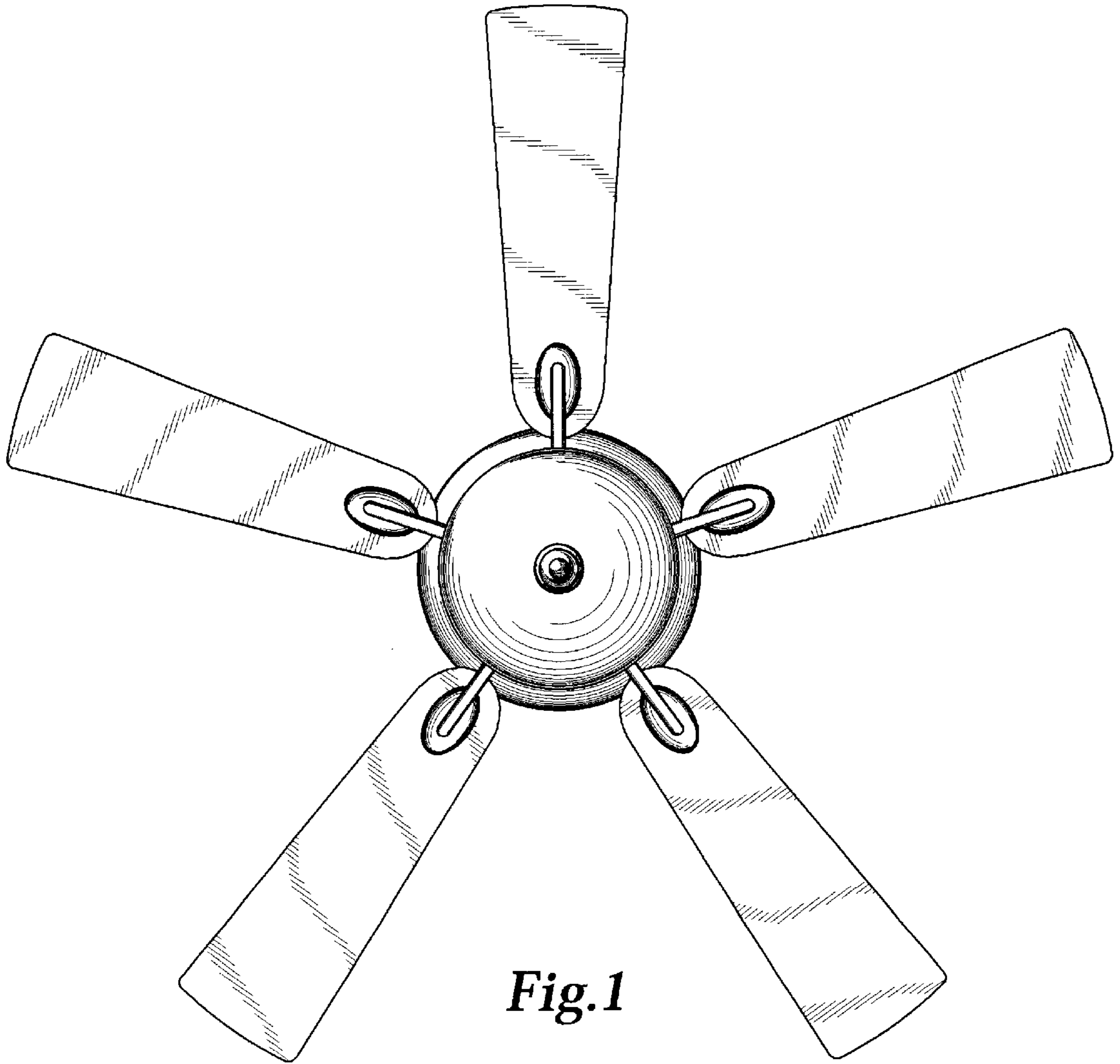
The left and right side elevational views are substantially identical.

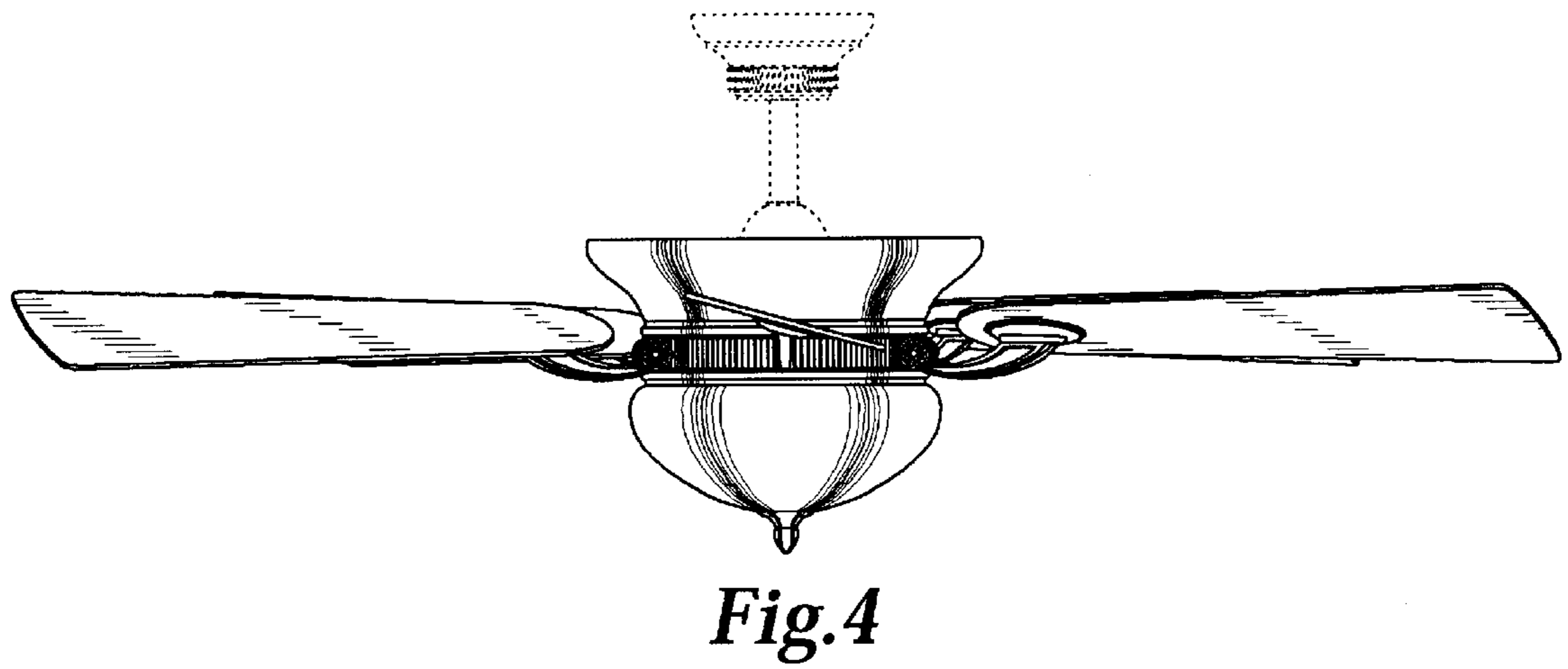
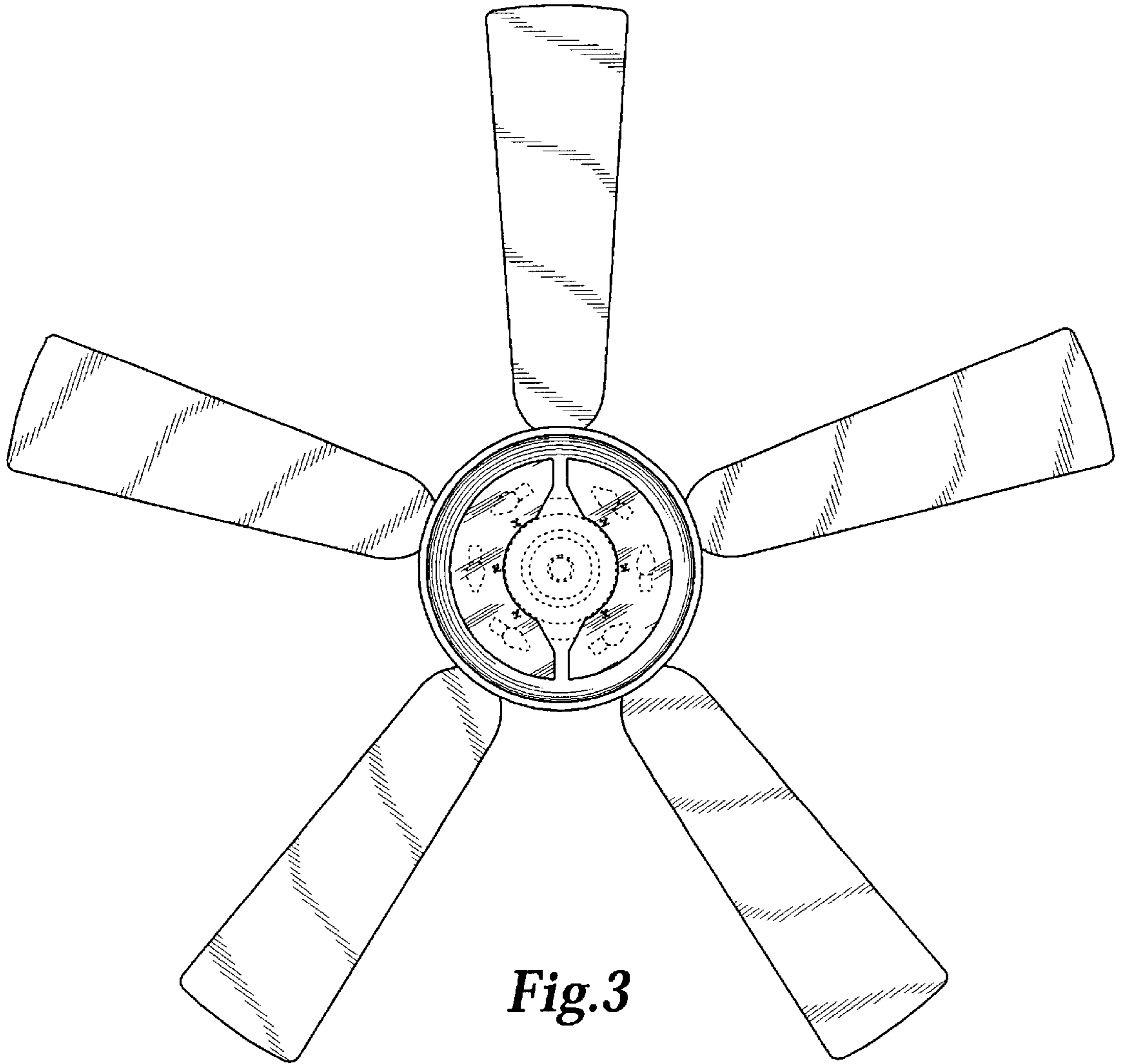
The broken line showing of environmental structure in FIGS. 1-6 is for illustrative purposes only and forms no part of the claimed design.

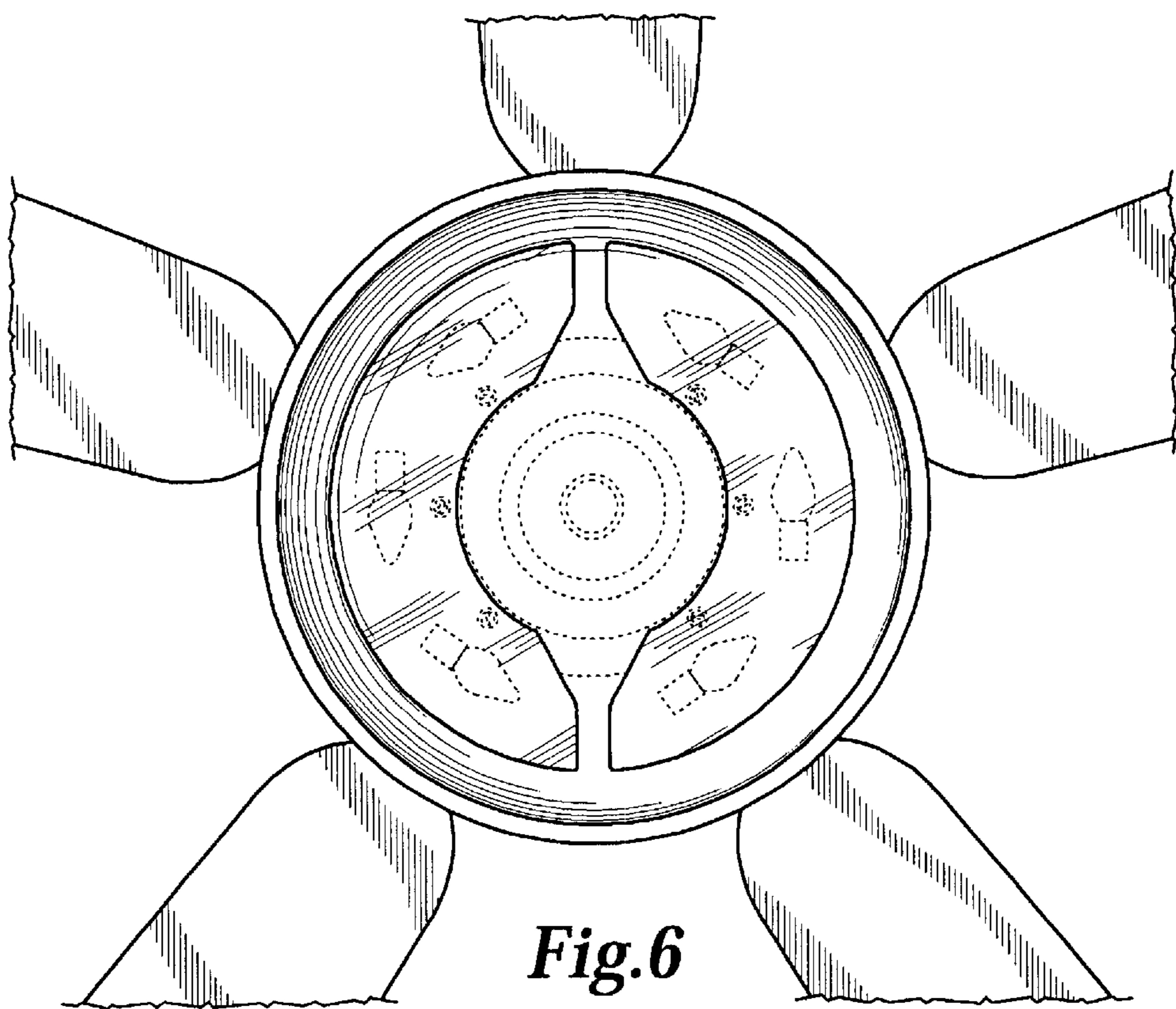
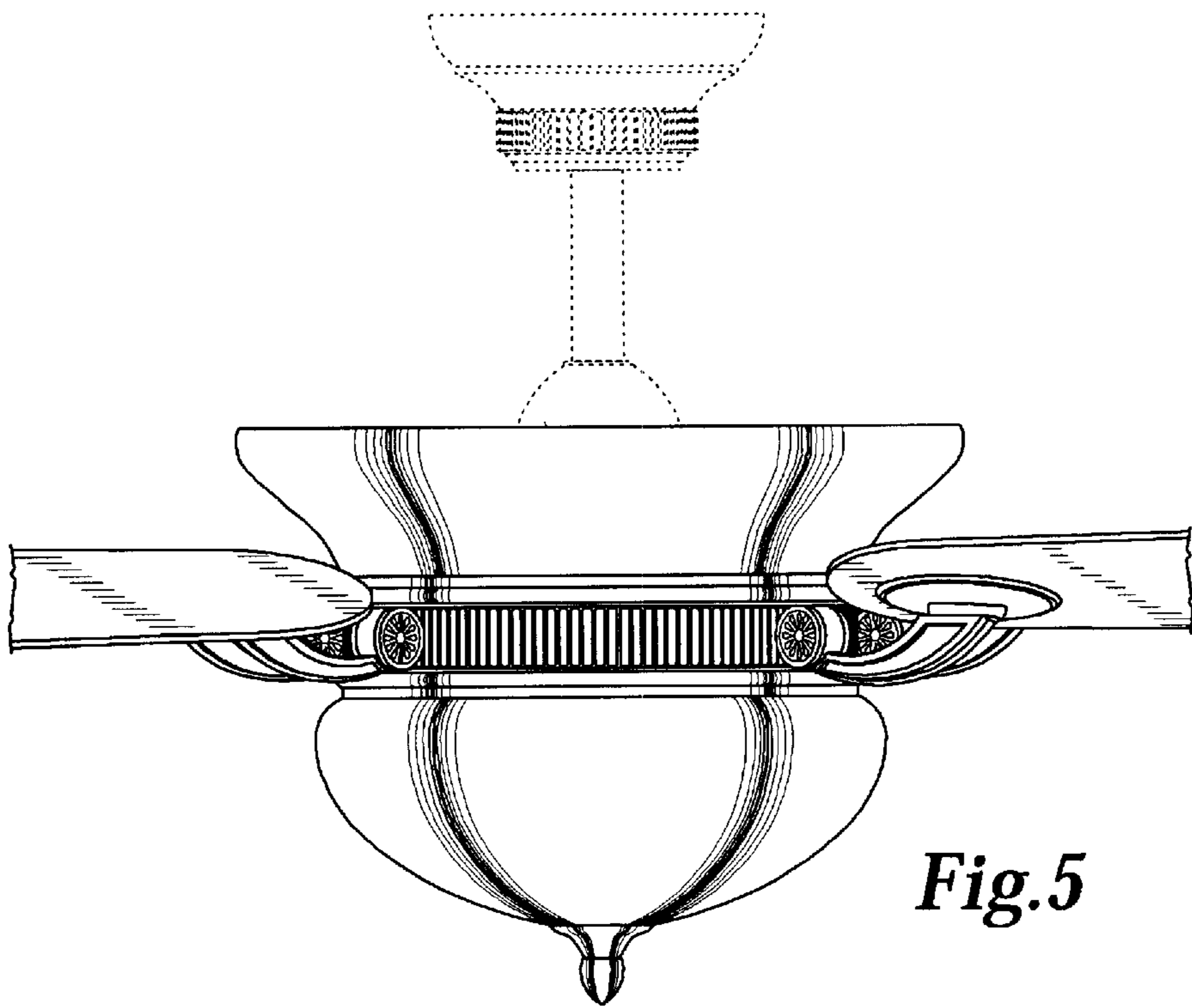
The fan blades in FIGS. 5-6 have been shown broken away for ease of illustration.

1 Claim, 3 Drawing Sheets









Disclaimer

D. 453, 826—Rolando Hidalgo, Orange, CA (US). COMBINED CEILING FAN HOUSING AND LIGHT FIXTURE. Patent dated Feb. 19, 2002. Disclaimer filed Feb. 13, 2006, by the Assignee, Minka Lighting, Inc
Hereby enters this disclaimer to claim 1, of said patent.

(Official Gazette, June 27, 2006)