



US00D453825S

(12) **United States Design Patent**  
**Young**

(10) **Patent No.:** **US D453,825 S**

(45) **Date of Patent:** **\*\* Feb. 19, 2002**

(54) **COMBINED CEILING FAN AND LIGHT  
FIXTURE**

D393,902 S 4/1998 Pickett ..... D23/377  
D399,949 S \* 10/1998 Chou ..... D23/413

(75) **Inventor:** **Stanfield Young**, Cypress, CA (US)

(73) **Assignee:** **Minka Lighting, Inc.**, Corona, CA  
(US)

(\*\*) **Term:** **14 Years**

(21) **Appl. No.:** **29/136,797**

(22) **Filed:** **Feb. 6, 2001**

(51) **LOC (7) Cl.** ..... **23-04**

(52) **U.S. Cl.** ..... **D23/377**

(58) **Field of Search** ..... D23/377, 379,  
D23/385, 411, 412; 416/5; D26/59, 51,  
72, 81-86; 362/96

(56) **References Cited**

**U.S. PATENT DOCUMENTS**

D82,179 S	9/1930	Ringwald	
3,033,049 A	5/1962	Morrow	
4,123,198 A	10/1978	Harbord	416/243
4,358,245 A	11/1982	Gray	416/189
D270,942 S	10/1983	McCain	D23/379
D295,555 S	5/1988	Greenberg	D23/385
D304,229 S	10/1989	Rezek	D23/377
D305,059 S	12/1989	Miranda et al.	D23/377
D312,688 S	12/1990	Mason	D23/377
D314,046 S	1/1991	Yen	D23/377
D322,310 S	12/1991	Chen	D23/377
D323,028 S	1/1992	Holbrook	D23/377
5,297,931 A	3/1994	Yapp et al.	415/208.1
D357,978 S	* 5/1995	Young	D23/377
D361,377 S	* 8/1995	Tsuji	D23/377
D380,539 S	7/1997	Liu	D23/377

**OTHER PUBLICATIONS**

Minka Lighting, Inc.; MinkaAire: The Art of Air Manage-  
ment; Apr. 25, 1995; p. 15; Published U.S.A.

Minka Lighting, Inc.; MinkaAire Two Thousand; Dec. 1,  
1999; pp. 6-7, 59; Published in U.S.A.

Minka Lighting, Inc.; MinkaAire Two Thousand One; Oct.  
5, 2000; pp. 6-7, 14-15; Published in U.S.A.

Japanese Patent No. 62-199997 by Kaoru Watanabe.

\* cited by examiner

*Primary Examiner*—Lisa Lichtenstein

(74) *Attorney, Agent, or Firm*—Jenkins & Gilchrist, P.C.

(57) **CLAIM**

The ornamental design for the combined ceiling fan and  
light fixture, as shown and described.

**DESCRIPTION**

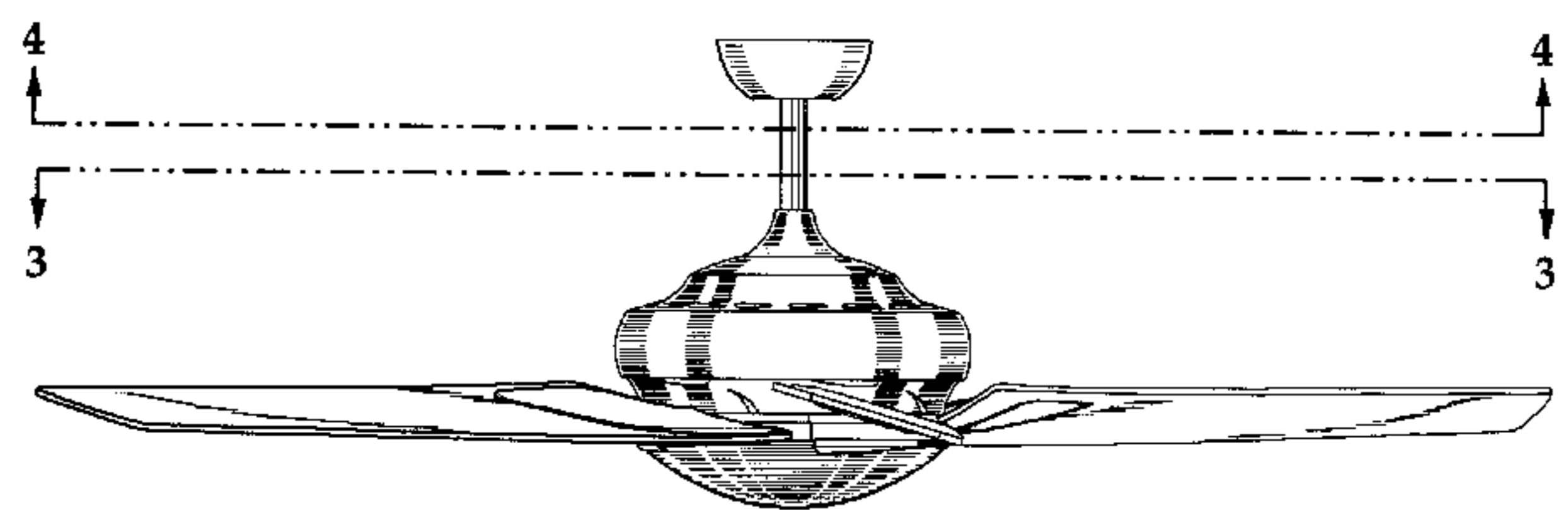
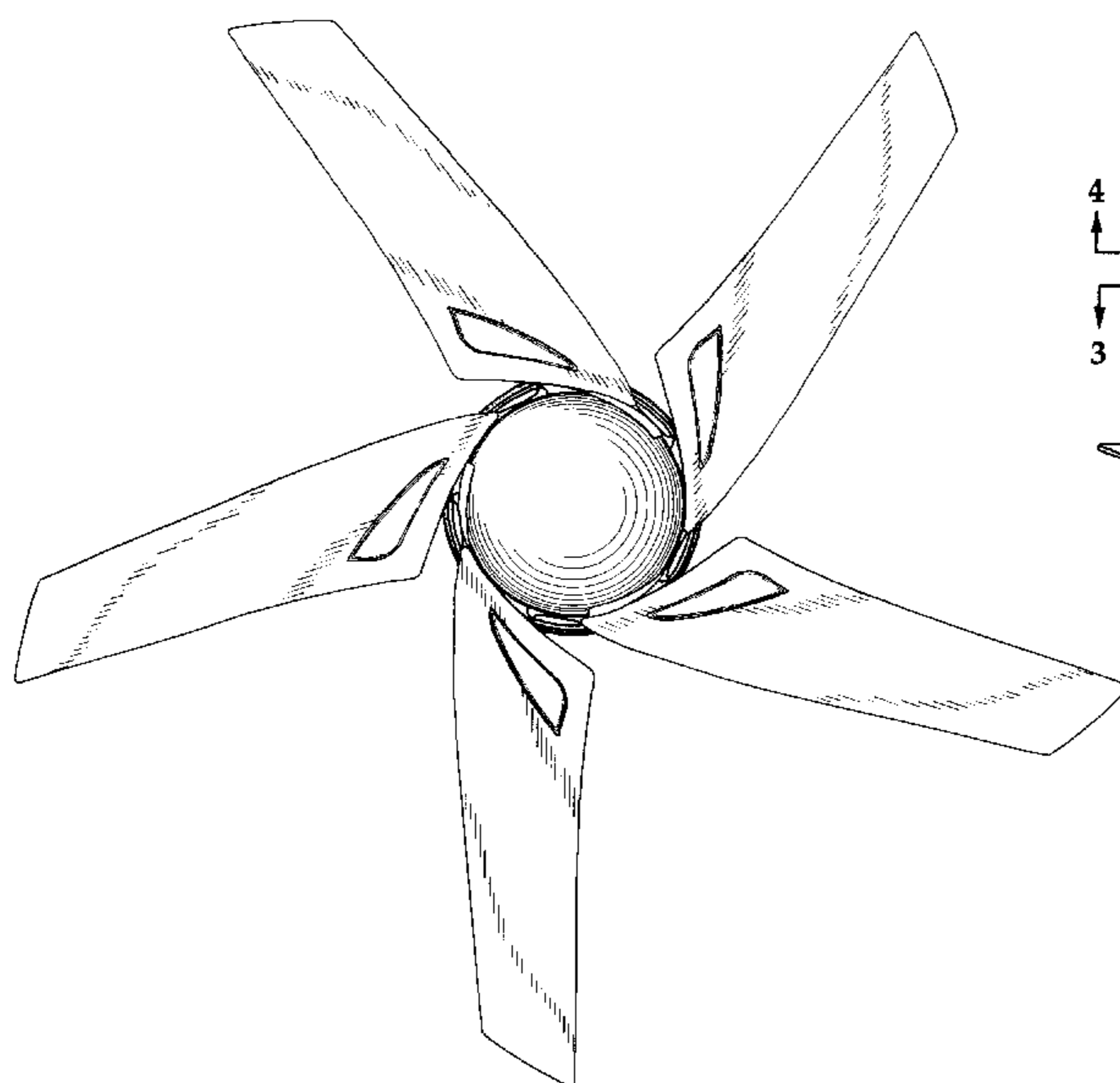
FIG. 1 is a bottom plan view of the combined ceiling fan and  
light fixture in accordance with my design;

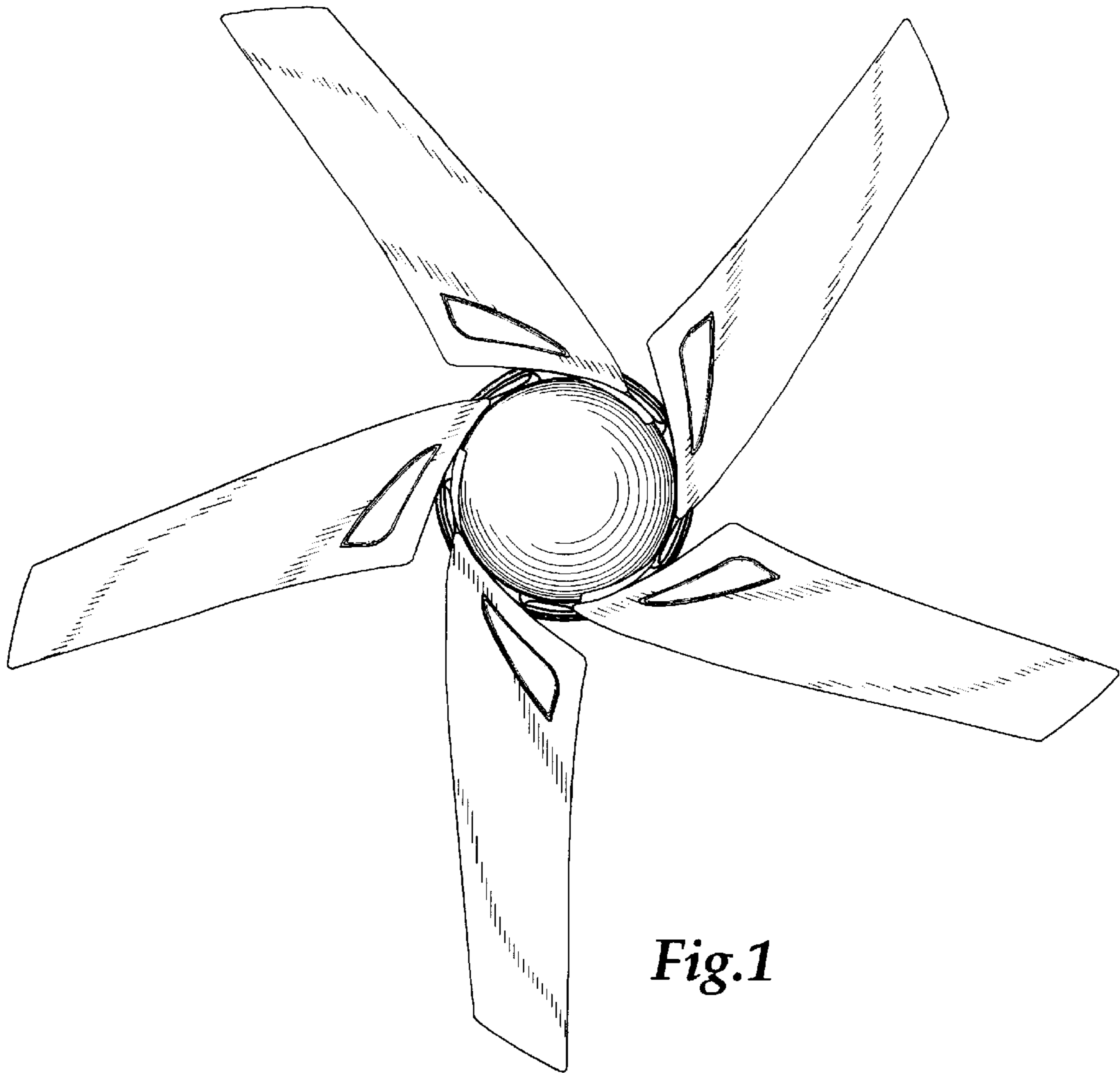
FIG. 2 is a front elevation view of the combined ceiling fan  
and light fixture in accordance with my design, the other  
sides being substantially identical to that shown except for  
the position of the blades;

FIG. 3 is a top plan view of the combined ceiling fan and  
light fixture in accordance with my design taken along line  
3-3 in FIG. 2; and,

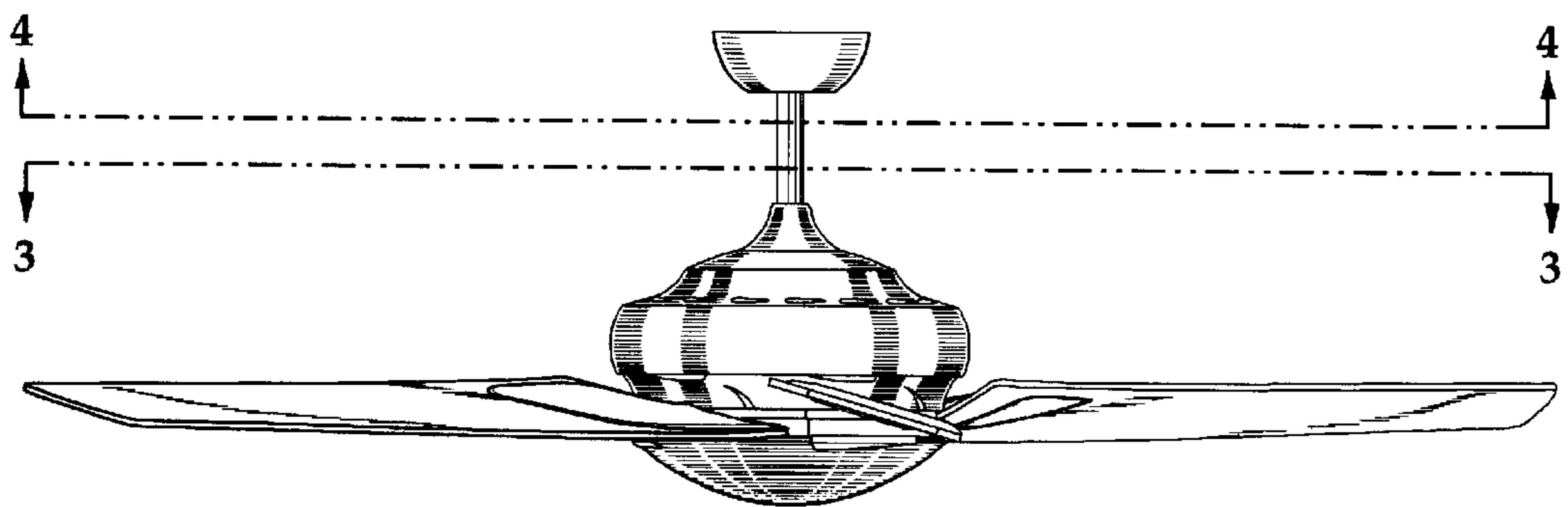
FIG. 4 is a bottom plan view of the cover for the ceiling fan  
bracket of the combined ceiling fan and light fixture in  
accordance with my design taken along line 4-4 in FIG. 2.

**1 Claim, 2 Drawing Sheets**



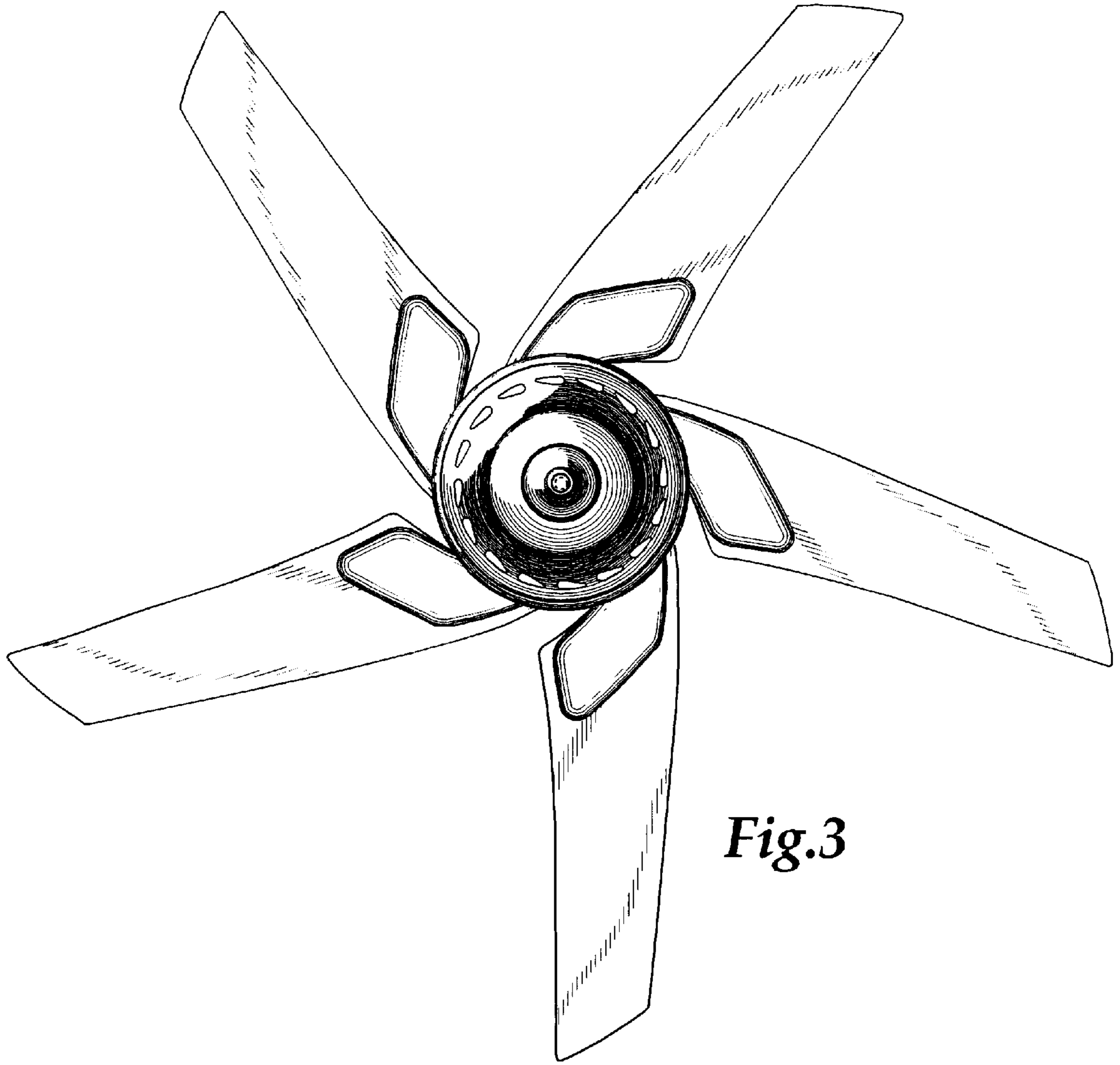


*Fig.1*

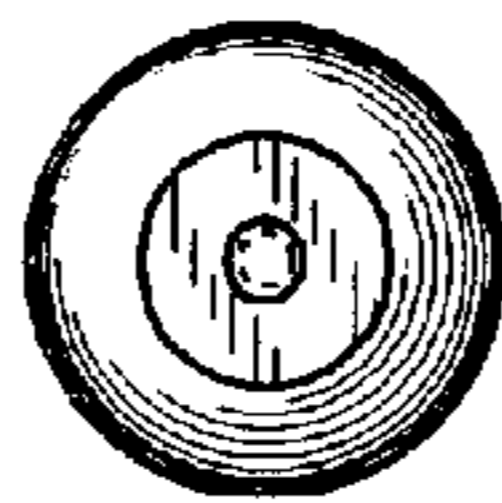


*Fig.2*

P



*Fig.3*



*Fig.4*