



US00D453823S

(12) **United States Design Patent**
Wagner

(10) **Patent No.:** **US D453,823 S**

(45) **Date of Patent:** **** Feb. 19, 2002**

(54) **VEHICLE PET VENTILATOR**

(76) Inventor: **Henry A. Wagner**, 212 Fisher Hill Rd.,
Corning, NY (US) 14830-9211

(**) Term: **14 Years**

(21) Appl. No.: **29/144,780**

(22) Filed: **Jul. 11, 2001**

(51) **LOC (7) Cl.** **23-04**

(52) **U.S. Cl.** **D23/370**

(58) **Field of Search** D23/370; 454/271,
454/131

(56) **References Cited**

U.S. PATENT DOCUMENTS

1,744,154 A	1/1930	Bettag	
4,172,494 A	10/1979	Saulters	
4,463,790 A	8/1984	Clapsaddle	
4,945,820 A *	8/1990	Fukuda	454/231
5,014,607 A	5/1991	Johnson	
5,094,151 A	3/1992	Bernard	
5,101,711 A	4/1992	Durbin	

* cited by examiner

Primary Examiner—Lisa Lichtenstein
(74) *Attorney, Agent, or Firm*—Donald R. Schoonover

(57) **CLAIM**

The ornamental design for a vehicle pet ventilator, as shown and described.

DESCRIPTION

FIG. 1 is a perspective view of the vehicle pet ventilator embodying the design of the present invention.

FIG. 2 is a front elevational view thereof;

FIG. 3 is a rear elevational view thereof;

FIG. 4 is a side elevational view thereof, the opposite side being a mirror image of that shown;

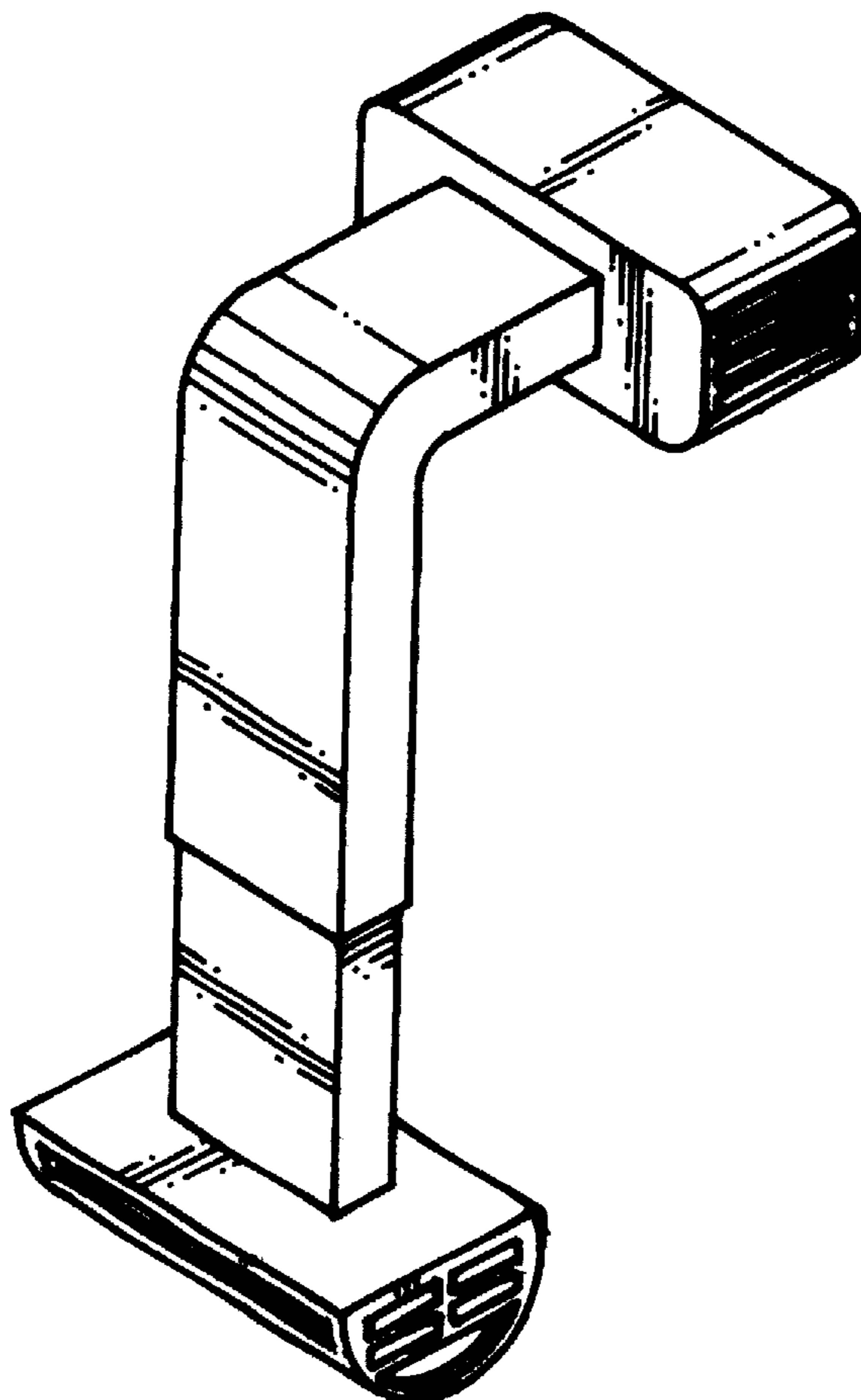
FIG. 5 is a top plan view thereof;

FIG. 6 is a bottom plan view thereof; and,

FIG. 7 is a perspective view thereof on a reduced scale shown in use.

The broken line showing of environment is for illustrative purposes only and forms no part of the claimed design.

1 Claim, 4 Drawing Sheets



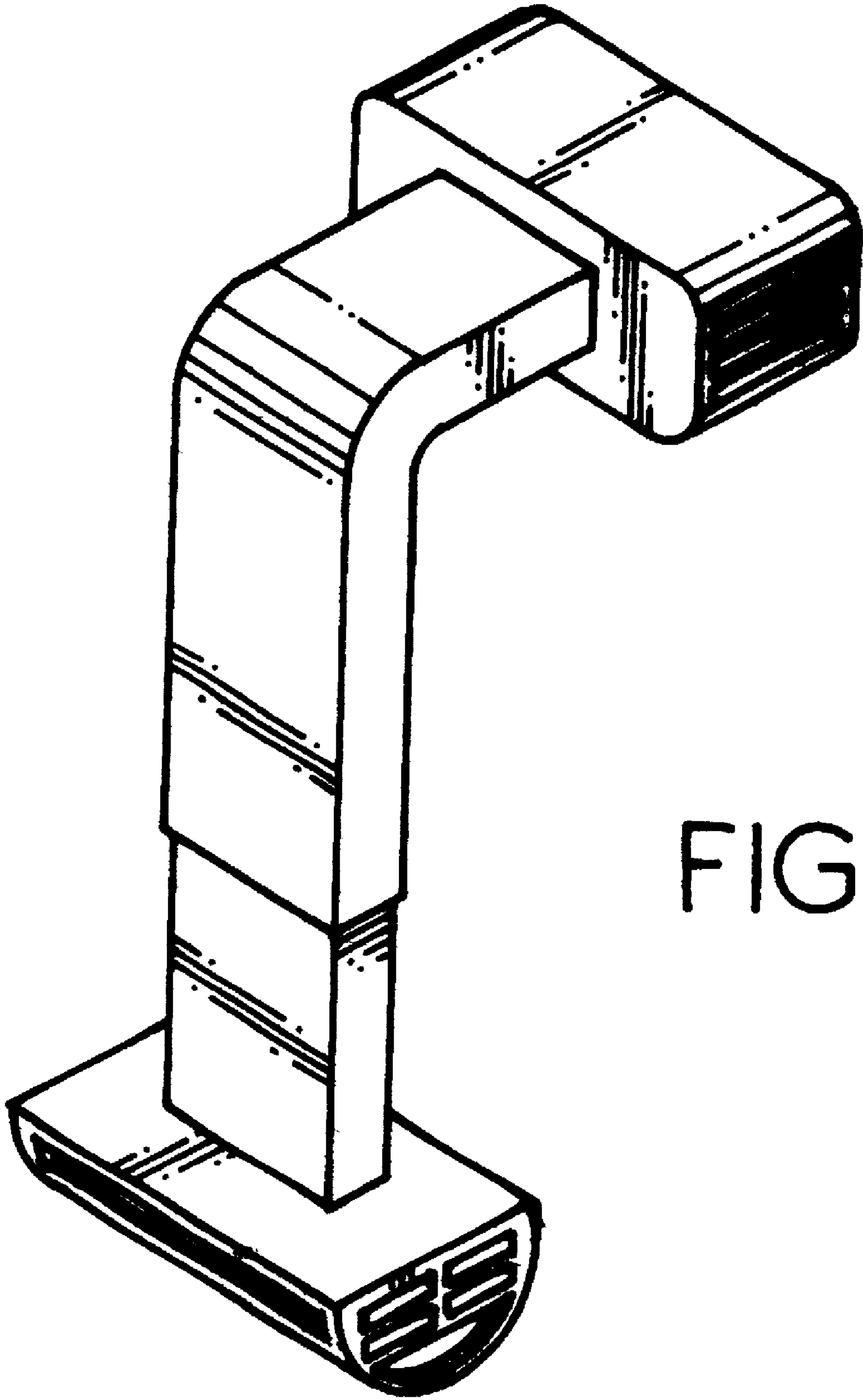


FIG. 1.

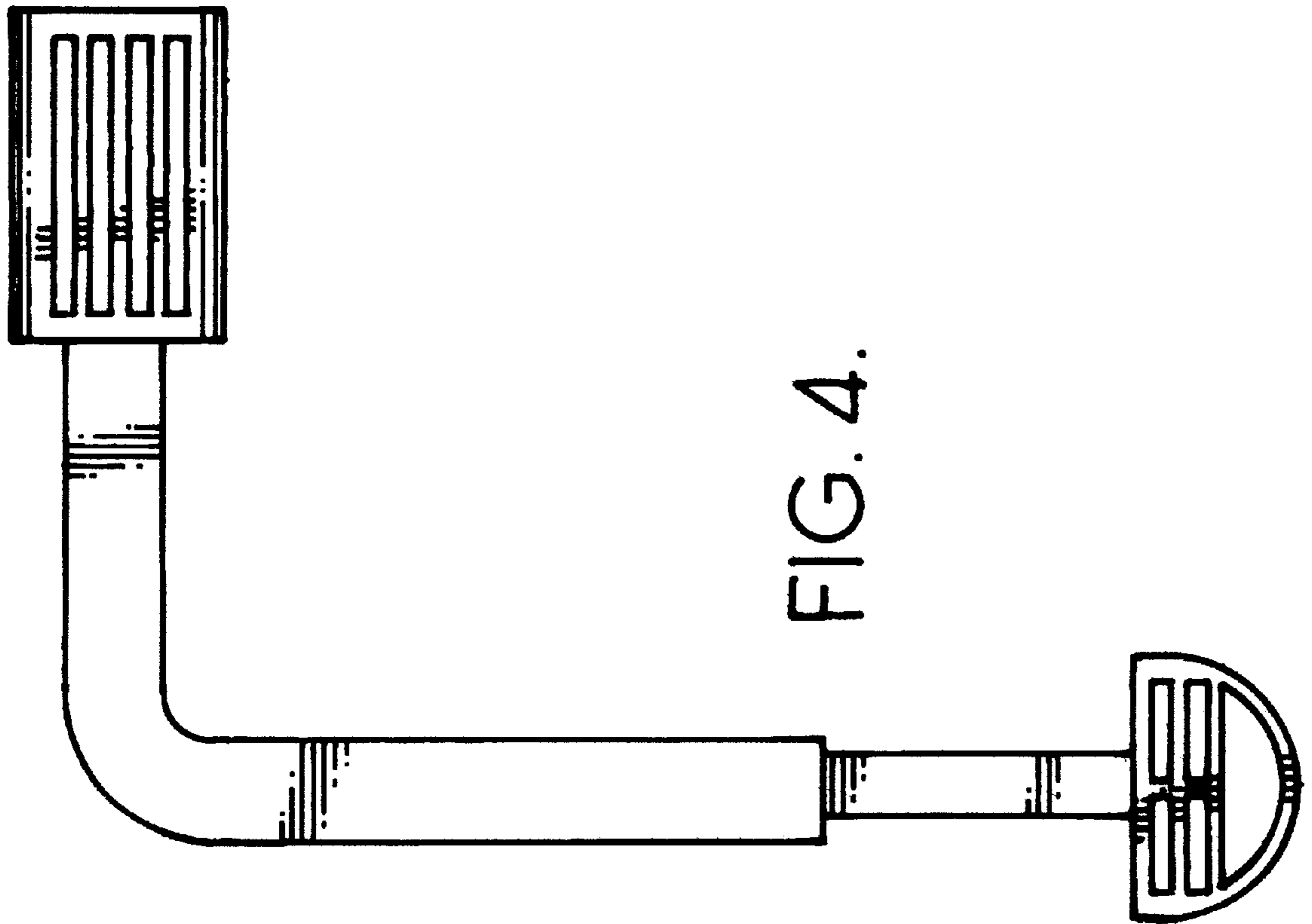


FIG. 4.

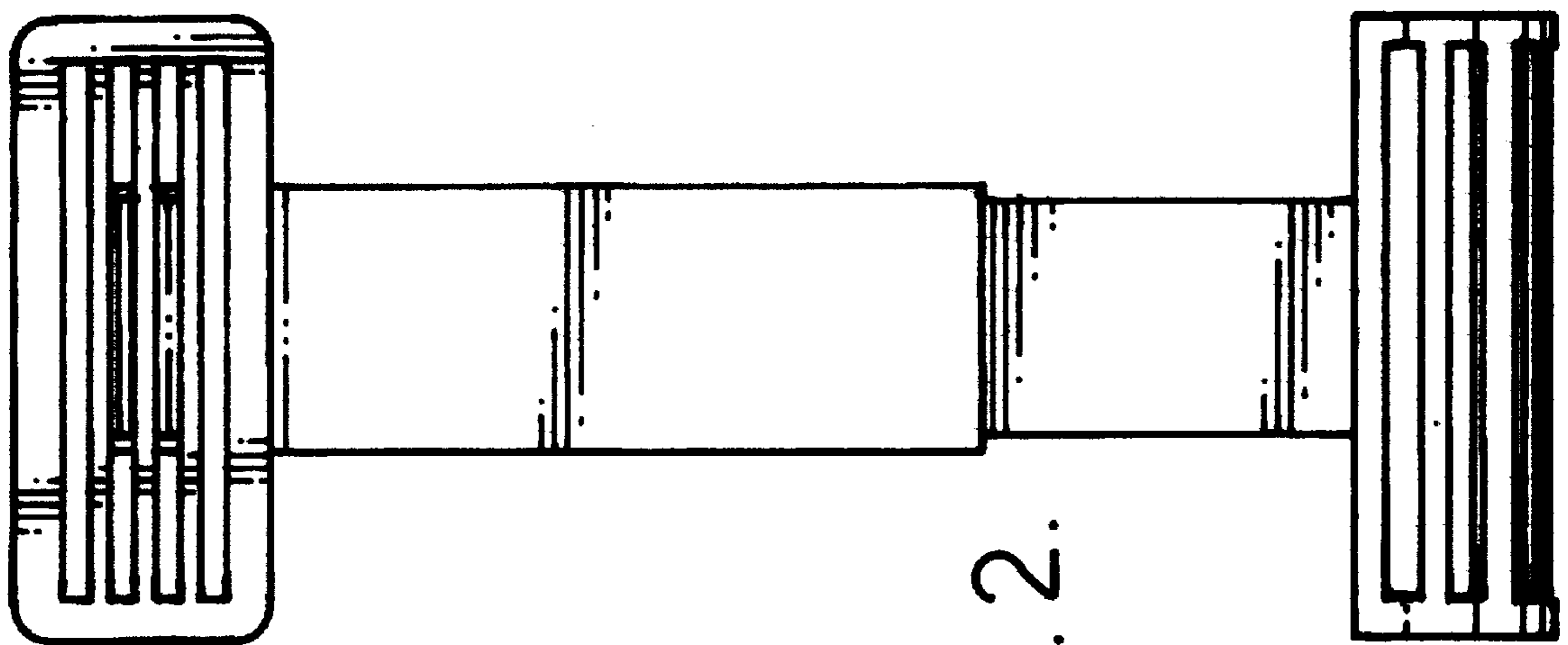


FIG. 2.

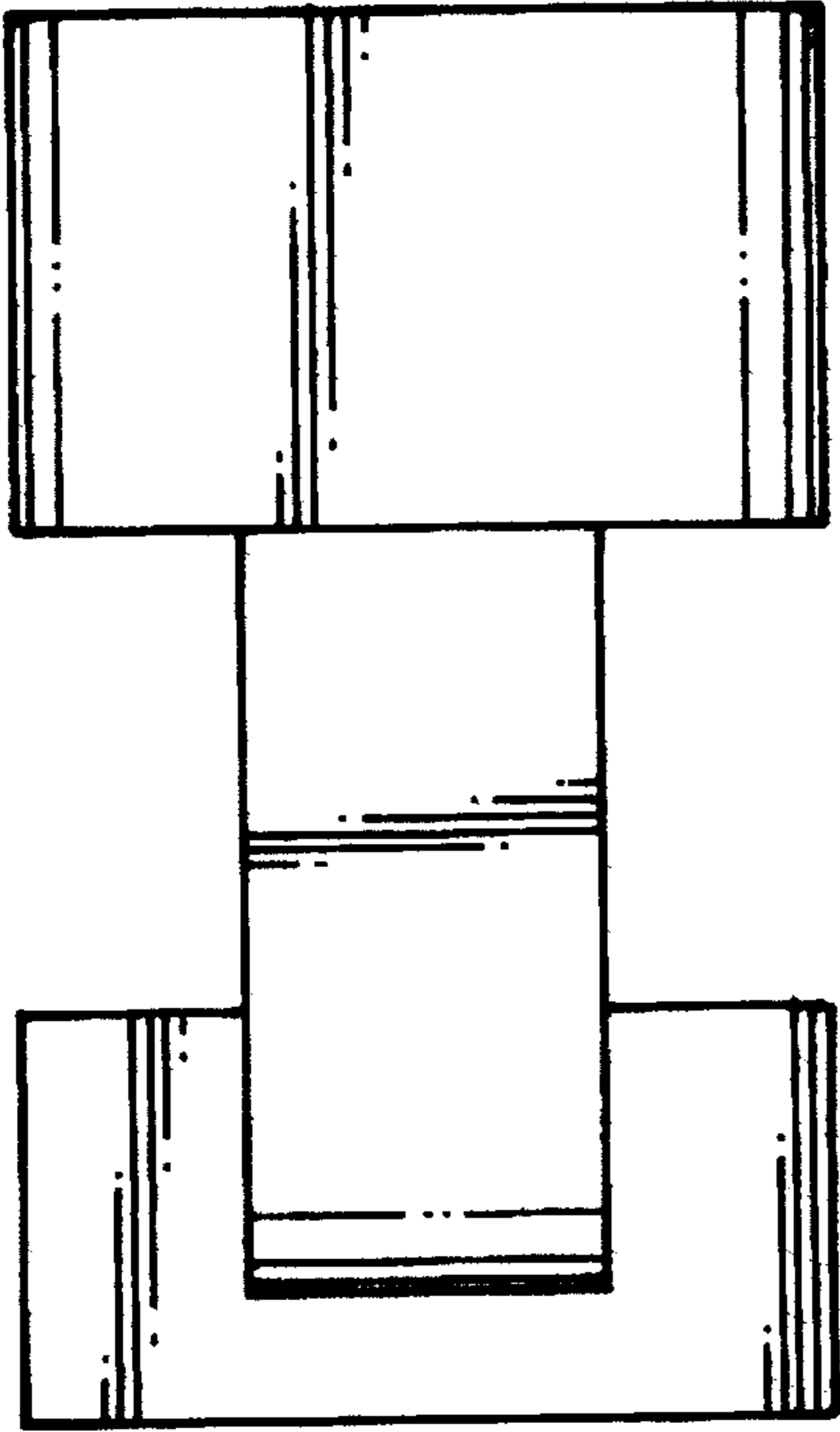


FIG. 5

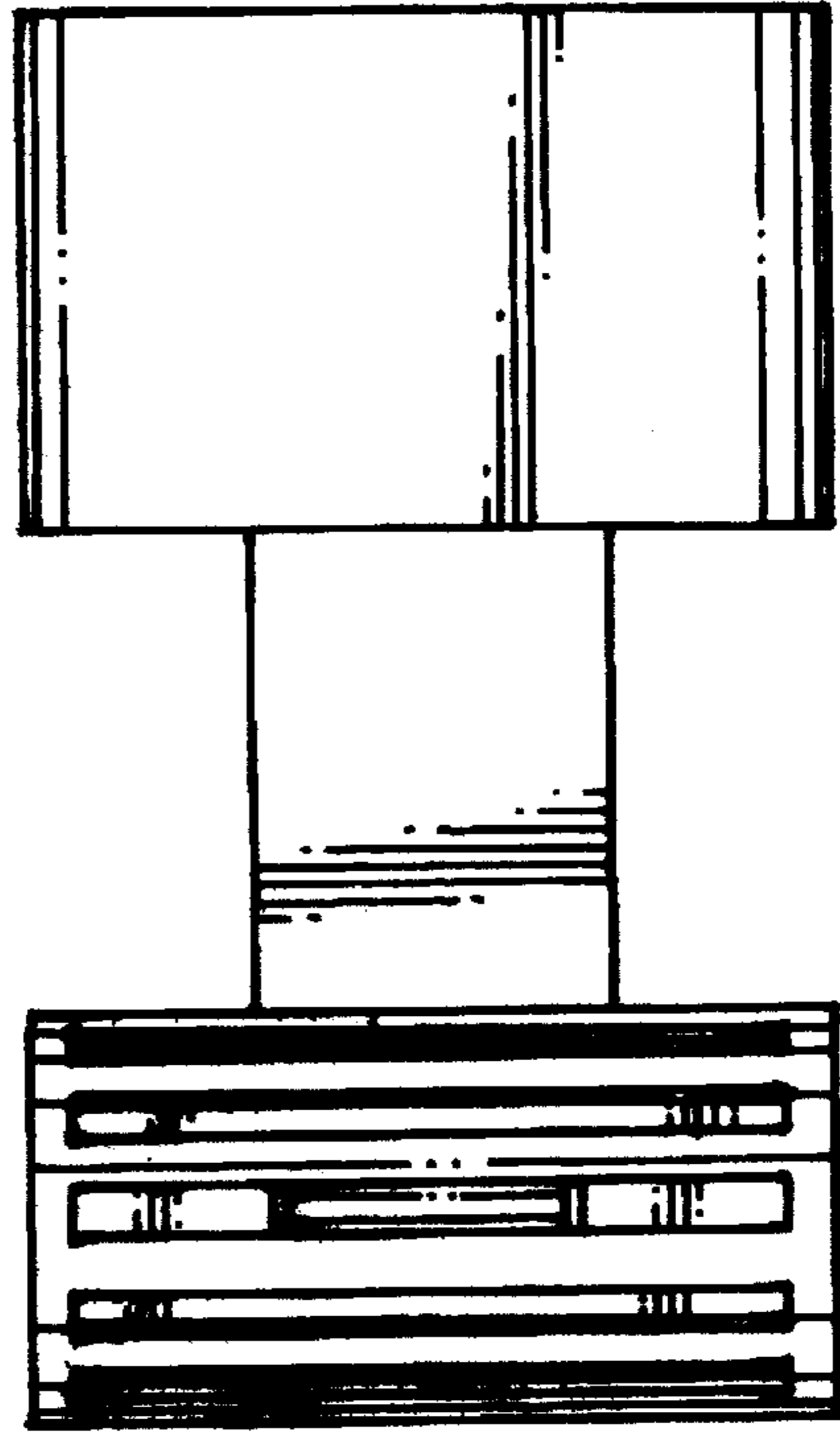


FIG. 6.

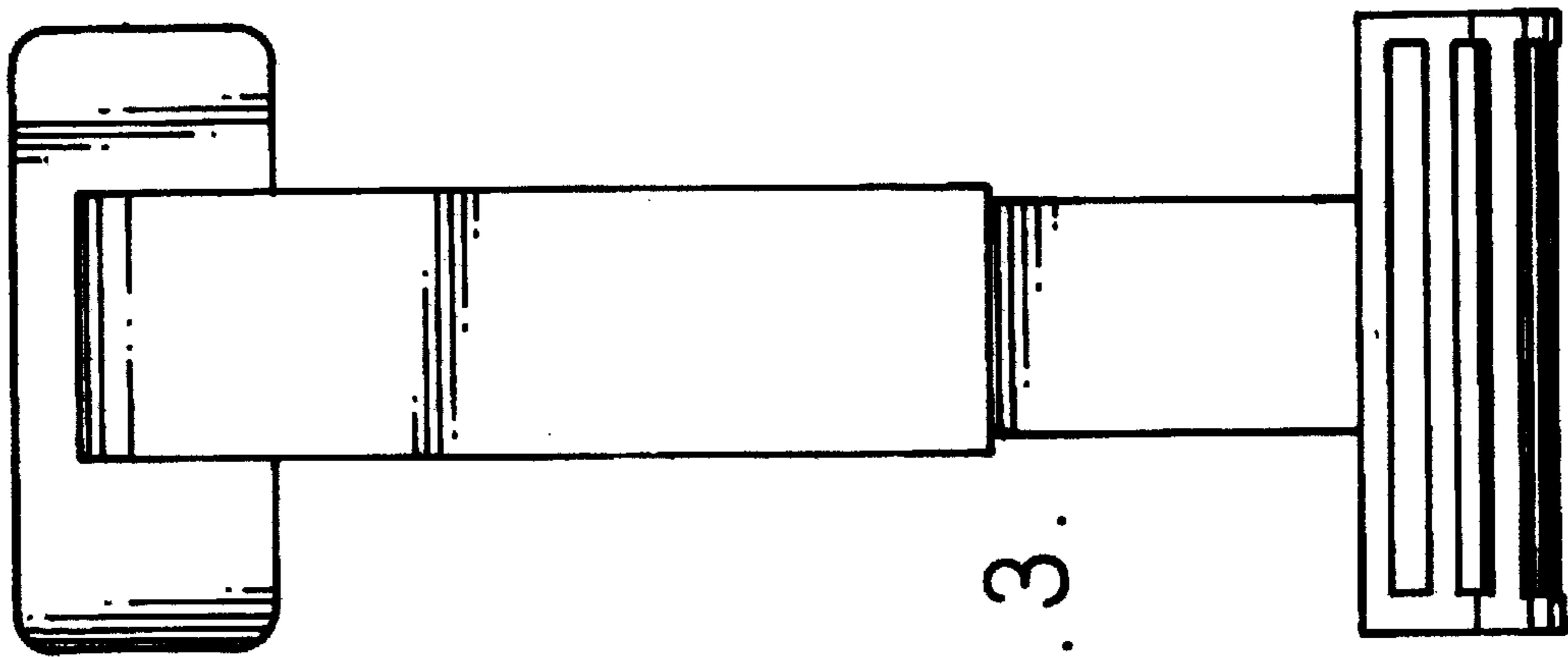


FIG. 3.

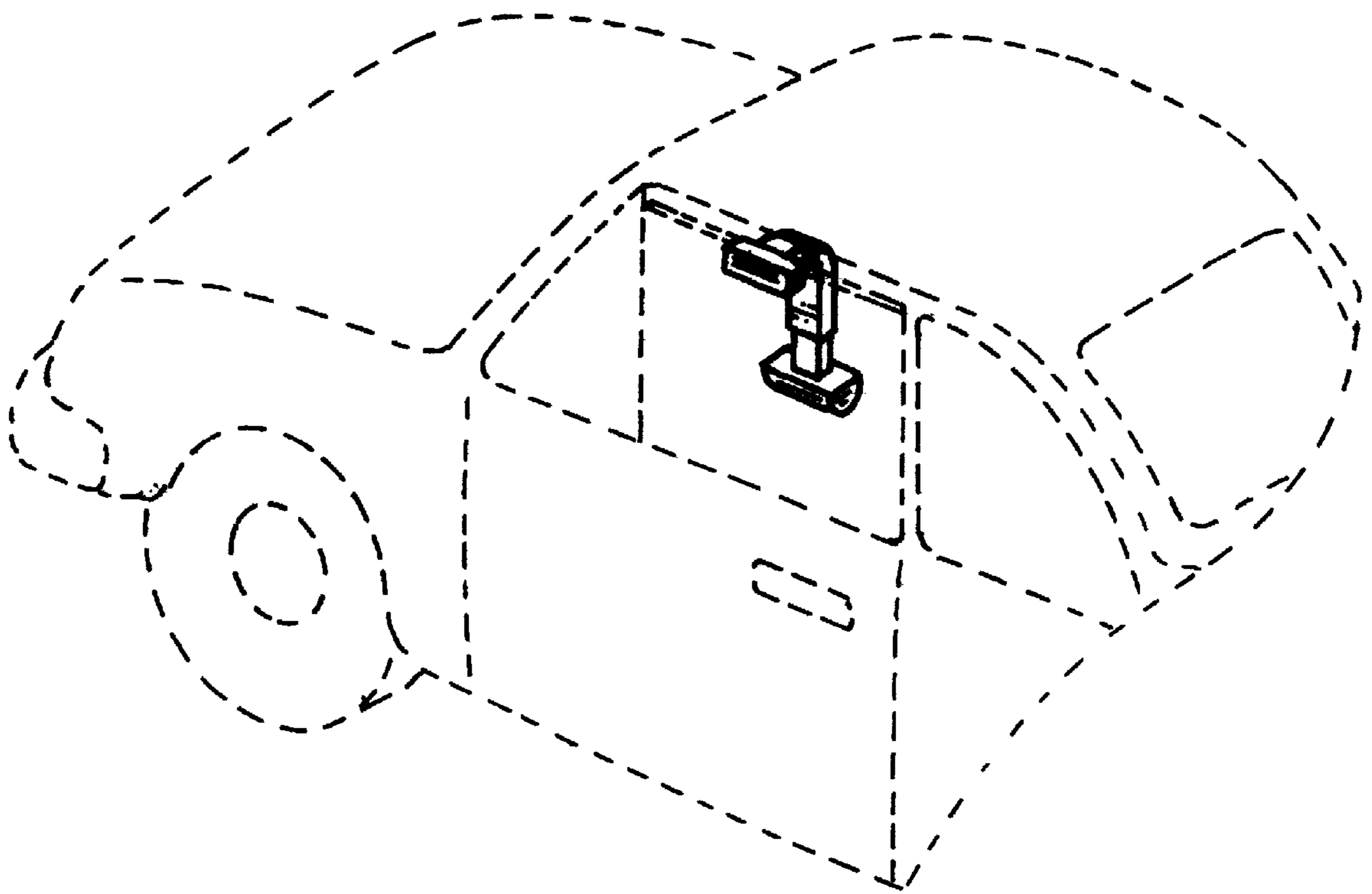


FIG. 7.