



US00D453822S

(12) **United States Design Patent** (10) **Patent No.:** **US D453,822 S**
Meeks et al. (45) **Date of Patent:** **** Feb. 19, 2002**

(54) **CONTROLLED HUMIDITY HOLDING CABINET**

(75) Inventors: **James W. Meeks**, Arcanum; **Robert T. Wood**, Tipp City, both of OH (US)

(73) Assignee: **Henny Penny Corporation**, Eaton, OH (US)

(**) Term: **14 Years**

(21) Appl. No.: **29/126,167**

(22) Filed: **Jul. 12, 2000**

Related U.S. Application Data

(63) Continuation-in-part of application No. 29/111,317, filed on Sep. 28, 1999, now Pat. No. Des. 435,096.

(51) **LOC (7) Cl.** **23-04**

(52) **U.S. Cl.** **D23/356; D23/356**

(58) **Field of Search** **D23/355, 356, D23/363; 261/DIG. 65, 96, 97, 224, 16; 219/387, 385, 386; 239/57, 55, 58; 165/48.1, 26; 99/374; 312/236**

(56) **References Cited**

U.S. PATENT DOCUMENTS

- 2,860,225 A 11/1958 Steen
- 3,516,485 A * 6/1970 Rhoads et al. 165/48.1
- 3,908,749 A 9/1975 Williams
- 4,093,041 A 6/1978 Davis et al.
- 4,180,125 A 12/1979 Schulz et al.
- 4,210,675 A 7/1980 Liebermann
- 4,224,862 A 9/1980 Liebermann
- 4,278,697 A 7/1981 Liebermann

- 4,345,143 A 8/1982 Craig et al.
- 4,346,756 A 8/1982 Dodd et al.
- 5,086,693 A 2/1992 Tippmann et al.
- 5,159,973 A 11/1992 Pennington et al.
- 5,201,364 A 4/1993 Tippmann et al.
- 5,203,258 A 4/1993 Tippmann et al.
- 5,404,935 A 4/1995 Liebermann
- 5,724,886 A 3/1998 Ewald et al.

* cited by examiner

Primary Examiner—Lisa Lichtenstein

(74) *Attorney, Agent, or Firm*—Baker Botts L.L.P.

(57) **CLAIM**

The ornamental design for a controlled humidity holding cabinet, as shown and described.

DESCRIPTION

FIG. 1 is a perspective front view of a controlled humidity holding cabinet, according to our design.

FIG. 2 is a perspective rear view of the controlled humidity holding cabinet of FIG. 1.

FIG. 3 is a frontal view of the controlled humidity holding cabinet of FIG. 1.

FIG. 4 is a rear view of the controlled humidity holding cabinet of FIG. 1.

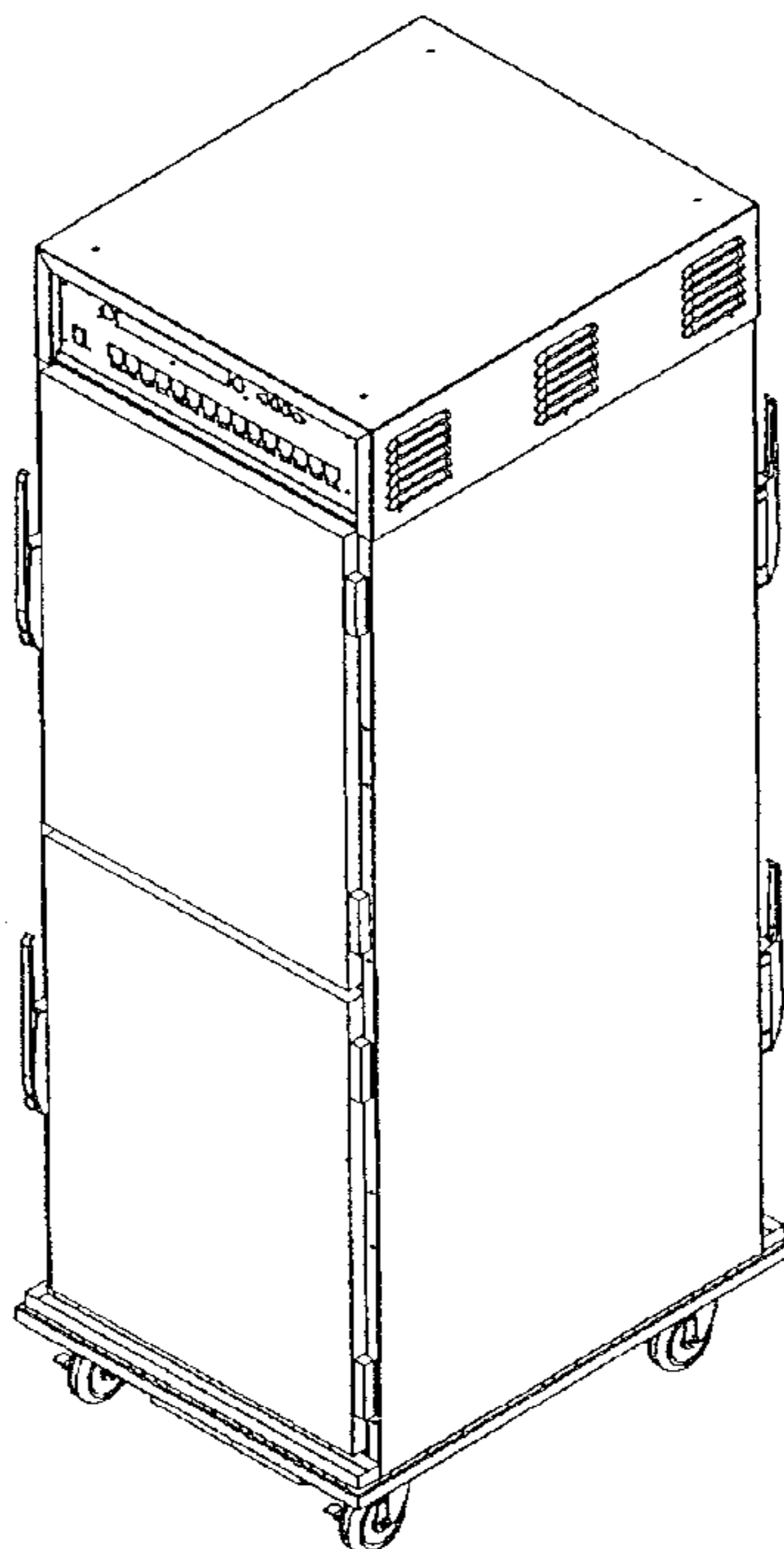
FIG. 5 is a side view of the controlled humidity holding cabinet of FIG. 1.

FIG. 6 is a second side view of the controlled humidity holding cabinet of FIG. 1.

FIG. 7 is an overhead view of the controlled humidity holding cabinet of FIG. 1; and,

FIG. 8 is a bottom view of the controlled humidity holding cabinet of FIG. 1.

1 Claim, 8 Drawing Sheets



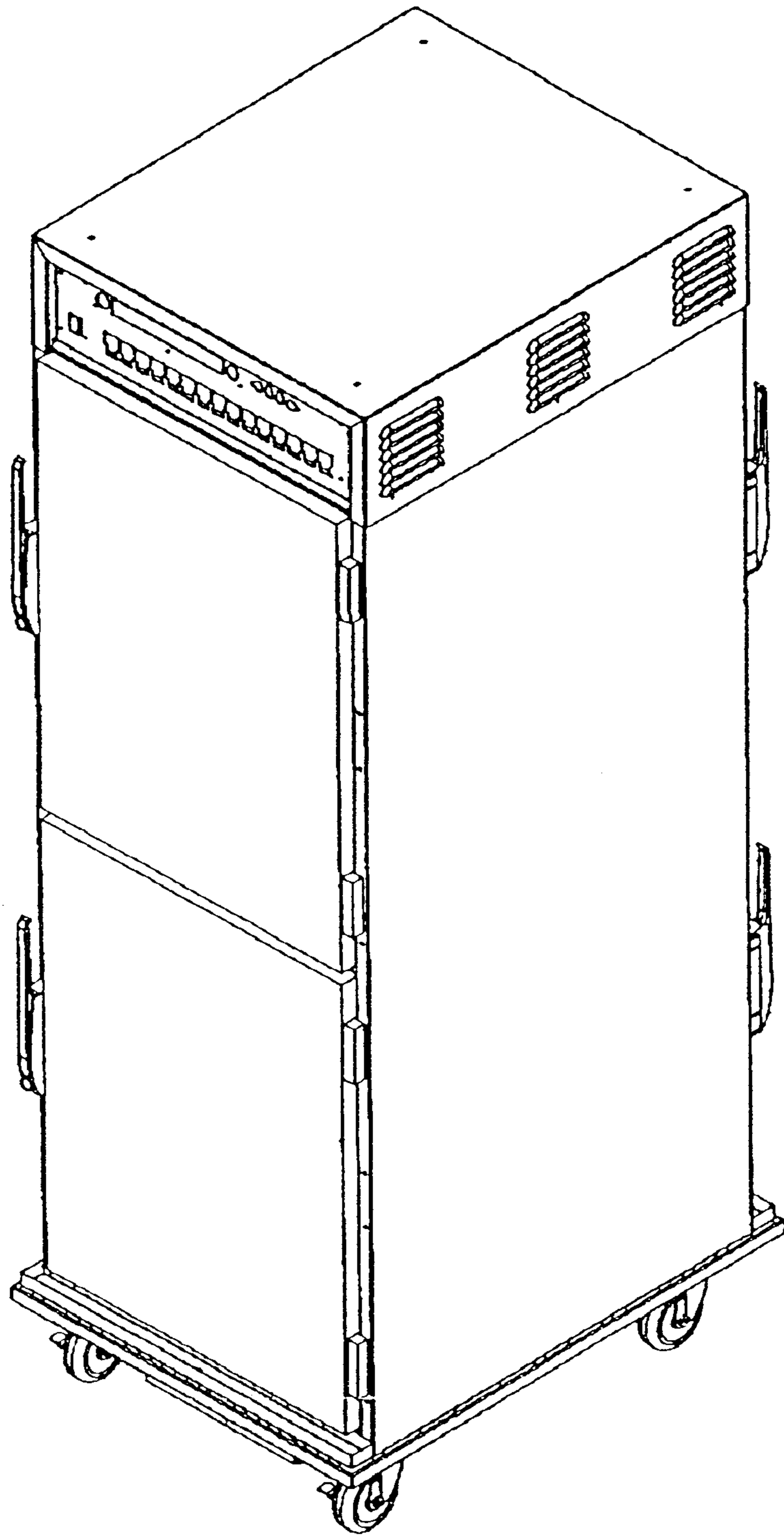


Fig. 1

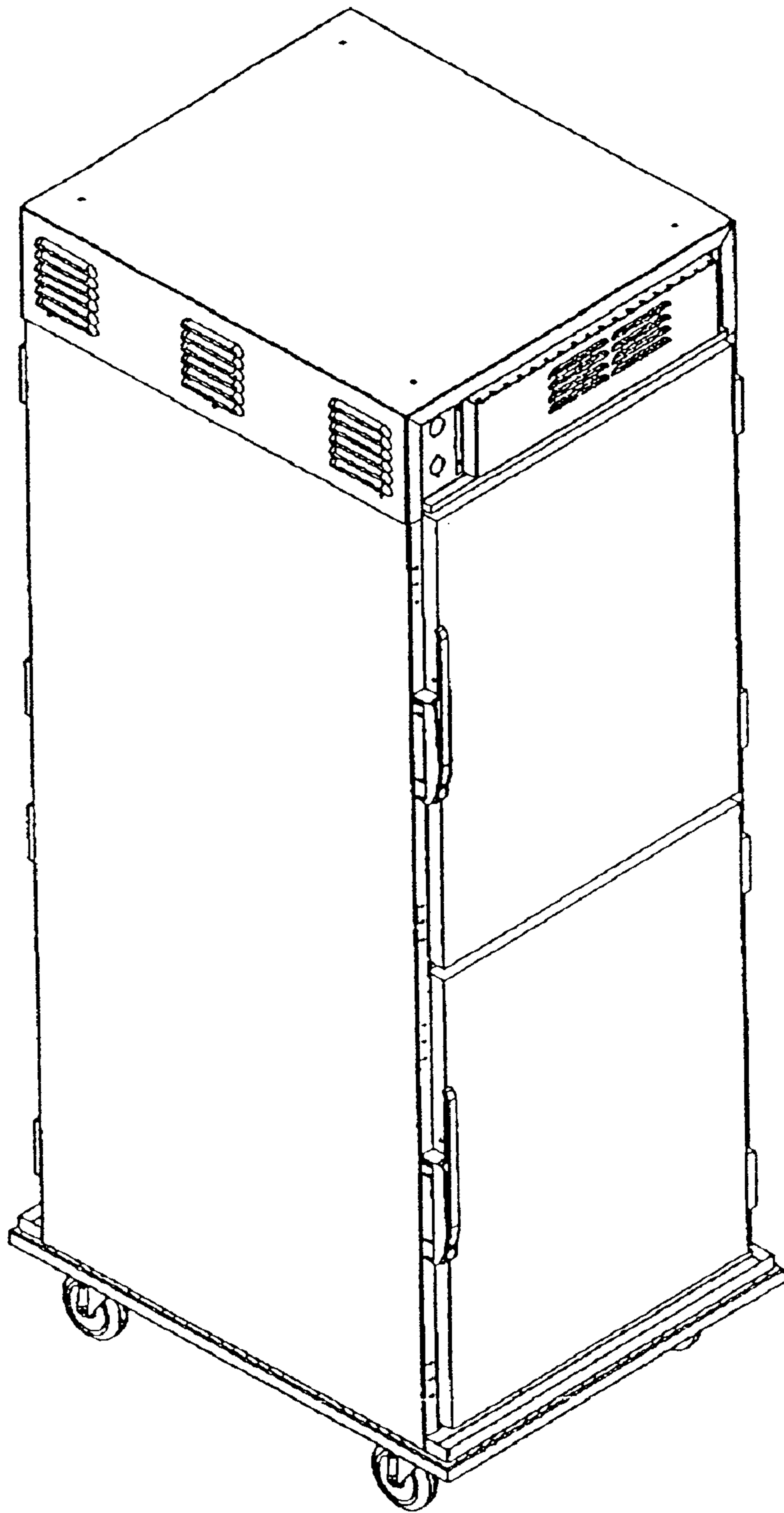


Fig. 2

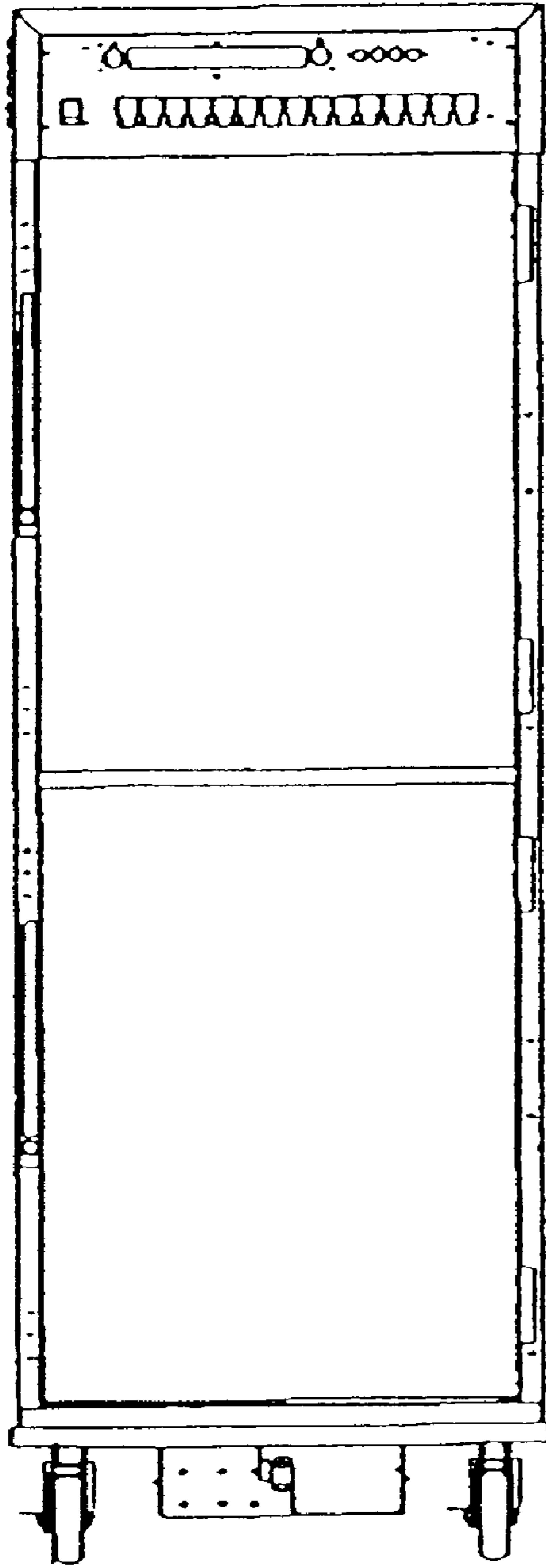


Fig. 3

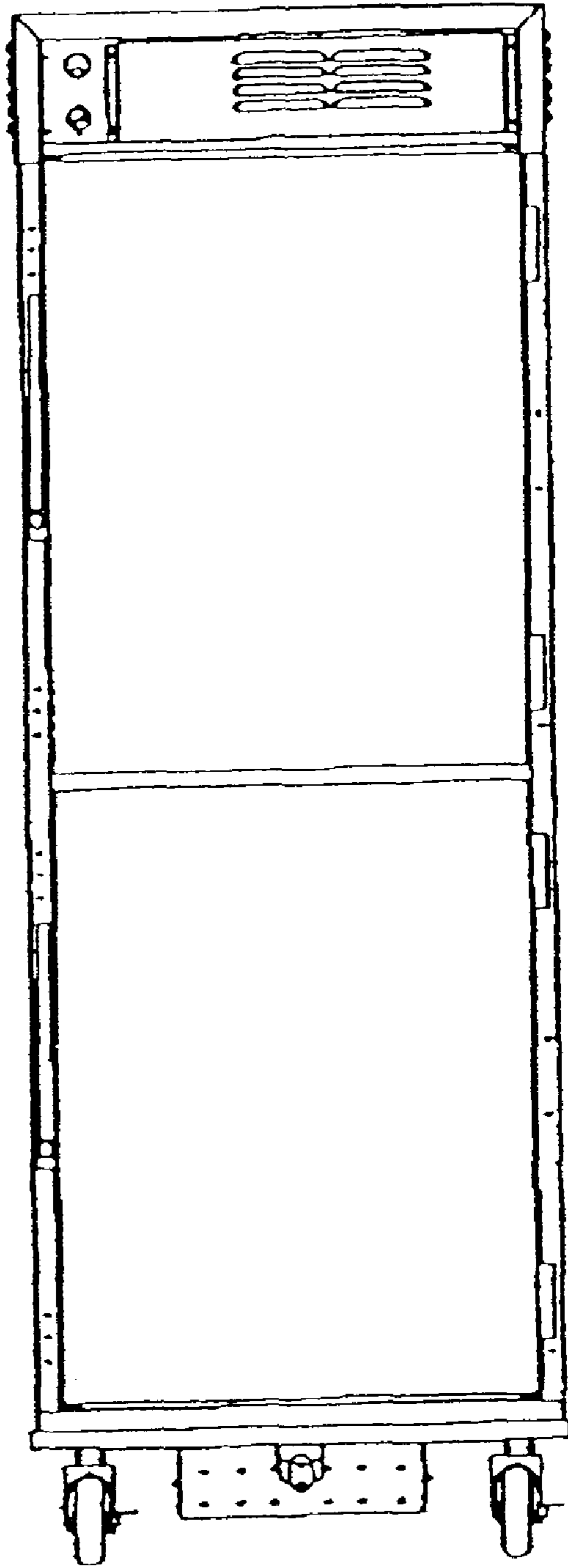


Fig. 4

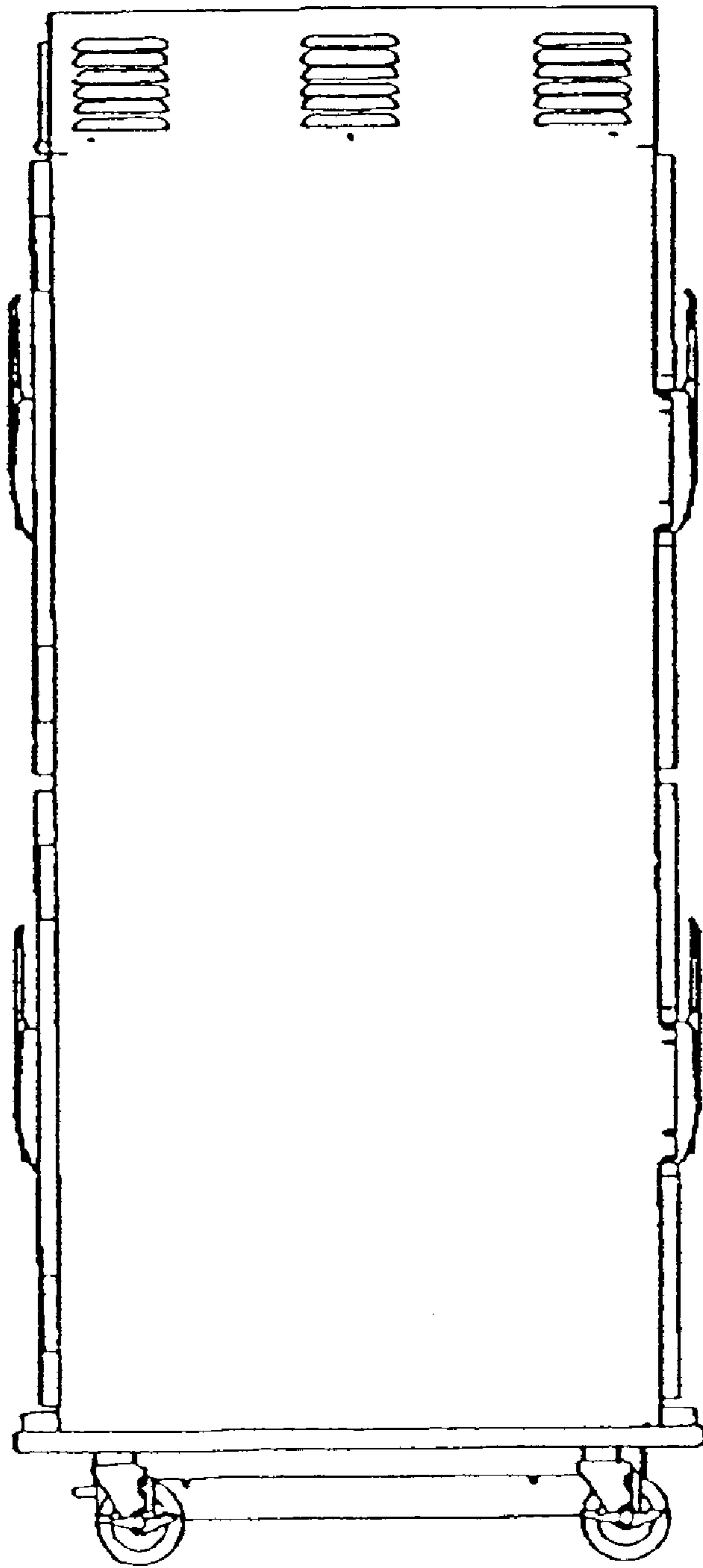


Fig. 5

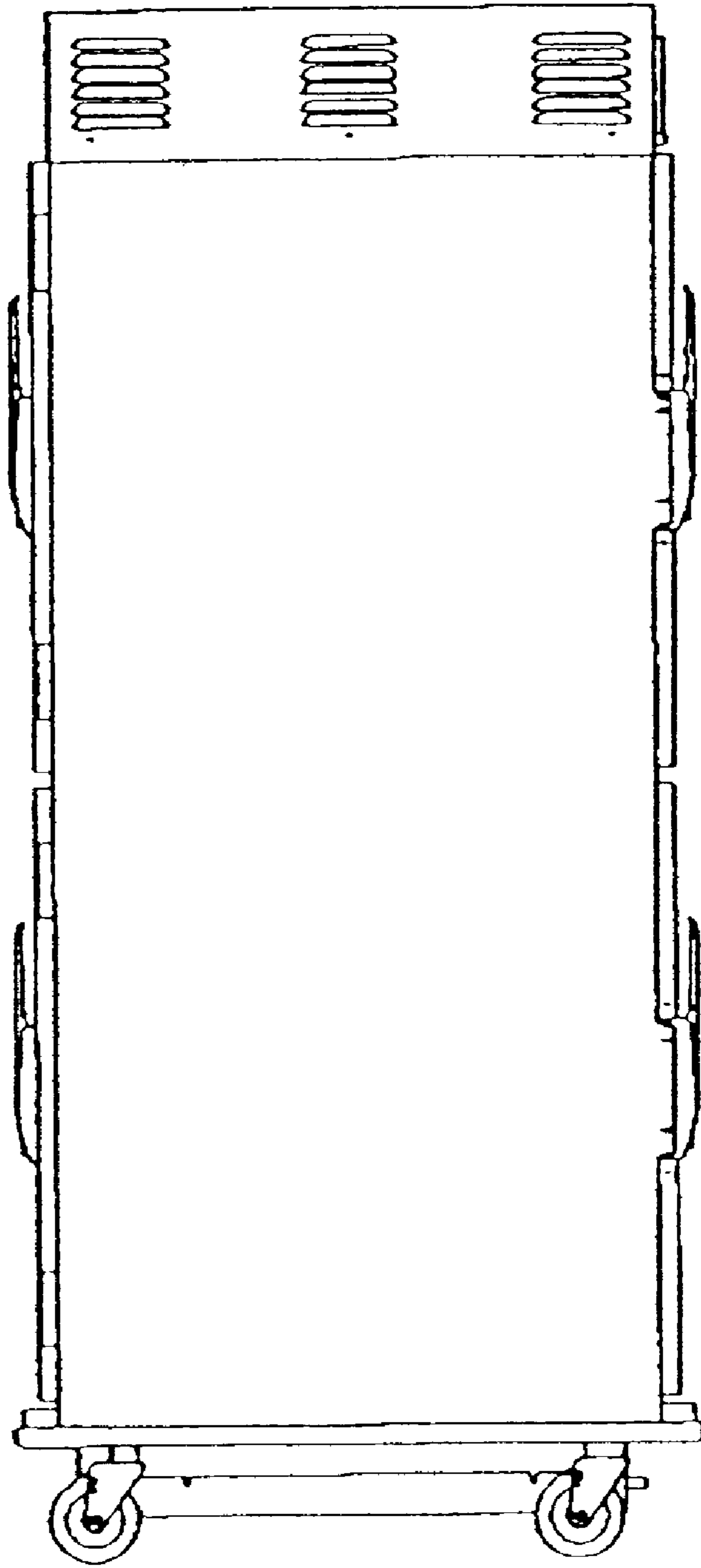


Fig. 6

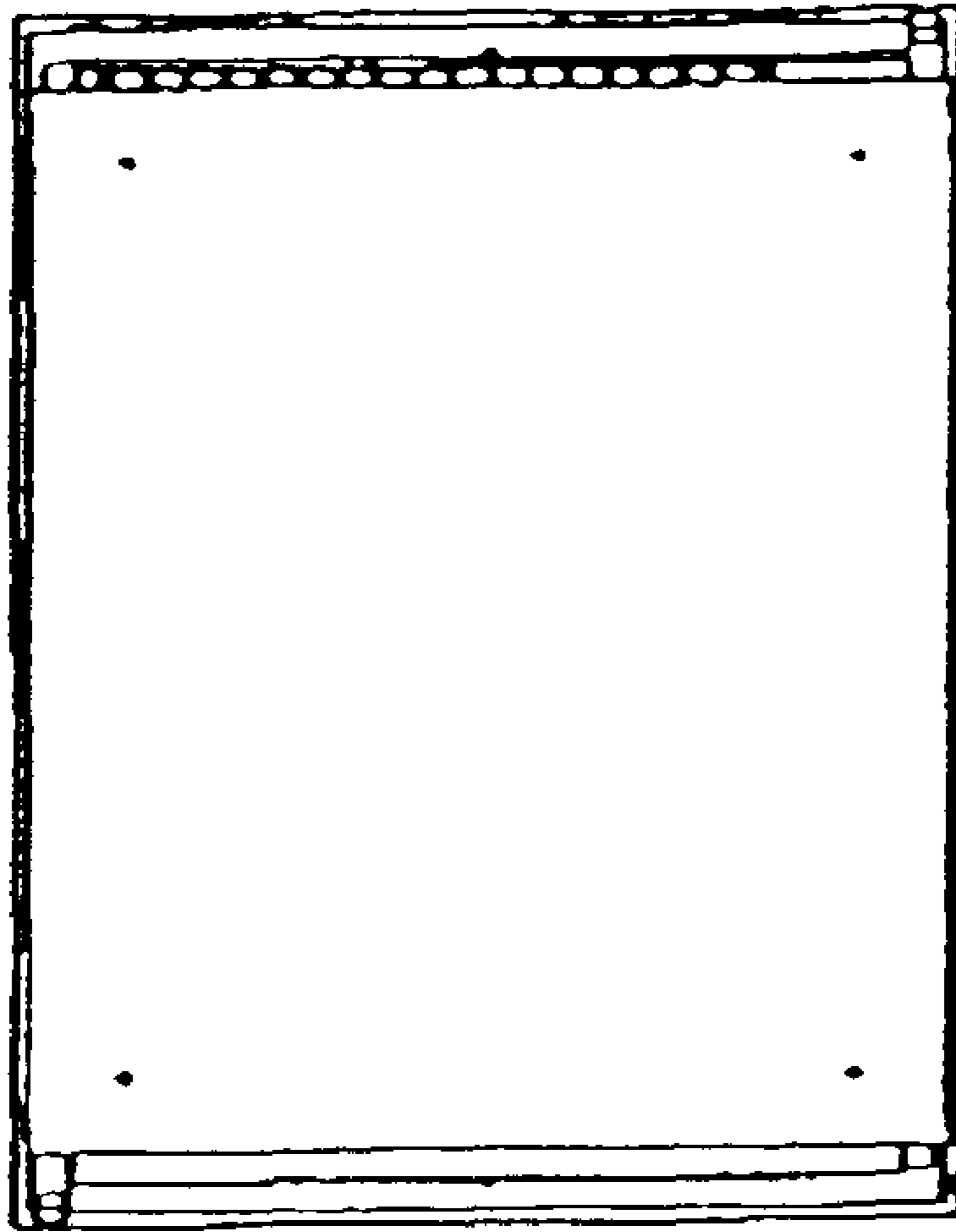


Fig. 7

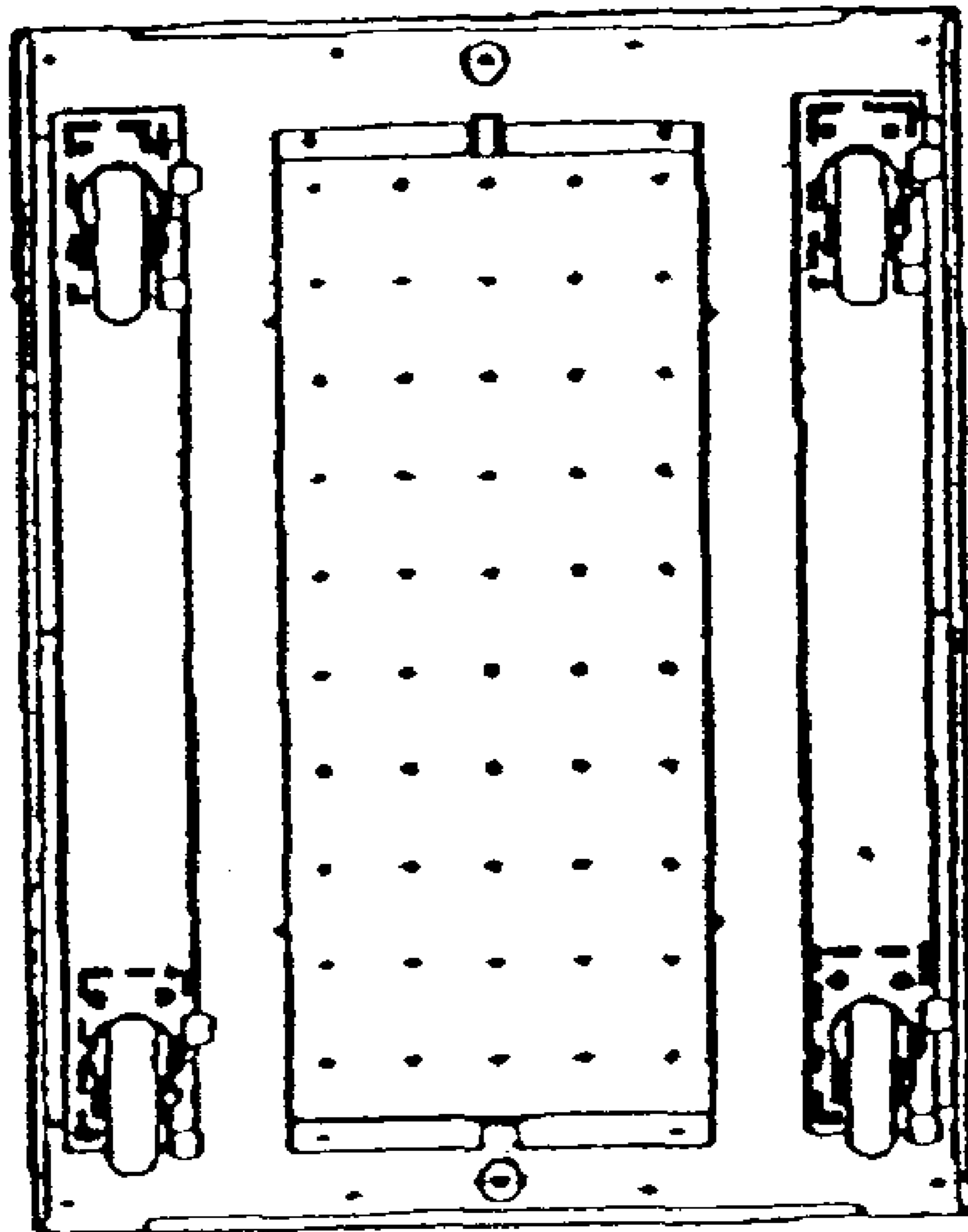


Fig. 8