



US00D453819S

(12) **United States Design Patent**  
**Tani**

(10) **Patent No.:** **US D453,819 S**

(45) **Date of Patent:** **\*\* Feb. 19, 2002**

(54) **WATER CLOSET**

D383,832 S \* 9/1997 Kawamura et al. .... D23/295

(75) Inventor: **Minoru Tani**, Fukuoka (JP)

\* cited by examiner

(73) Assignee: **Toto Ltd.**, Fukuoka (JP)

*Primary Examiner*—Louis S. Zarfes

*Assistant Examiner*—Robert A. Delehanty

(\*\*) Term: **14 Years**

(74) *Attorney, Agent, or Firm*—Birch, Stewart, Kolasch & Birch, LLP

(21) Appl. No.: **29/141,216**

(57) **CLAIM**

(22) Filed: **May 3, 2001**

The ornamental design for water closet, as shown and described.

(30) **Foreign Application Priority Data**

**DESCRIPTION**

Nov. 10, 2000 (JP) ..... 2000-032098

(51) **LOC (7) Cl.** ..... **23-02**

(52) **U.S. Cl.** ..... **D23/295**

(58) **Field of Search** ..... D23/270–272,  
D23/295, 296, 299–301, 303, 309–313;  
4/667, 300, 329, 353–354, 419–420, 420.3,  
443, 446, 449, 460, 476–477, 479–483,  
902, DIG. 12, DIG. 15

FIG. 1 is a perspective view of a water closet showing my new design;

FIG. 2 is a left side elevational view thereof;

FIG. 3 is a right side elevational view thereof;

FIG. 4 is a top plan view thereof;

FIG. 5 is a bottom plan view thereof;

FIG. 6 is a front elevational view thereof; and,

FIG. 7 is a rear elevational view thereof.

(56) **References Cited**

The broken lines showing of the lower portion of the bowl and the drain hole are for illustrative purposes only and form no part of the claimed design.

**U.S. PATENT DOCUMENTS**

D199,325 S \* 10/1964 Fineman et al. .... D23/301

D382,946 S \* 8/1997 Kawamura et al. .... D23/295

**1 Claim, 4 Drawing Sheets**

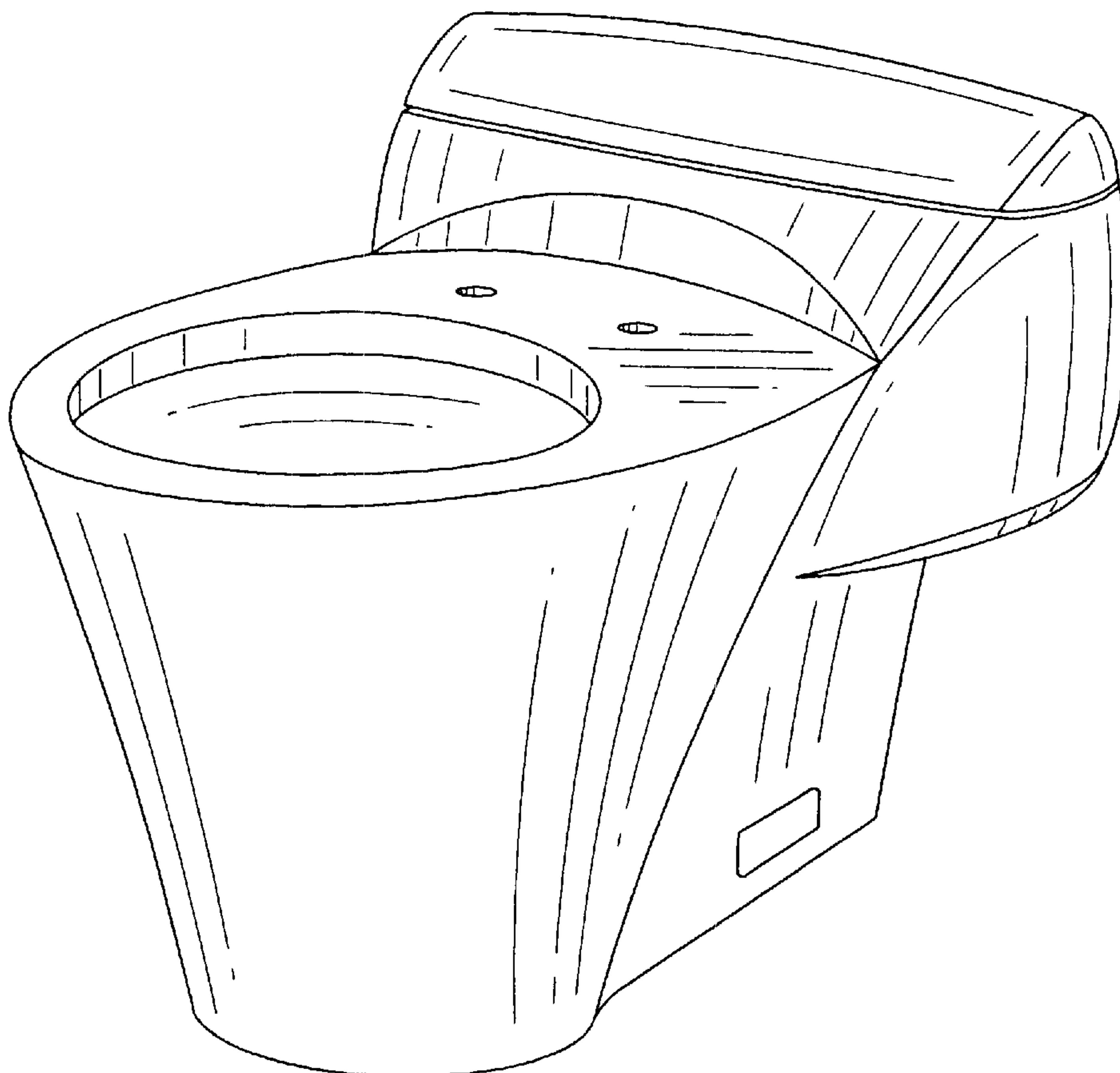


FIG. 1

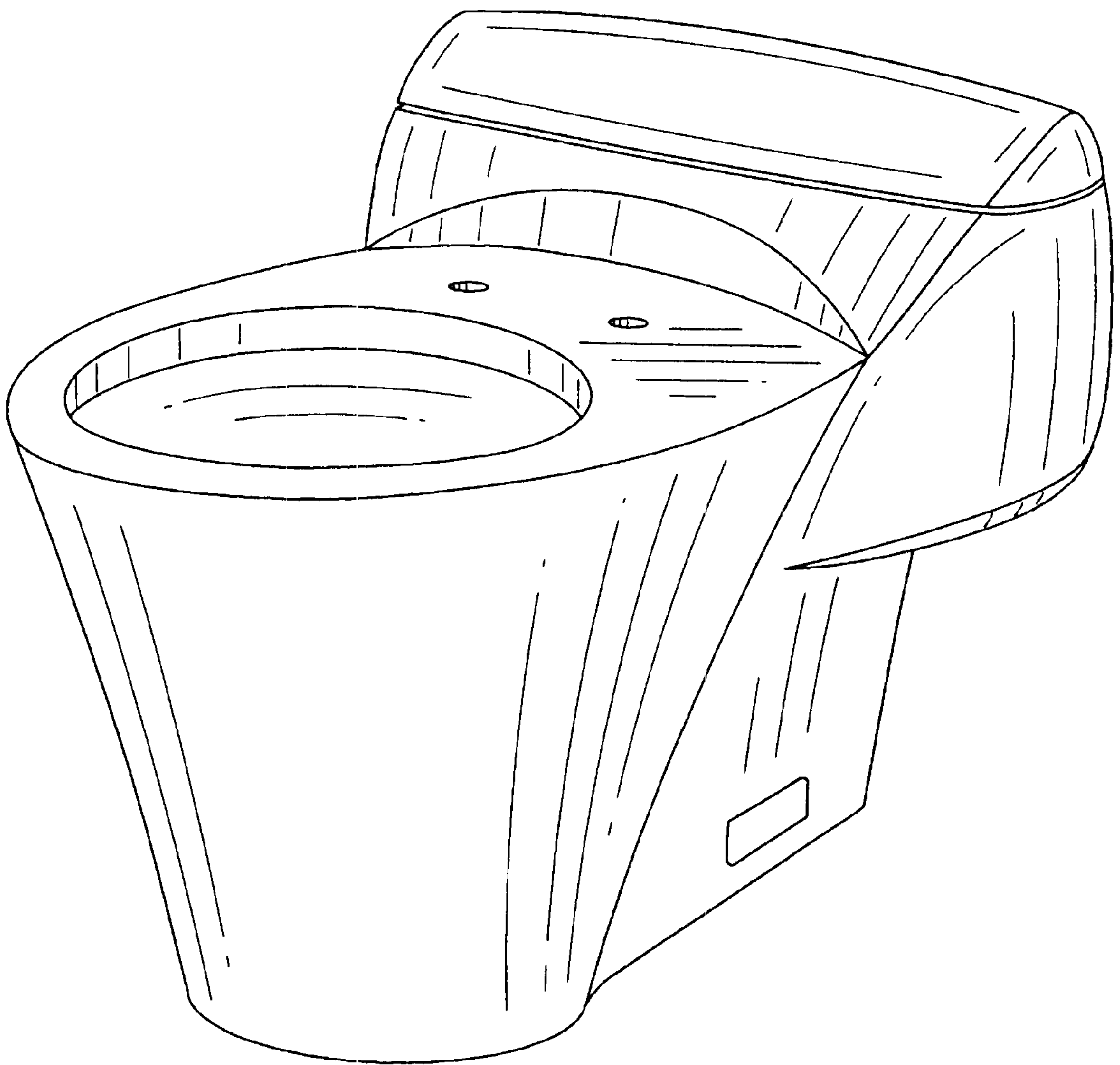


FIG. 2

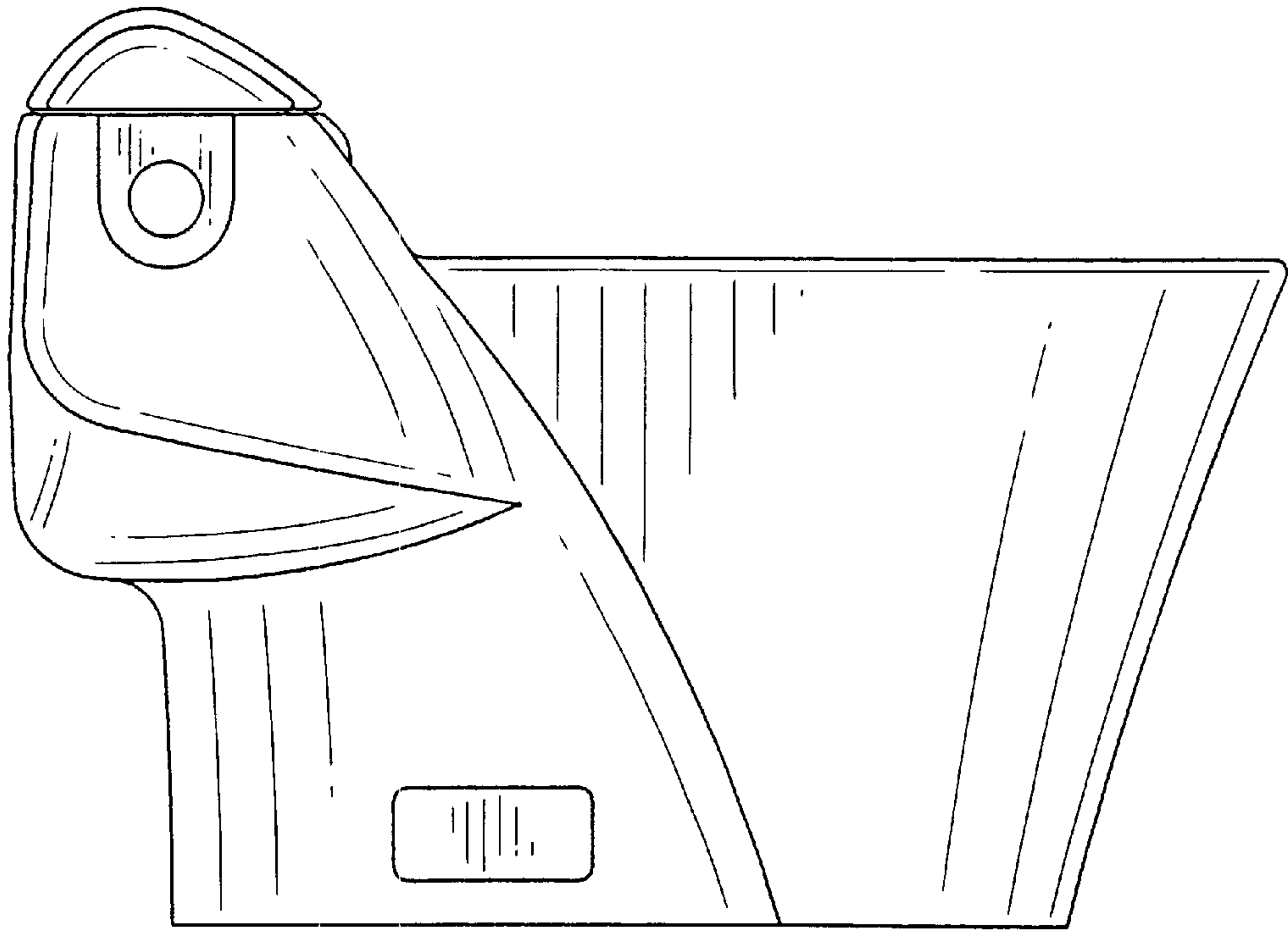


FIG. 3

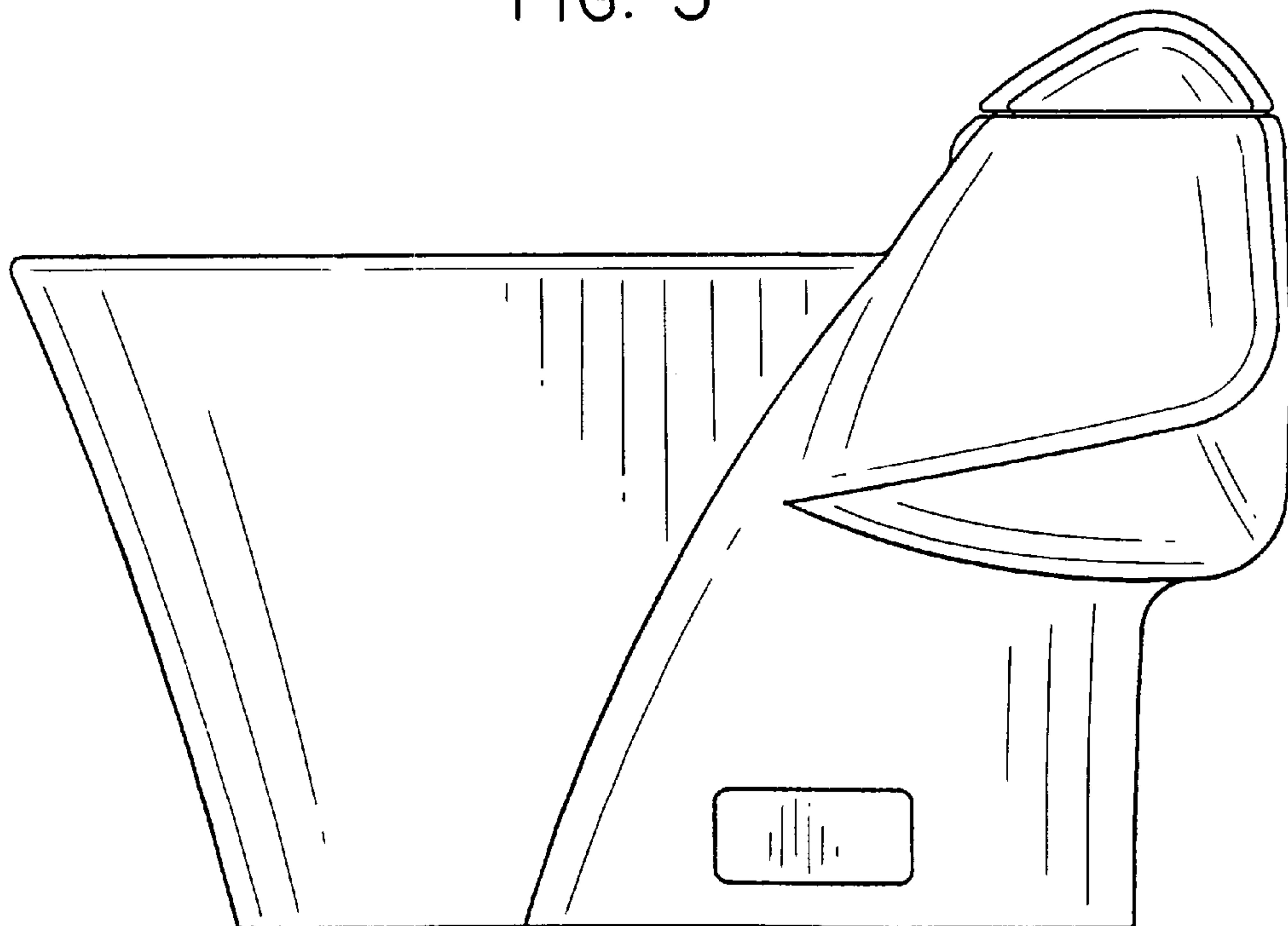


FIG. 4

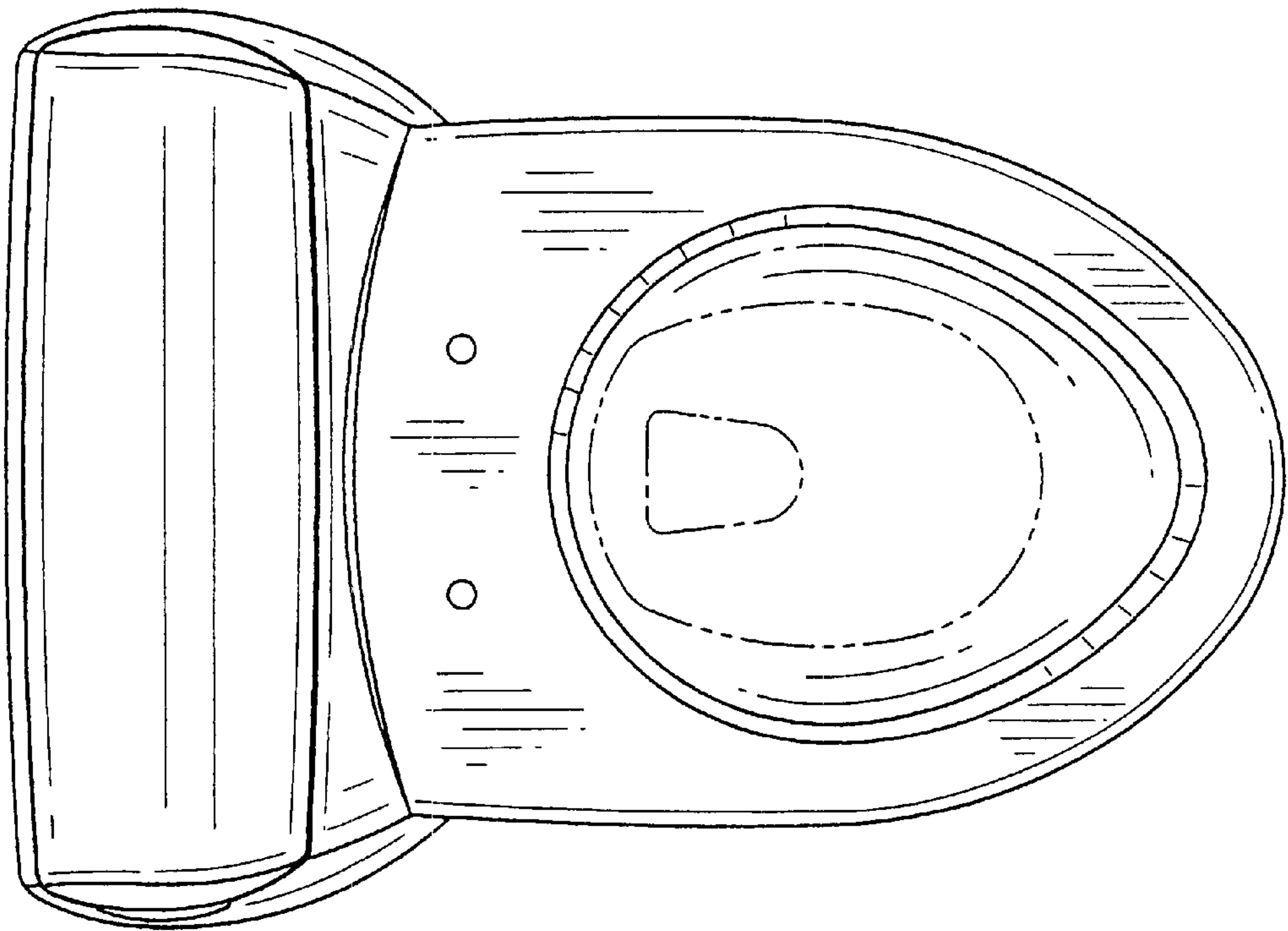


FIG. 5

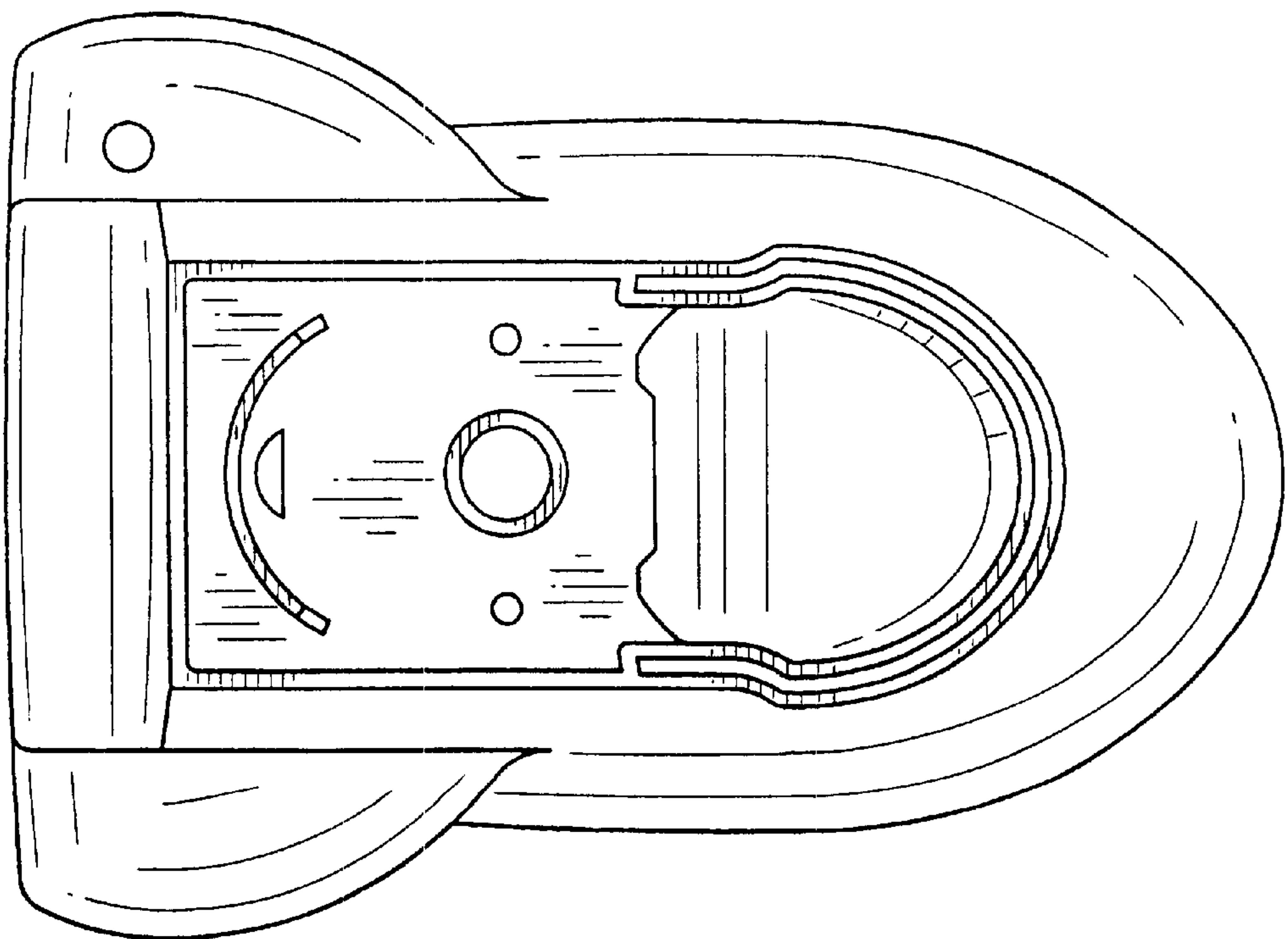


FIG. 6

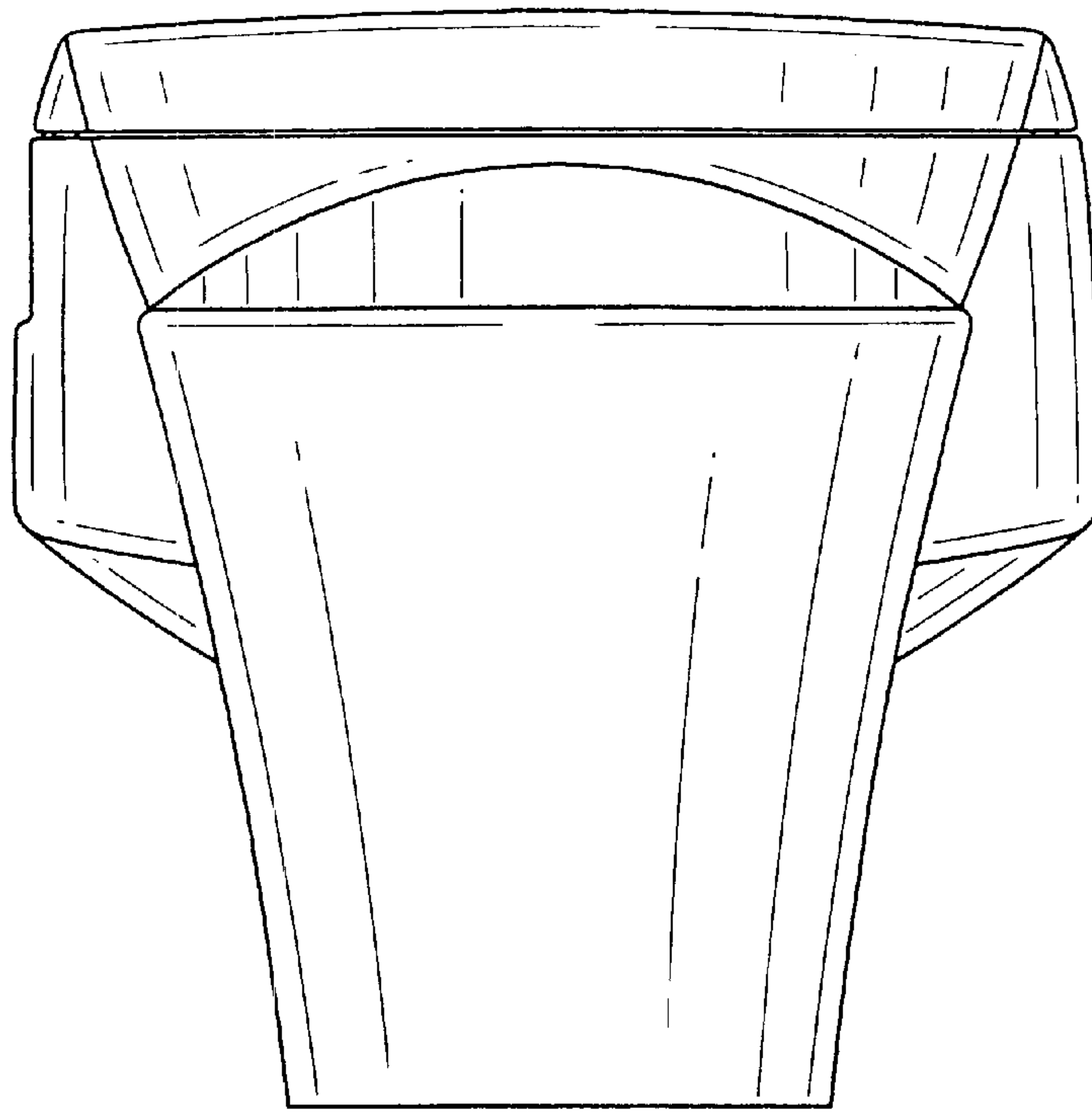


FIG. 7

