



US00D453818S

(12) **United States Design Patent**
Pila

(10) **Patent No.:** **US D453,818 S**

(45) **Date of Patent:** **** Feb. 19, 2002**

(54) **ROUNDED VANITY TABLE**

(76) **Inventor:** **Beartrice Pila**, 5005 SW. 74th Ct.,
Suite 104, Miami, FL (US) 33155

(**) **Term:** **14 Years**

(21) **Appl. No.:** **29/142,437**

(22) **Filed:** **May 25, 2001**

(51) **LOC (7) Cl.** **23-02**

(52) **U.S. Cl.** **D23/286**

(58) **Field of Search** D23/270-271,
D23/273, 284-292, 293.1, 303, 308; 4/619,
621-622, 630-637, 643-646, 654, 658-661;
D6/397-398, 403, 481, 495; 108/24, 156,
161

(56) **References Cited**

U.S. PATENT DOCUMENTS

907,839 A * 12/1908 Mendenhall 108/24
D89,930 S * 5/1933 Stuart D6/295
2,555,957 A * 6/1951 Clingman 108/161 X

D258,079 S * 1/1981 Primault D23/292
D328,338 S * 7/1992 Ragonot D23/284
D412,562 S * 8/1999 Soulier D23/292

* cited by examiner

Primary Examiner—Louis S. Zarfes
Assistant Examiner—Robert A. Delehanty
(74) *Attorney, Agent, or Firm*—J. Sanchelima

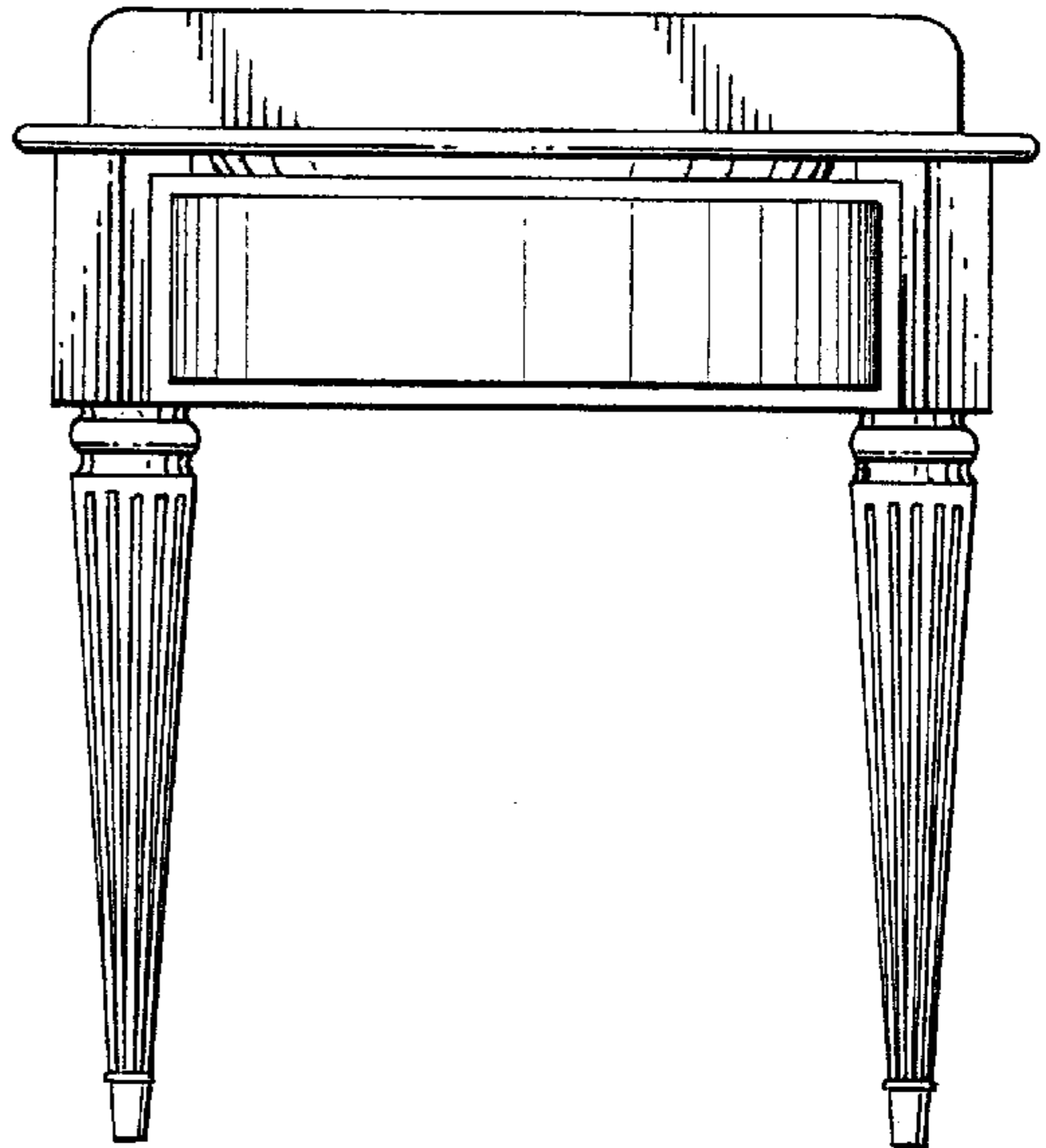
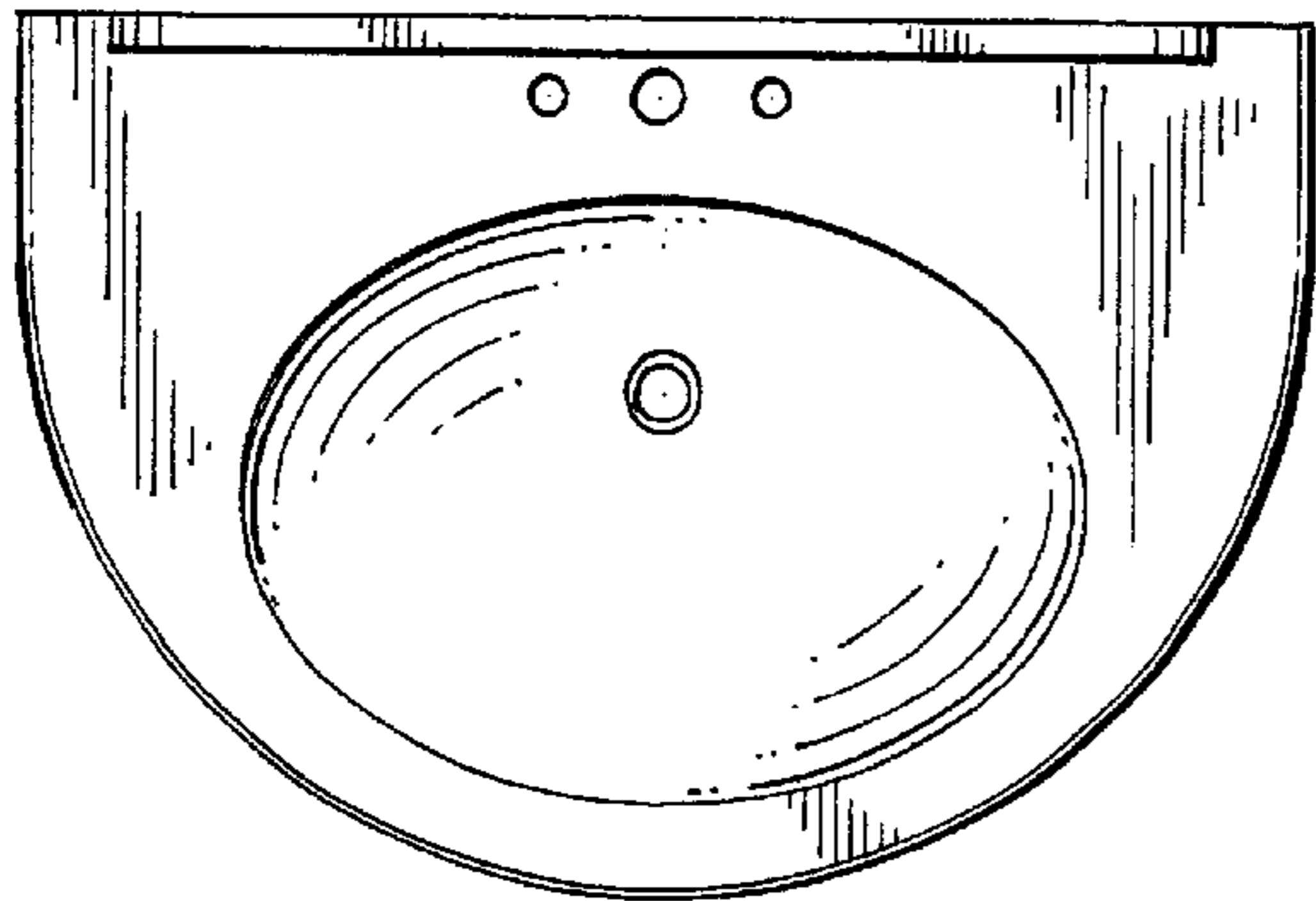
(57) **CLAIM**

The ornamental design for rounded vanity table, as shown and described.

DESCRIPTION

FIG. 1 is a top plan view of a rounded vanity table showing my new design;
FIG. 2 is a front elevational view thereof;
FIG. 3 is a bottom plan view thereof;
FIG. 4 is a left side elevational view thereof;
FIG. 5 is a back view thereof; and,
FIG. 6 is a right side elevational view thereof.

1 Claim, 2 Drawing Sheets



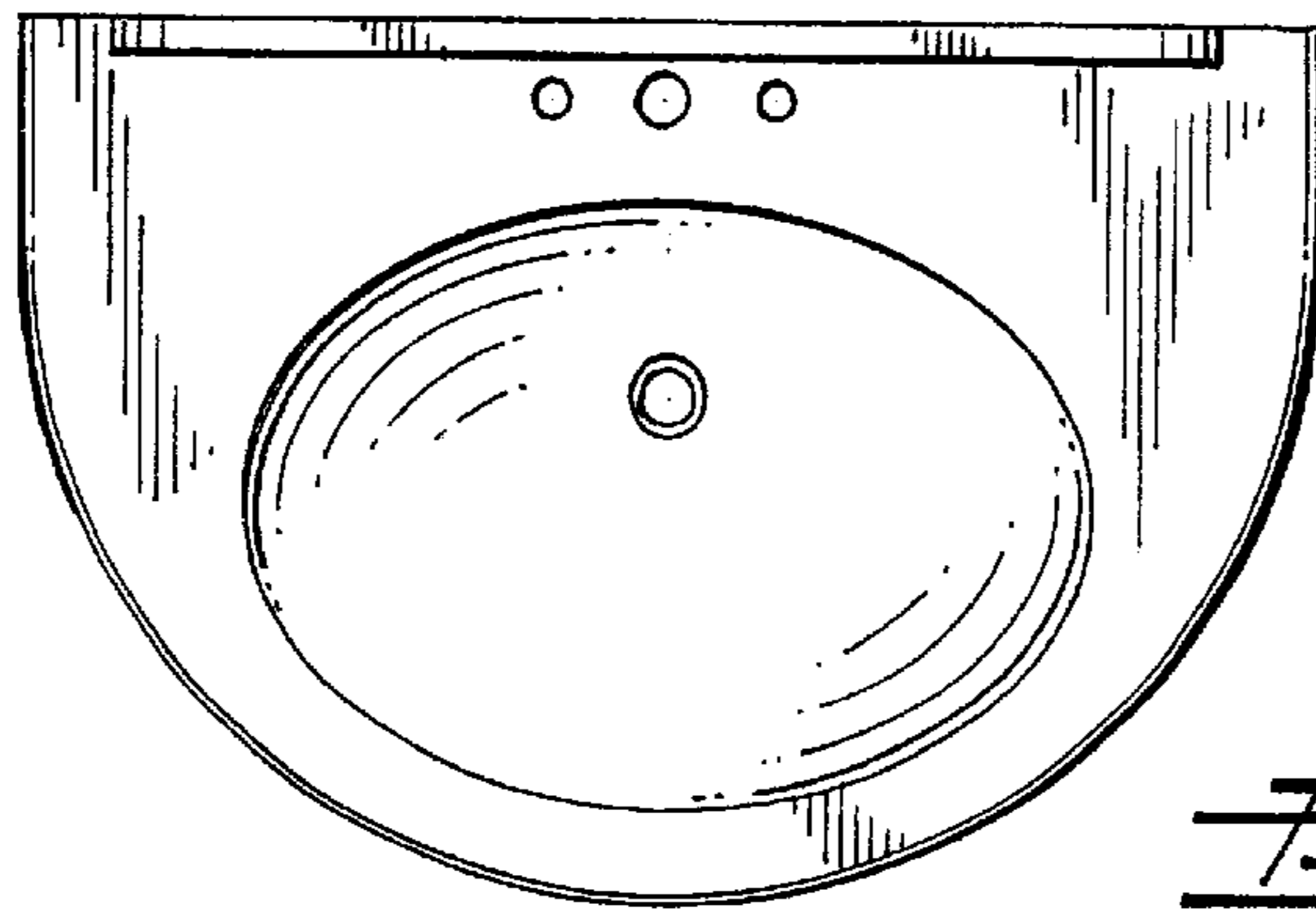


FIG. 1.

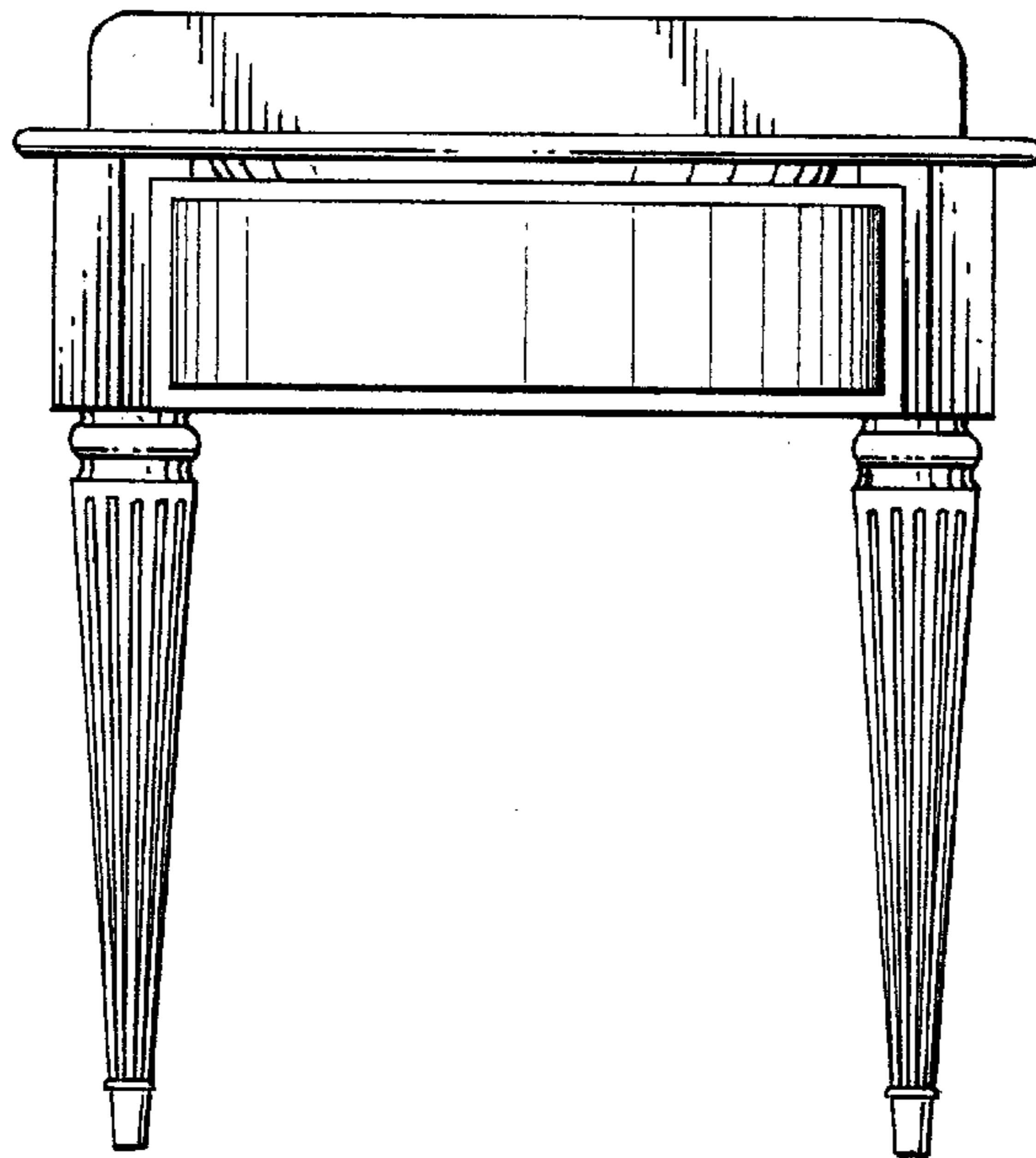


FIG. 2.

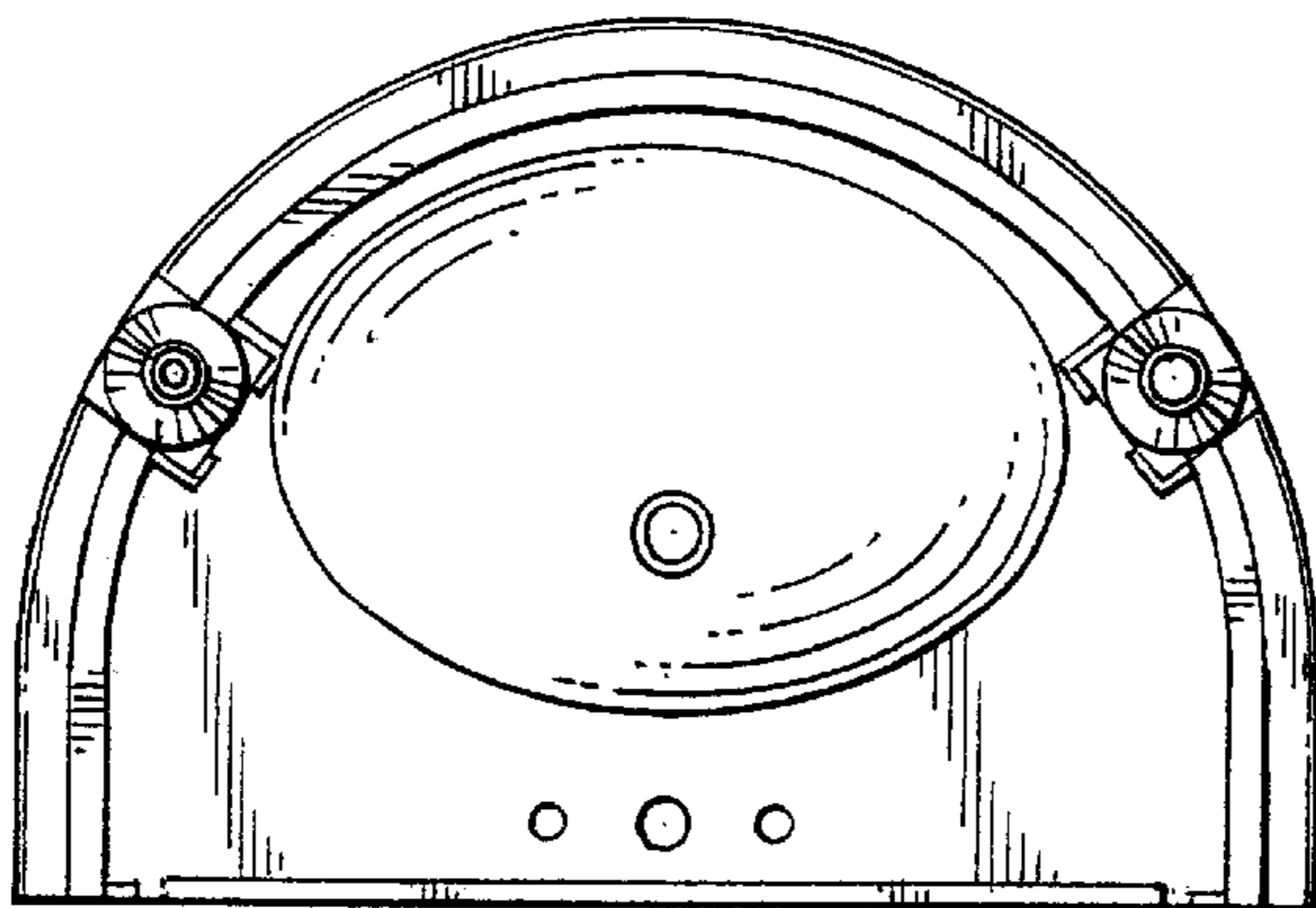


FIG. 3.

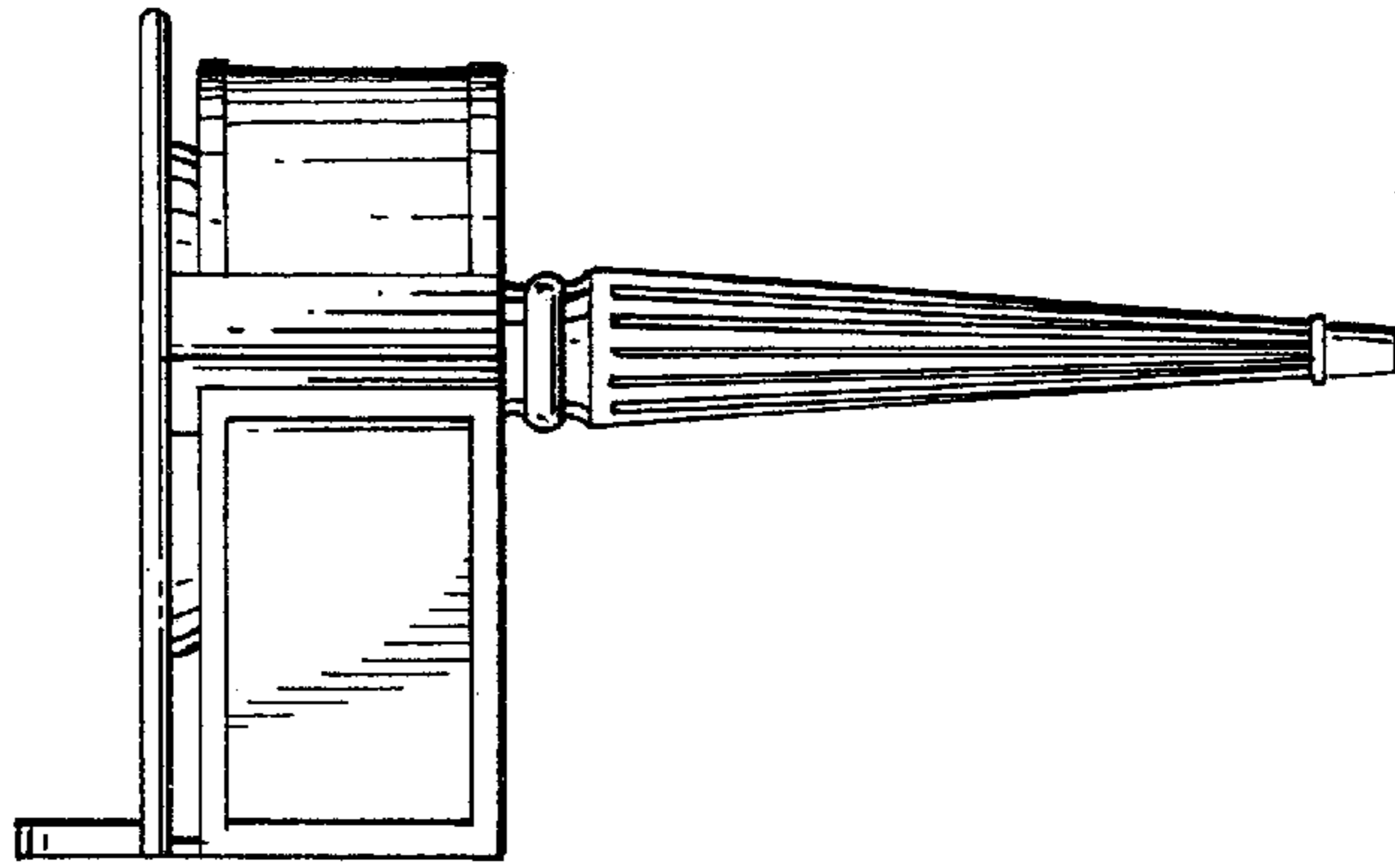


FIG. 6-

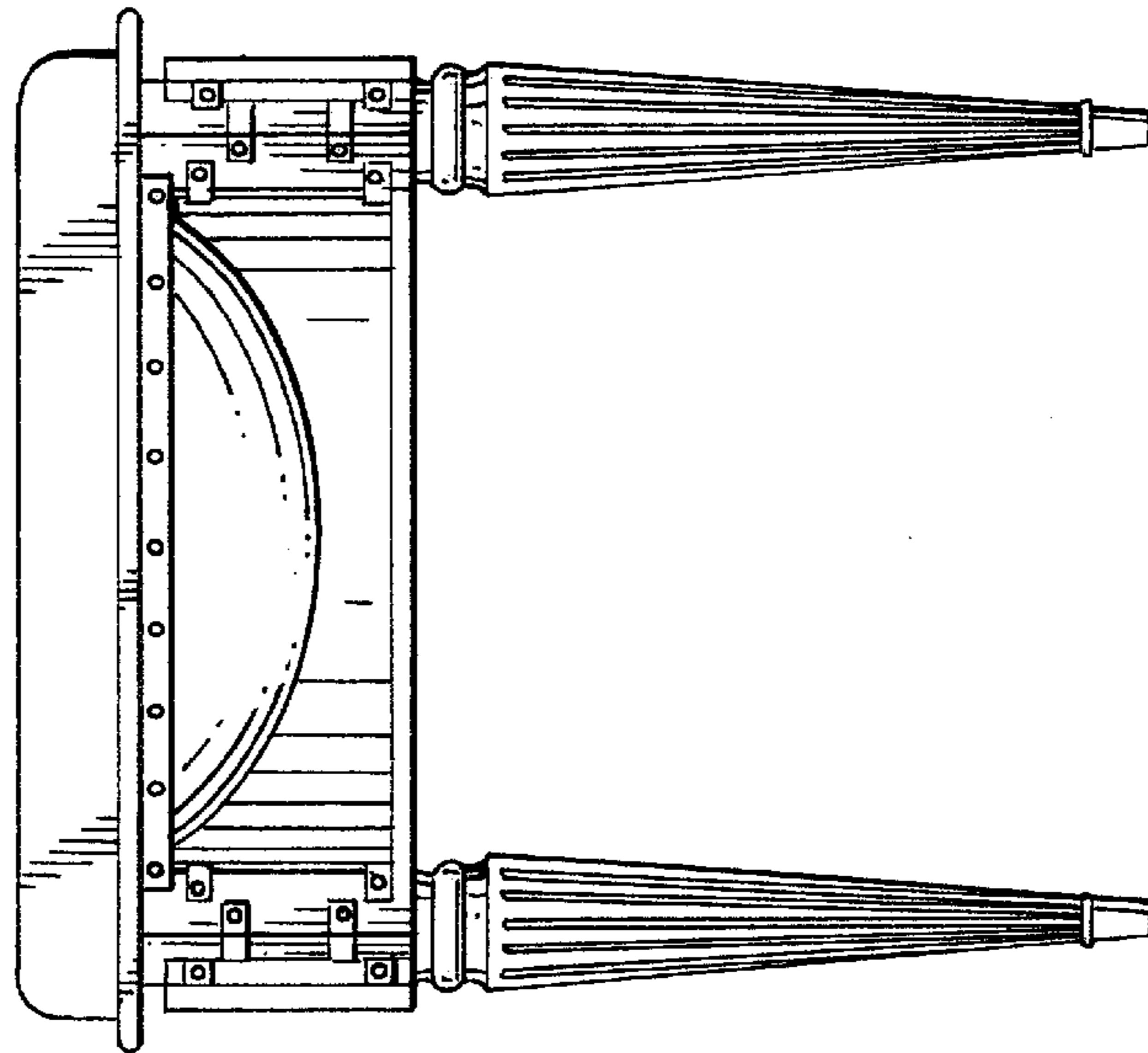


FIG. 5-

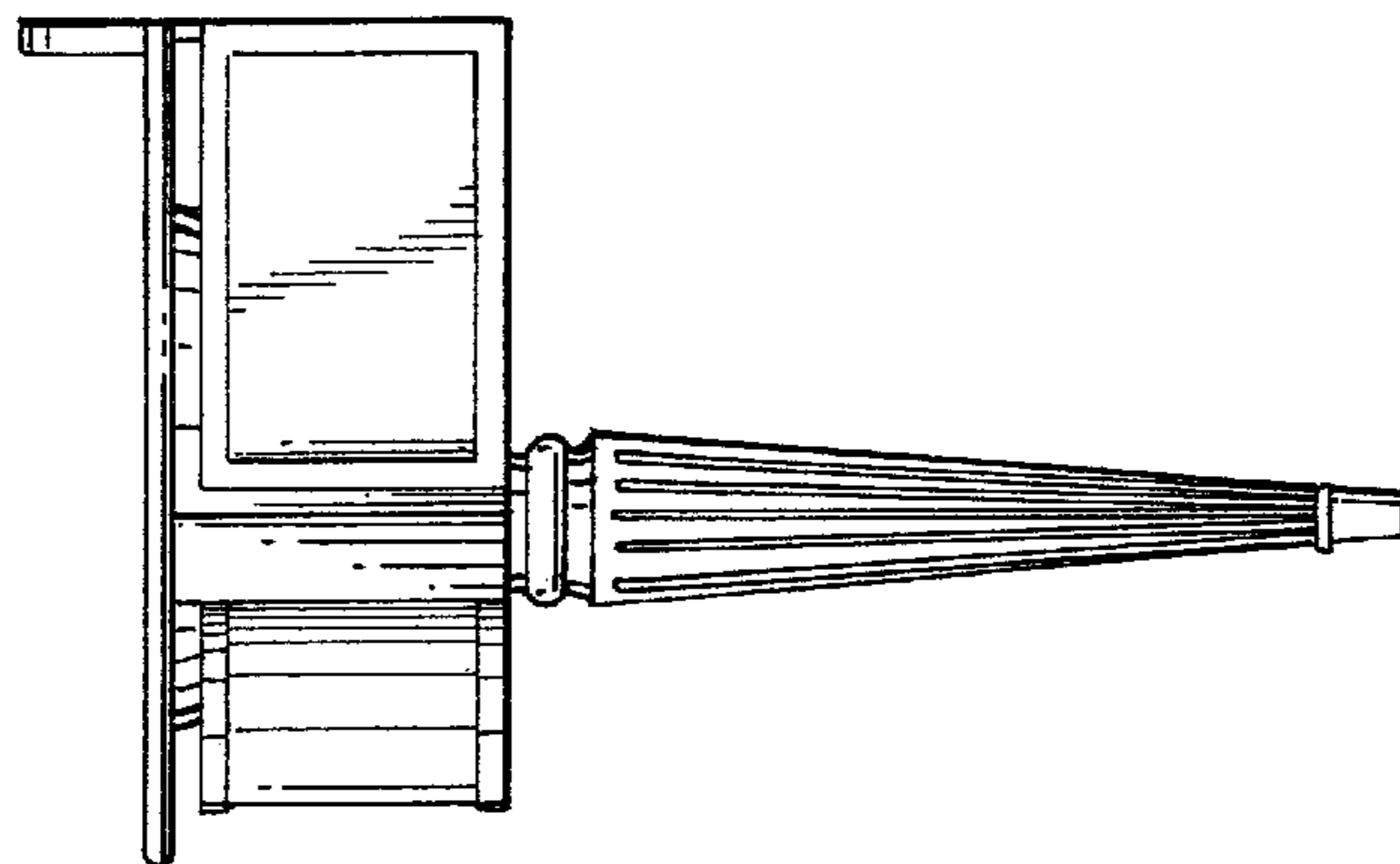


FIG. 4-