



US00D453817S

(12) **United States Design Patent**
Patteson et al.

(10) **Patent No.:** **US D453,817 S**

(45) **Date of Patent:** **** Feb. 19, 2002**

(54) **UNIVERSAL HOSE CONNECTOR**

(76) Inventors: **Wilfred Mark Patteson**, 715 Irwin Crescent, Newmarket, Ontario (CA), L3Y 5A4; **John Henry De La Poer Beresford**, 633 Lakeshore Blvd. West, Suite 307, Toronto, Ontario (CA), M5V 3B9

(**) Term: **14 Years**

(21) Appl. No.: **29/140,131**

(22) Filed: **Apr. 13, 2001**

3,148,895 A	9/1964	Jasper et al.	285/7
3,727,953 A	4/1973	Martin et al.	285/177
3,866,950 A	2/1975	Skoch et al.	285/4
4,342,462 A	8/1982	Carlesimo	277/101
D282,962 S *	3/1986	Gerber	D23/262
4,597,594 A	7/1986	Kacalief et al.	285/239
D290,646 S	6/1987	Cook	D23/43
4,703,956 A	11/1987	Keech	285/156
4,874,370 A	10/1989	Heimerl et al.	604/93
5,141,255 A	8/1992	Hanaoka	285/4
D333,178 S	2/1993	Novy	D23/262
D337,153 S	7/1993	King	D23/262
5,335,943 A	8/1994	Duryea	285/12
5,944,359 A *	8/1999	Andronaco	285/397

* cited by examiner

Related U.S. Application Data

(62) Division of application No. 29/115,785, filed on Dec. 22, 1999, now Pat. No. Des. 441,435.

(51) **LOC (7) Cl.** **23-01**

(52) **U.S. Cl.** **D23/262**

(58) **Field of Search** D23/262; D24/129;
285/136.1, 148.22, 148.23, 903, 905, 133.11,
239, 397

(56) **References Cited**

U.S. PATENT DOCUMENTS

1,716,961 A	6/1929	Hoffman	
1,996,855 A *	4/1935	Cheswright	285/239
2,098,423 A *	11/1937	Kennedy	285/305
2,311,708 A	2/1943	Sundholm	284/14
2,419,453 A	4/1947	Kocevar	285/160
2,449,754 A	9/1948	Seitz	285/111
D178,331 S	7/1956	Williams	D91/3

Primary Examiner—Robin V. Taylor

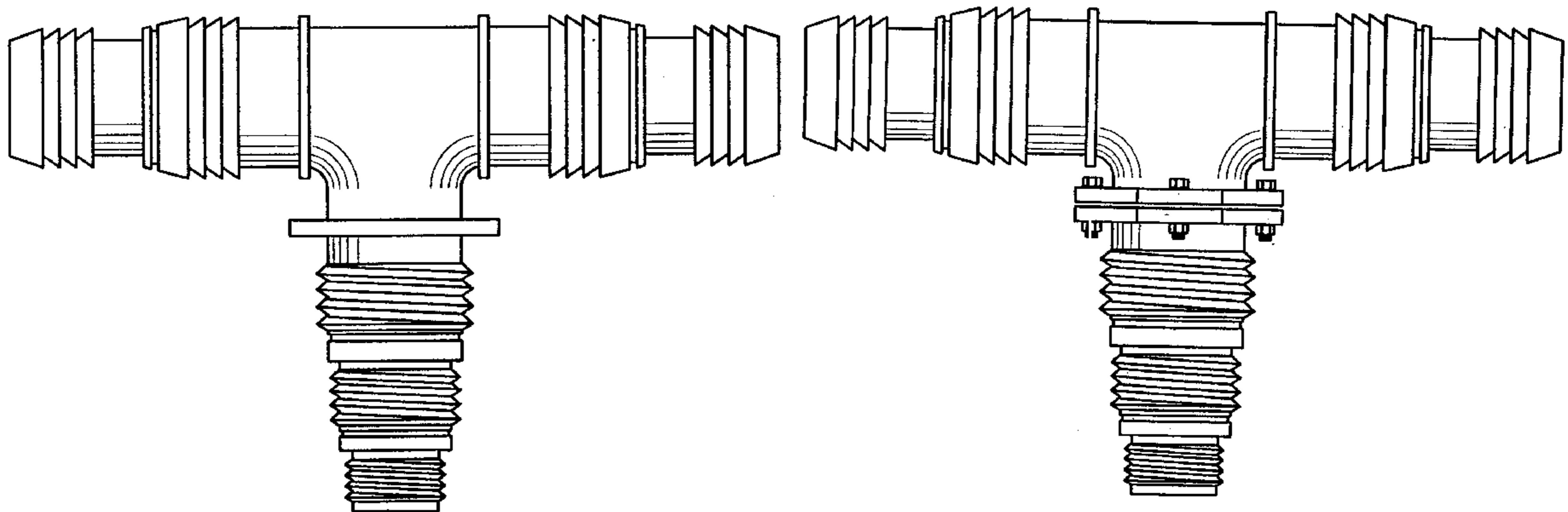
(57) **CLAIM**

The ornamental Design for a universal hose connector, as shown.

DESCRIPTION

FIG. 1 is a plan view of a first embodiment of my design; FIG. 2 is a front view of a first embodiment of my design; FIG. 3 is a side view of a first embodiment of my design; FIG. 4 is a rear view of a first embodiment of my design; FIG. 5 is a plan view of a second embodiment of my design; FIG. 6 is a front view of a second embodiment of my design; FIG. 7 is a side view of a second embodiment of my design; and, FIG. 8 is a rear view of a second embodiment of my design.

1 Claim, 2 Drawing Sheets



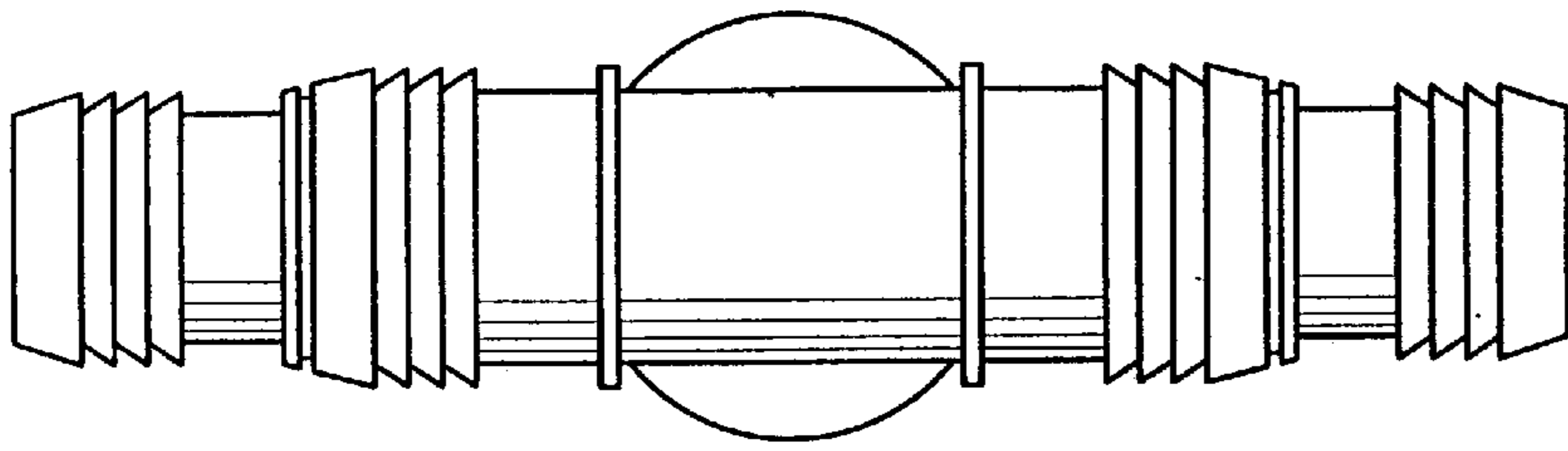


FIG. 4

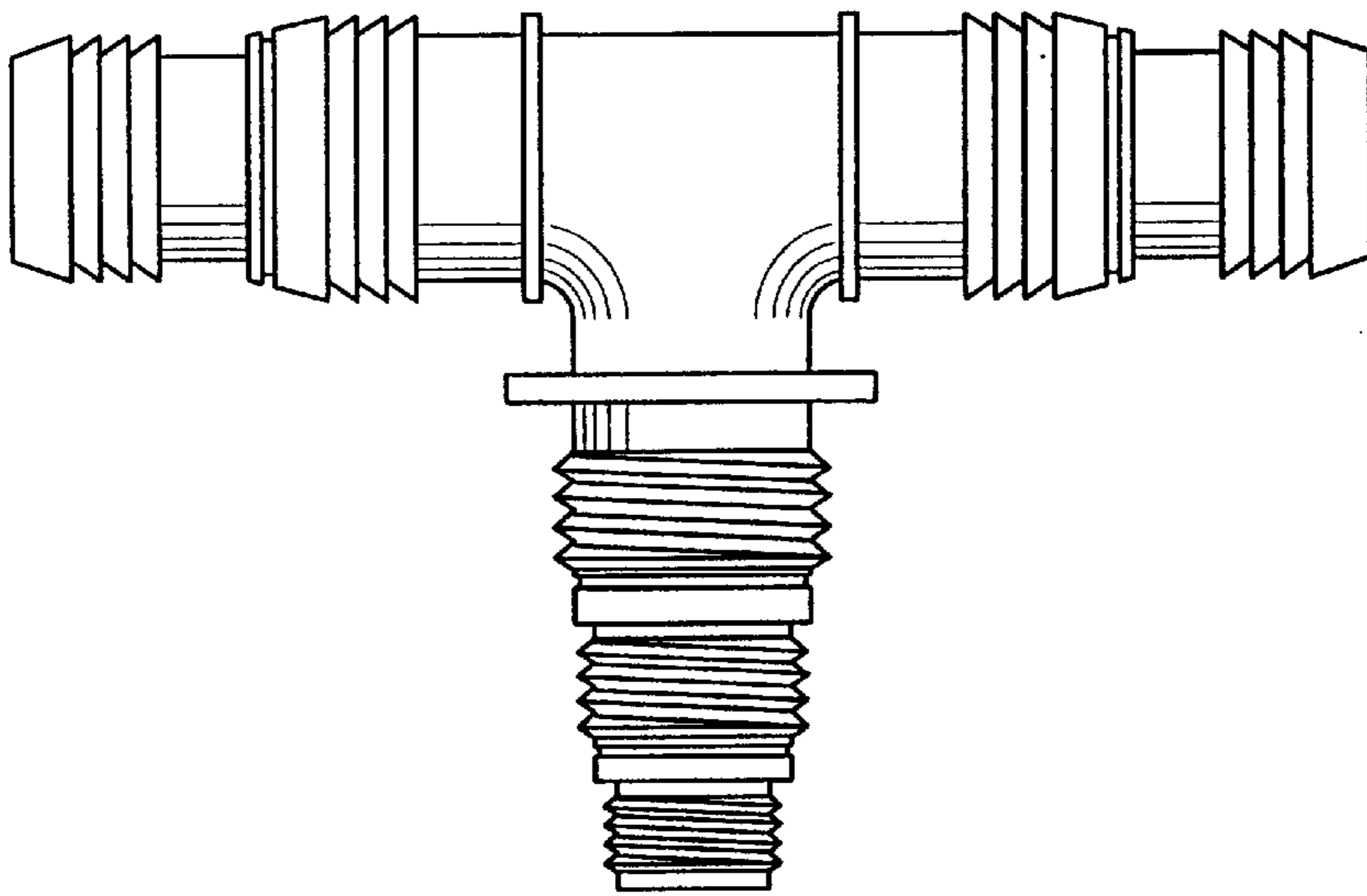


FIG. 1

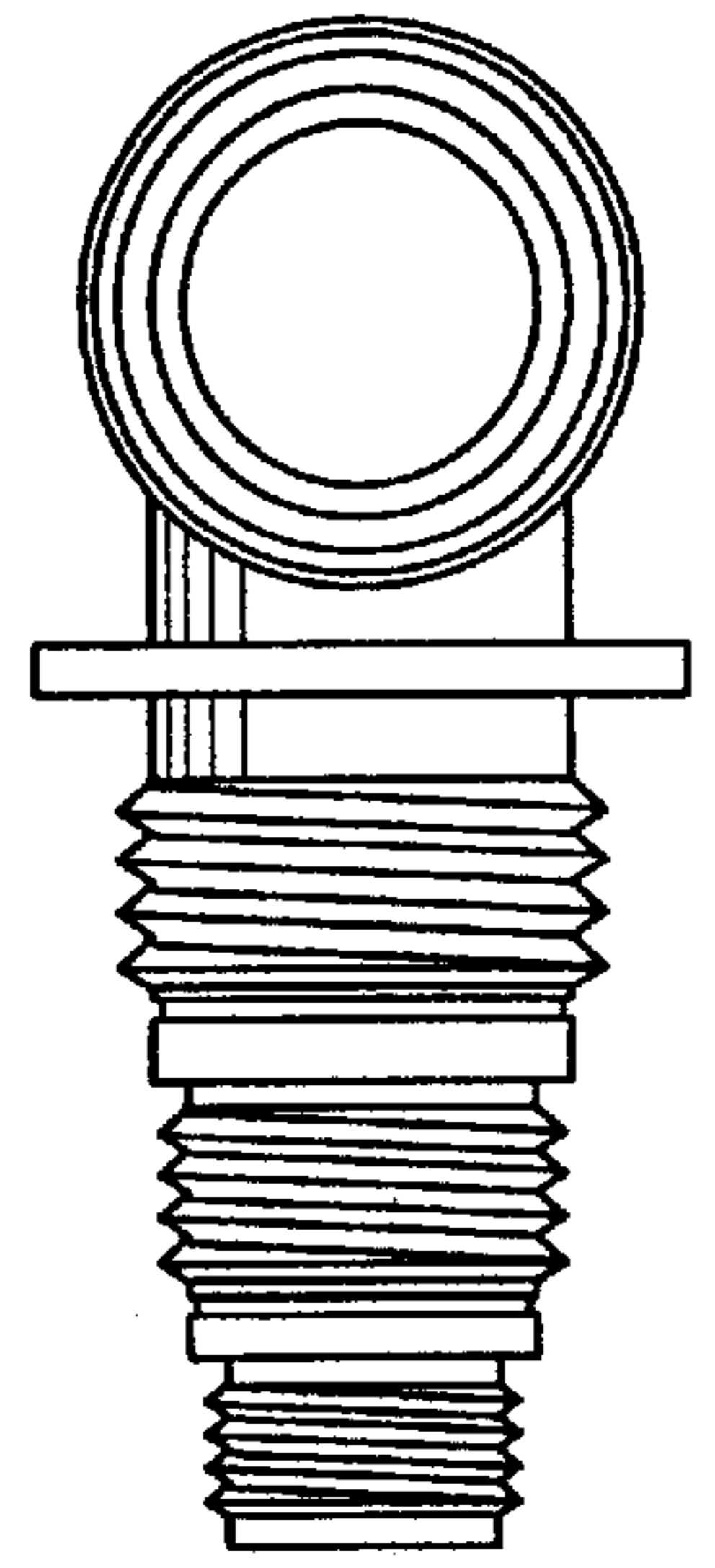


FIG. 3

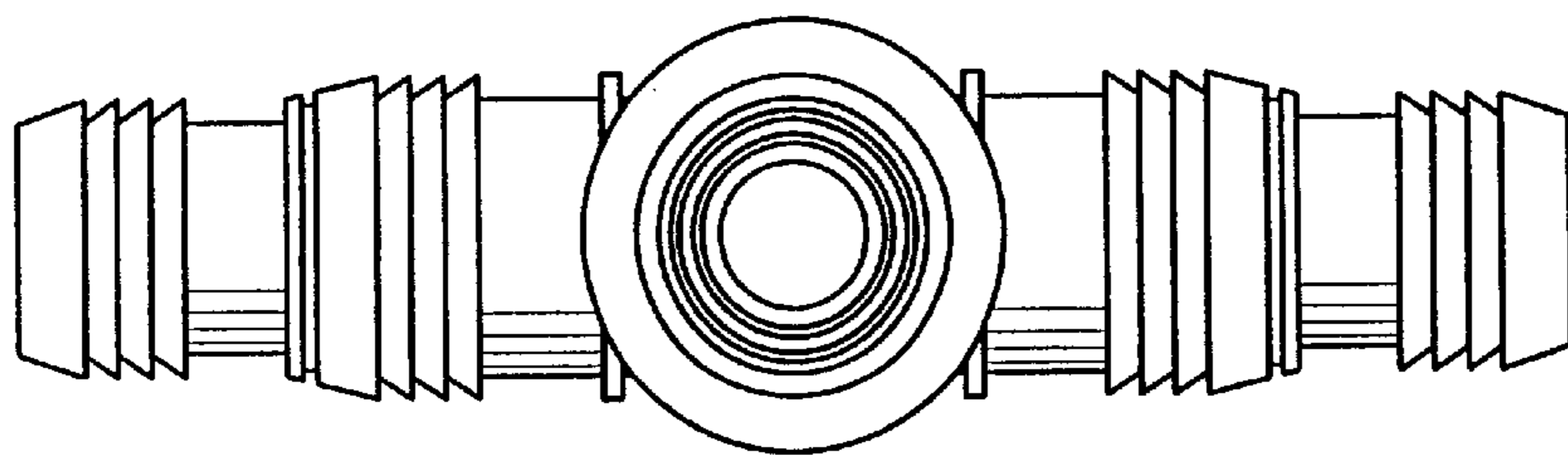


FIG. 2

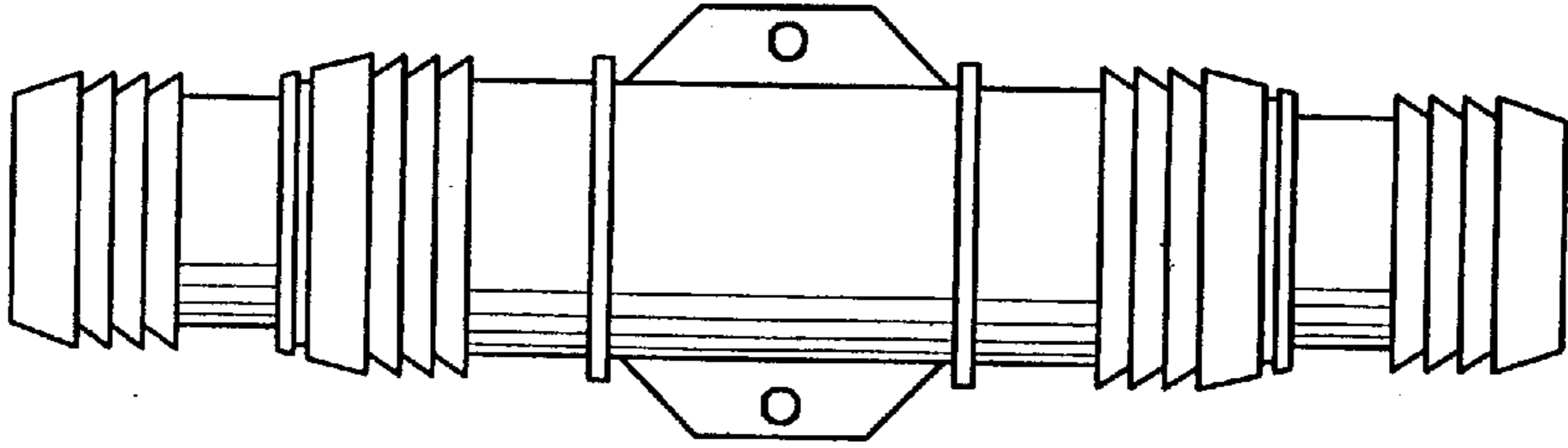


FIG. 8

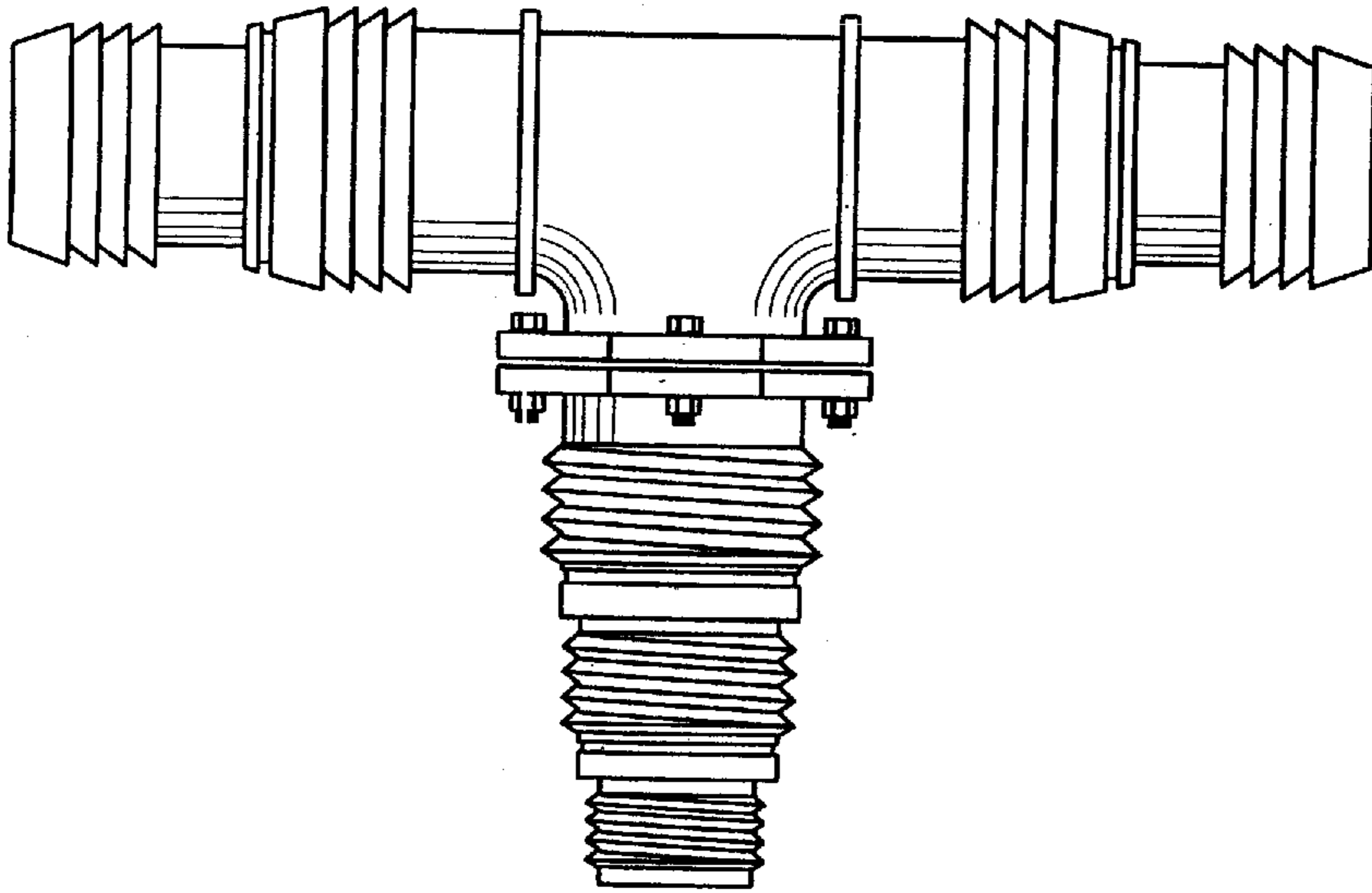


FIG. 5

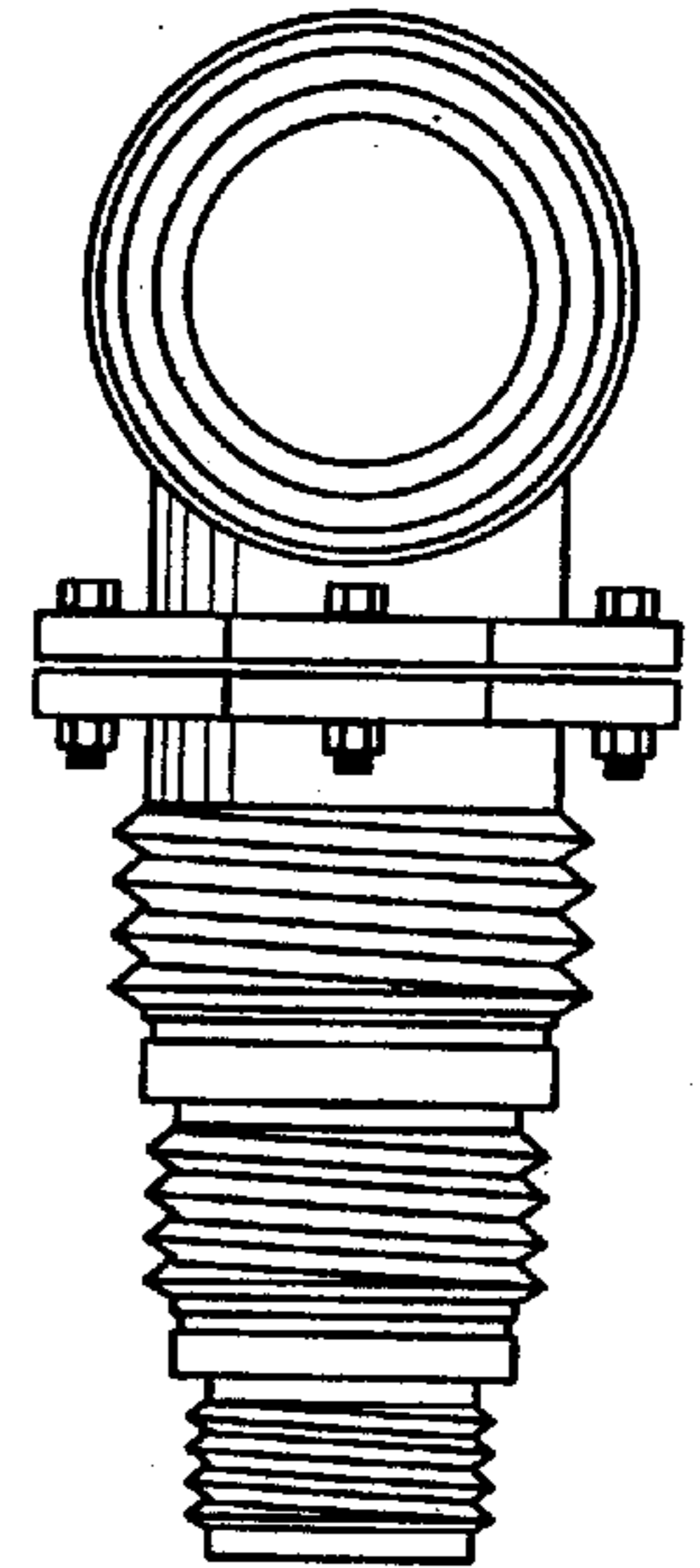


FIG. 7

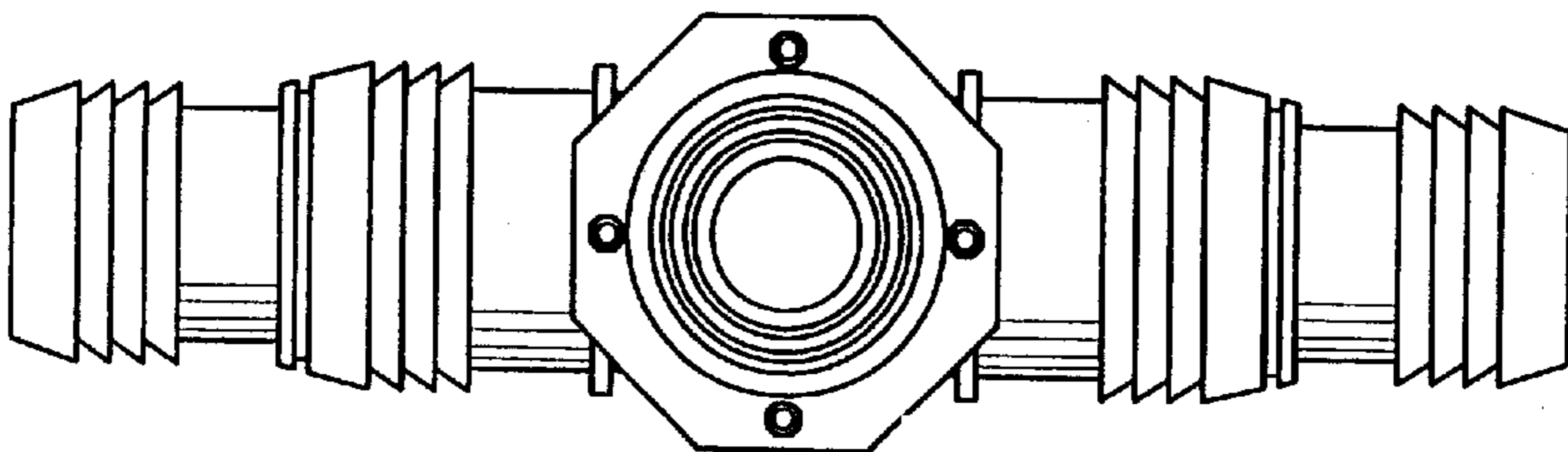


FIG. 6