



US00D453816S

(12) **United States Design Patent**
Sato et al.

(10) **Patent No.:** **US D453,816 S**

(45) **Date of Patent:** **** Feb. 19, 2002**

(54) **FLEXIBLE JOINT**

(75) **Inventors:** **Taichi Sato**, Nagaokakyo; **Yasushi Fujita**, Hyogo-ken, both of (JP)

(73) **Assignee:** **Waterworks Technology Development Organization Co., Ltd.**, Osaka (JP)

(**) **Term:** **14 Years**

D425,406 S	*	5/2000	Sato et al.	D8/382
D425,782 S	*	5/2000	Sato et al.	D8/382
D426,143 S	*	6/2000	Sato et al.	D8/382
D426,144 S	*	6/2000	Sato et al.	D8/382
D426,145 S	*	6/2000	Sato et al.	D8/382
D426,455 S	*	6/2000	Sato et al.	D8/382
D426,456 S	*	6/2000	Sato et al.	D8/382
D426,457 S	*	6/2000	Sato et al.	D8/382
D427,508 S	*	7/2000	Sato et al.	D8/382
D430,482 S	*	9/2000	Stout, Jr.	D8/382

(21) **Appl. No.:** **29/121,267**

(22) **Filed:** **Apr. 4, 2000**

(51) **LOC (7) Cl.** **23-01**

(52) **U.S. Cl.** **D23/262; D8/382**

(58) **Field of Search** D8/382; D23/262-265,
D23/266; 403/169, 170, 173, 174, 177,
178, 205, 300, 305, 306, 312; 285/223,
235

(56) **References Cited**

U.S. PATENT DOCUMENTS

222,867 A	*	12/1879	Chamberlin	285/223
D34,101 S	*	2/1901	Griffiths	D23/262
D217,550 S	*	5/1970	Campbell	D23/266
4,332,404 A	*	6/1982	Huffman	285/223
5,133,578 A	*	7/1992	Whightsil, Sr. et al.	. . .	285/143.2
D358,469 S	*	5/1995	Mongeon	D24/129
D392,372 S	*	3/1998	Sato et al.	D23/264
D424,916 S	*	5/2000	Sato et al.	D8/382
D424,917 S	*	5/2000	Sato et al.	D8/382
D424,918 S	*	5/2000	Sato et al.	D8/382
D424,919 S	*	5/2000	Sato et al.	D8/382
D424,920 S	*	5/2000	Sato et al.	D8/382

FOREIGN PATENT DOCUMENTS

JP 938464 11/1995

* cited by examiner

Primary Examiner—Alan P. Douglas

Assistant Examiner—Clare E. Heflin

(74) *Attorney, Agent, or Firm*—Knobbe, Martens, Olson & Bear, LLP

(57) **CLAIM**

The ornamental design for a flexible joint, as shown and described.

DESCRIPTION

- FIG. 1 is a front view of a flexible joint.
- FIG. 2 is a rear view of the flexible joint.
- FIG. 3 is a top plan view of the flexible joint.
- FIG. 4 is a bottom plan view of the flexible joint.
- FIG. 5 is a left side view of the flexible joint.
- FIG. 6 is a right side view of the flexible joint; and,
- FIG. 7 is a perspective view of the flexible joint.

1 Claim, 3 Drawing Sheets

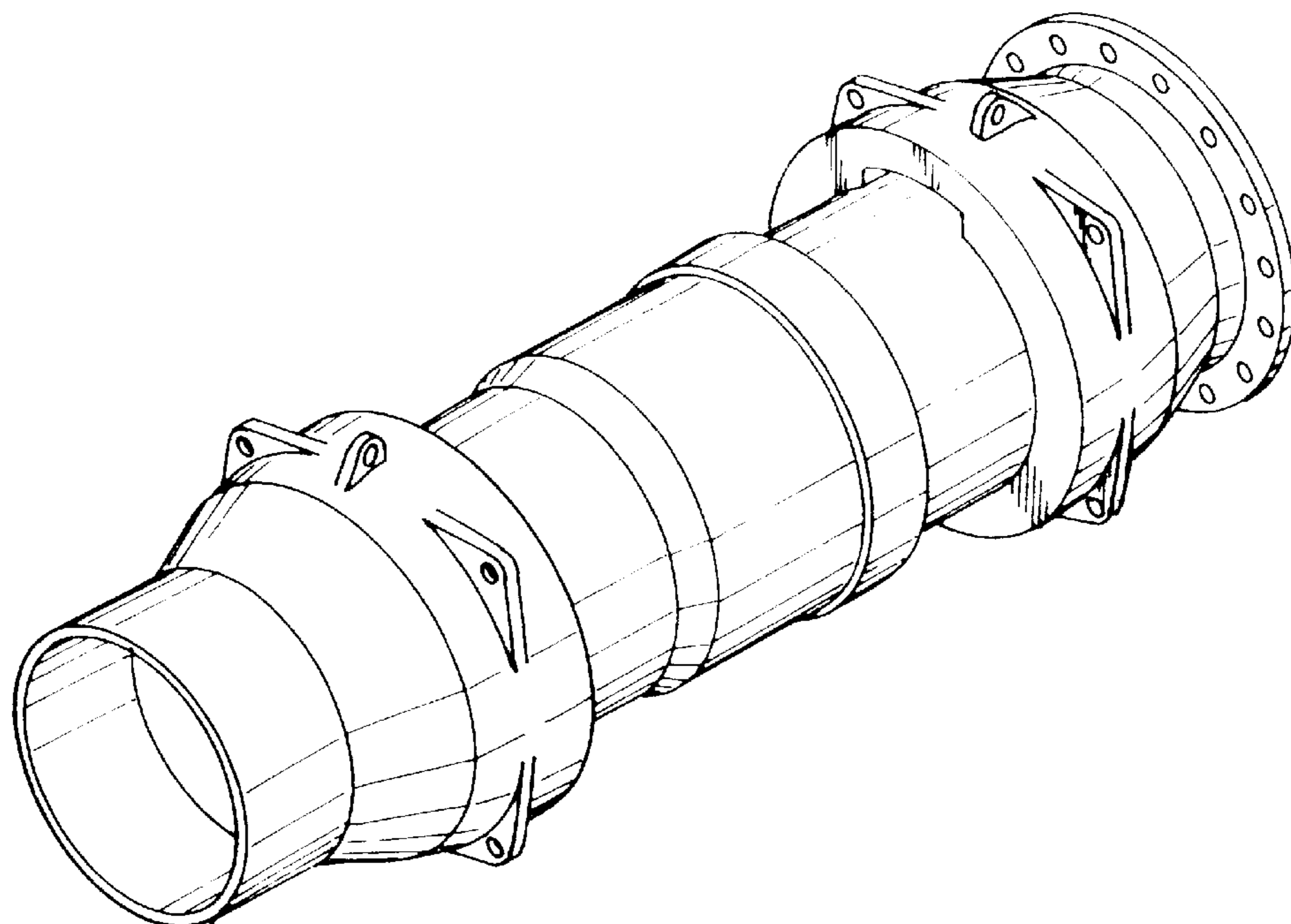


FIG.1

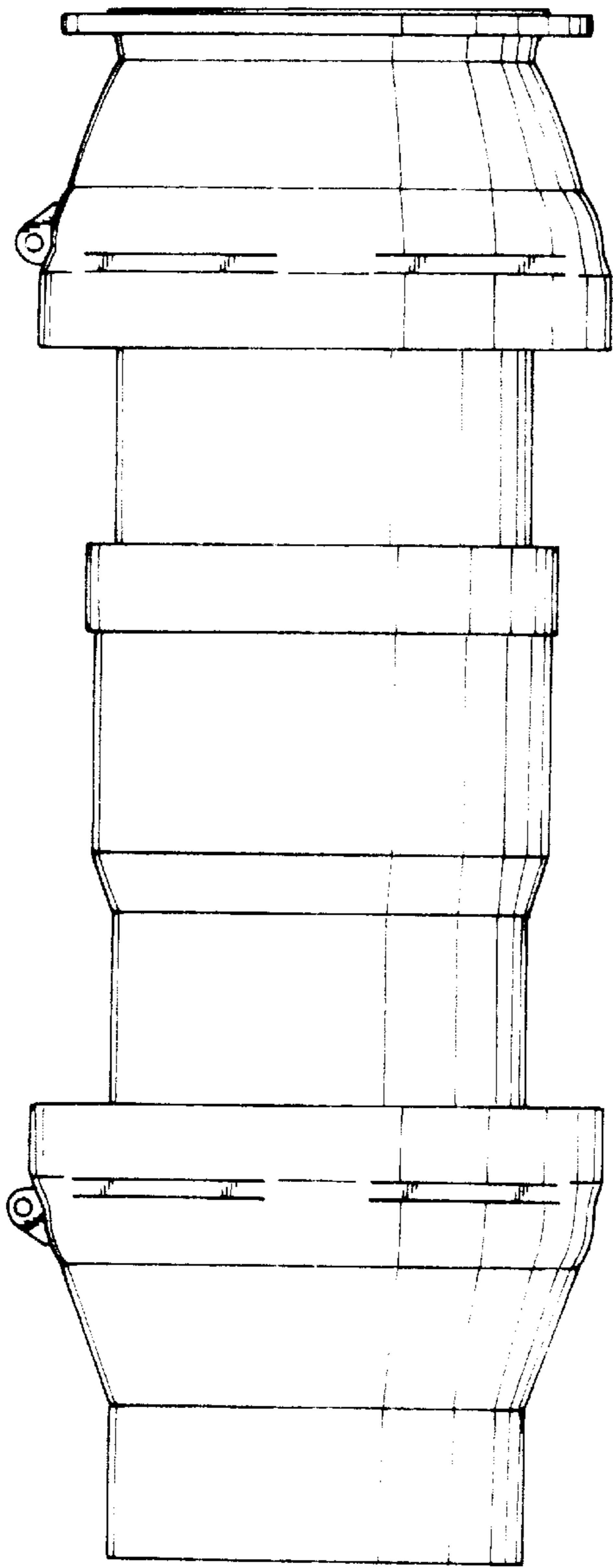


FIG.2

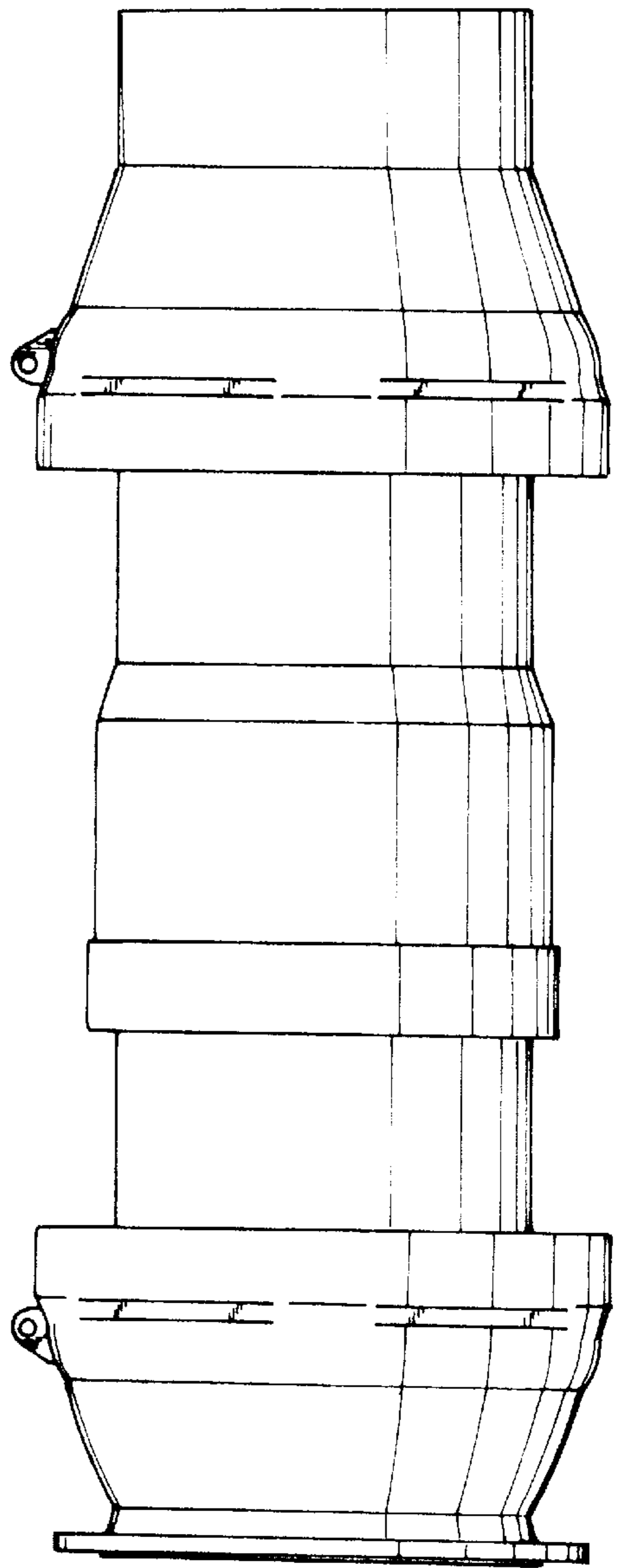


FIG.3

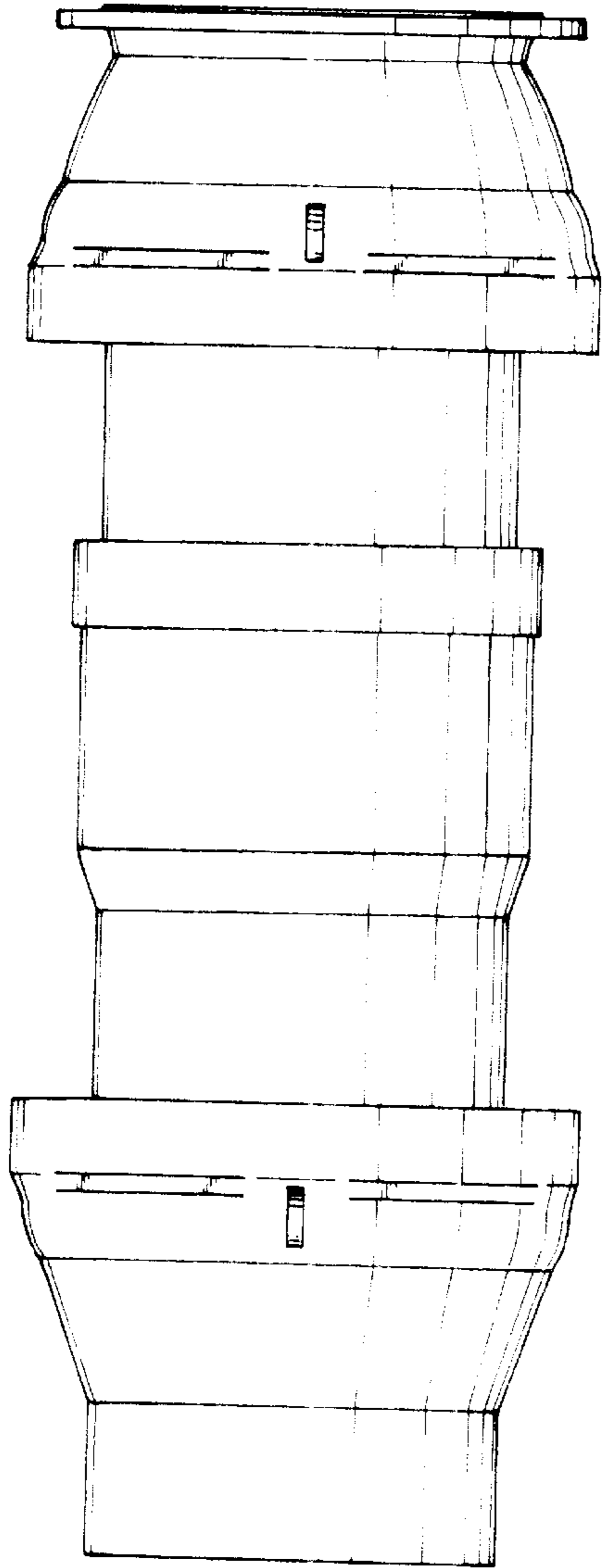


FIG.4

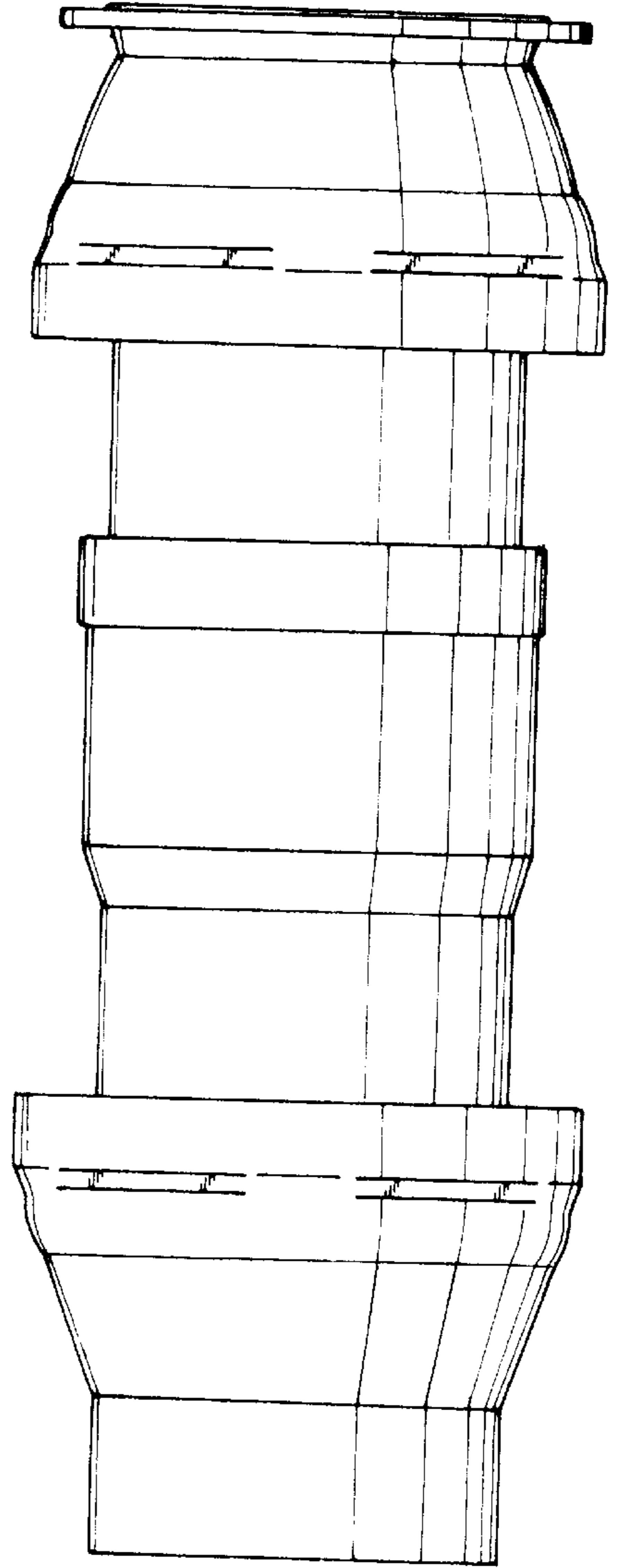


FIG. 5

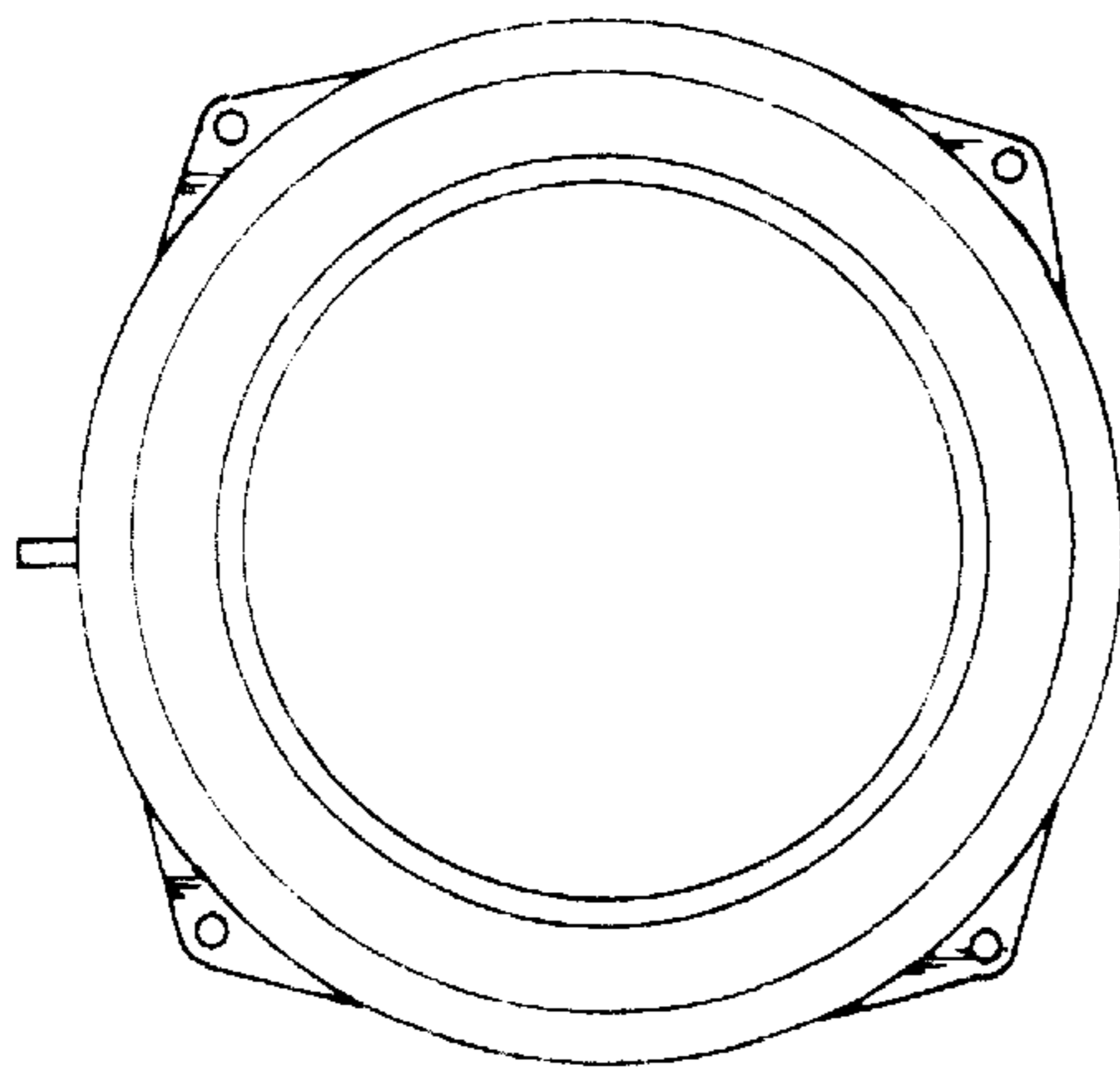


FIG. 6

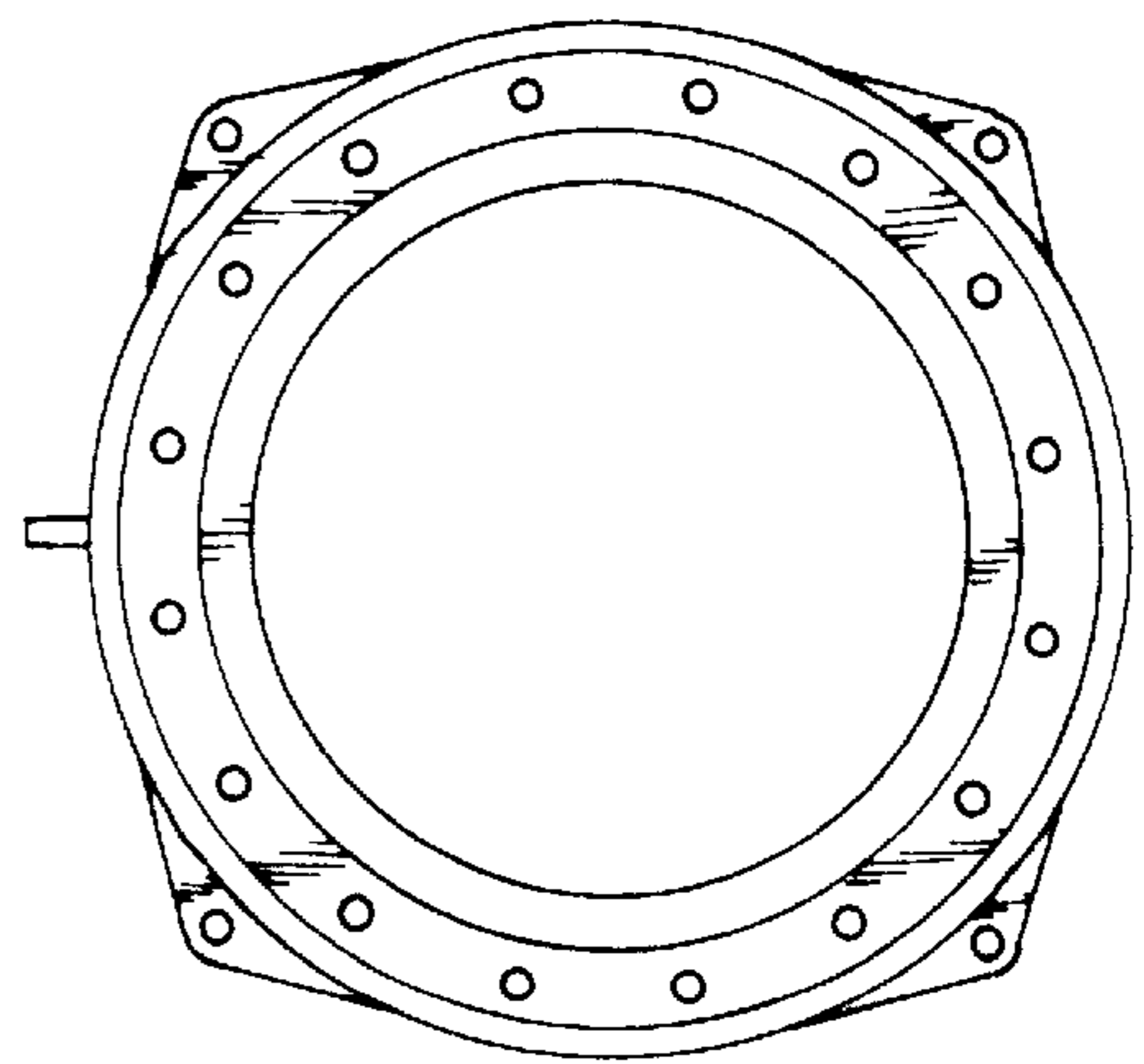


FIG. 7

