



US00D453815S

(12) **United States Design Patent**  
**Hoenig**

(10) **Patent No.:** **US D453,815 S**

(45) **Date of Patent:** **\*\* Feb. 19, 2002**

(54) **FLUID CONNECTOR**

(75) Inventor: **Richard Hoenig**, Weare, NH (US)

(73) Assignee: **Vital Signs, Inc.**

(\*\*) Term: **14 Years**

(21) Appl. No.: **29/140,019**

(22) Filed: **Apr. 11, 2001**

(51) **LOC (7) Cl.** ..... **23-01**

(52) **U.S. Cl.** ..... **D23/259; D23/262**

(58) **Field of Search** ..... **D23/259-262;**  
**285/249; 138/115, 109; 279/43.1, 46.3,**  
**4.07**

(56) **References Cited**

**U.S. PATENT DOCUMENTS**

D235,343 S	*	6/1975	Otto	.....	D23/262
3,991,822 A	*	11/1976	Morris	.....	138/115
5,305,797 A	*	4/1994	Roy	.....	138/115
D407,802 S	*	4/1999	Hatfield et al.	.....	D23/262

5,901,988 A \* 5/1999 Aihara et al. .... 138/115

\* cited by examiner

*Primary Examiner*—Robin V. Taylor

(74) *Attorney, Agent, or Firm*—R. Gale Rhodes, Jr.

(57) **CLAIM**

I claim the ornamental design for the fluid connector, as shown and described.

**DESCRIPTION**

FIG. 1 is a first perspective view taken from a first end of a fluid connector showing my new design;

FIG. 2 is a second perspective view taken from a second end thereof;

FIG. 3 is a front elevational view thereof;

FIG. 4 is a top view thereof;

FIG. 5 is a bottom view thereof;

FIG. 6 is a left end view thereof;

FIG. 7 is a right end view thereof; and,

FIG. 8 is a rear view thereof.

**1 Claim, 2 Drawing Sheets**

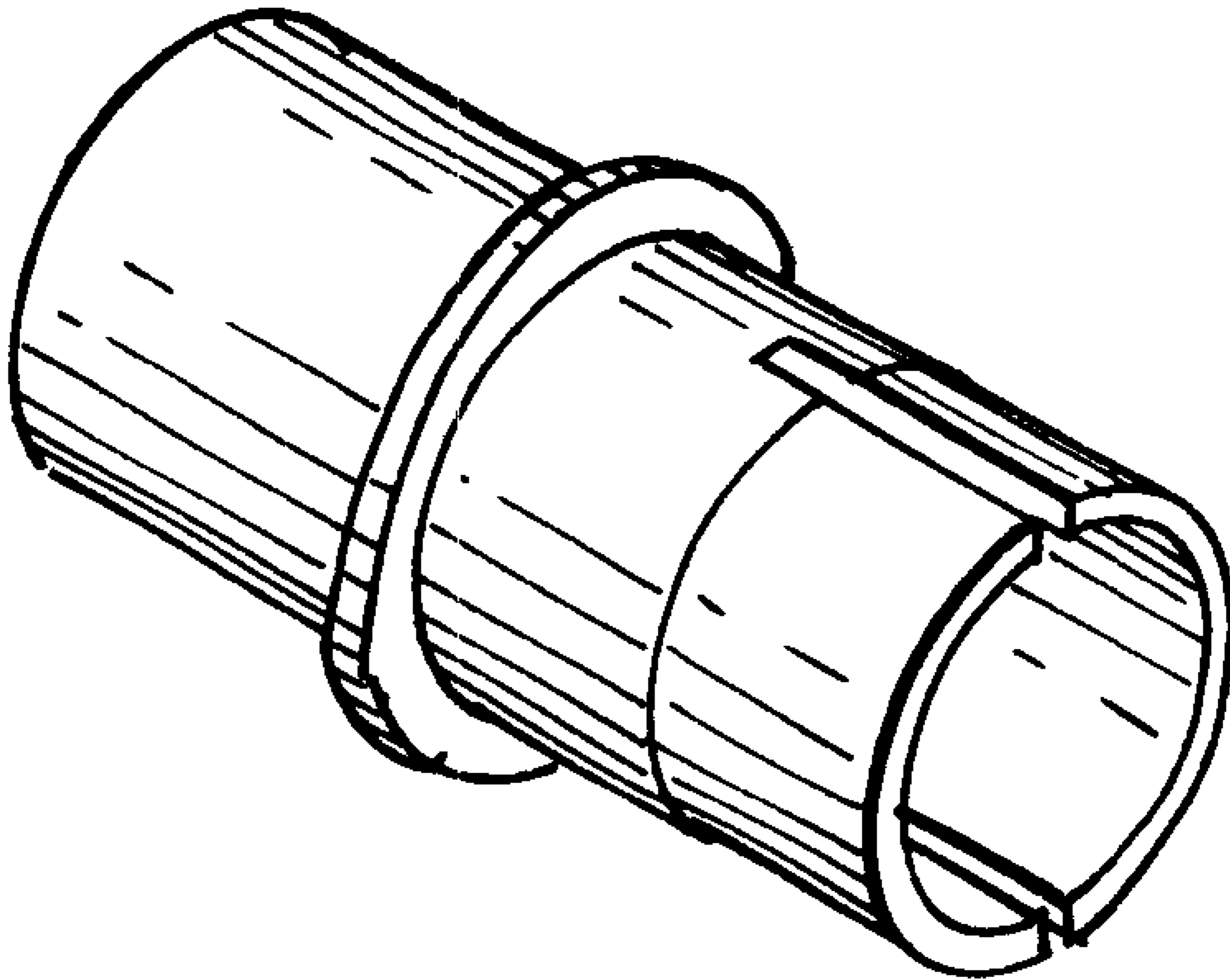


FIG. 1

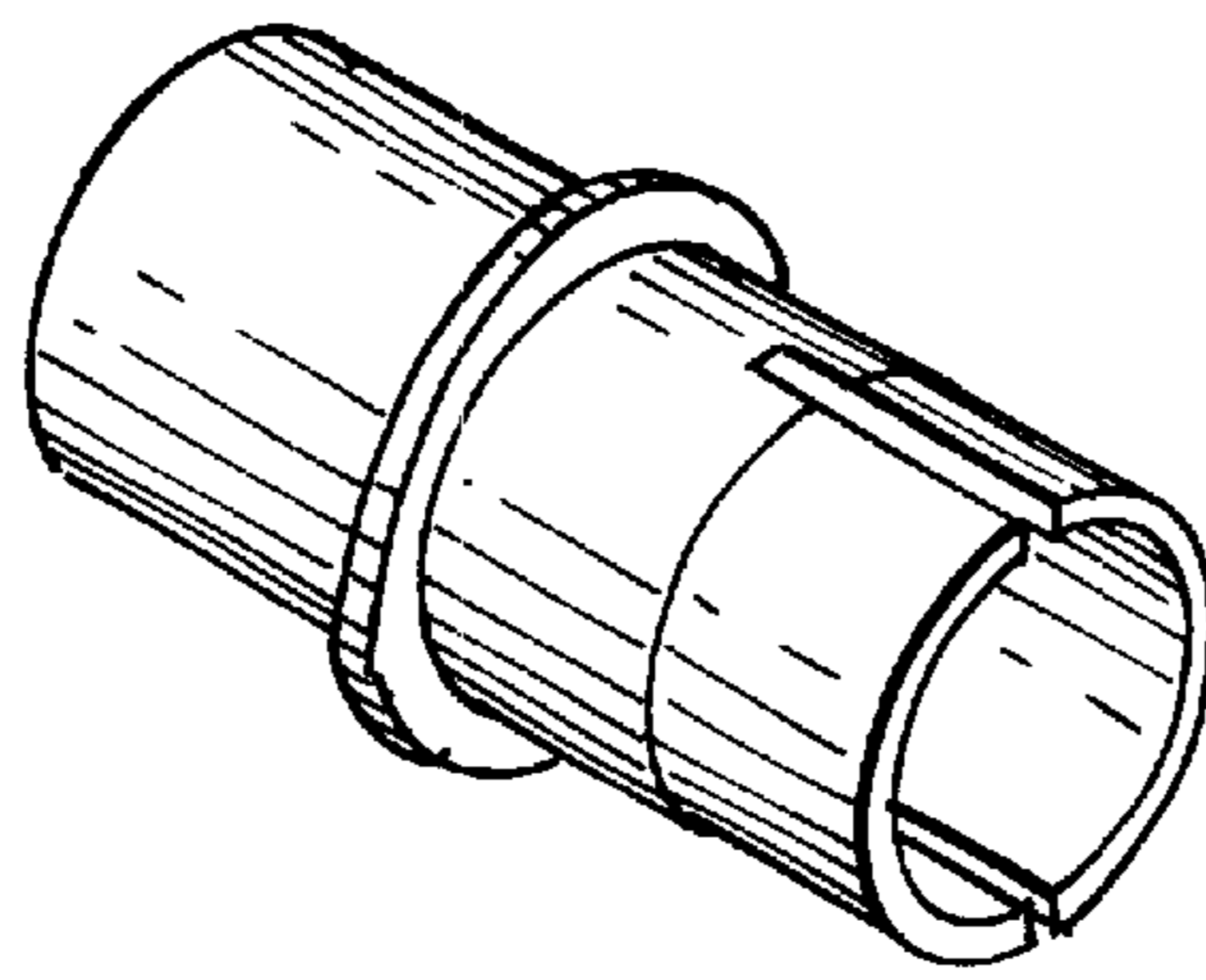


FIG. 2

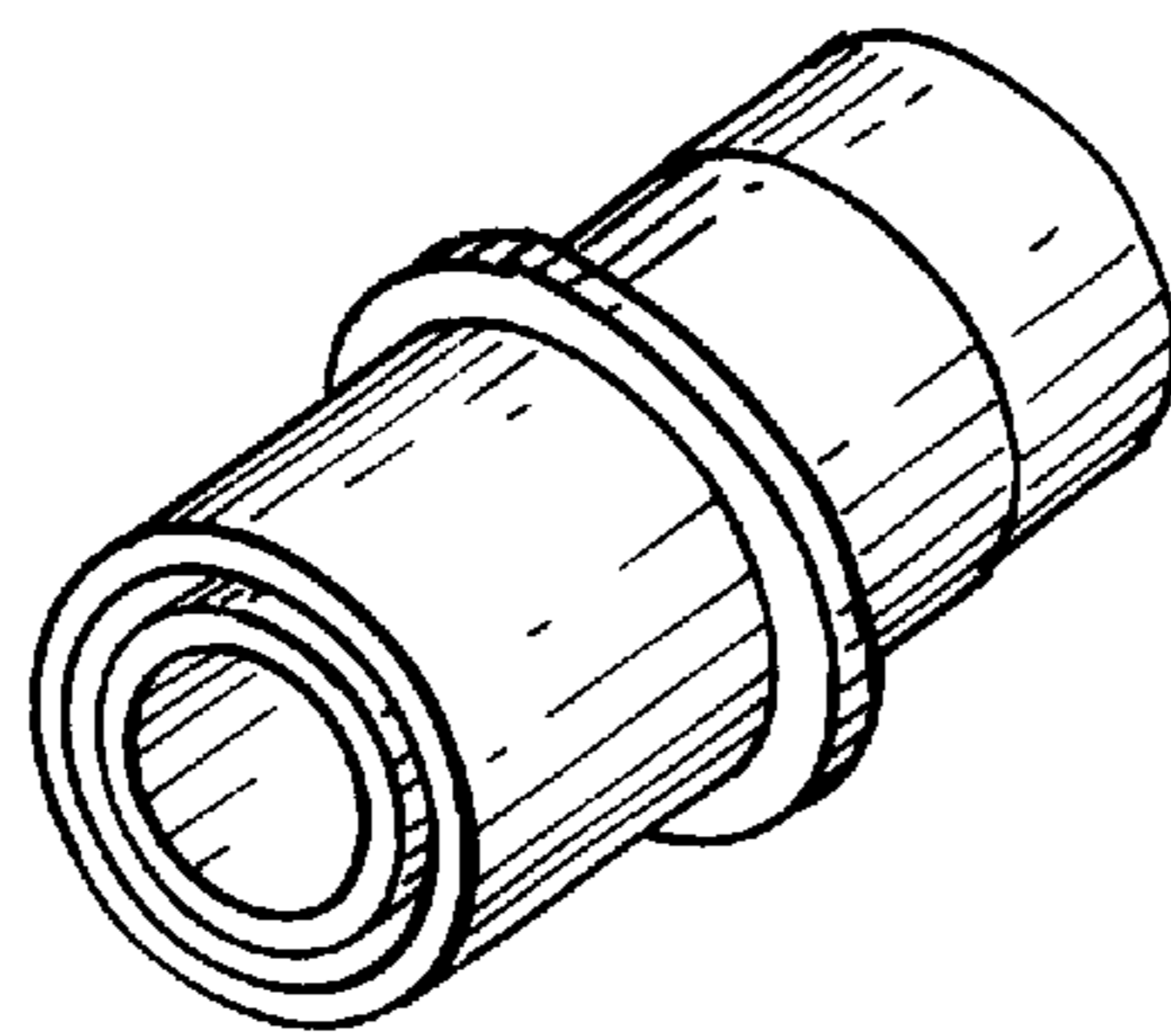


FIG. 3

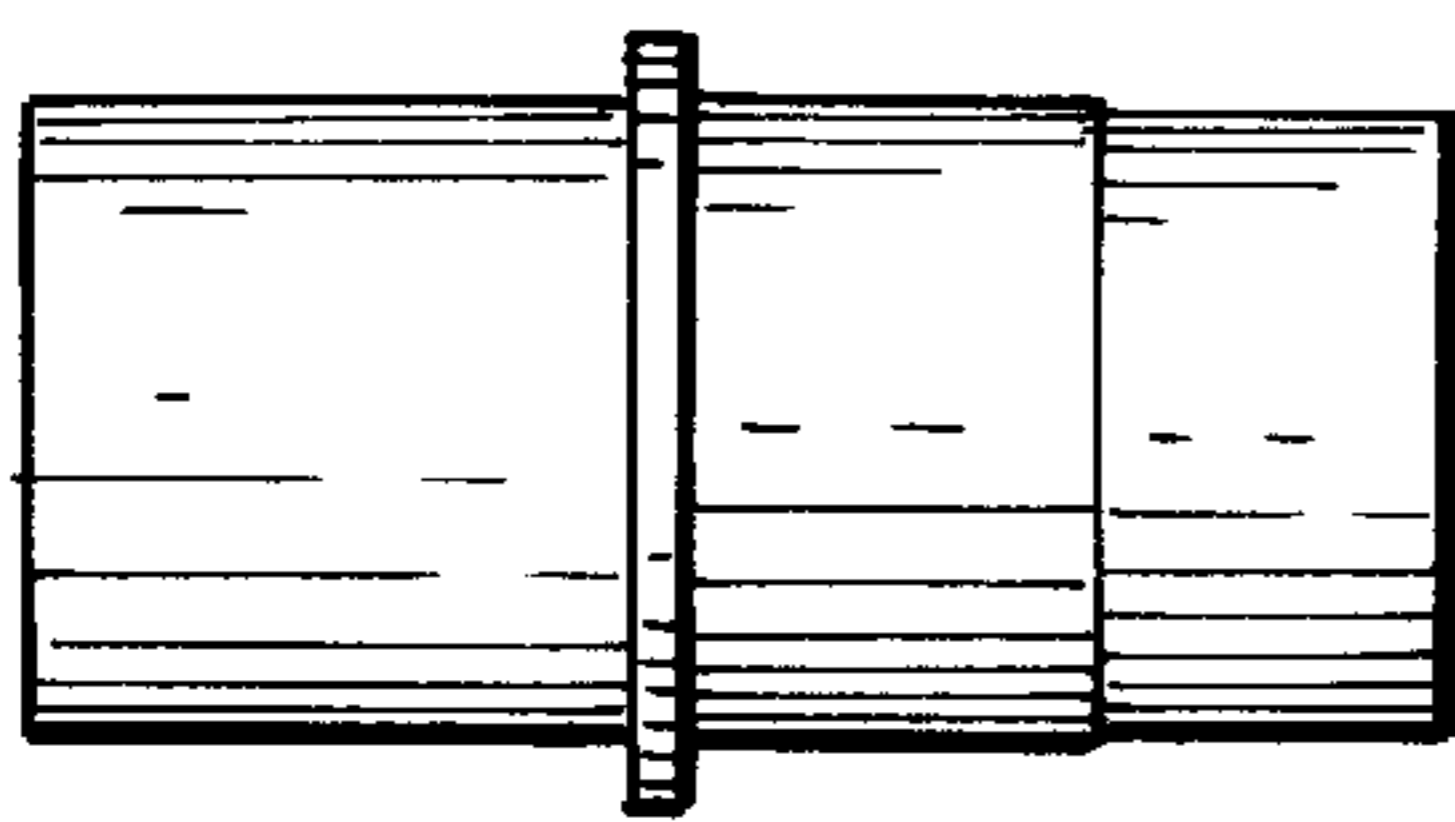


FIG. 4

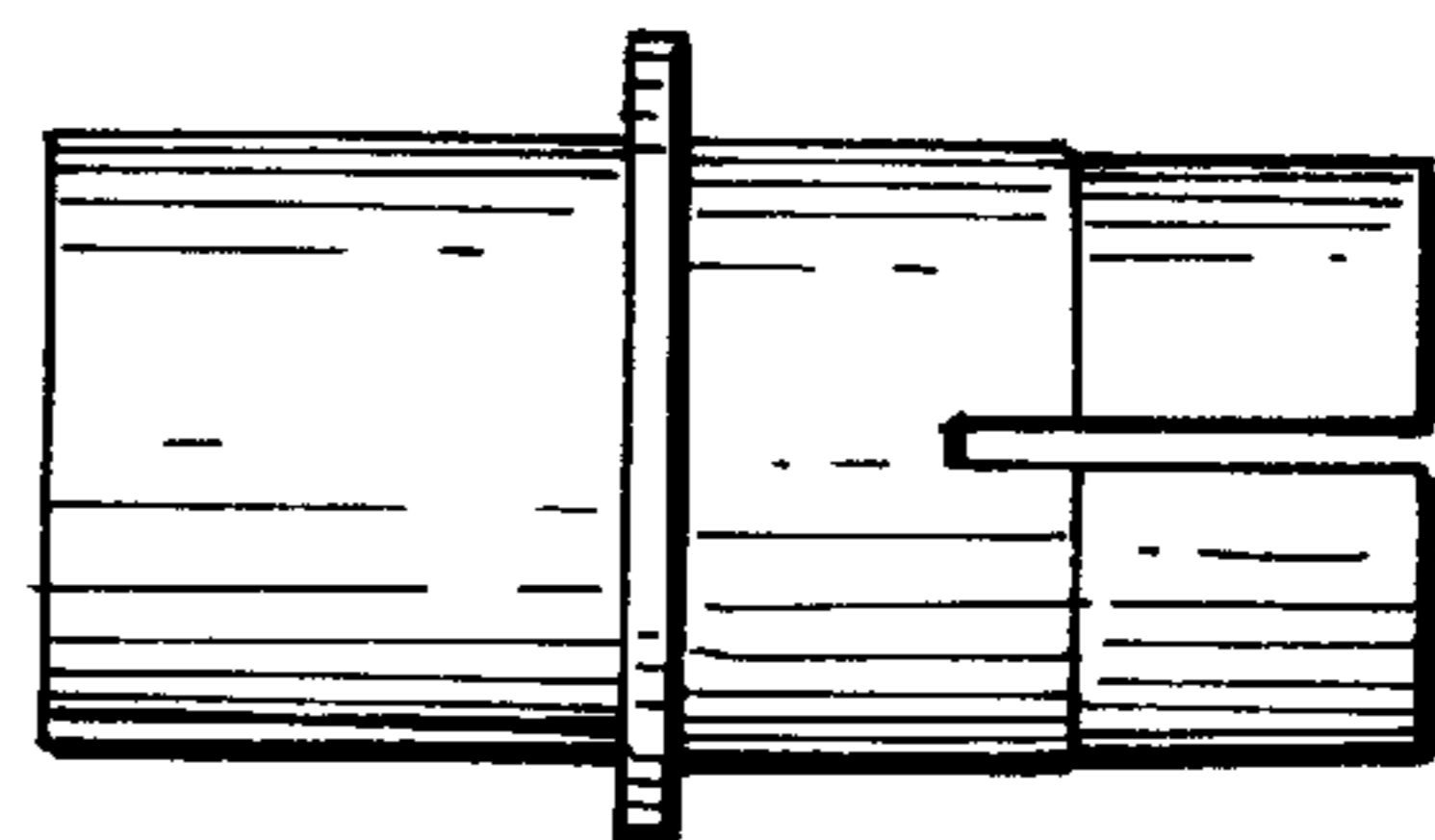


FIG. 5

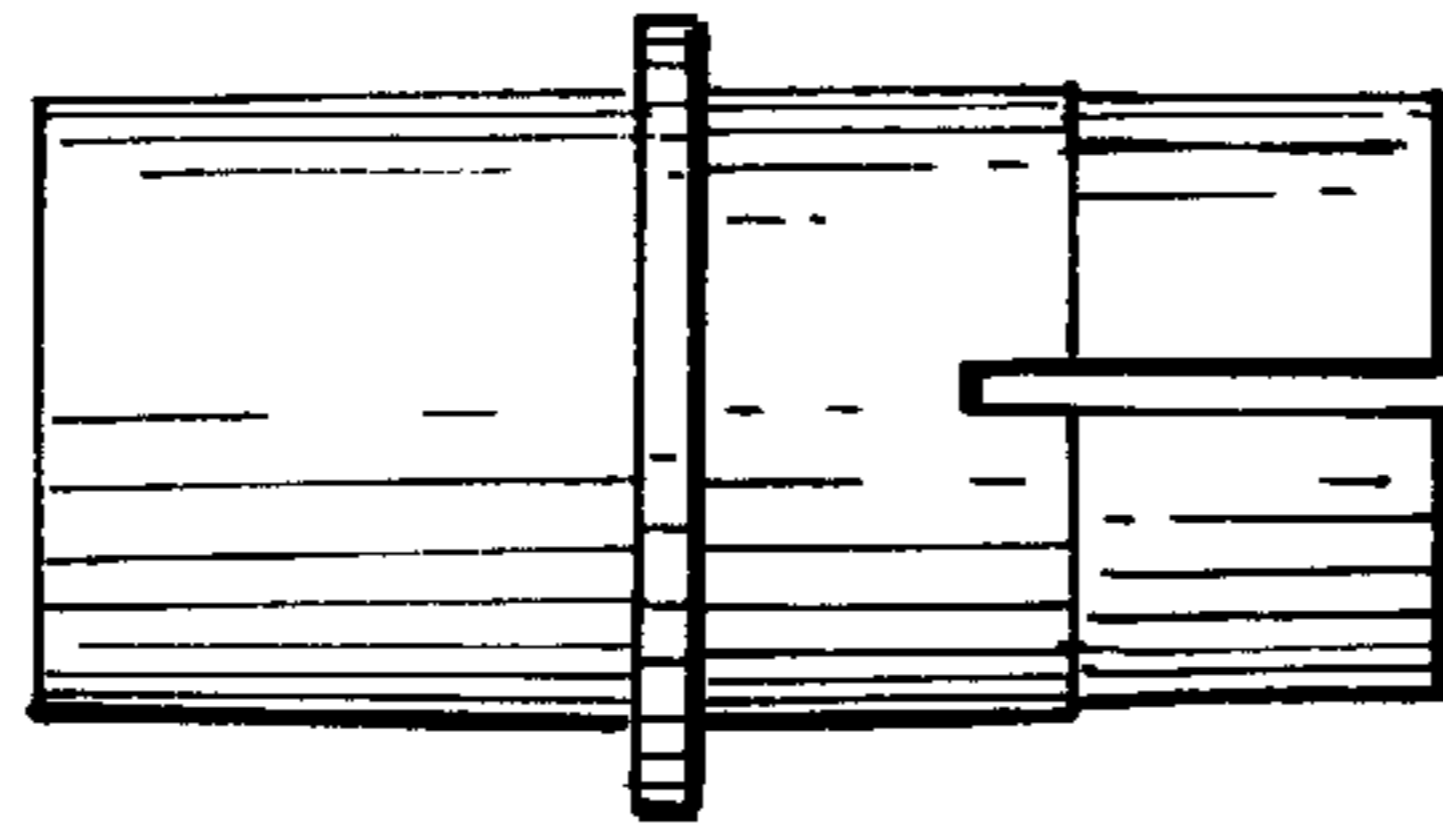


FIG. 6

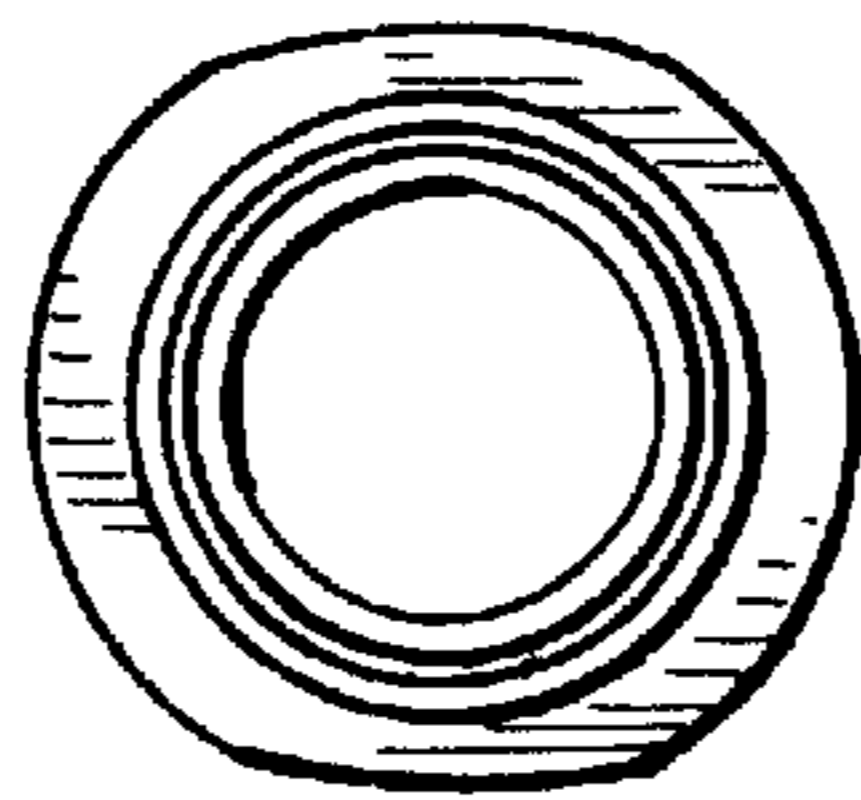


FIG. 7

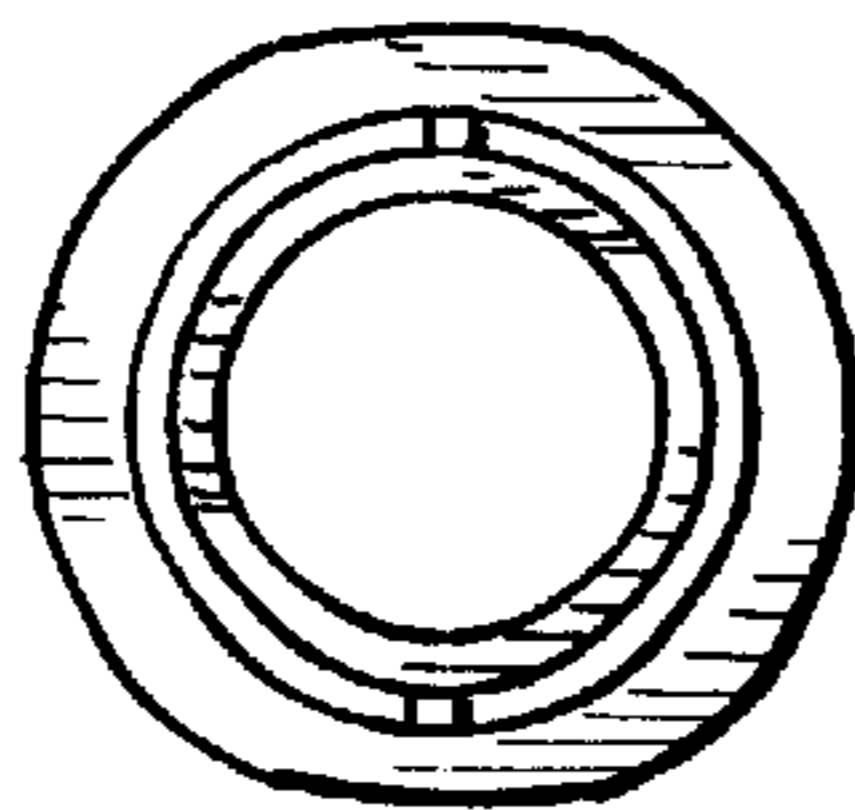


FIG. 8

