



US00D453809S

(12) **United States Design Patent**
Riley, Jr.

(10) **Patent No.:** **US D453,809 S**

(45) **Date of Patent:** **** Feb. 19, 2002**

(54) **AEROBIC WEIGHT**

(76) **Inventor:** **John Riley, Jr.**, 2056 W. 12th St.,
Jacksonville, FL (US) 32209

(**) **Term:** **14 Years**

(21) **Appl. No.:** **29/138,416**

(22) **Filed:** **Mar. 14, 2001**

Related U.S. Application Data

(62) Division of application No. 29/118,832, filed on Feb. 17,
2000.

(51) **LOC (7) Cl.** **21-02**

(52) **U.S. Cl.** **D21/683; D21/680**

(58) **Field of Search** D21/662, 680,
D21/681, 682, 683, 684; 482/105, 106,
108, 44

(56) **References Cited**

U.S. PATENT DOCUMENTS

4,556,215	A	*	12/1985	Tarbox et al.	482/105
5,169,371	A	*	12/1992	Holmes	482/105
D362,702	S	*	9/1995	Winston	D21/683
D370,510	S	*	6/1996	Kissin et al.	D21/683

5,667,446	*	9/1997	Riley, Jr.	482/105	
5,704,883	A	*	1/1998	Eckmann	482/105
5,779,603	A	*	7/1998	Nusbaum	482/105
5,820,526	A	*	10/1998	Hoffman	482/55

* cited by examiner

Primary Examiner—Philip S. Hyder

(74) *Attorney, Agent, or Firm*—Lacasse & Associates;
Randy W. Lacasse

(57) **CLAIM**

The ornamental design for an aerobic weight, substantially
as shown and described.

DESCRIPTION

FIG. 1 illustrates a front view of an aerobic weight.

FIG. 2 illustrates a rear view of the aerobic weight of FIG.
1.

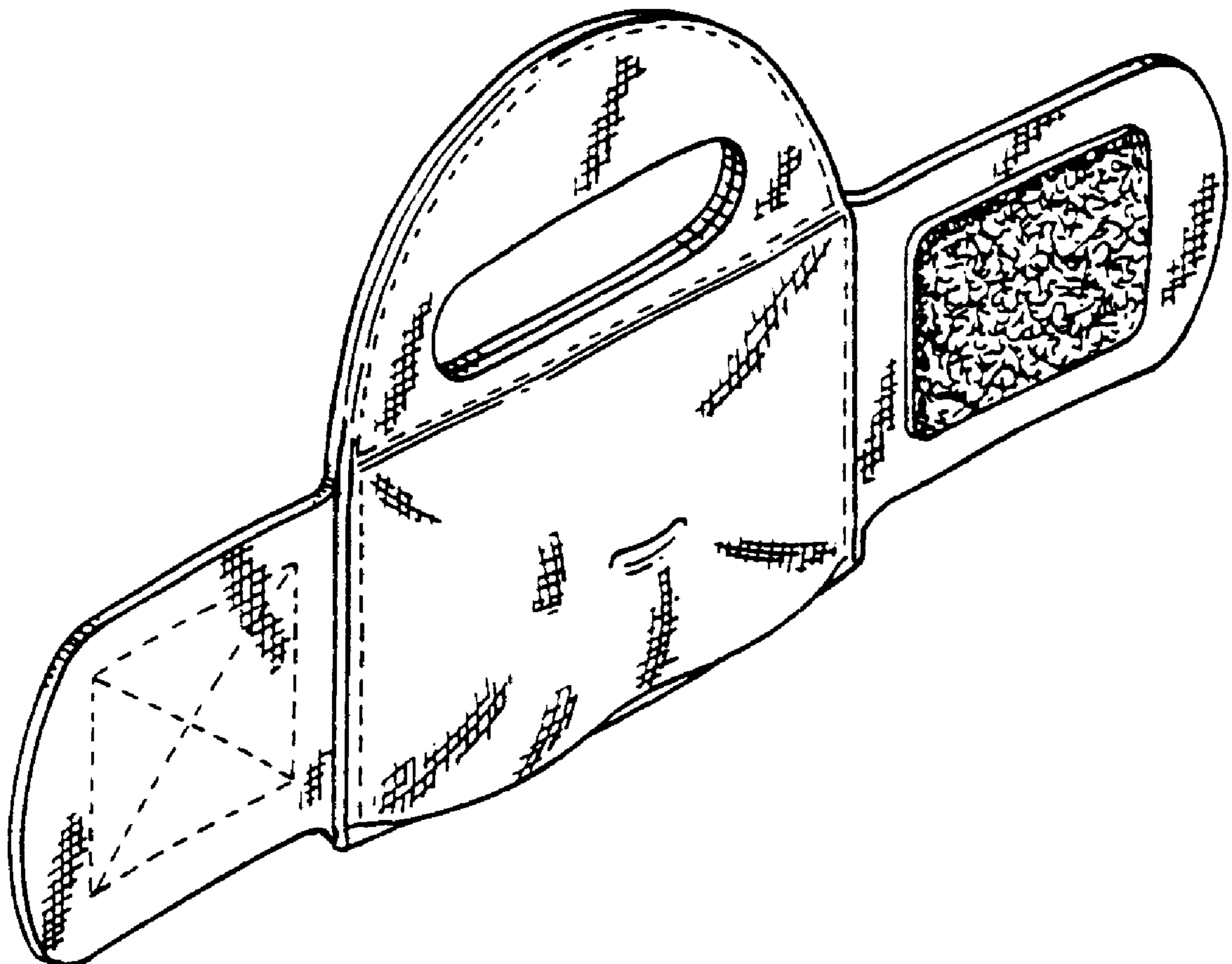
FIG. 3 illustrates a top view of the aerobic weight of FIG. 1.

FIG. 4 illustrates a front view of a multiple flap embodiment
of an aerobic weight.

FIG. 5 illustrates a rear view of a multiple flap embodiment
of an aerobic weight; and,

FIG. 6 illustrates a top view of a multiple flap embodiment
of an aerobic weight.

1 Claim, 2 Drawing Sheets



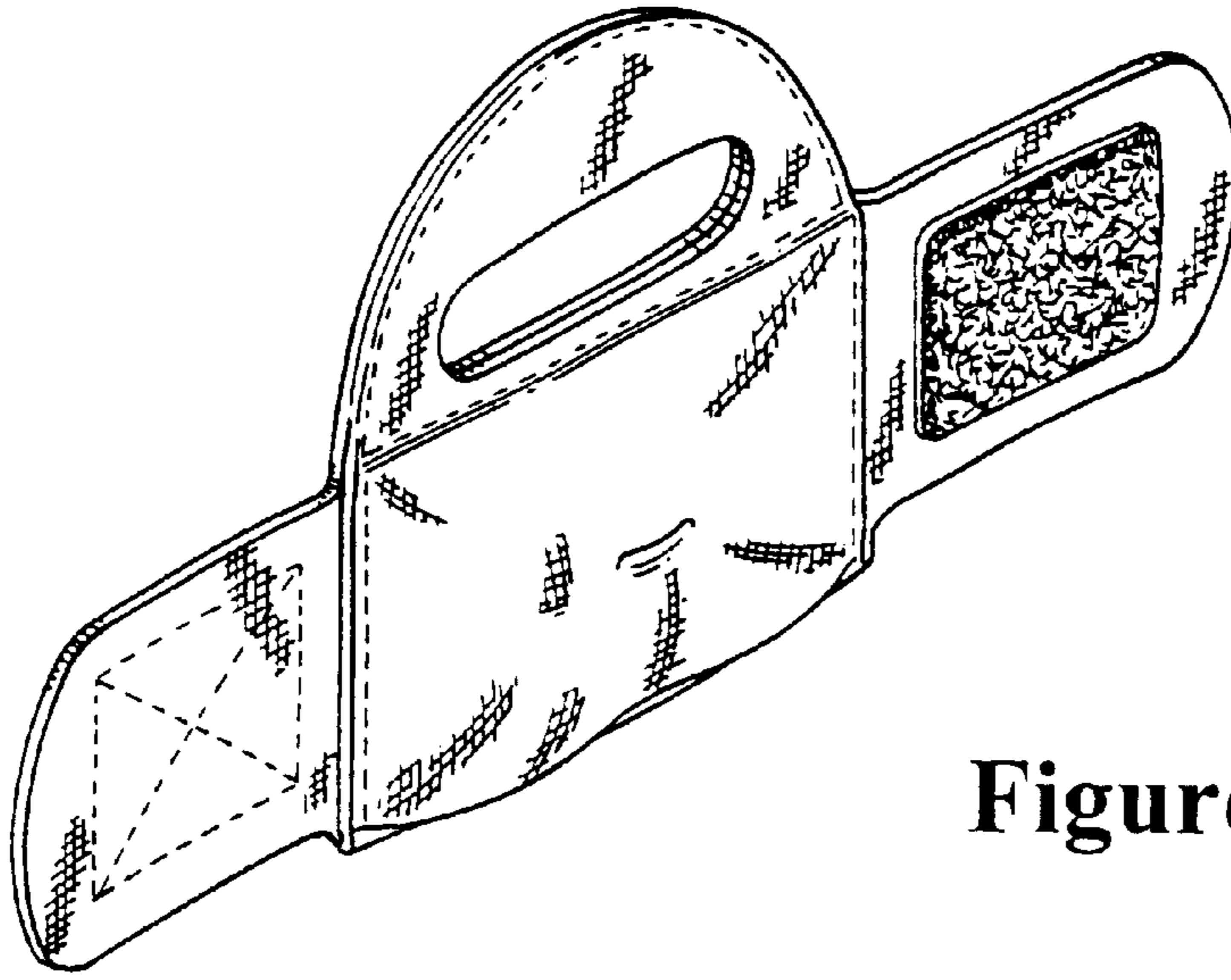


Figure 1

Figure 2

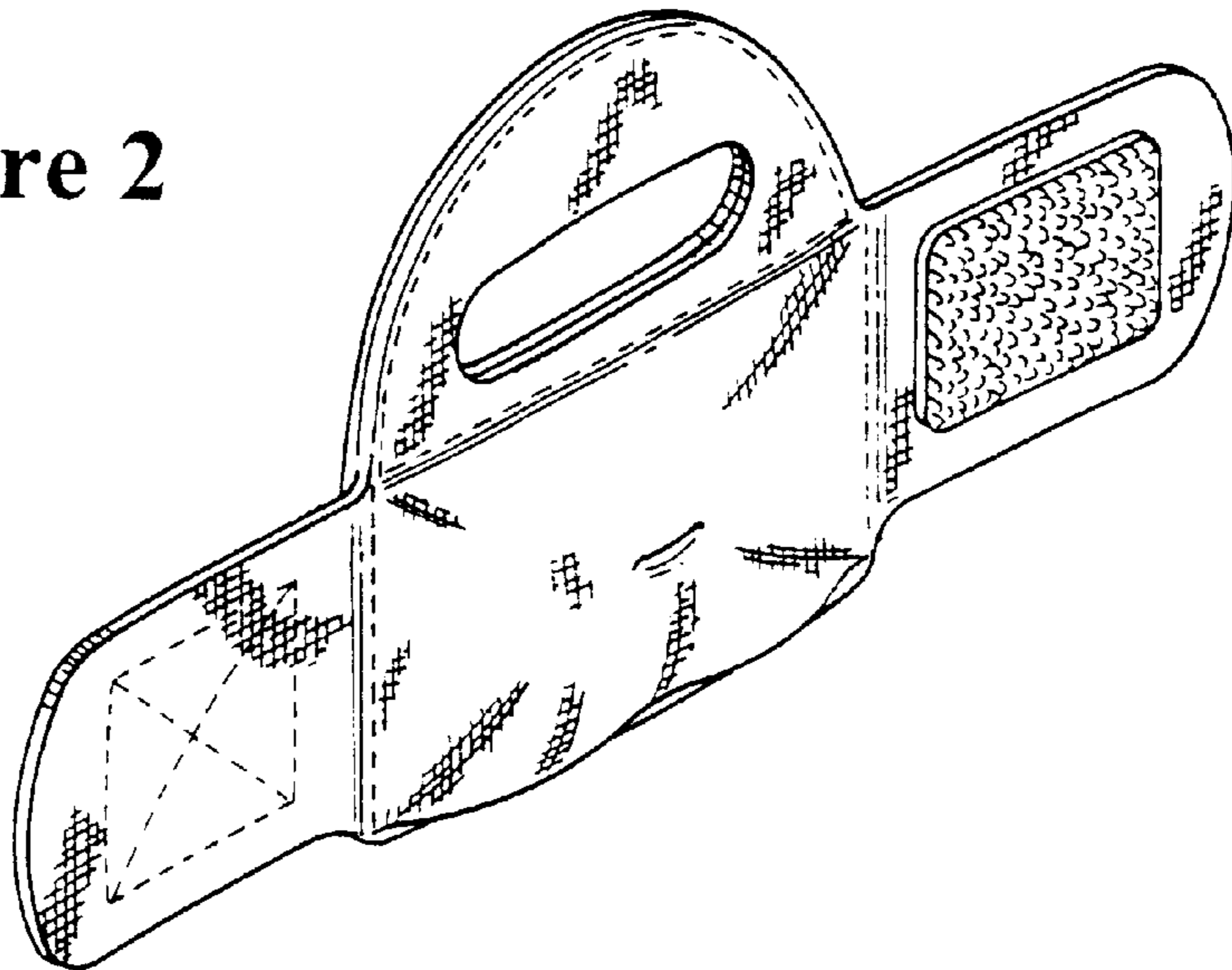
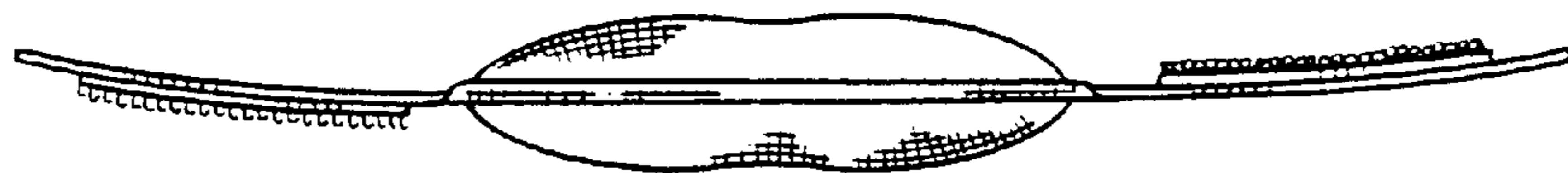


Figure 3



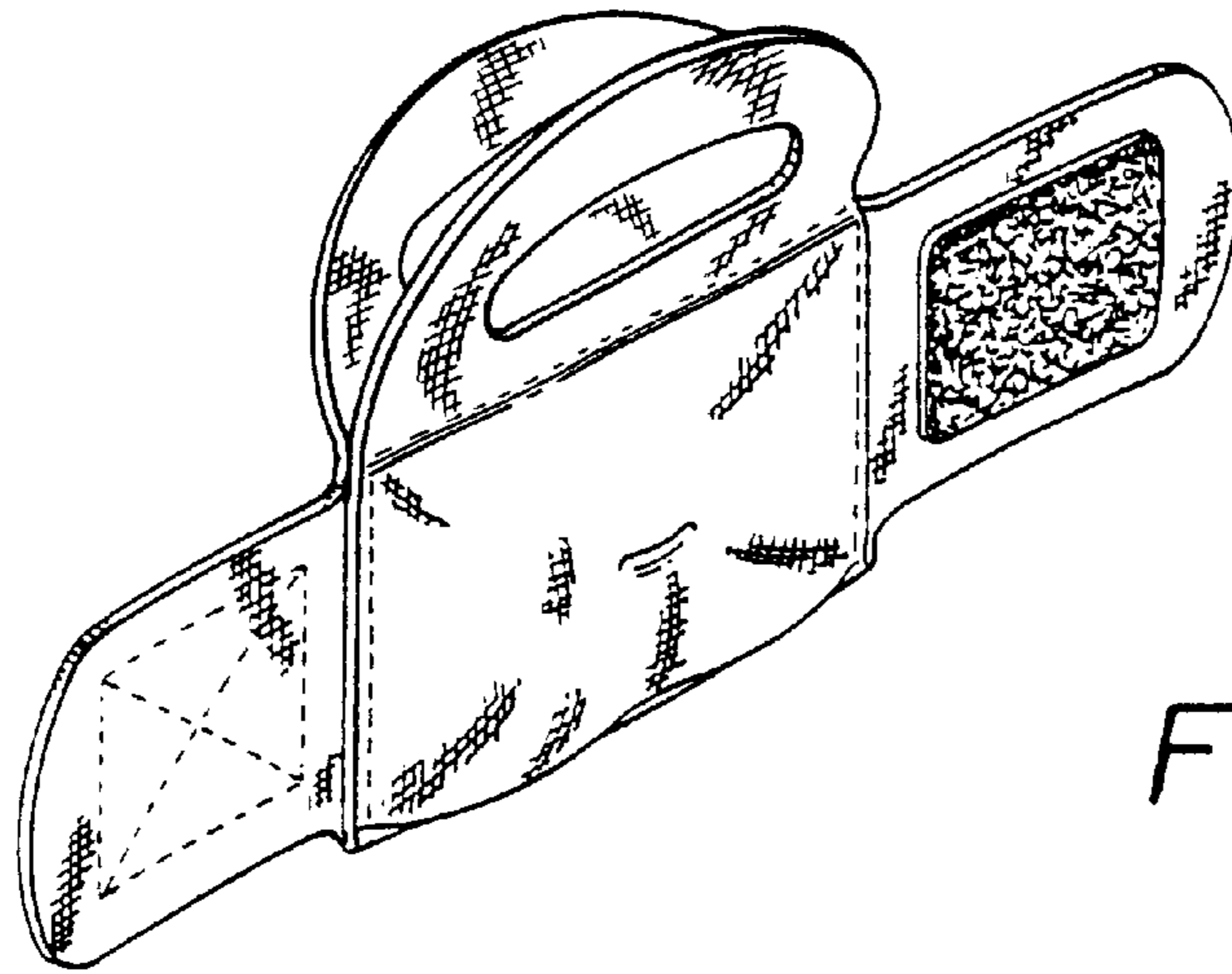


FIG. 4

FIG. 5

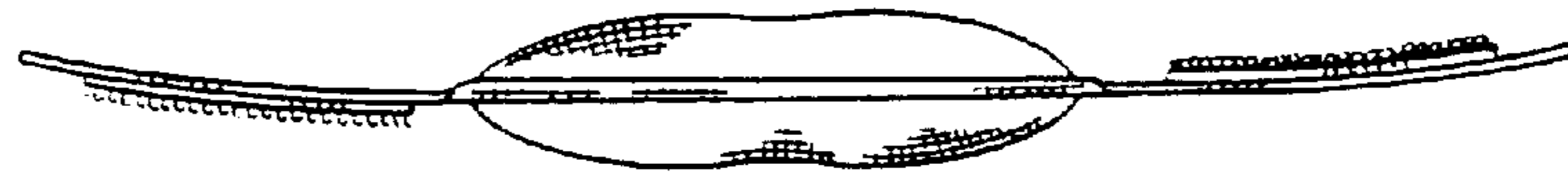
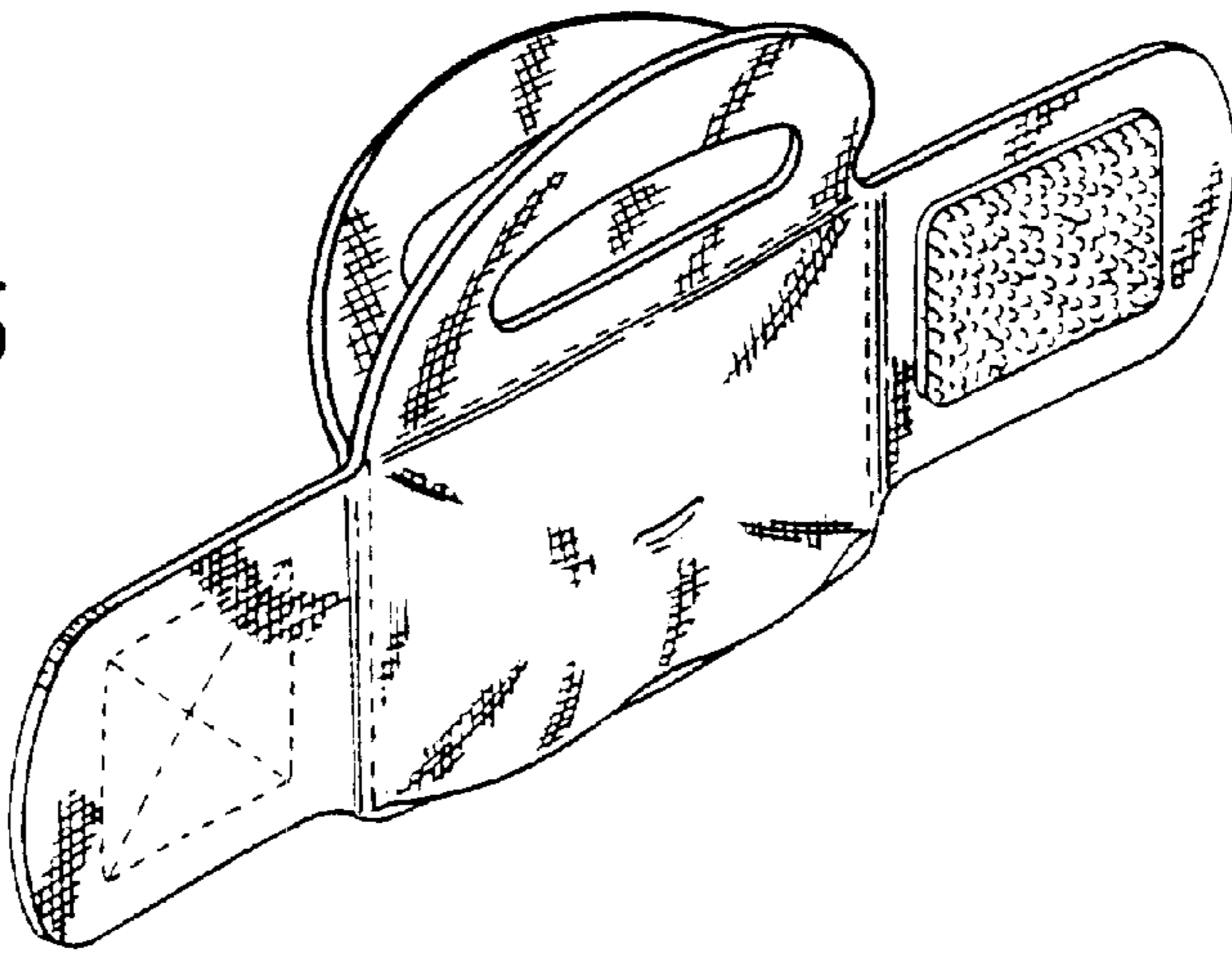


FIG. 6