



US00D453805S

(12) **United States Design Patent**
Lin et al.

(10) **Patent No.:** **US D453,805 S**

(45) **Date of Patent:** **** Feb. 19, 2002**

(54) **CHILDREN'S RIDE-ON MOTORCYCLE**

(75) Inventors: **Lung-Yin Lin**, Nantou Hsien;
Ling-Fang Tsai, Kaohsiung, both of
(TW)

(73) Assignee: **Link Treasure Limited**, Tortola (VG)

(**) Term: **14 Years**

(21) Appl. No.: **29/141,068**

(22) Filed: **May 1, 2001**

(51) **LOC (7) Cl.** **21-01**

(52) **U.S. Cl.** **D21/432**

(58) **Field of Search** D21/419-435,
D21/538; D12/110, 112; 446/424, 425,
427, 433, 440, 454, 456, 457, 462, 465,
470; 280/1.13, 828, 87.01, 87.021, 47.11,
240, 282; 180/219

(56) **References Cited**

U.S. PATENT DOCUMENTS

3,874,700 A * 4/1975 Lohr 280/240
D276,251 S * 11/1984 Wakimura D21/538

D336,316 S * 6/1993 Pang et al. D21/432
D380,989 S * 7/1997 Abe et al. D12/110
5,820,439 A * 10/1998 Hair, III 446/440
D437,007 S * 1/2001 Lerch D21/432

OTHER PUBLICATIONS

Toys R Us Catalog, p. 49, 1993.*

* cited by examiner

Primary Examiner—Raphael Barkai

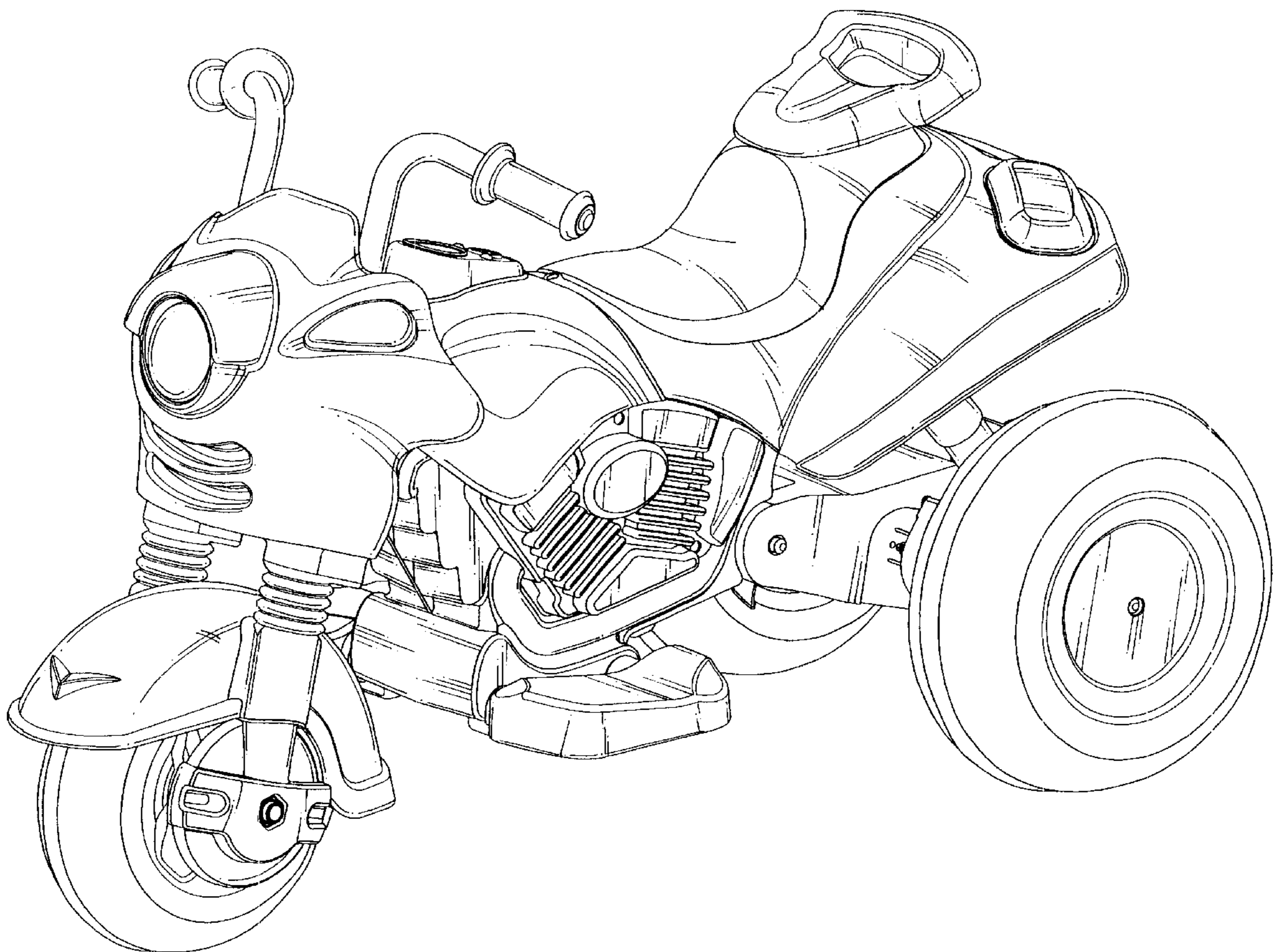
(57) **CLAIM**

The ornamental design for a children's ride-on motorcycle,
as shown and described.

DESCRIPTION

FIG. 1 is a perspective view of a children's ride-on motor-
cycle, showing our new design;
FIG. 2 is right side elevational view thereof;
FIG. 3 is a top view thereof;
FIG. 4 is front view thereof;
FIG. 5 is a bottom view thereof;
FIG. 6 is a left side elevational view thereof; and,
FIG. 7 is a rear view thereof.

1 Claim, 7 Drawing Sheets



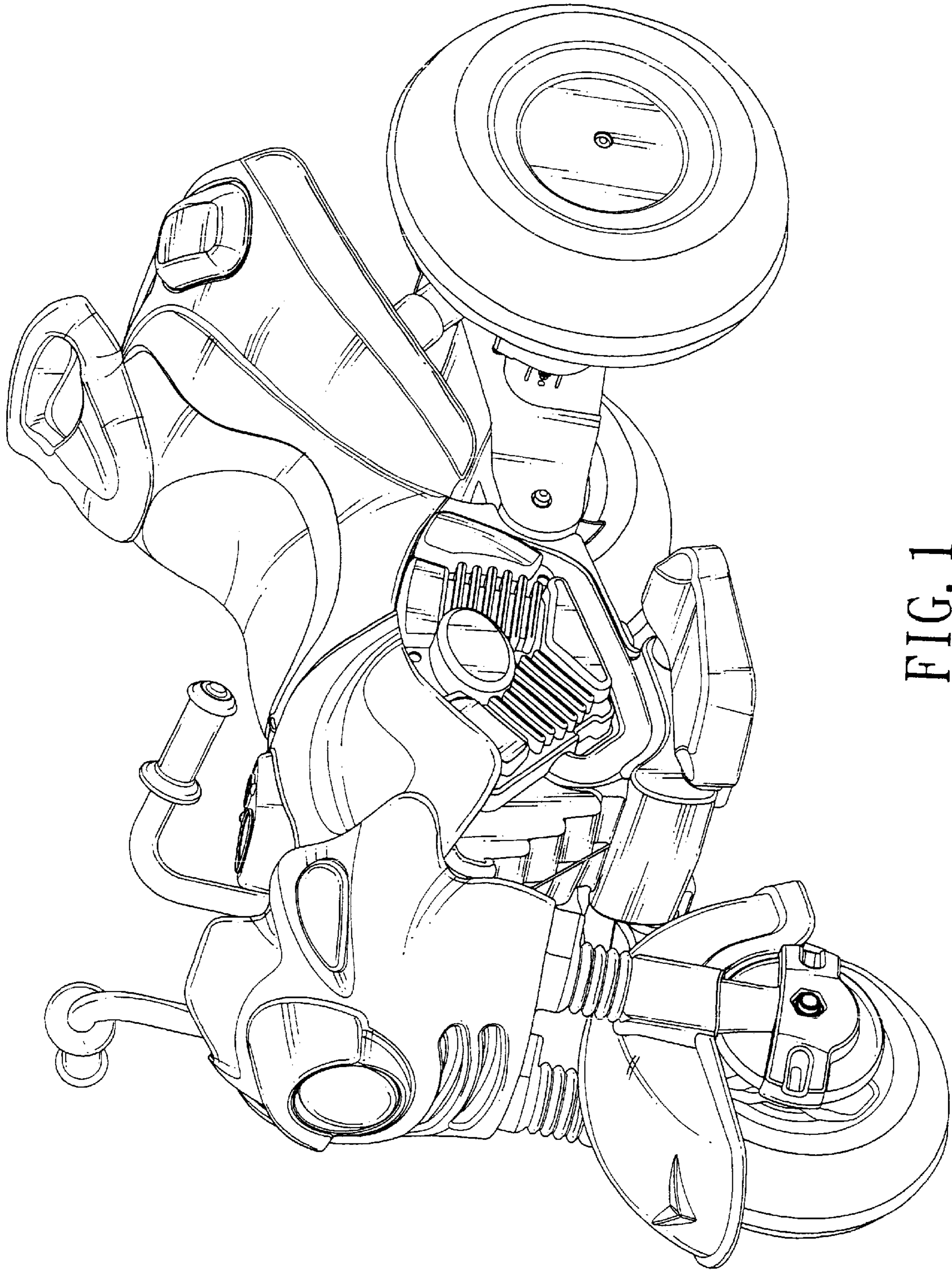


FIG. 1

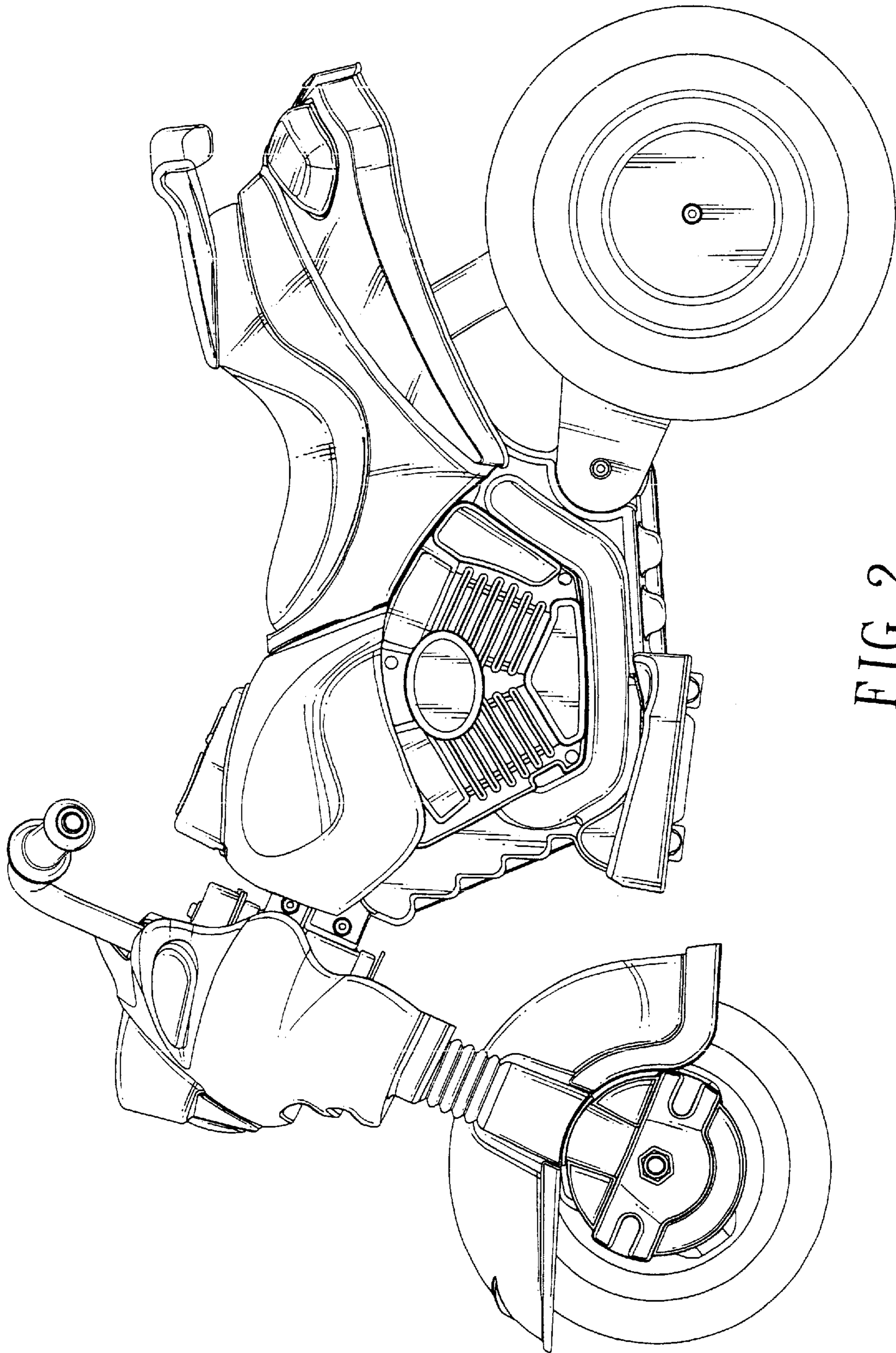


FIG. 2

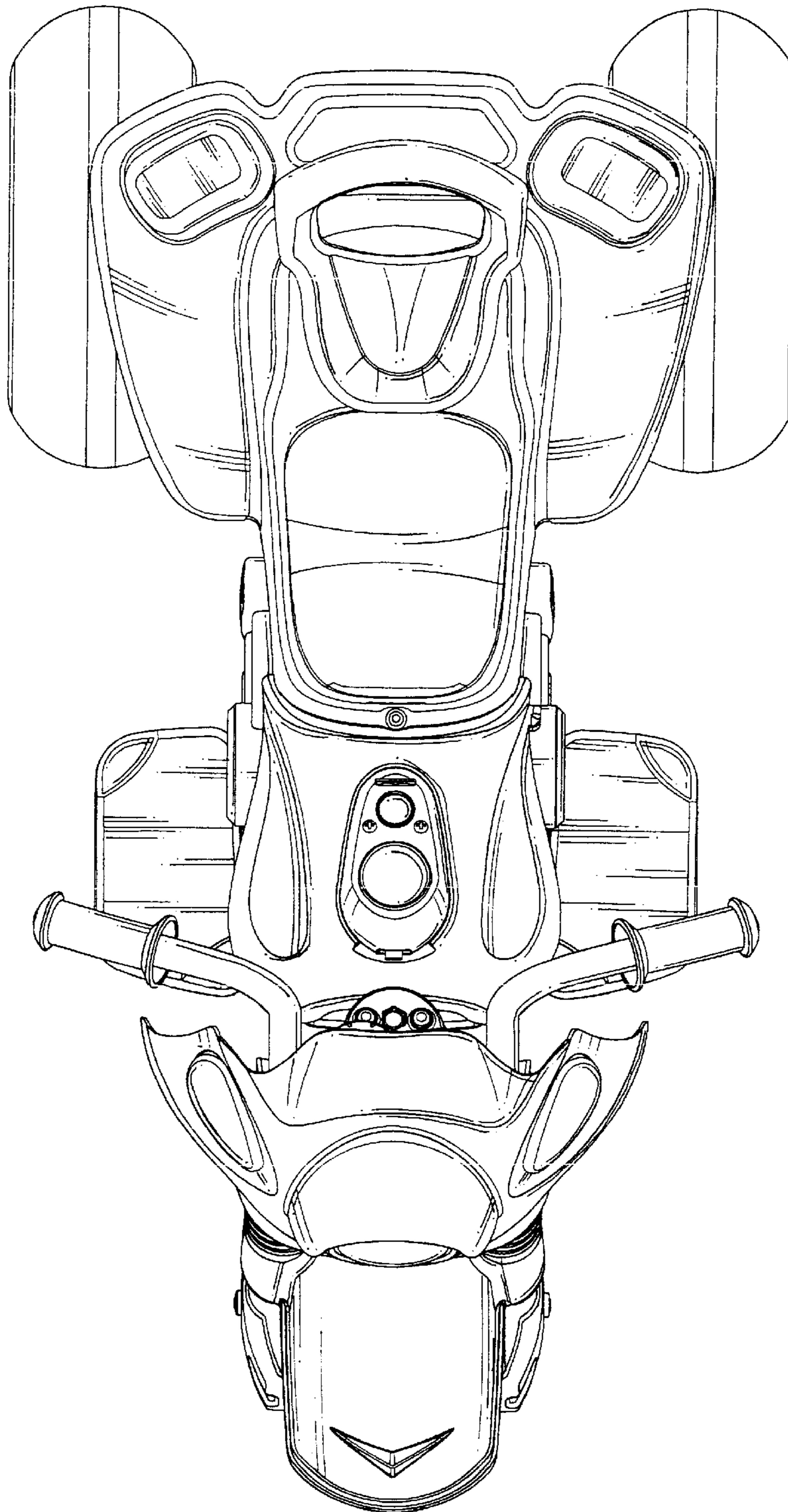


FIG. 3

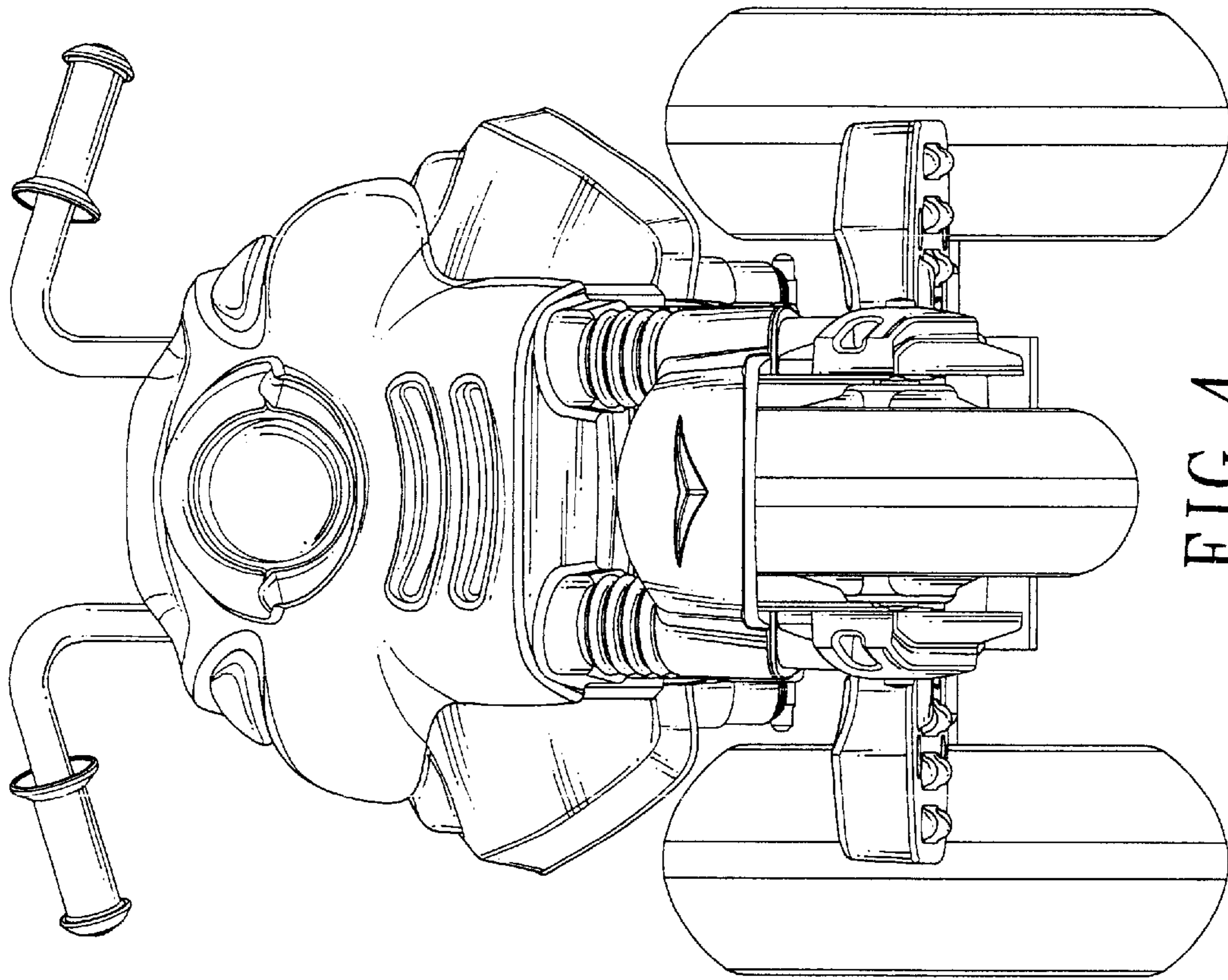


FIG. 4

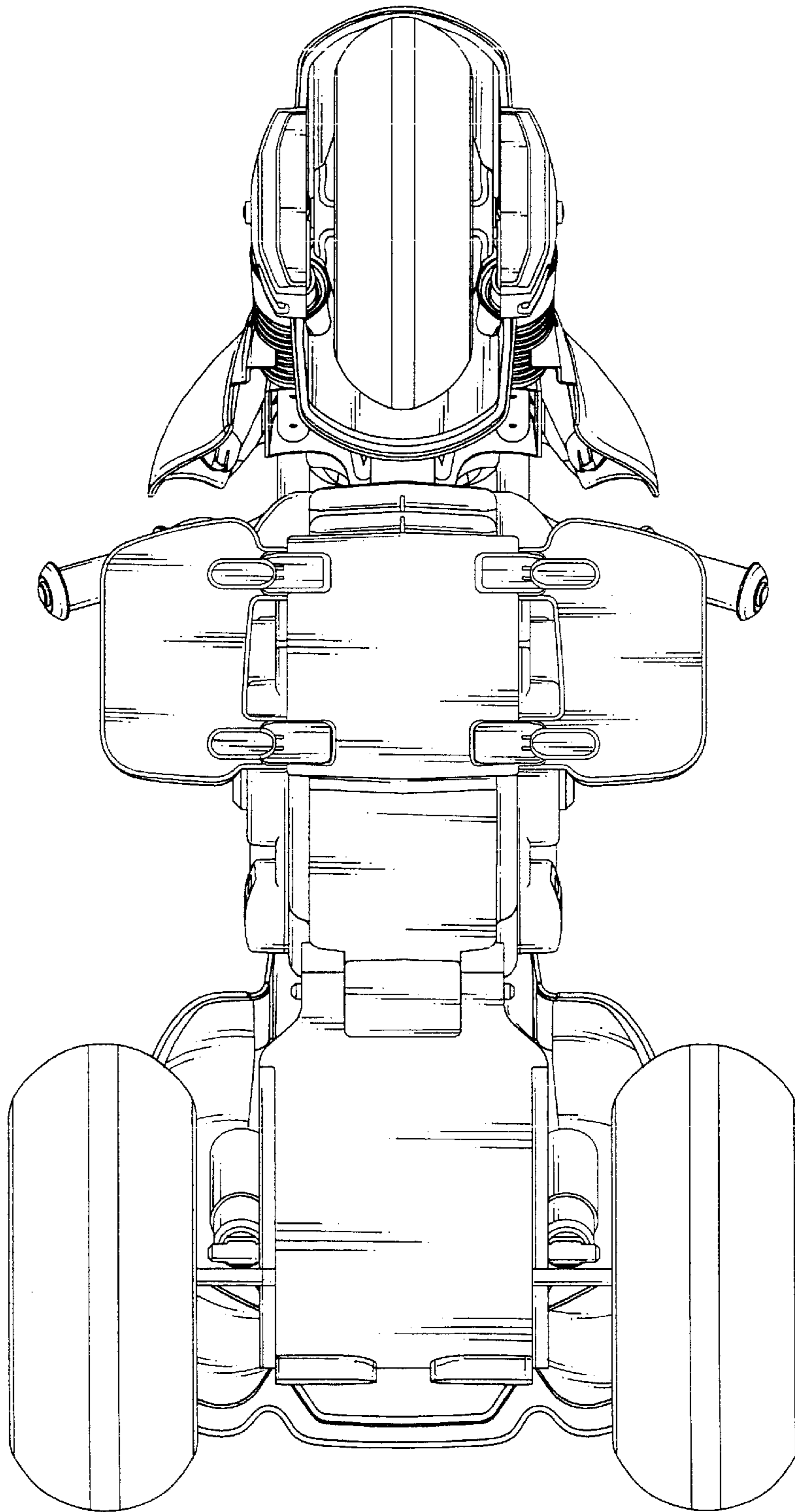


FIG. 5

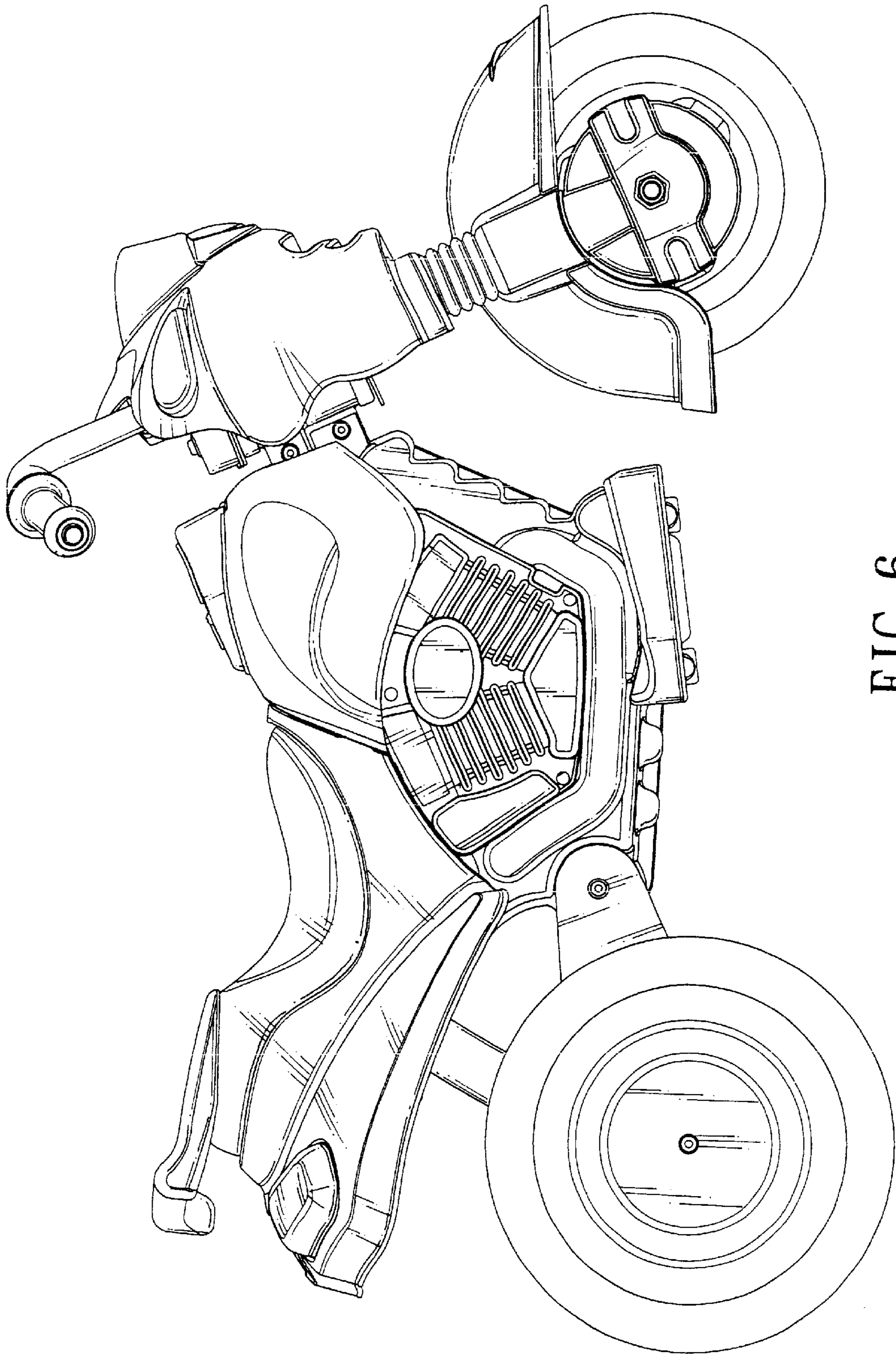


FIG. 6

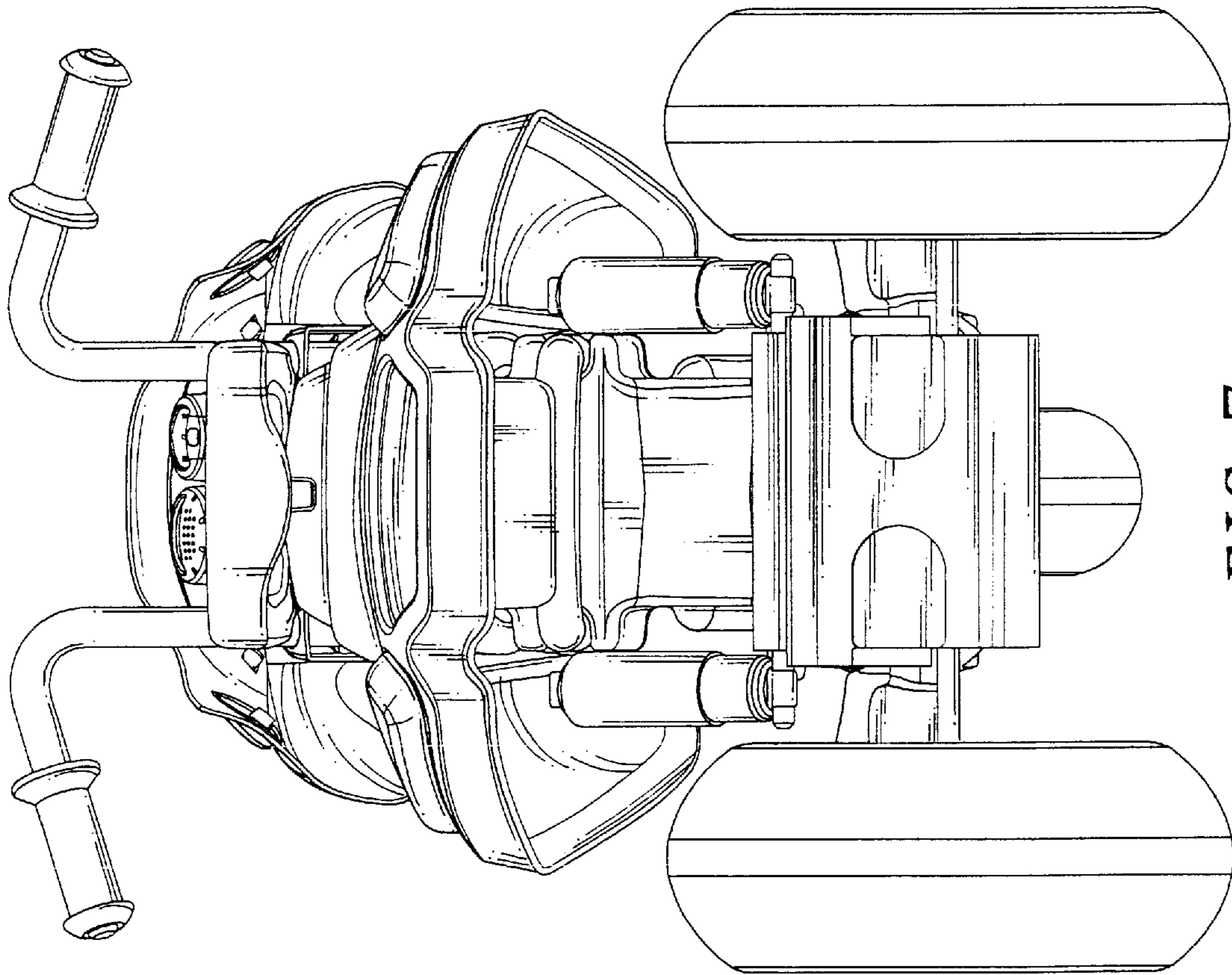


FIG. 7