



US00D453804S

(12) **United States Design Patent**  
**Robinson**

(10) **Patent No.:** **US D453,804 S**

(45) **Date of Patent:** **\*\* Feb. 19, 2002**

- (54) **MOTORIZED SCOOTER**
- (75) Inventor: **Glenn Robinson**, Monmouth Junction, NJ (US)
- (73) Assignee: **Think Tek, Inc.**, Parsippany, NJ (US)
- (\*\*) Term: **14 Years**
- (21) Appl. No.: **29/139,639**
- (22) Filed: **Apr. 4, 2001**
- (51) **LOC (7) Cl.** ..... **21-01**
- (52) **U.S. Cl.** ..... **D21/423**
- (58) **Field of Search** ..... D21/419, 421, D21/423, 424, 426, 435, 533, 760, 765, 771; D12/107, 110-112; 280/87.01, 87.04, 87.041, 87.042, 87.05; 180/181, 216, 219

- 4,861,055 A 8/1989 Jones
- D317,954 S 7/1991 Cohen
- D326,290 S \* 5/1992 Badsey ..... D21/423
- D330,394 S 10/1992 Cohen
- 5,183,129 A 2/1993 Powell
- D337,794 S 7/1993 Cornett
- 5,265,695 A 11/1993 Piazzi
- 5,337,609 A 8/1994 Hsu
- D352,921 S 11/1994 Pepe
- 5,388,659 A 2/1995 Pepe
- 5,419,570 A 5/1995 Ballotté
- 5,491,390 A 2/1996 McGreen
- 5,622,759 A 4/1997 Fuster
- 5,775,452 A 7/1998 Patmont
- 5,848,660 A \* 12/1998 McGreen ..... 280/87.041
- 5,894,898 A 4/1999 Catto
- 5,927,733 A 7/1999 Banda
- D414,220 S 9/1999 Catto
- 6,012,539 A 1/2000 Patmont
- 6,095,274 A 8/2000 Patmont
- 6,120,044 A 9/2000 Tsai
- D433,718 S \* 11/2000 McGreen ..... D21/423
- 6,158,751 A 12/2000 Wu et al.
- 6,206,387 B1 \* 3/2001 Tsai ..... 280/87.041

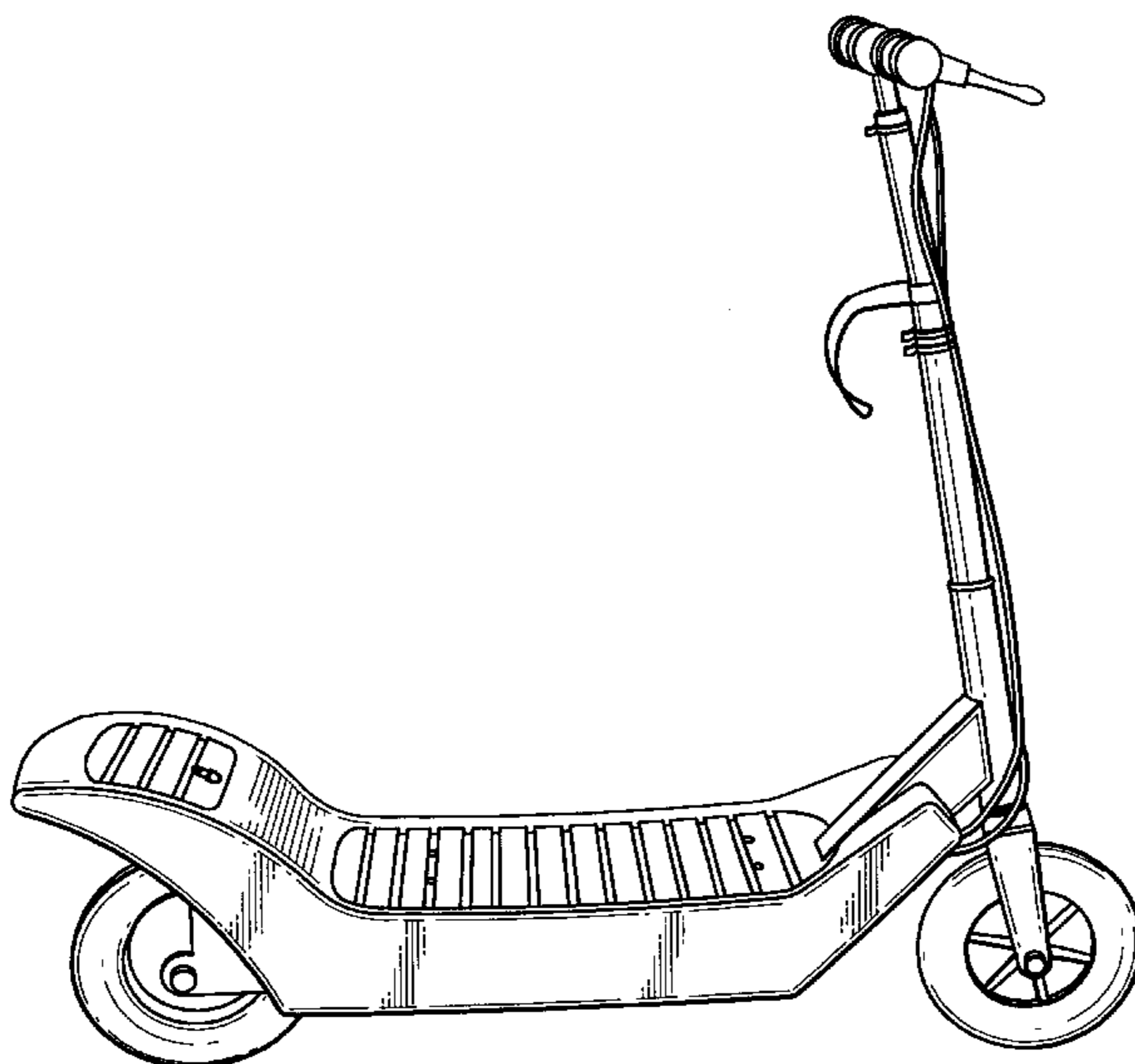
- (56) **References Cited**
- U.S. PATENT DOCUMENTS**
- 1,075,250 A 10/1913 Gingold
- 1,227,888 A 5/1917 Converse
- 1,614,822 A 1/1927 Bukolt
- 1,664,858 A 4/1928 Headley
- 1,689,916 A 10/1928 Fisher
- 1,832,018 A 11/1931 Gossard
- 2,170,978 A 8/1939 Smith
- D124,783 S 1/1941 Salsbury
- 2,330,147 A 9/1943 Rodriquez
- 2,468,910 A 5/1949 Zsinor et al.
- 2,861,814 A 11/1958 Rebhun
- D203,387 S 1/1966 Watson
- 3,648,795 A 3/1972 Moulton
- 4,061,351 A 12/1977 Bangle
- 4,088,338 A 5/1978 Winchell et al.
- 4,186,934 A 2/1980 Collings
- 4,707,884 A 11/1987 Chang
- 4,732,400 A 3/1988 Santini
- 4,775,162 A 10/1988 Chao
- 4,821,832 A 4/1989 Patmont
- 4,842,091 A \* 6/1989 Badsey ..... 180/219

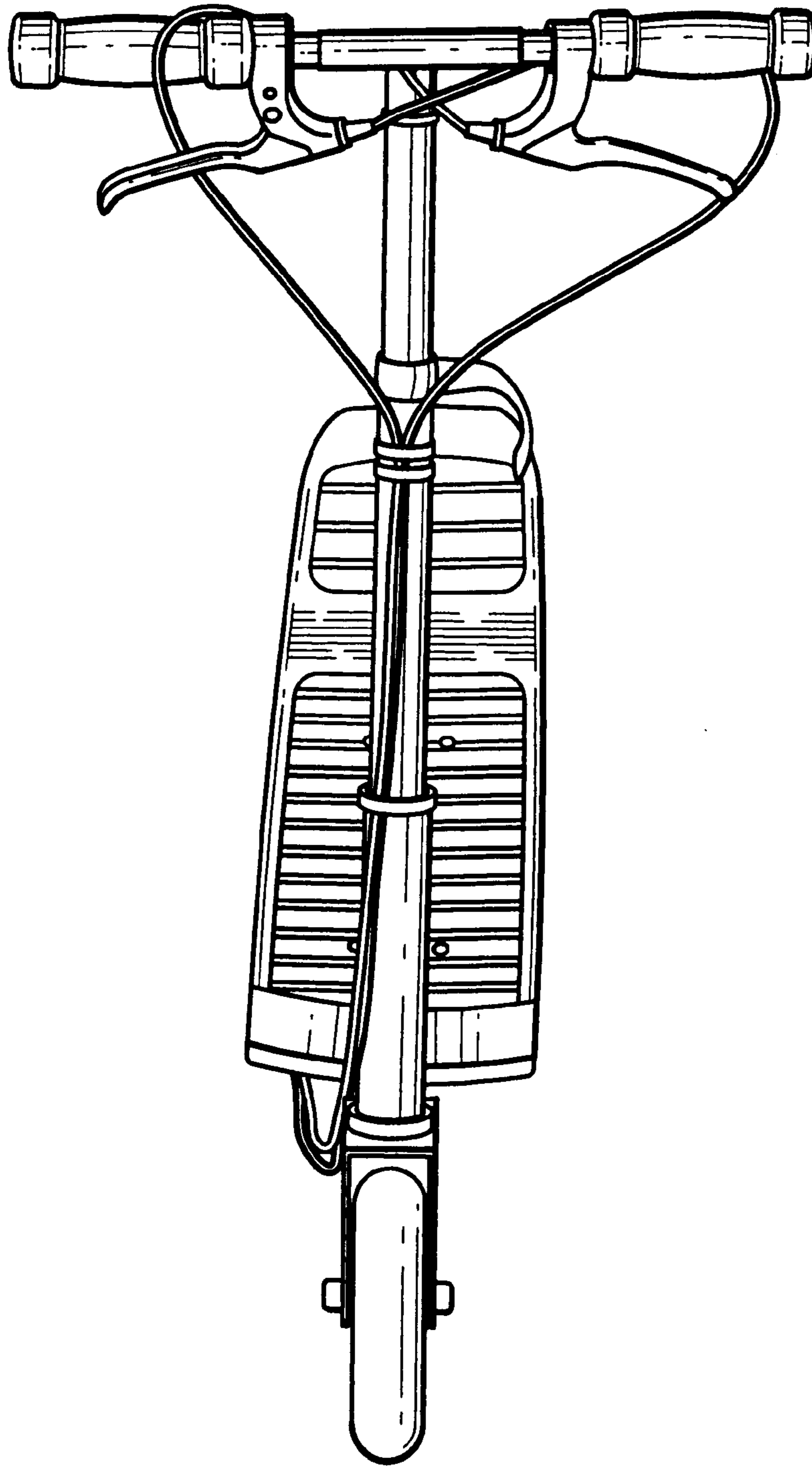
\* cited by examiner  
*Primary Examiner*—Raphael Barkai  
 (74) *Attorney, Agent, or Firm*—Cooper & Dunham LLP

(57) **CLAIM**  
 The ornamental design for a motorized scooter, as shown and described.

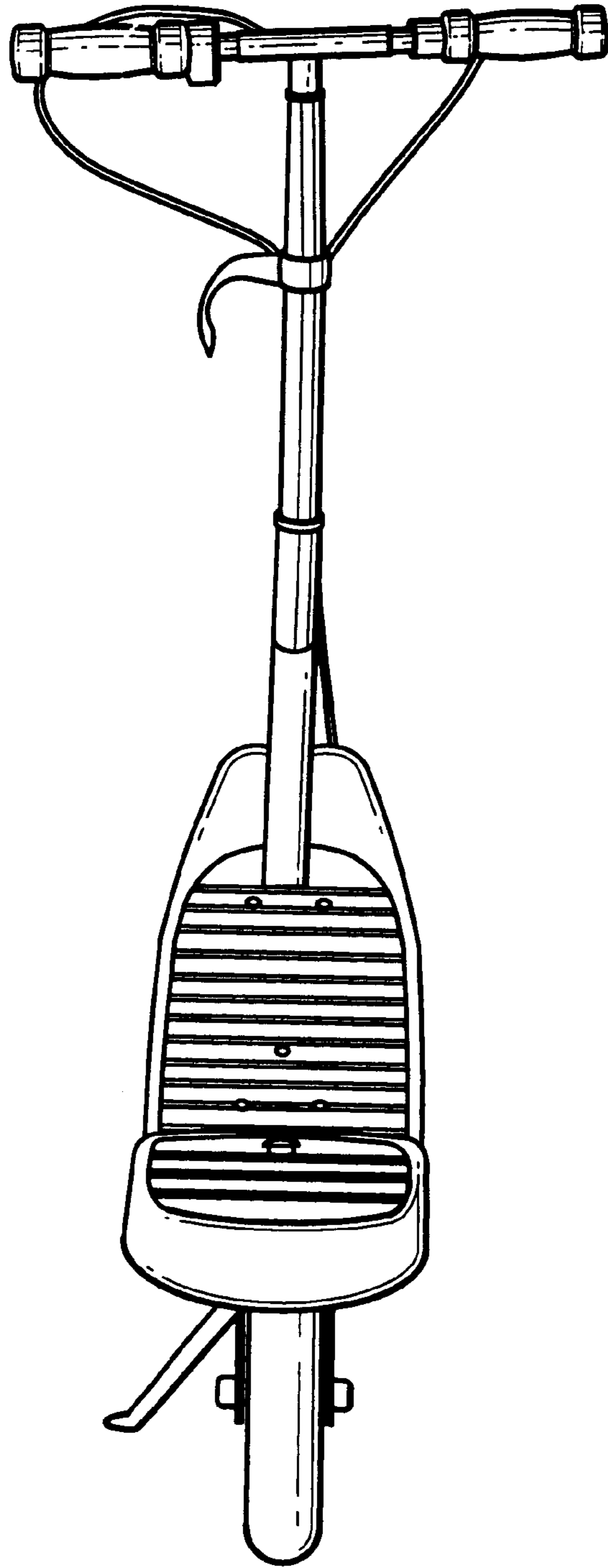
**DESCRIPTION**  
 FIG. 1 is a front view of a motorized scooter showing our new design;  
 FIG. 2 is a rear view thereof;  
 FIG. 3 is a top view thereof;  
 FIG. 4 is a bottom view thereof;  
 FIG. 5 is a left hand side view thereof; and,  
 FIG. 6 is a right hand side view thereof.

**1 Claim, 6 Drawing Sheets**

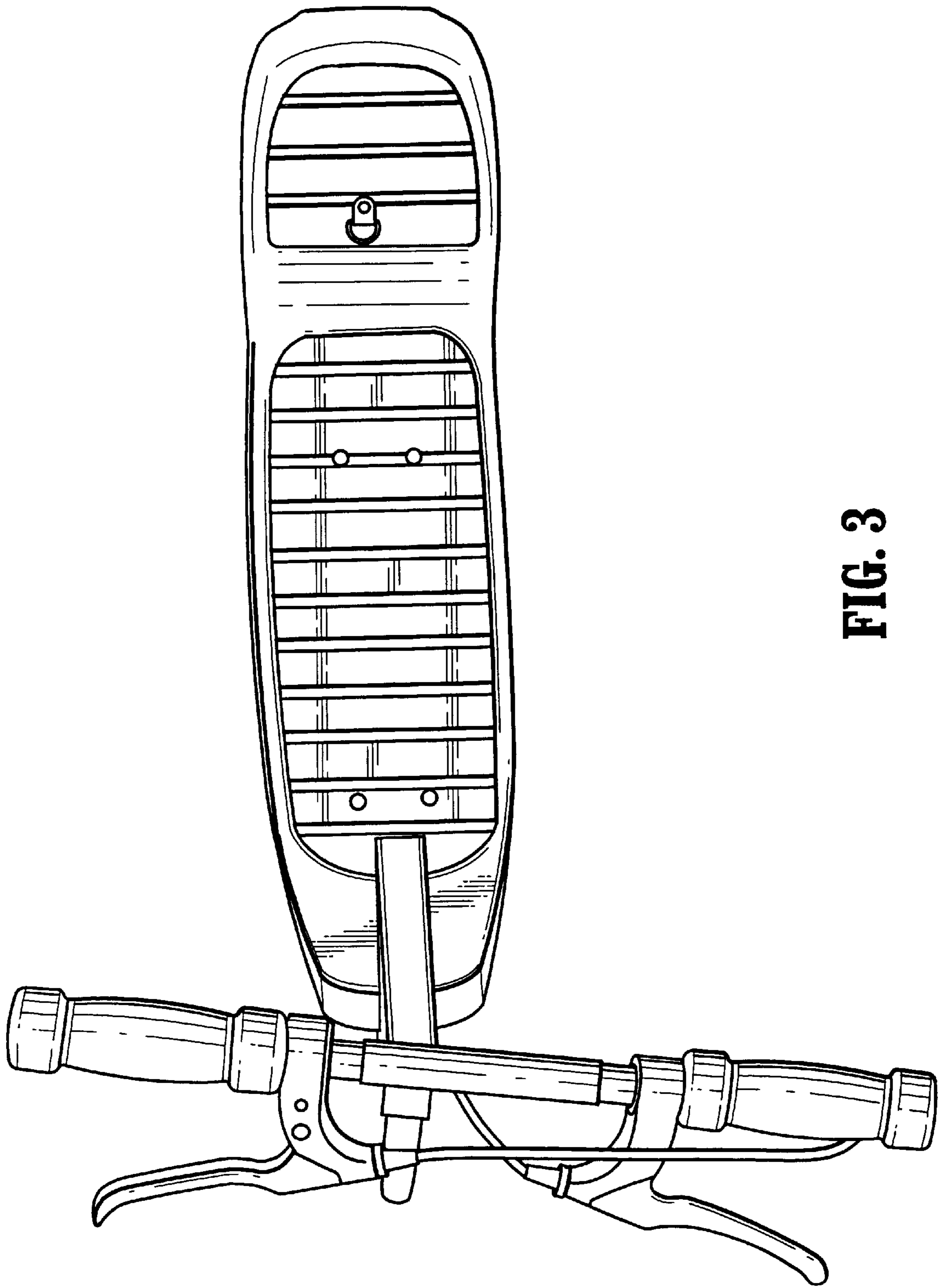




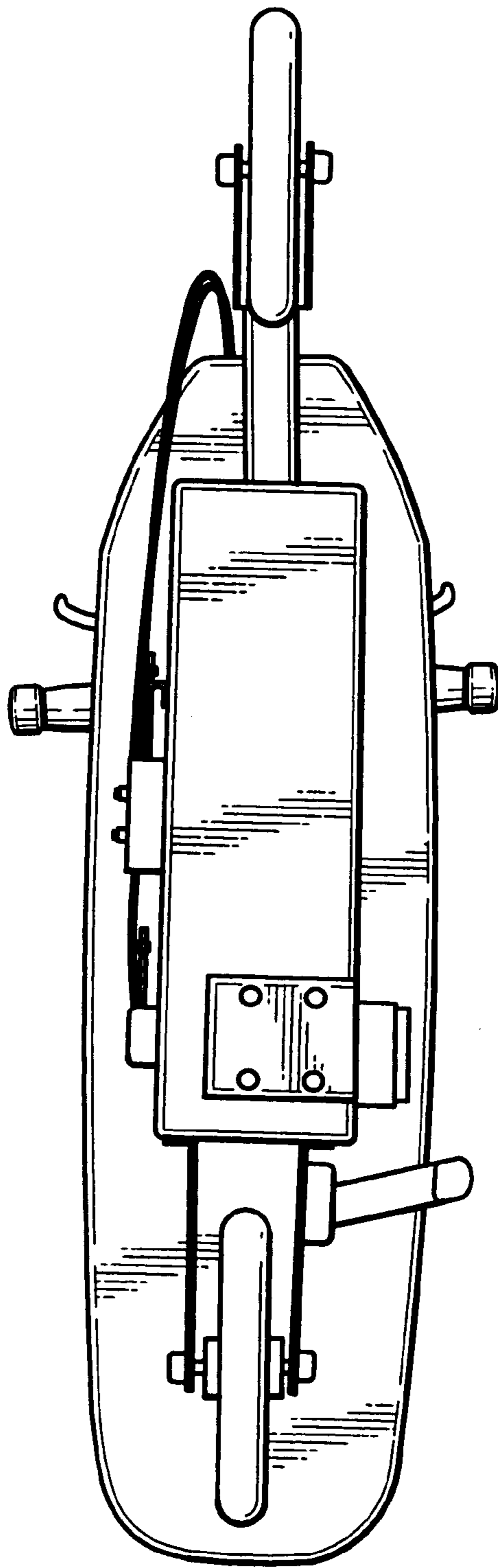
**FIG. 1**



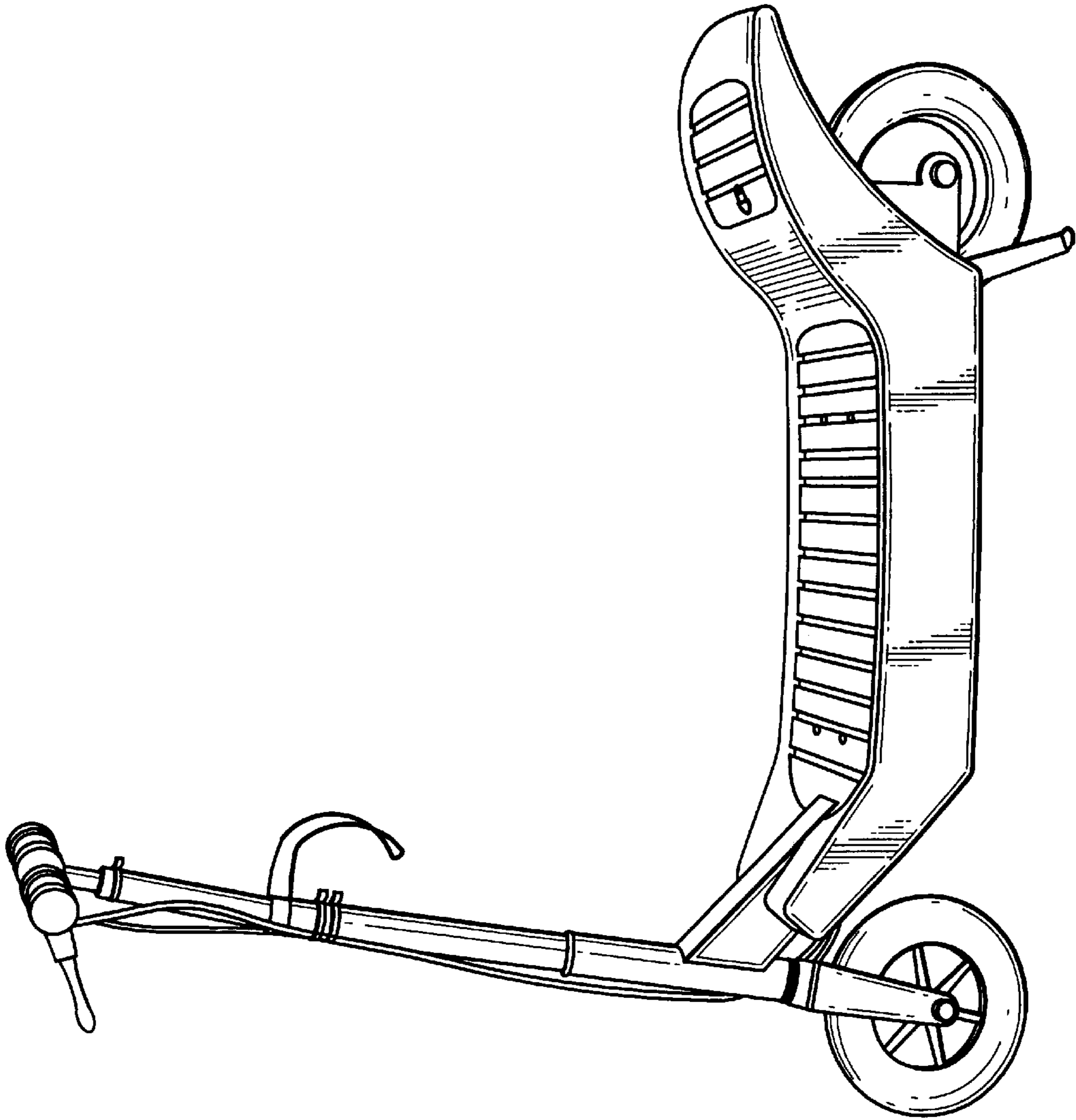
**FIG. 2**



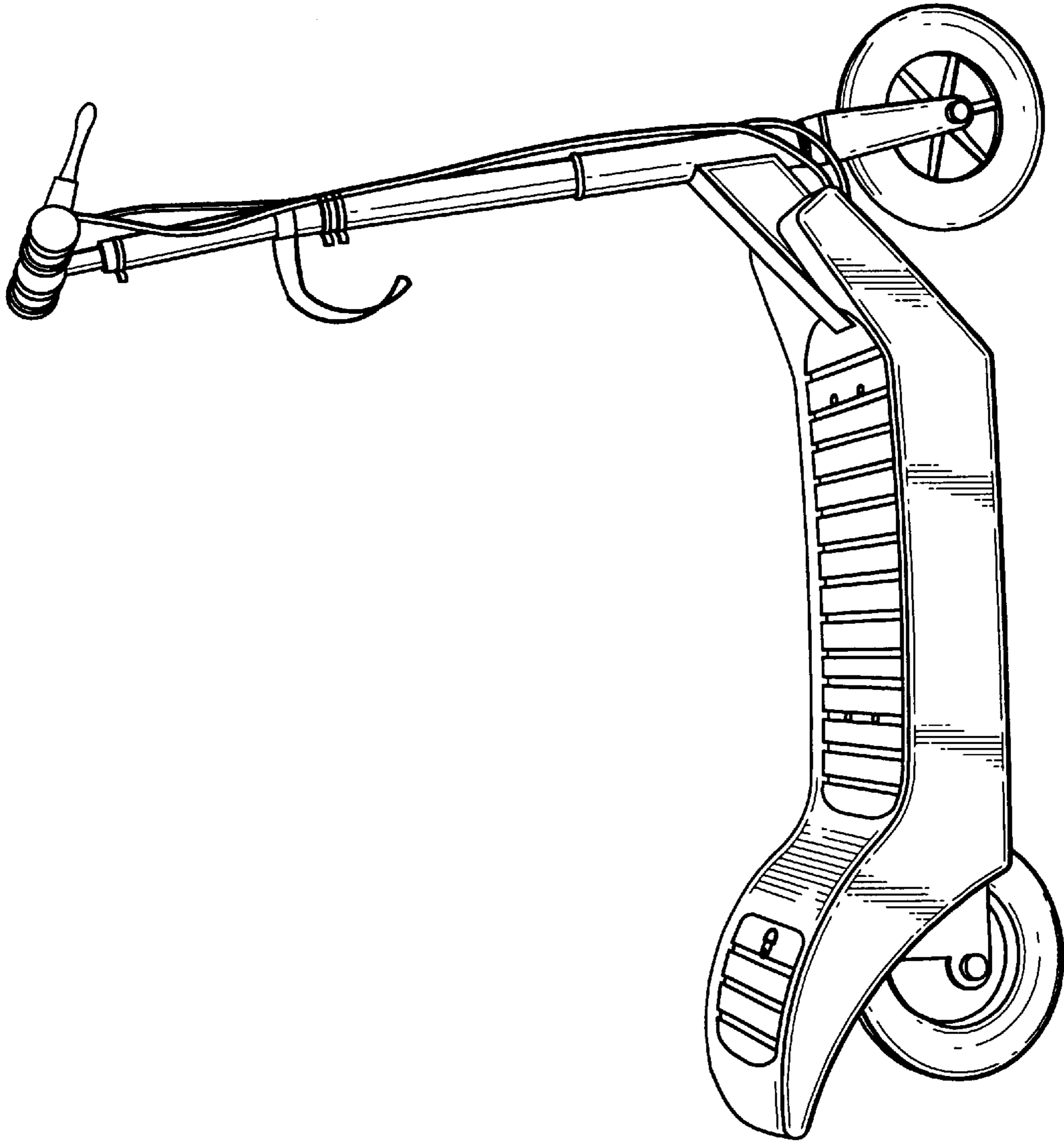
**FIG. 3**



**FIG. 4**



**FIG. 5**



**FIG. 6**