



US00D453798S

(12) **United States Design Patent**
Gray

(10) **Patent No.:** **US D453,798 S**

(45) **Date of Patent:** **** Feb. 19, 2002**

(54) **SQUARE SHELF SIGN HOLDER**

73, 77-81, 87-89, 91, 93-94, 100-104, 106, 124, 163-165, 177-179 (Circa Mar. 2000).

(75) Inventor: **Robert Gray**, Brookpark, OH (US)

* cited by examiner

(73) Assignee: **Fasteners For Retail, Inc.**, Cleveland, OH (US)

Primary Examiner—Marcus A. Jackson

(**) Term: **14 Years**

(74) *Attorney, Agent, or Firm*—Fay, Sharpe, Fagan, Minnich & McKee, LLP

(21) Appl. No.: **29/138,955**

(57) **CLAIM**

(22) Filed: **Mar. 22, 2001**

The ornamental design for a square shelf sign holder, as shown and described.

(51) **LOC (7) Cl.** **20-02**

(52) **U.S. Cl.** **D20/43**

(58) **Field of Search** D20/10, 40, 42, D20/43, 44; 40/642.01, 642.02, 646, 661, 666

DESCRIPTION

(56) **References Cited**

U.S. PATENT DOCUMENTS

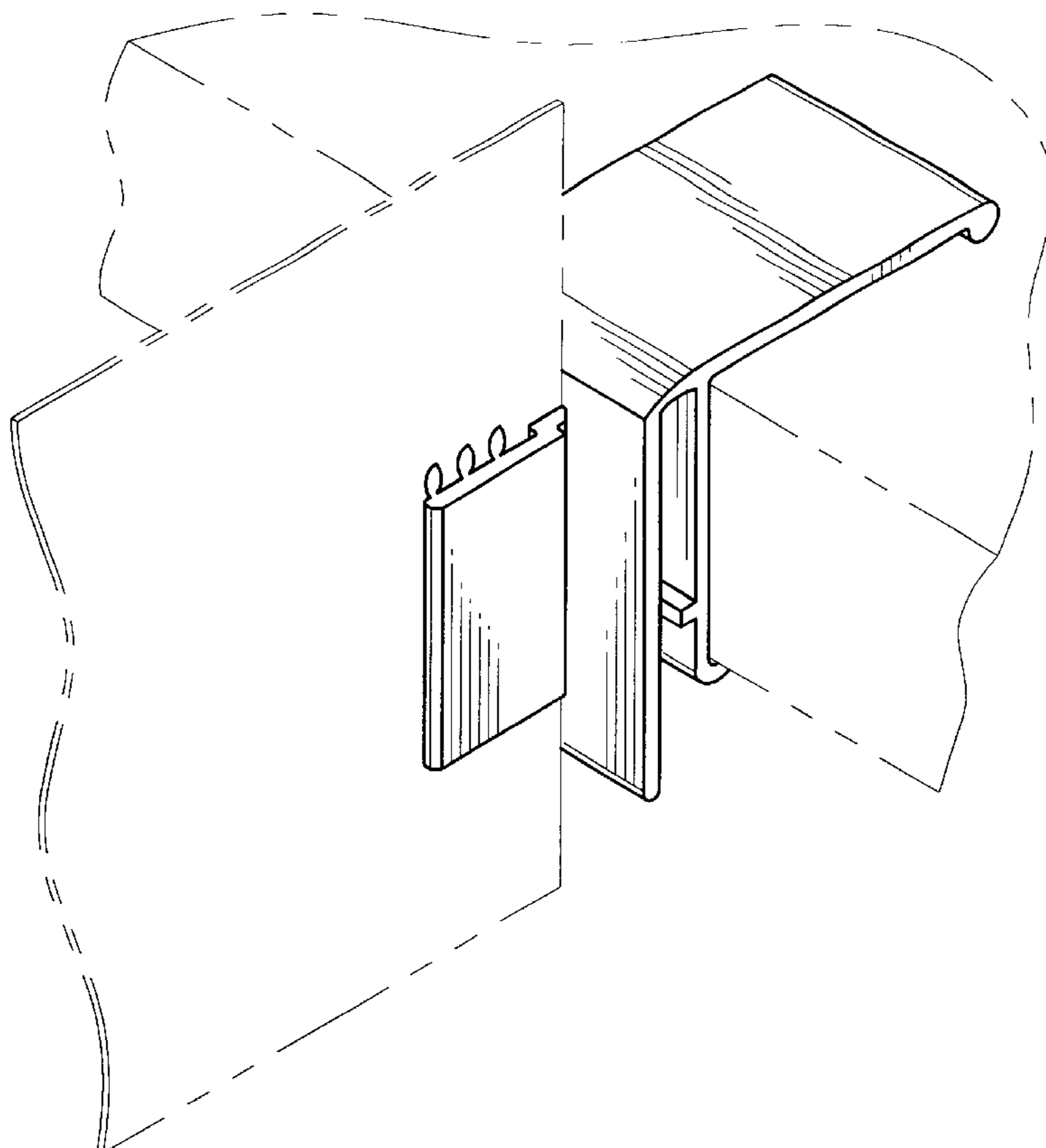
- D206,783 S * 1/1967 McCormick D20/43
- 4,557,064 A 12/1985 Thompson
- D306,878 S * 3/1990 Crowley D20/43
- D425,134 S * 5/2000 Kump D20/43

OTHER PUBLICATIONS

Fasteners For Retail Brochure entitled "FFR Yellow Pages—The World's Largest Resource For Display Accessories and Custom Solutions", Cover, pp. 17, 38-40, 59, 61,

FIG. 1 is a perspective view of a square shelf sign holder showing my new design with the sign holder being secured on a shelf and holding a sign;
 FIG. 2 is a perspective view of the sign holder by itself;
 FIG. 3 is a top plan view thereof;
 FIG. 4 is a right side elevational view thereof, with a left side elevational view being a mirror image thereof;
 FIG. 5 is a bottom plan view thereof;
 FIG. 6 is a front elevational view thereof; and,
 FIG. 7 is a rear elevational view thereof.
 The parts shown in broken lines in FIG. 1 are shown for illustrative purposes only and form no part of the claimed design.

1 Claim, 2 Drawing Sheets



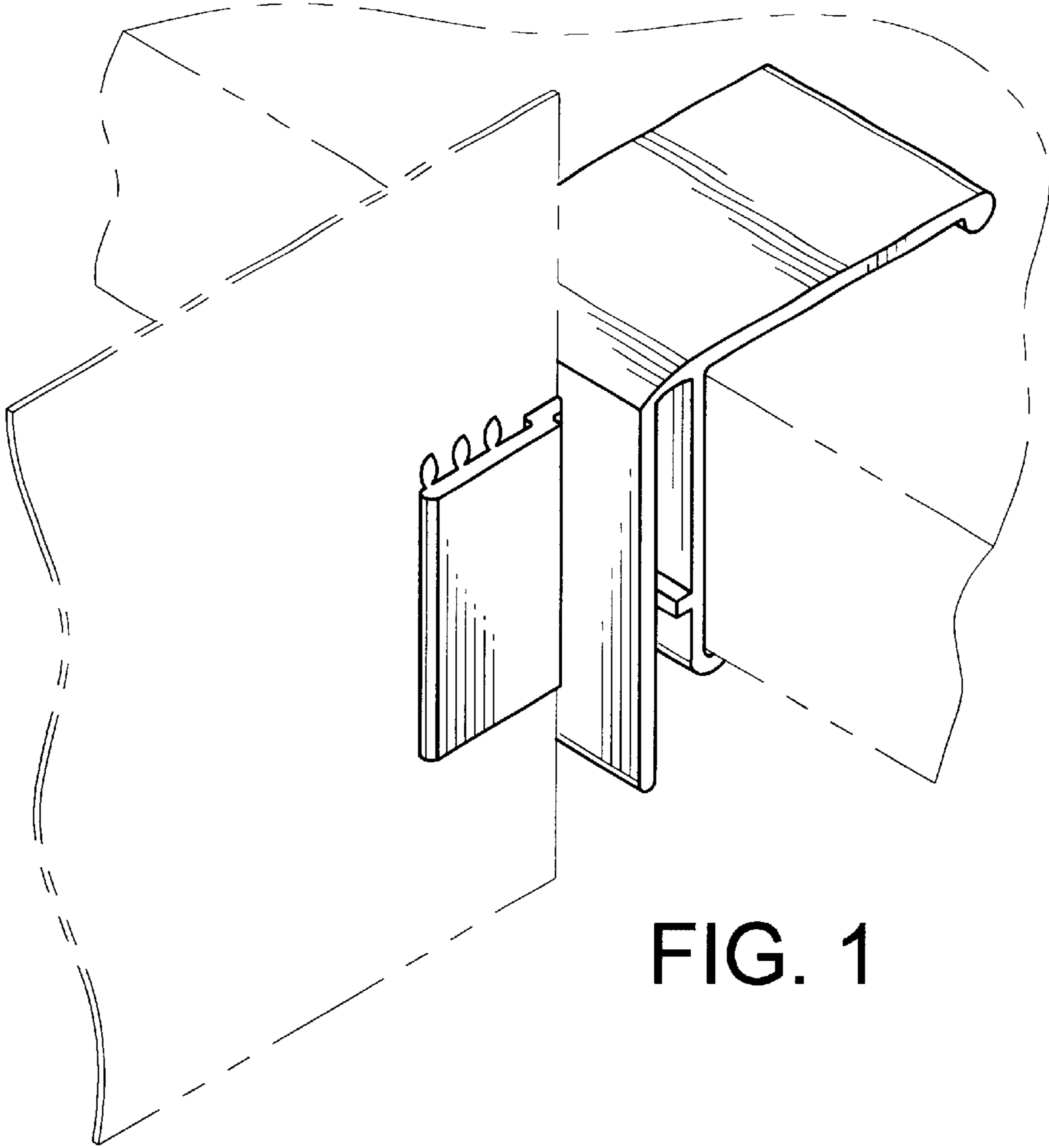


FIG. 1

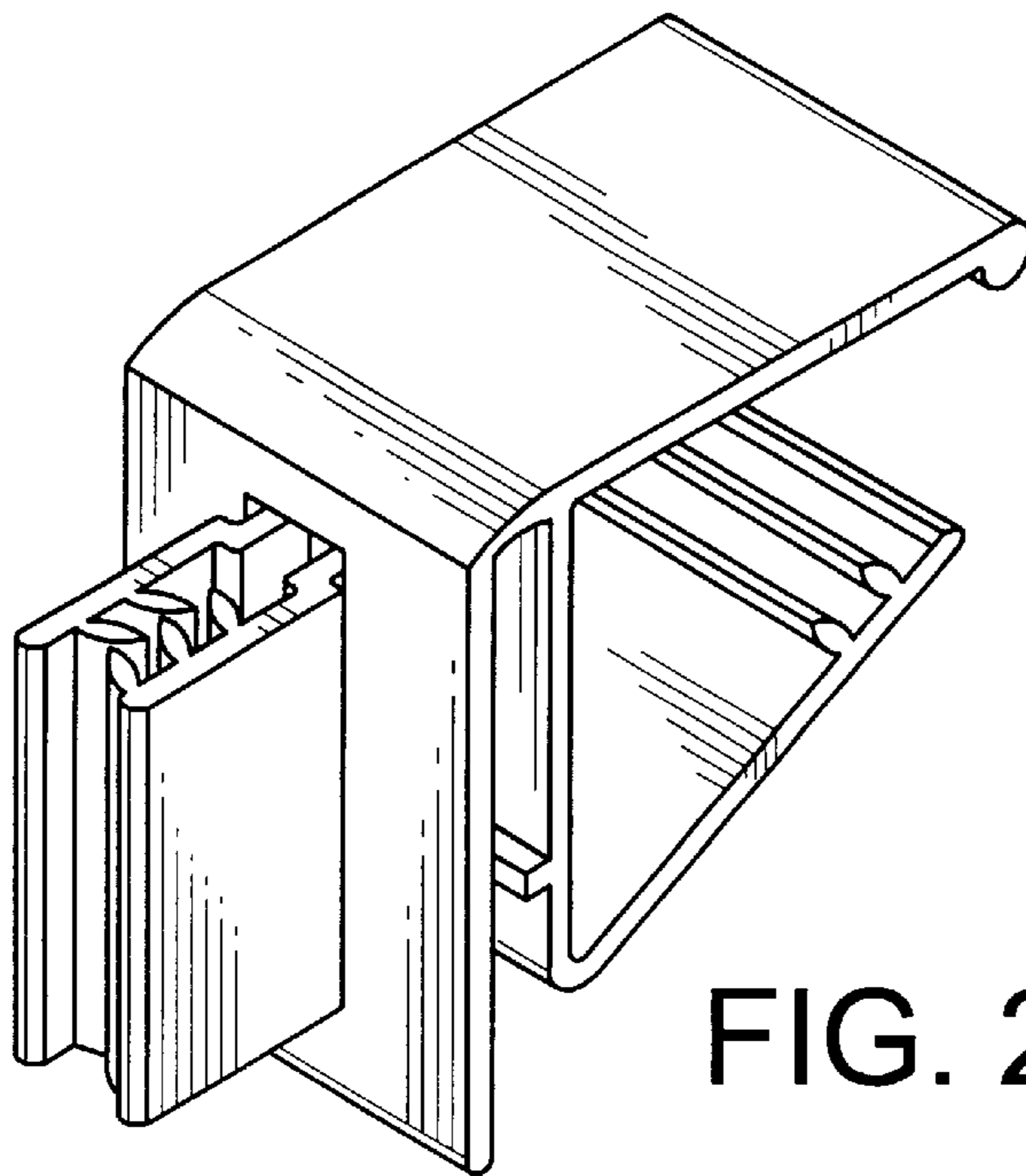


FIG. 2

FIG. 3

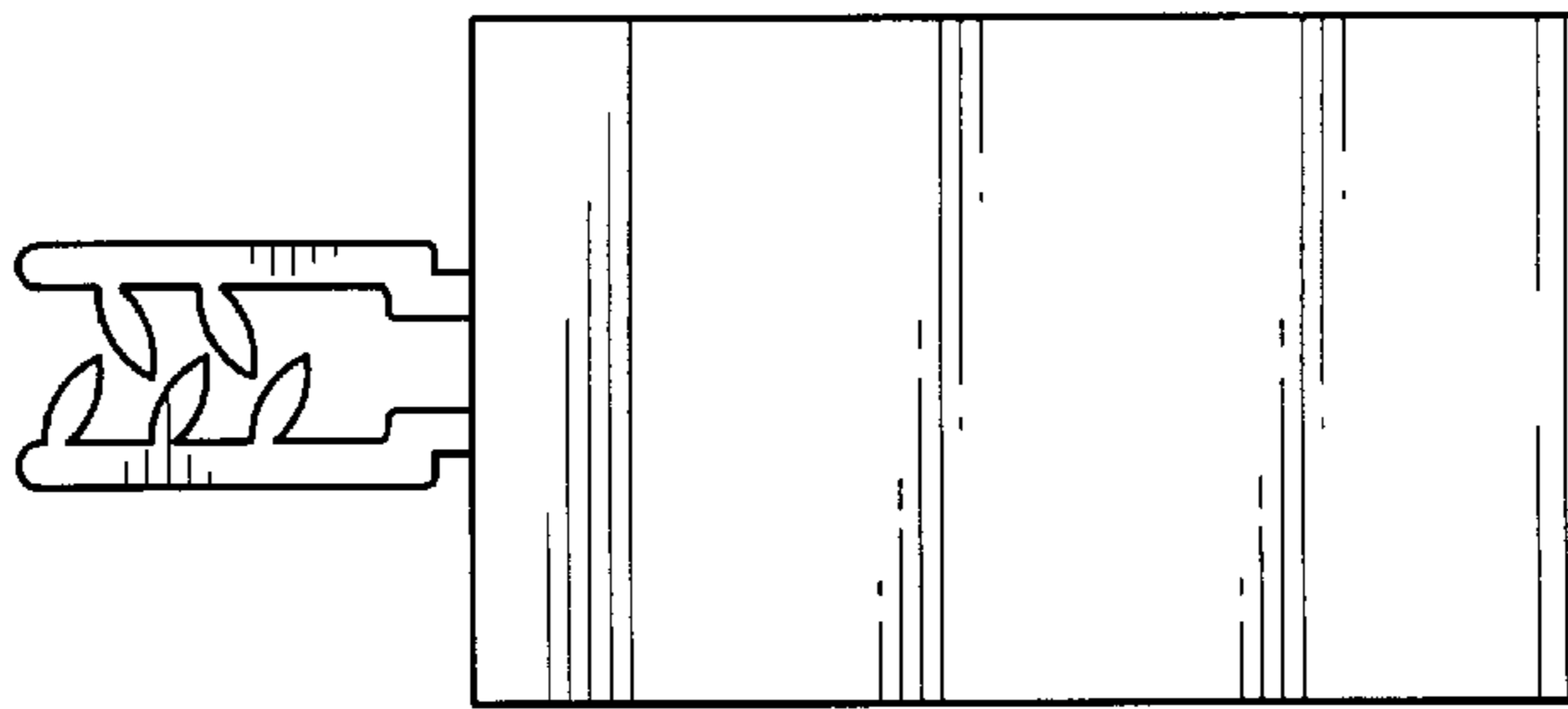


FIG. 4

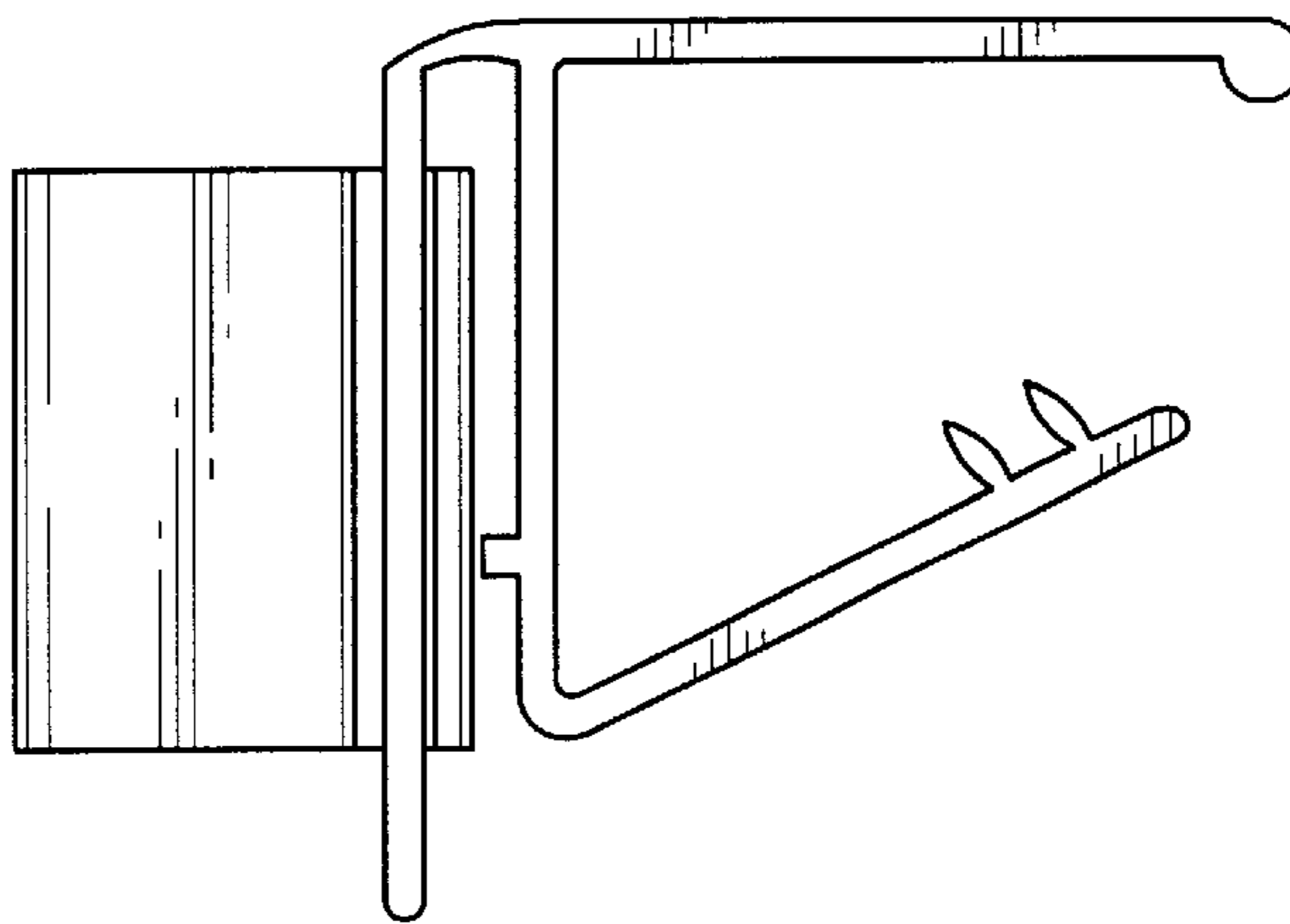


FIG. 5

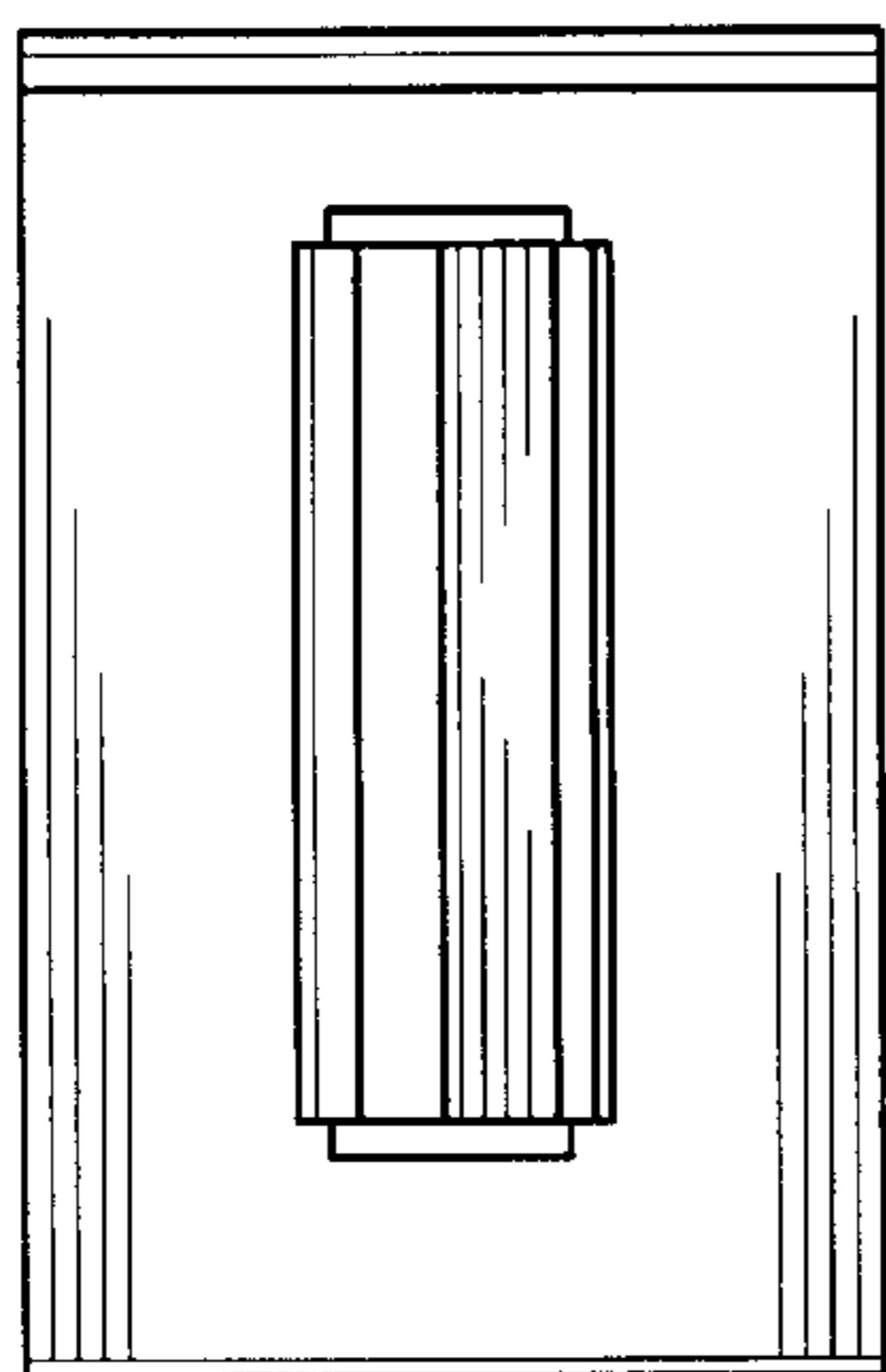


FIG. 6

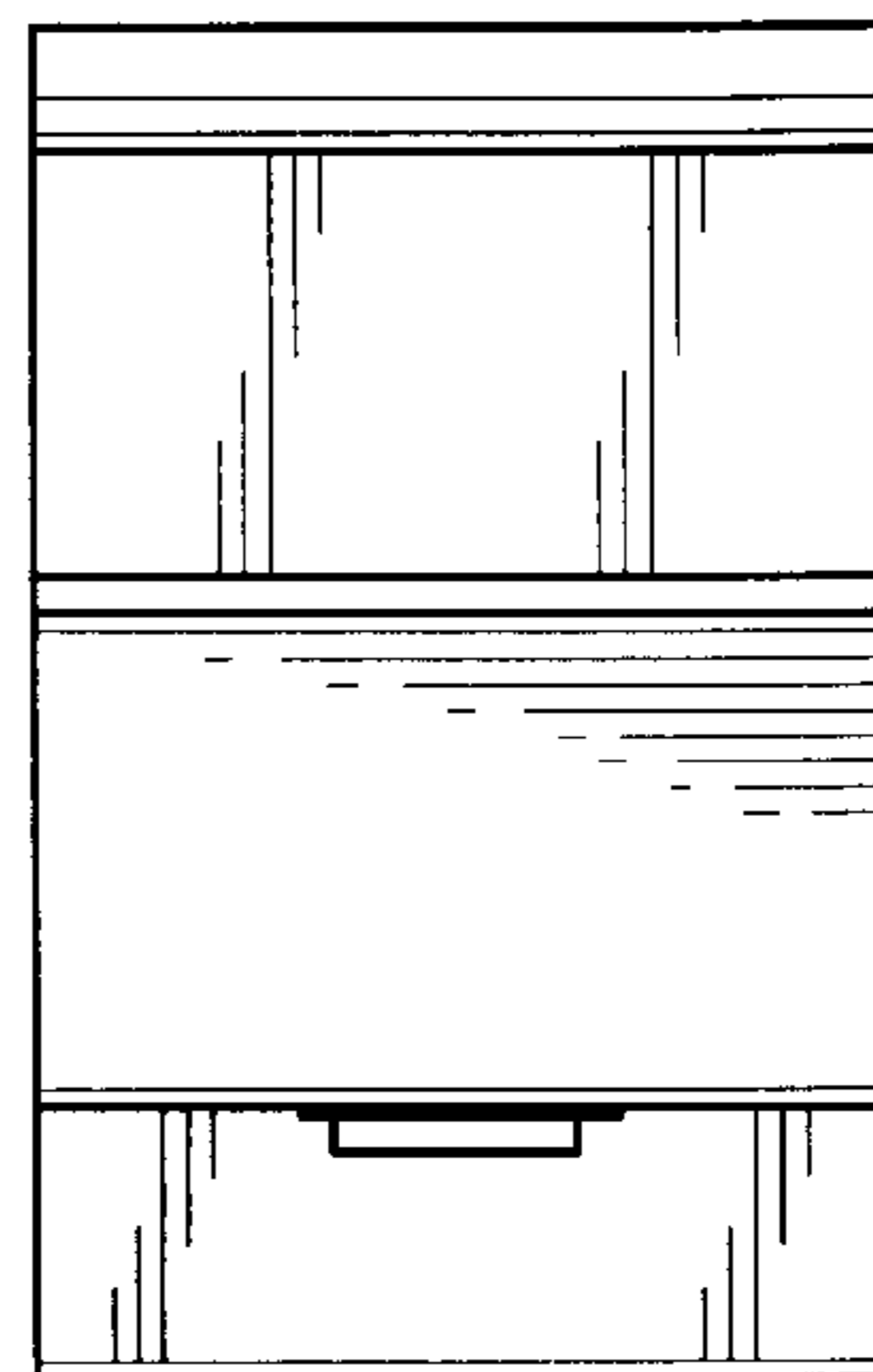


FIG. 7