



US00D453794S

(12) **United States Design Patent**
Saylor et al.

(10) **Patent No.:** **US D453,794 S**

(45) **Date of Patent:** **** Feb. 19, 2002**

(54) **SUPPORT RAIL ASSEMBLY FOR OFFICE ACCESSORIES**

4,899,971 A 2/1990 Elkin
4,938,442 A 7/1990 Mastrodicasa
4,948,205 A 8/1990 Kelley

(75) Inventors: **Charles Saylor**, Grand Rapids, MI (US); **Sheldon Phillips**, Thousand Oaks; **Edward Mitchell**, Los Angeles, both of CA (US)

(List continued on next page.)

FOREIGN PATENT DOCUMENTS

(73) Assignee: **Haworth, Inc.**, Holland, MI (US)

CH 680414 8/1992
DE 86 29 967 2/1987

(**) Term: **14 Years**

OTHER PUBLICATIONS

(21) Appl. No.: **29/139,779**

(22) Filed: **Apr. 5, 2001**

Related copending application U.S. Application No. 09/304 162; filed Apr. 30, 1999; Inventors: Charles Saylor, Robert Wayner, David Byrne, Kevin L. Brinks, Ricky D. Roels, Cheryl C. Compton, Sheldon Phillips and Edward Mitchell; specification, claims and drawings.

Specification, claims and drawings from U.S. Application No. 09/304 162, filed Apr. 30, 1999.

Primary Examiner—Martie K. Holtje

(74) *Attorney, Agent, or Firm*—Flynn, Thiel, Boutell & Tanis, P.C.

Related U.S. Application Data

(62) Division of application No. 29/104,255, filed on Apr. 30, 1999, now Pat. No. Des. 445,456.

(51) **LOC (7) Cl.** **19-02**

(52) **U.S. Cl.** **D19/75; D6/491**

(58) **Field of Search** D19/65, 75, 90, D19/95, 99, 100; D6/418, 469, 491, 553; 211/11, 45, 88.01, 94.01, 70.6; 108/44, 49, 50.01, 50.02, 143, 50.11; 248/188.1, 200, 225.1; 312/195

(57) **CLAIM**

The ornamental design of a support rail assembly for office accessories, as shown and described.

DESCRIPTION

FIG. 1 is a front perspective view of the support rail assembly for office accessories embodying our design, the rear edge portion of a worksurface being shown in dotted lines as environment and forming no part of the claimed design;

FIG. 2 is a top view thereof;

FIG. 3 is a bottom view thereof;

FIG. 4 is a left side view thereof; the right side view being a mirror image thereof;

FIG. 5 is a front view thereof;

FIG. 6 is a rear view thereof; and,

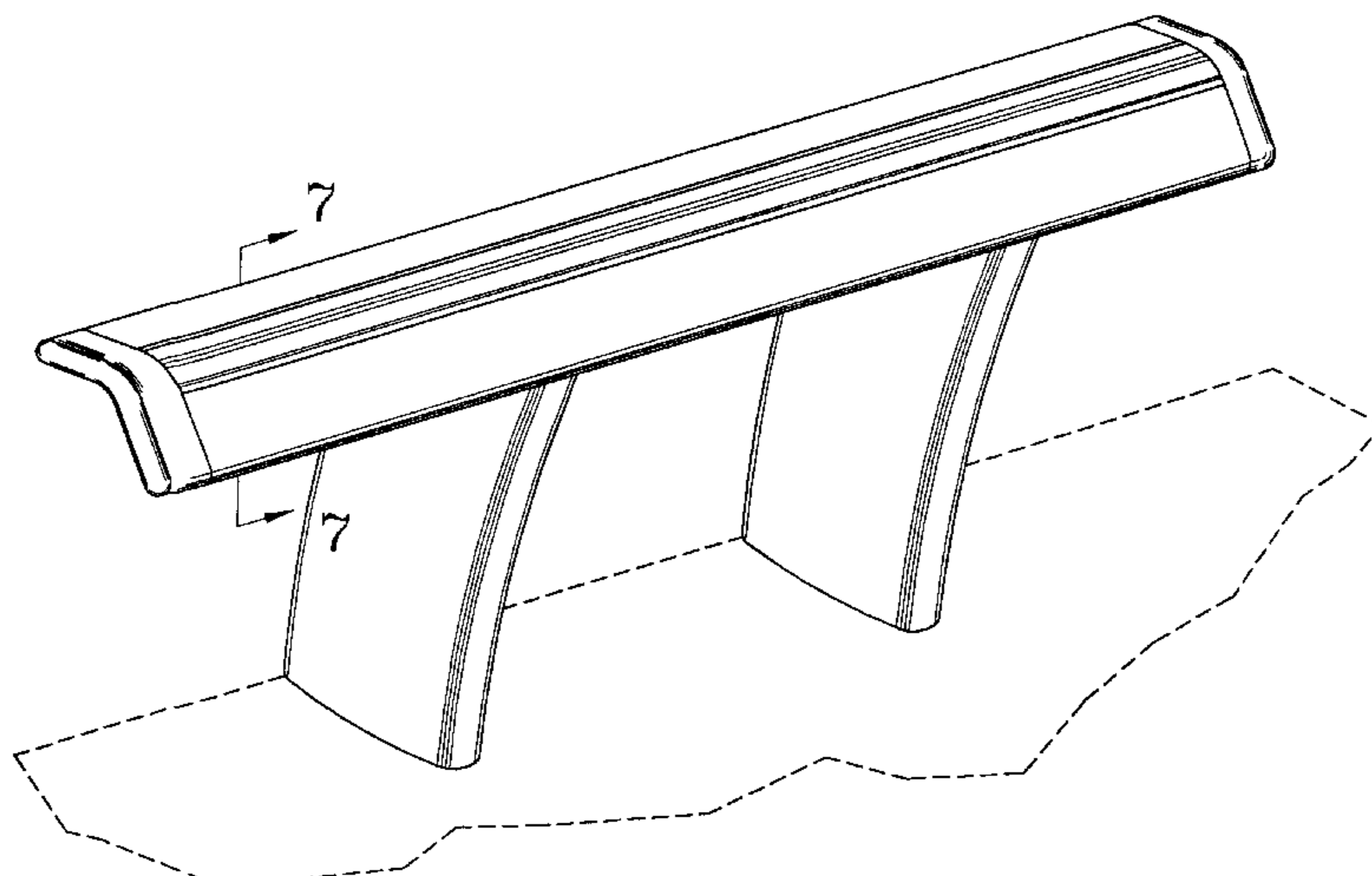
FIG. 7 is an enlarged cross-sectional view taken generally along line 7—7 in FIG. 1.

(56) **References Cited**

U.S. PATENT DOCUMENTS

401,553 A	4/1889	Godfrey
1,039,554 A	9/1912	Lindhorst
1,830,347 A	11/1931	Camden et al.
2,551,157 A	5/1951	Price
2,979,155 A	4/1961	Scharfenberger
D239,896 S	5/1976	Bortcher
4,126,230 A	11/1978	Tyson et al.
4,317,416 A	3/1982	Baum et al.
4,323,291 A	4/1982	Ball
4,709,891 A	12/1987	Barnett
4,852,500 A	8/1989	Ryburg et al.
4,869,378 A	9/1989	Miller
4,879,955 A	11/1989	Moll et al.
4,884,513 A	12/1989	Newhouse et al.

1 Claim, 6 Drawing Sheets



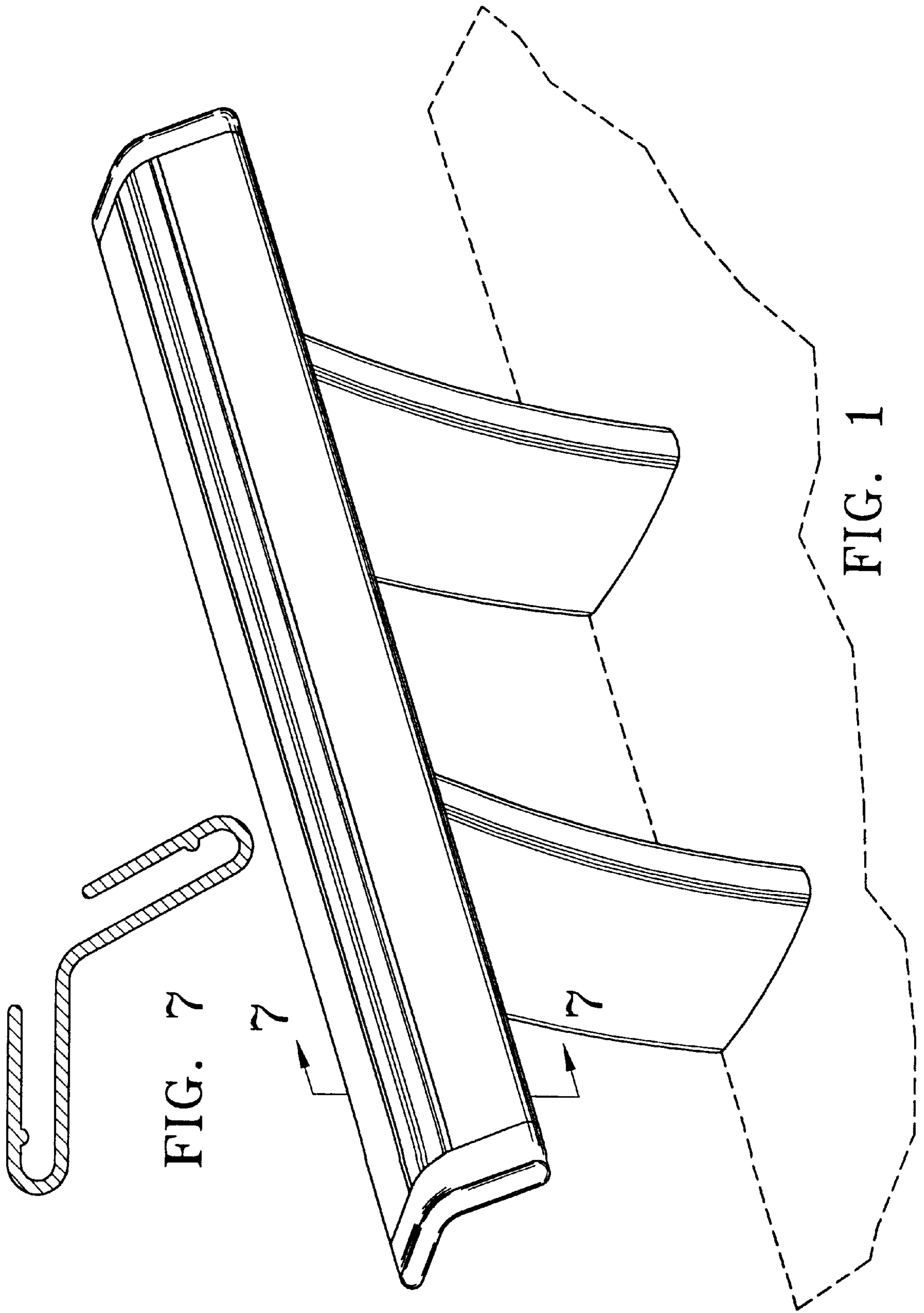
US D453,794 S

Page 2

U.S. PATENT DOCUMENTS

4,974,913 A	12/1990	Vogt et al.	5,486,042 A	1/1996	Heisler et al.
4,993,785 A	2/1991	Dunand	D372,390 S	8/1996	Lloyd-Morris et al.
5,048,698 A	9/1991	Konrad	5,687,856 A	11/1997	Kendrena
5,057,039 A	10/1991	Persing et al.	5,775,521 A	7/1998	Tisbo
5,103,741 A	4/1992	Grund et al.	5,873,311 A	2/1999	Schlattl
5,121,698 A	6/1992	Kelley	5,911,178 A	6/1999	Alexander
5,154,126 A	10/1992	Newhouse et al.	5,937,766 A	8/1999	Denny
D333,489 S	2/1993	Stern et al.	D423,828 S	5/2000	Wilkinson
5,186,425 A	2/1993	Keusch et al.	D445,456 S *	7/2001	Saylor et al. D19/75
5,392,934 A	2/1995	Fox	6,267,338 B1 *	7/2001	Saylor et al. 248/200
5,429,252 A	7/1995	Liu			

* cited by examiner



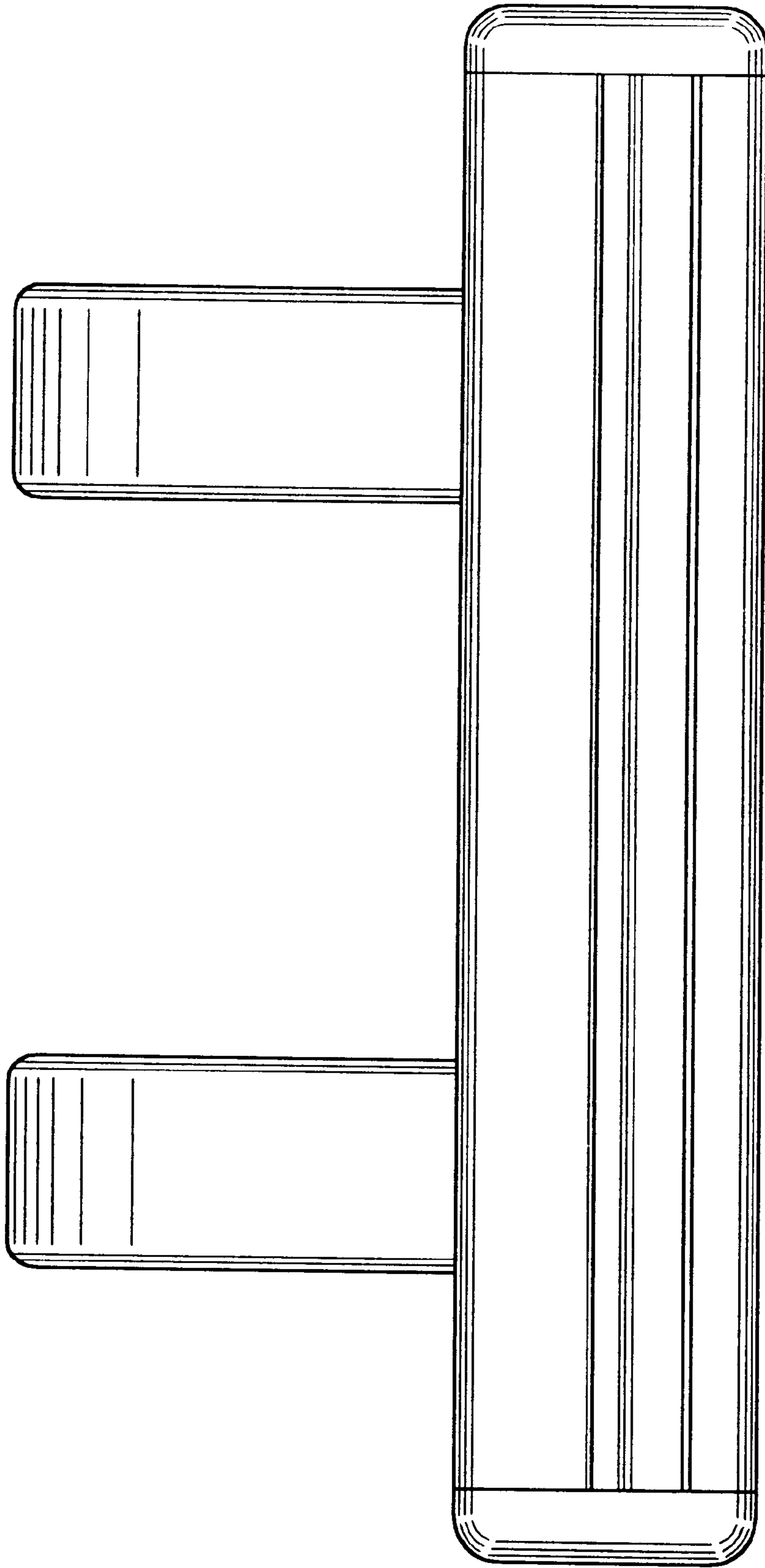


FIG. 2

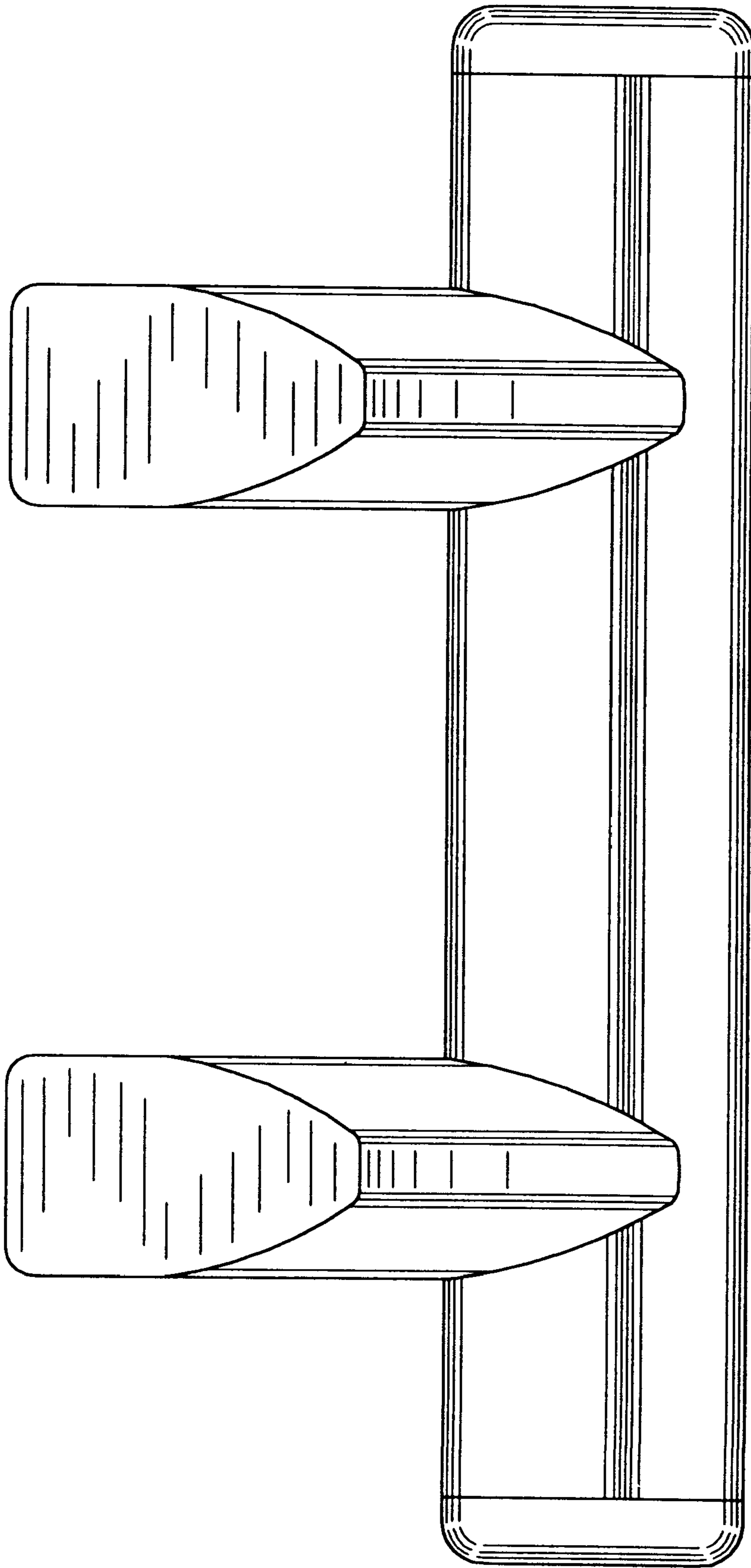


FIG. 3

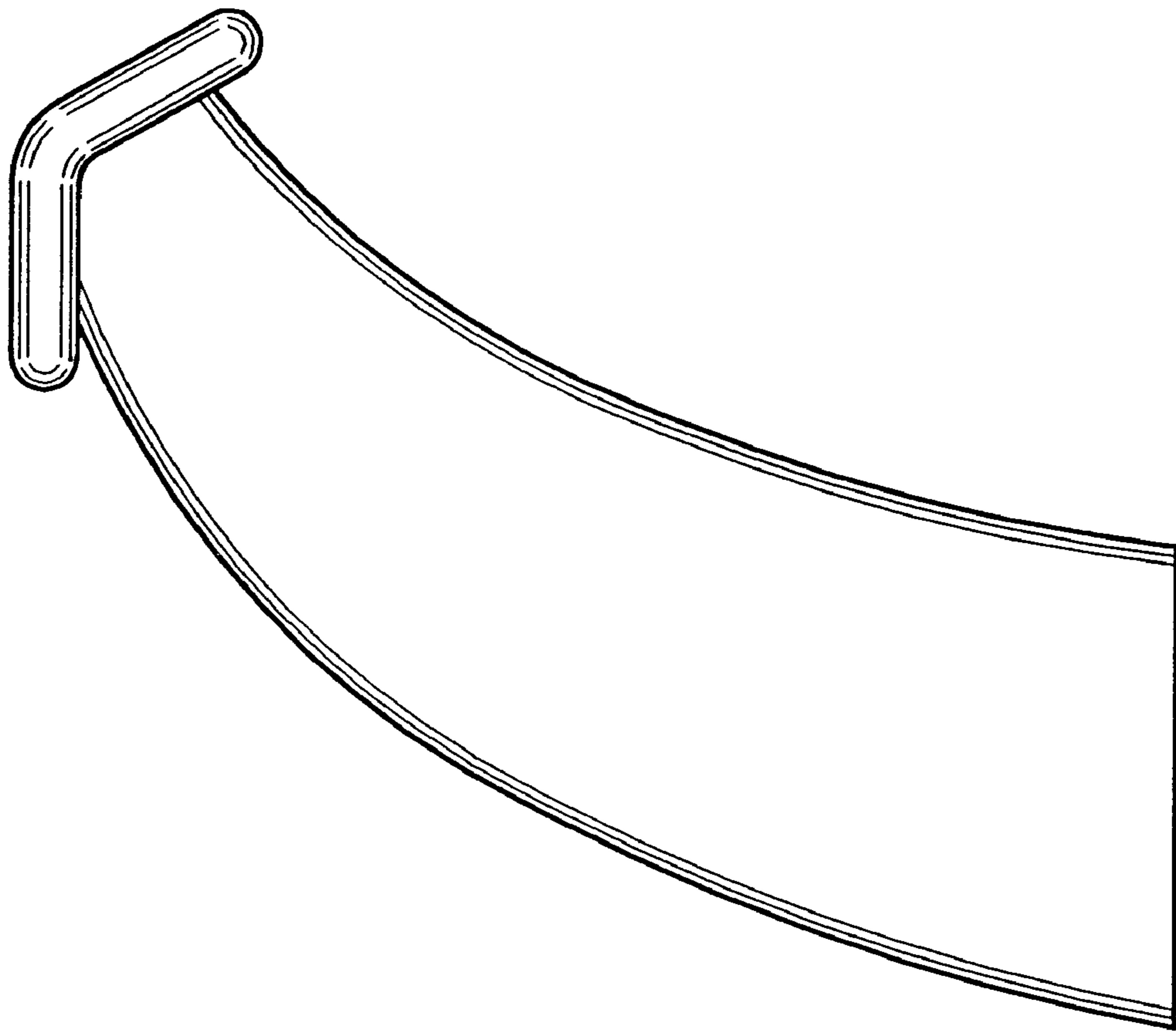


FIG. 4

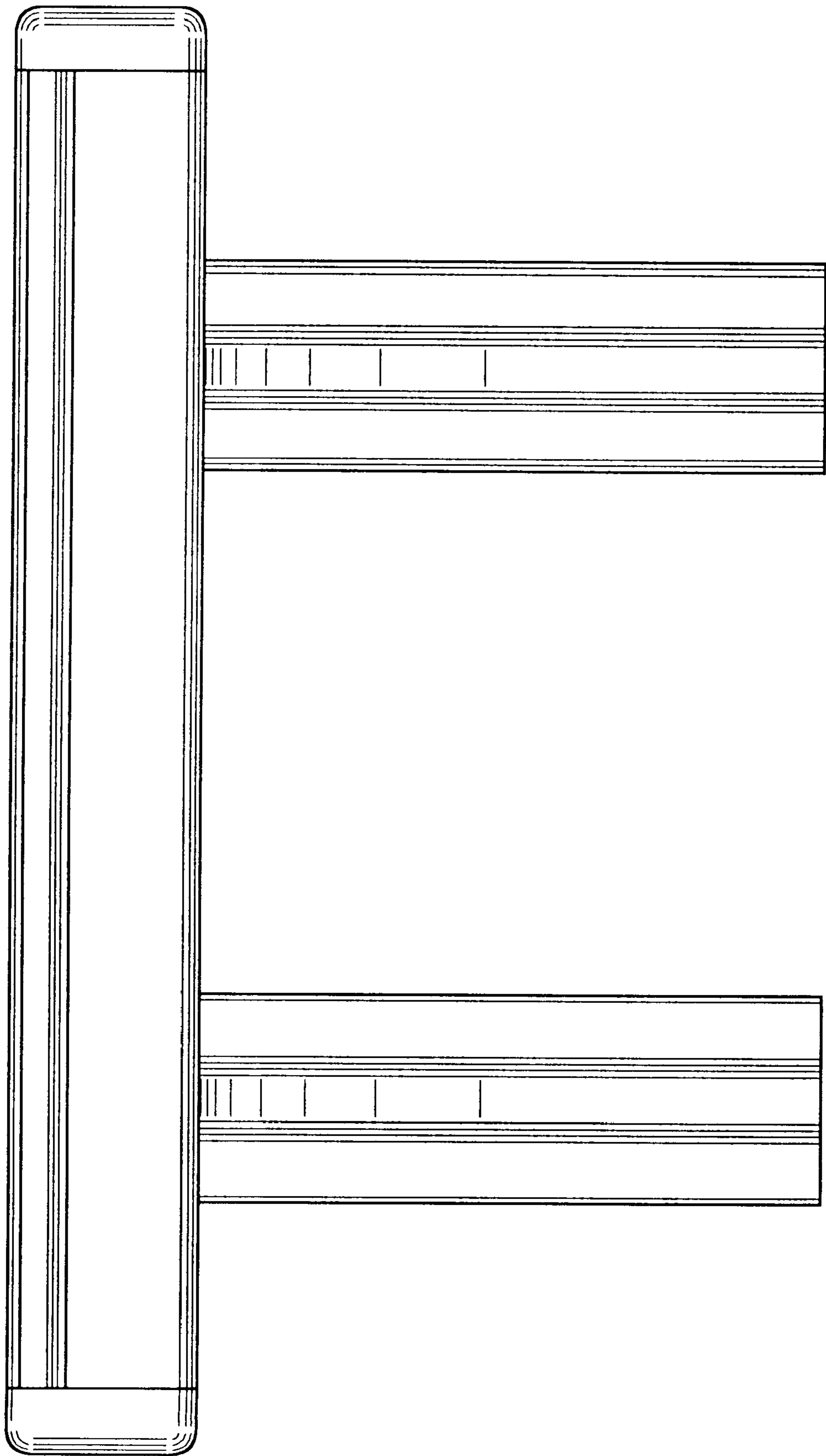


FIG. 5

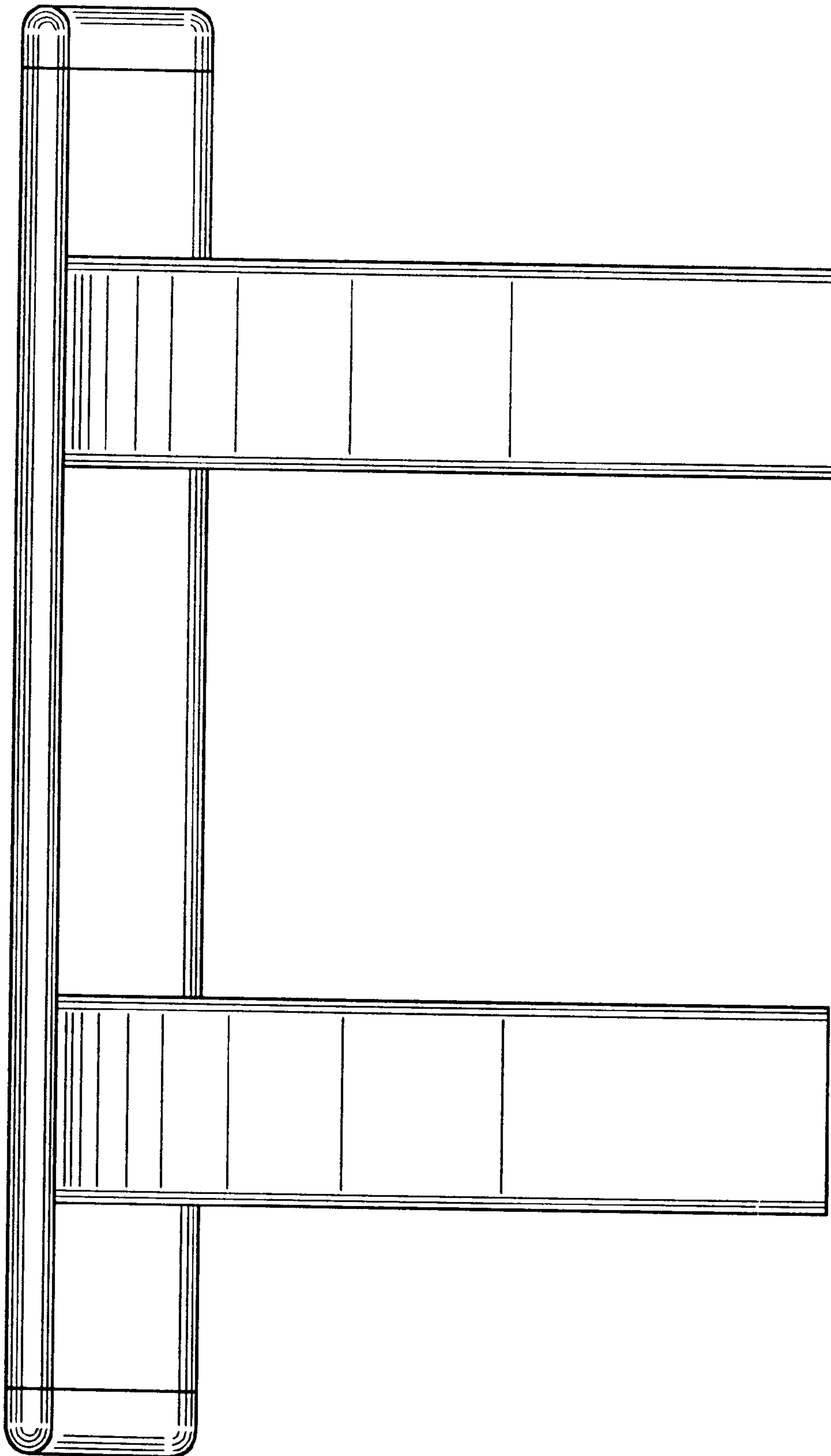


FIG. 6