



US00D453793S

(12) **United States Design Patent**  
**Hou**

(10) **Patent No.:** **US D453,793 S**

(45) **Date of Patent:** **\*\* Feb. 19, 2002**

(54) **SYNCHRONOUS LEARNING DEVICE**

D433,017 S \* 10/2000 Martinez ..... D14/346

(75) Inventor: **Andrew Hou**, Taipei (TW)

\* cited by examiner

(73) Assignee: **BCOM Electronics Inc.**, Taipei (TW)

*Primary Examiner*—Adir Aronovich

(\*\*) Term: **14 Years**

(74) *Attorney, Agent, or Firm*—Rosenberg, Klein & Lee

(21) Appl. No.: **29/133,629**

(57) **CLAIM**

(22) Filed: **Dec. 5, 2000**

The ornamental design for a synchronous learning device, as shown and described.

(51) **LOC (7) Cl.** ..... **19-07**

**DESCRIPTION**

(52) **U.S. Cl.** ..... **D19/60; D14/346**

FIG. 1 is the perspective view of a synchronous learning device showing my new design;

(58) **Field of Search** ..... D14/334, 341,  
D14/346; D17/99; D19/59, 60, 62; 235/462.45,  
472.01; 434/157, 201, 169, 307 R, 323,  
335

FIG. 2 is the front view thereof;

FIG. 3 is the rear view thereof;

FIG. 4 is the left side view thereof;

FIG. 5 is the right side view thereof;

FIG. 6 is the top view thereof;

FIG. 7 is the bottom view thereof; and,

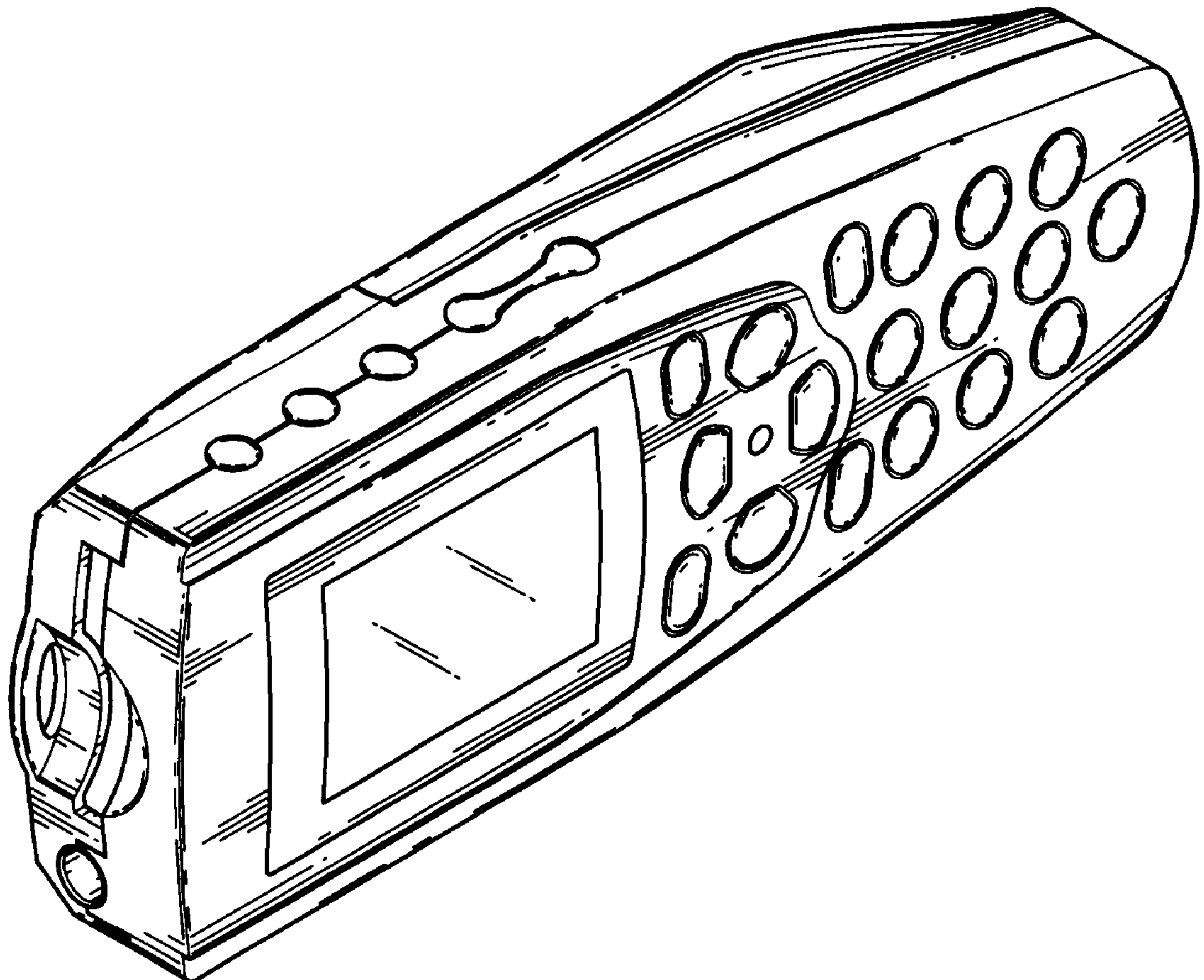
FIG. 8 is a perspective view thereof showing the synchronous learning device in use, the broken lines are shown to illustrate environment only and form no part of the claimed design.

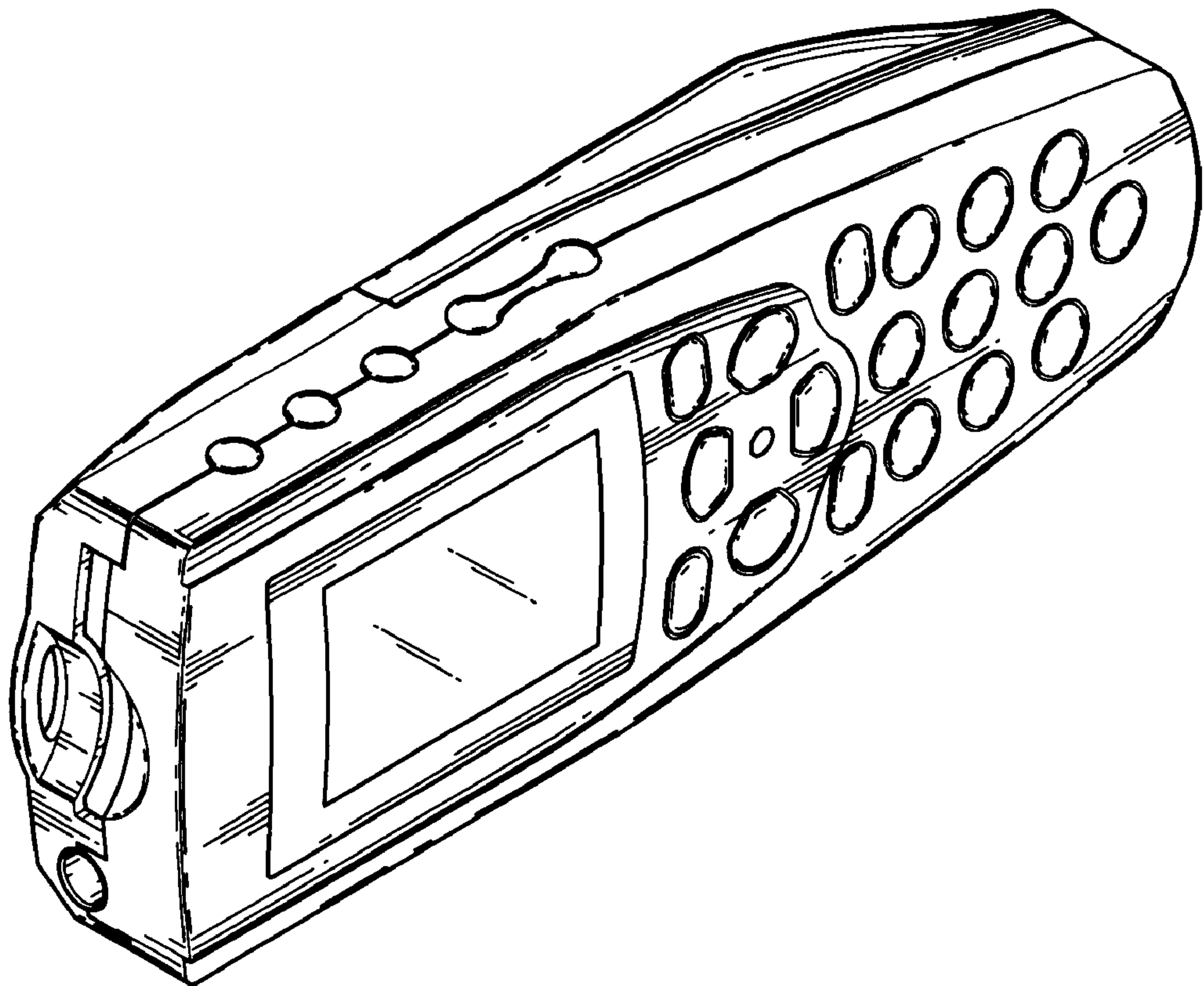
(56) **References Cited**

**U.S. PATENT DOCUMENTS**

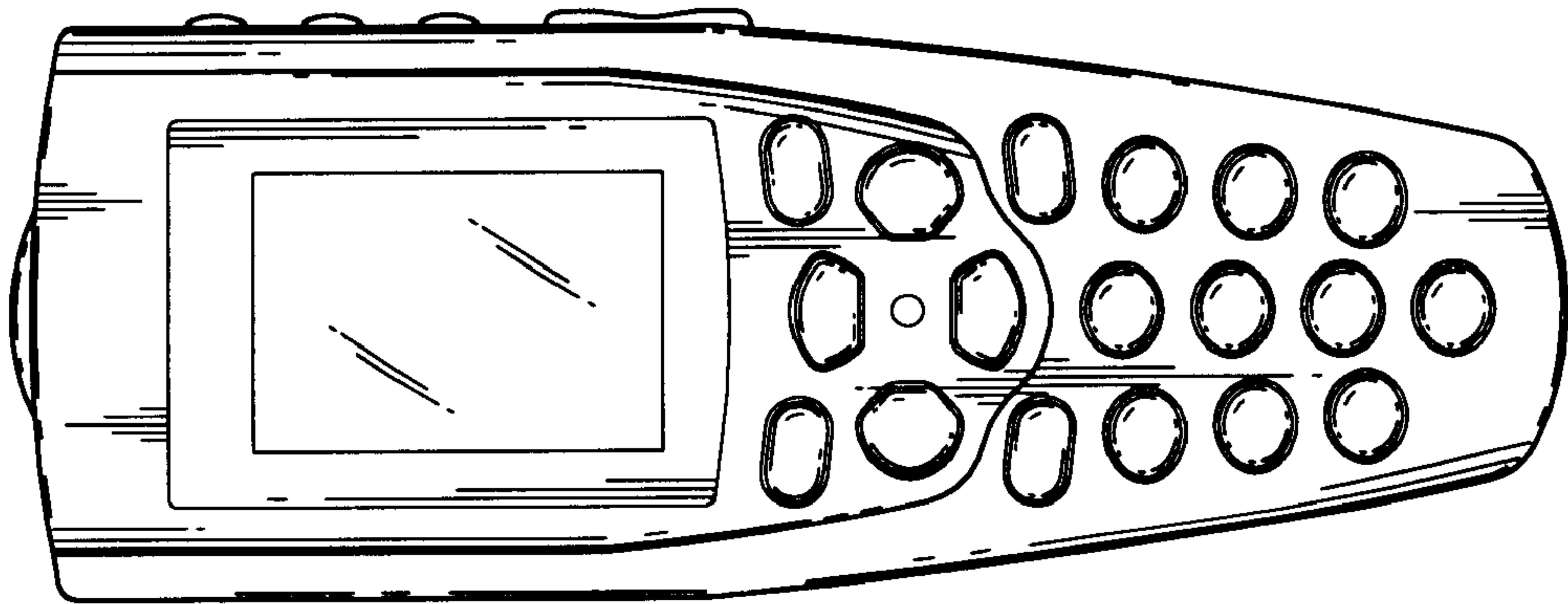
- D222,542 S \* 11/1971 Matsumoto ..... D19/60
- 4,740,913 A \* 4/1988 Washizuka et al. .... 434/157
- D317,626 S \* 6/1991 Muller ..... D19/60
- D375,515 S \* 11/1996 Takeda et al. .... D17/99
- 5,827,071 A \* 10/1998 Sorensen et al. .... 434/323

**1 Claim, 5 Drawing Sheets**

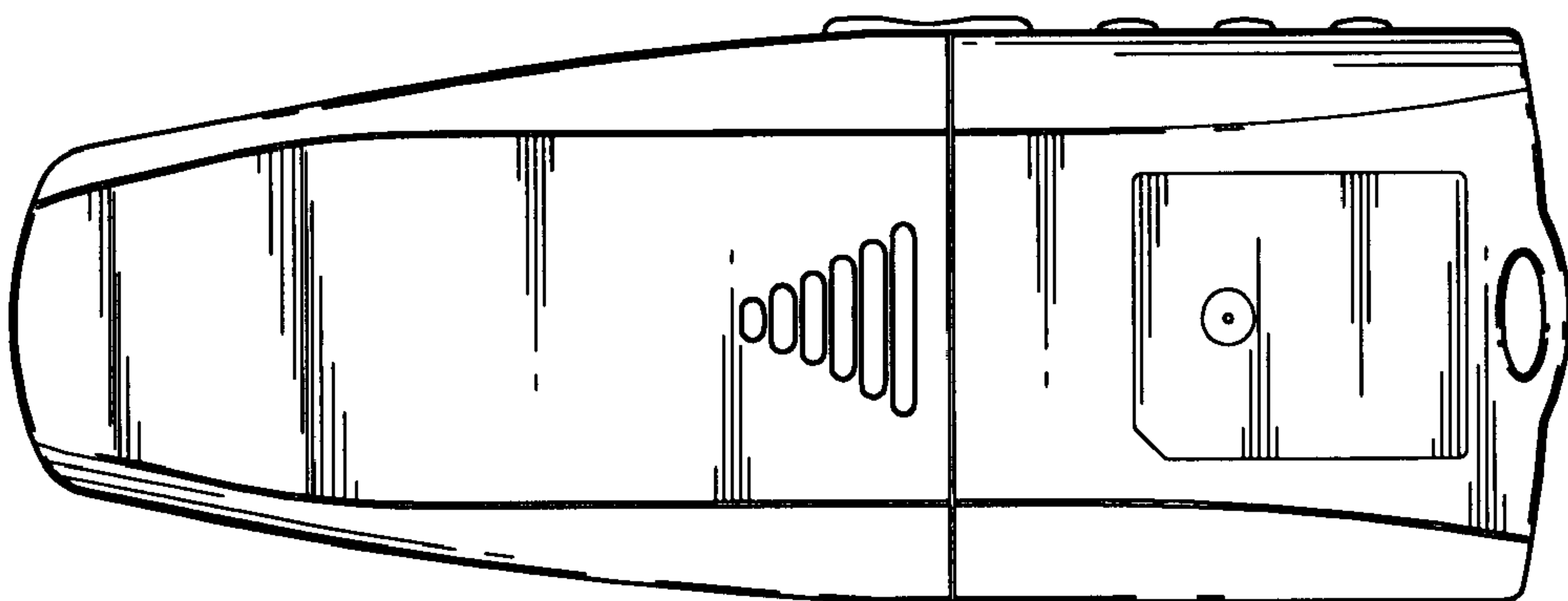




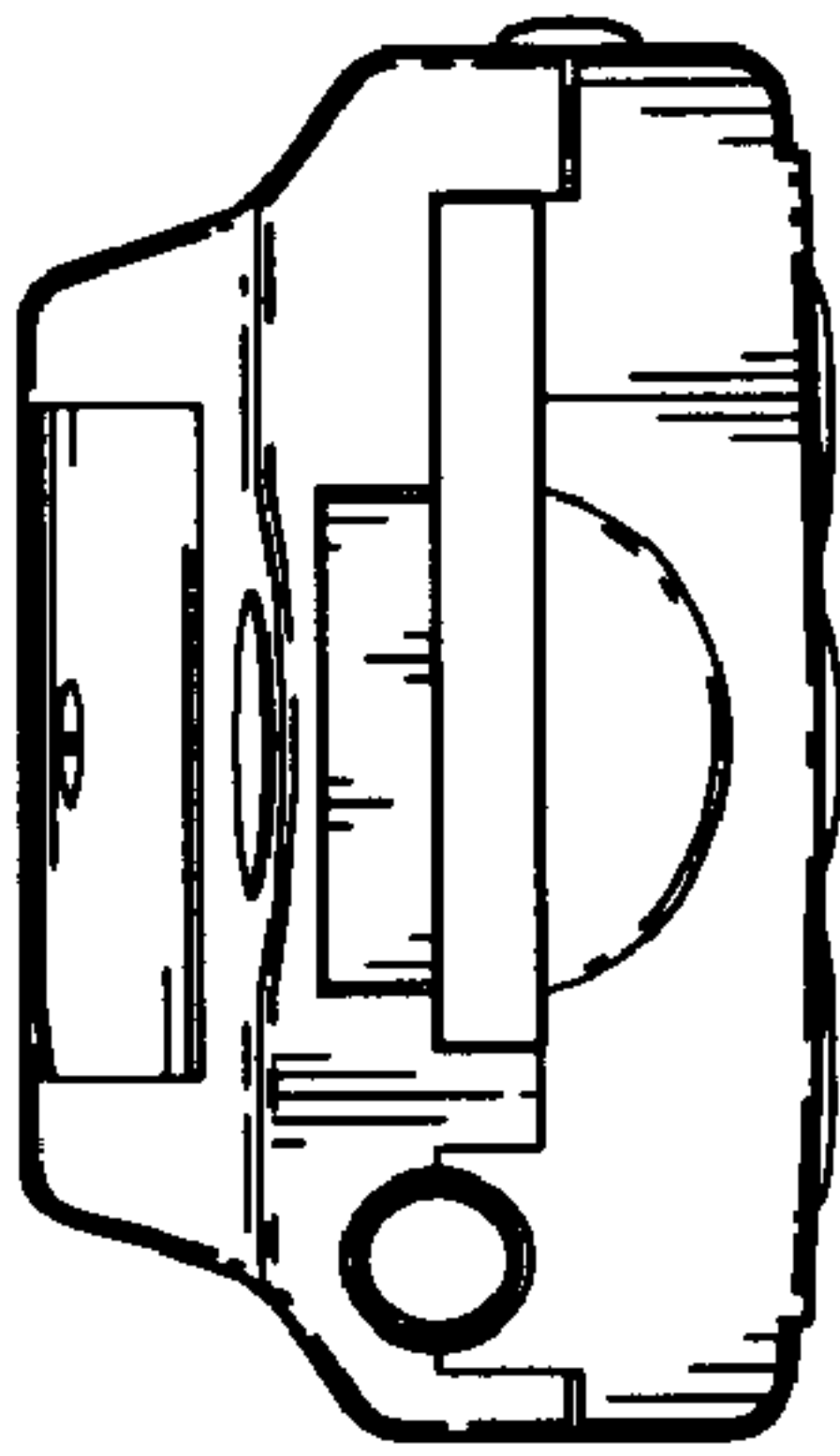
***FIG. 1***



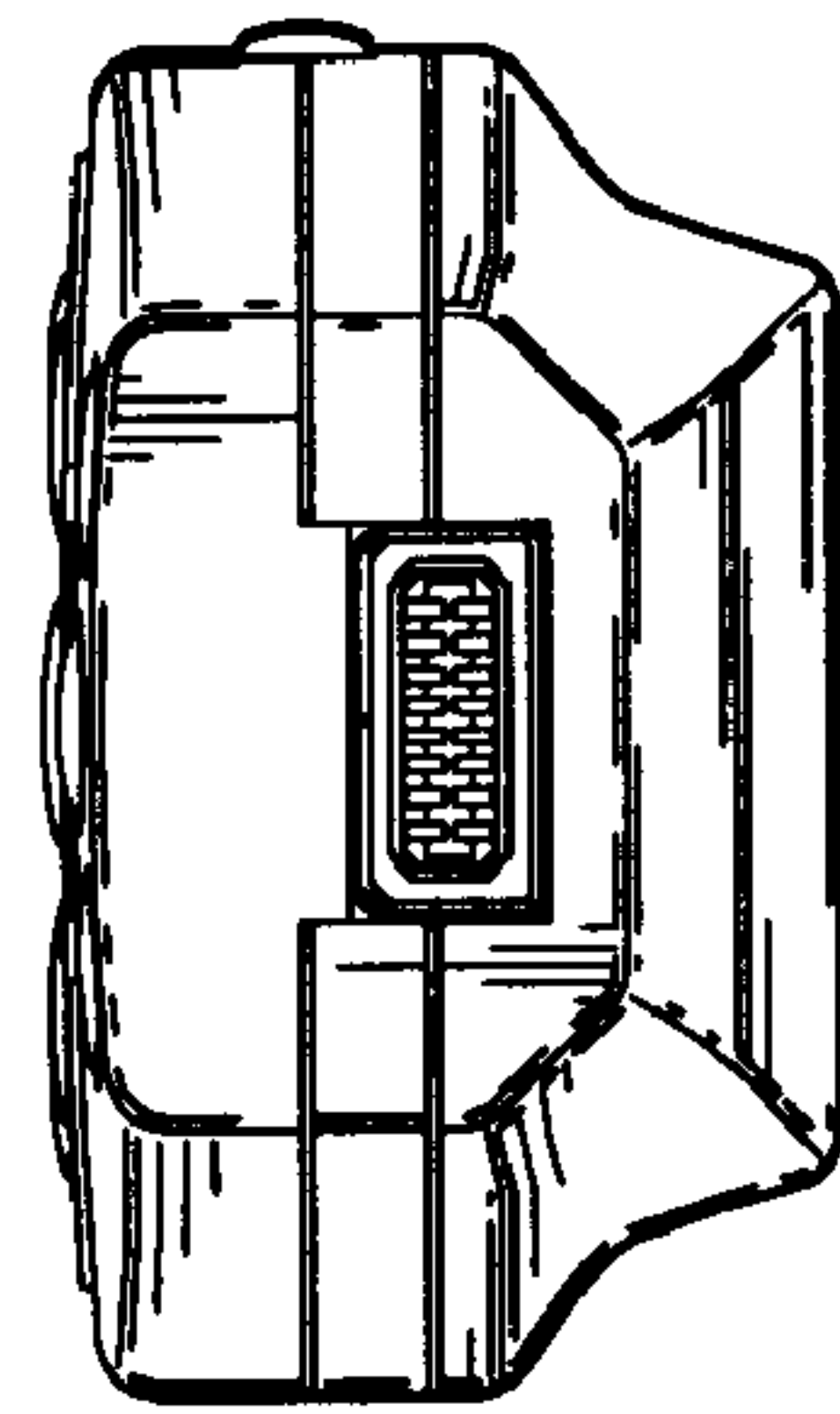
**FIG. 2**



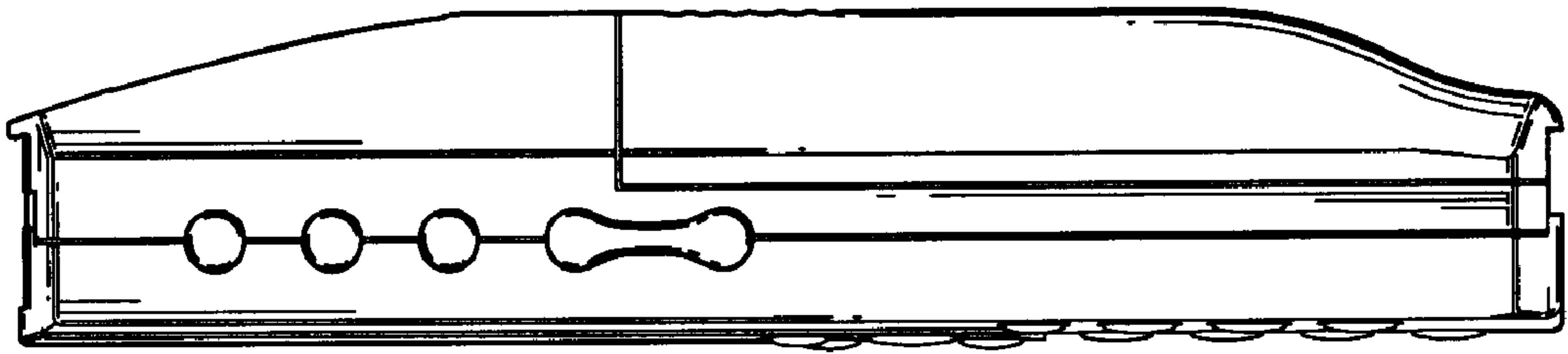
**FIG. 3**



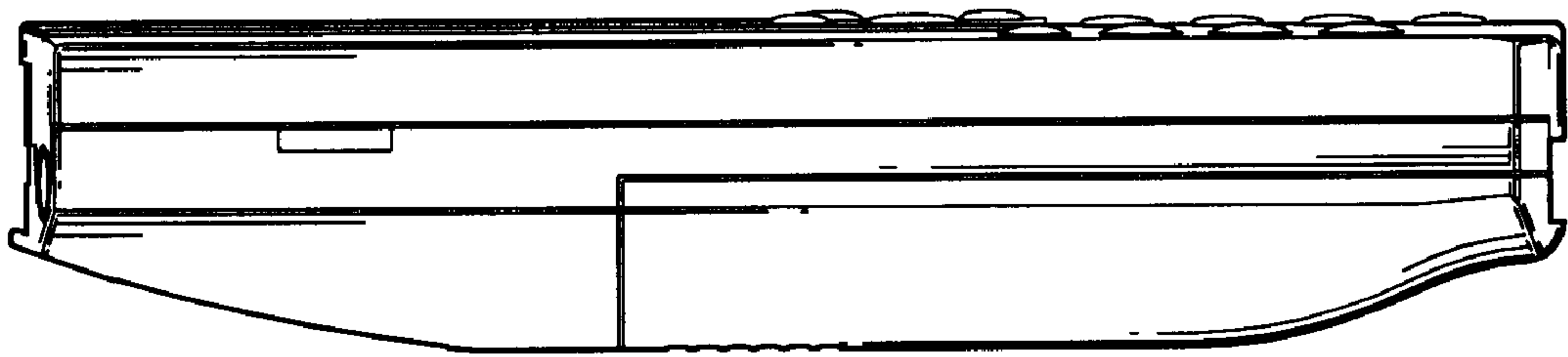
***FIG. 4***



***FIG. 5***

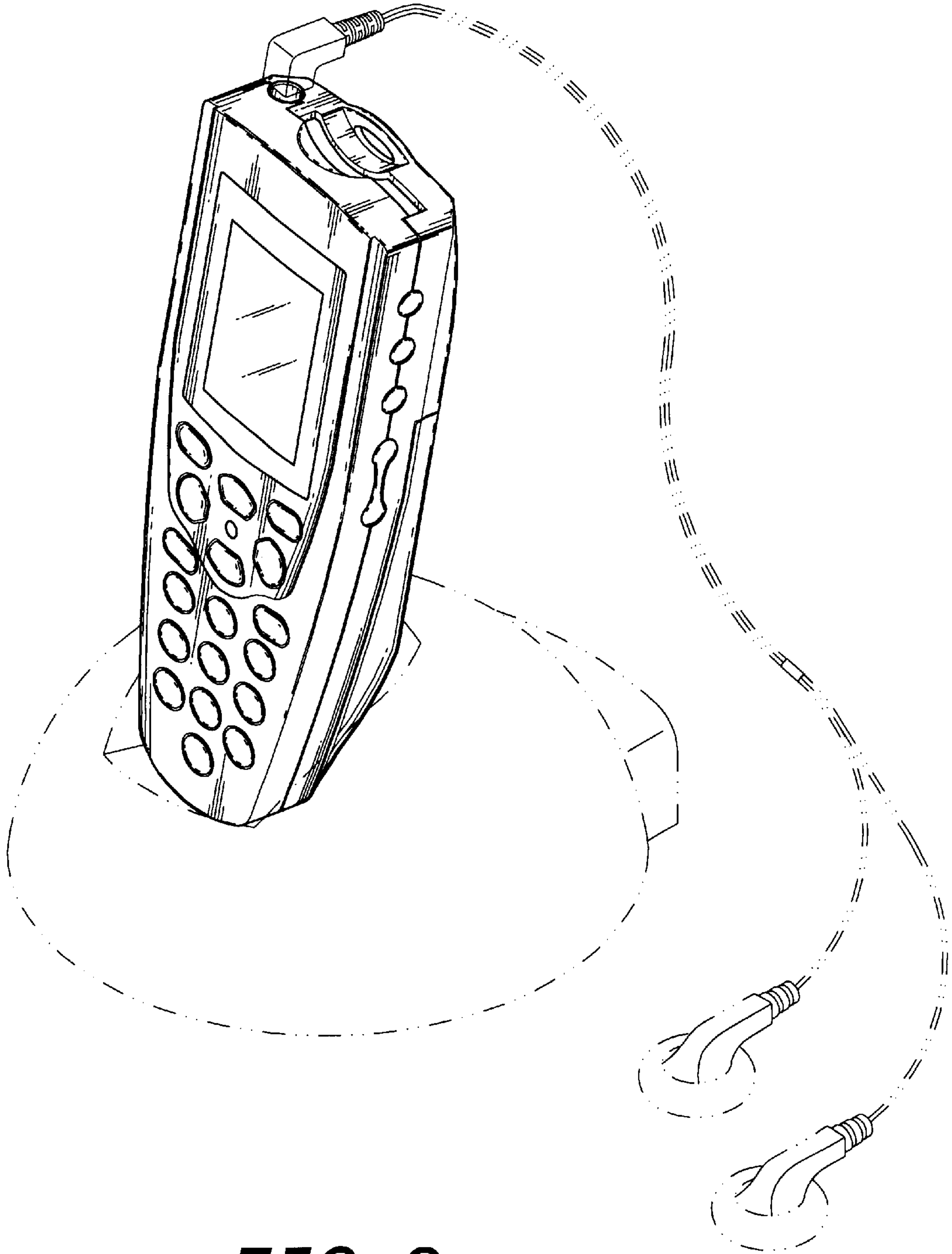


**FIG. 6**



**FIG. 7**





**FIG. 8**