



US00D453792S

(12) **United States Design Patent**  
**Tung**

(10) **Patent No.:** **US D453,792 S**

(45) **Date of Patent:** **\*\* Feb. 19, 2002**

(54) **WRITING IMPLEMENT**

(76) Inventor: **Su-Hua Tung**, PO Box 82-144, Taipei (TW)

(\*\*) Term: **14 Years**

(21) Appl. No.: **29/144,454**

(22) Filed: **Jul. 5, 2001**

(51) **LOC (7) Cl.** ..... **19-06**

(52) **U.S. Cl.** ..... **D19/43; D19/50; D19/51; D19/56**

(58) **Field of Search** ..... D19/35, 36, 41-43, D19/44-48, 49-51, 53-58, 81-85; 401/98, 53, 202, 209, 213, 243-247, 262

(56) **References Cited**

**U.S. PATENT DOCUMENTS**

D182,162 S	*	2/1958	Carreiro	.....	D19/51
3,140,694 A	*	7/1964	Reed	.....	401/53
D327,707 S	*	7/1992	Katami	.....	D19/49
D339,606 S	*	9/1993	Podobrin	.....	D19/43
D357,277 S	*	4/1995	Baillon	.....	D19/51

D418,872 S	*	1/2000	Leibeck	.....	D19/50
D431,455 S	*	10/2000	Mansau	.....	D9/307
D439,613 S	*	3/2001	Ham	.....	D19/43

\* cited by examiner

*Primary Examiner*—Martie K. Holtje  
(74) *Attorney, Agent, or Firm*—A & J

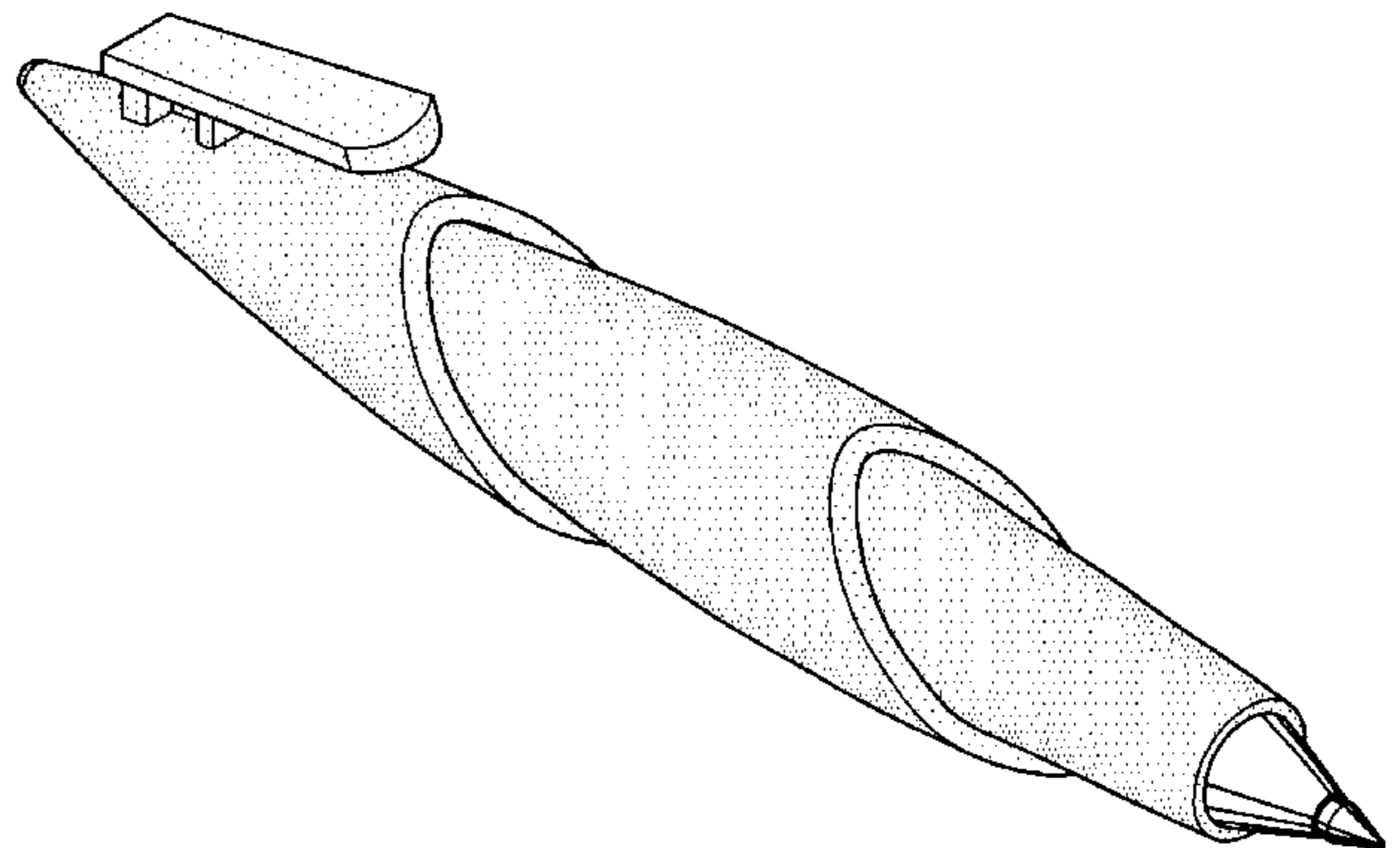
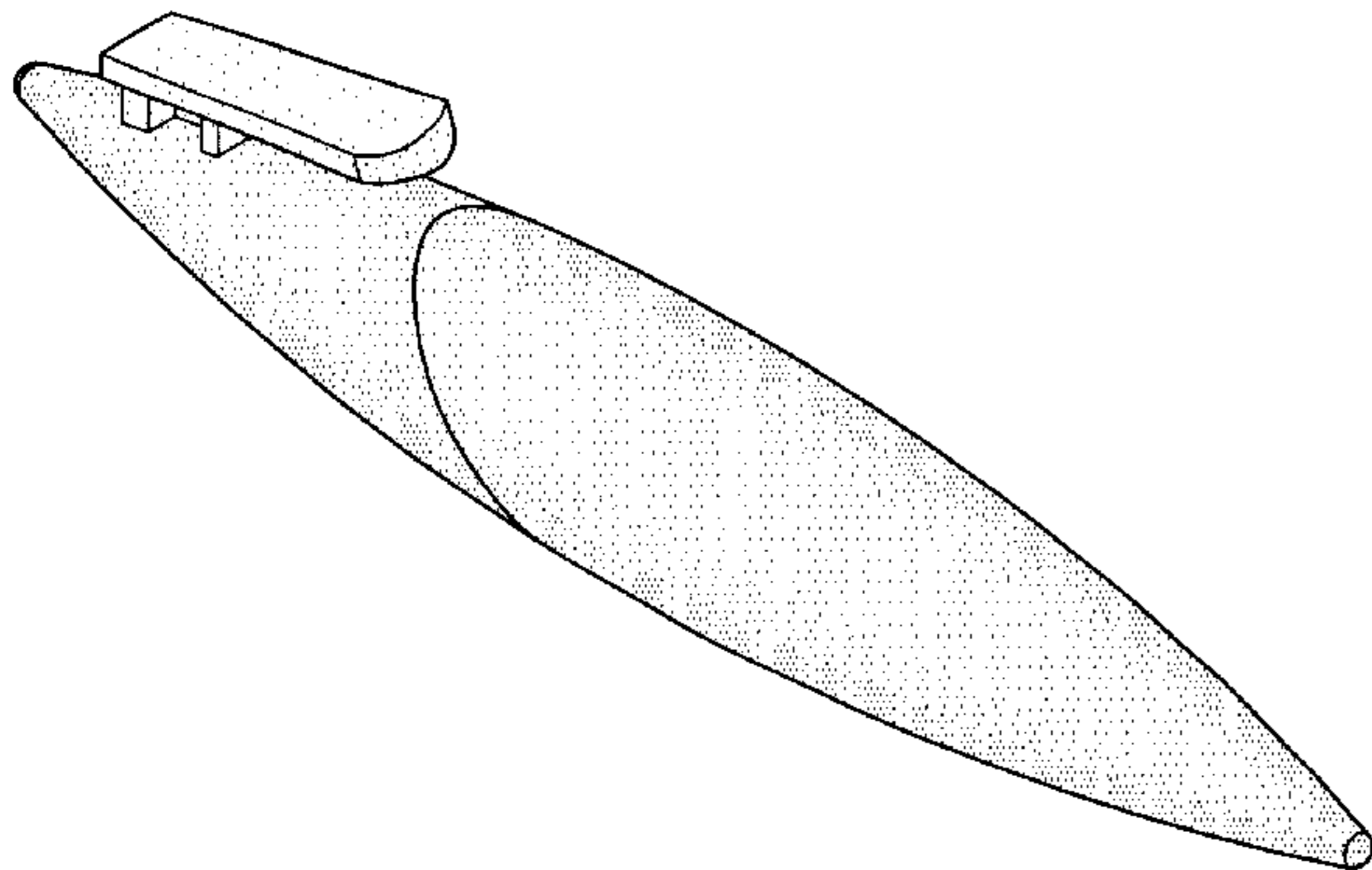
(57) **CLAIM**

The ornamental design for a writing implement, as shown and described.

**DESCRIPTION**

FIG. 1 is a front elevational view of a writing implement showing my new design;  
FIG. 2 is a left side elevational view thereof;  
FIG. 3 is a right side elevational view thereof;  
FIG. 4 is a rear elevational view thereof;  
FIG. 5 is a top plan view thereof; and  
FIG. 6 is a bottom plan view thereof.  
FIG. 7 is a left front perspective view thereof; and,  
FIG. 8 is a left front perspective view of the writing implement in use.

**1 Claim, 4 Drawing Sheets**



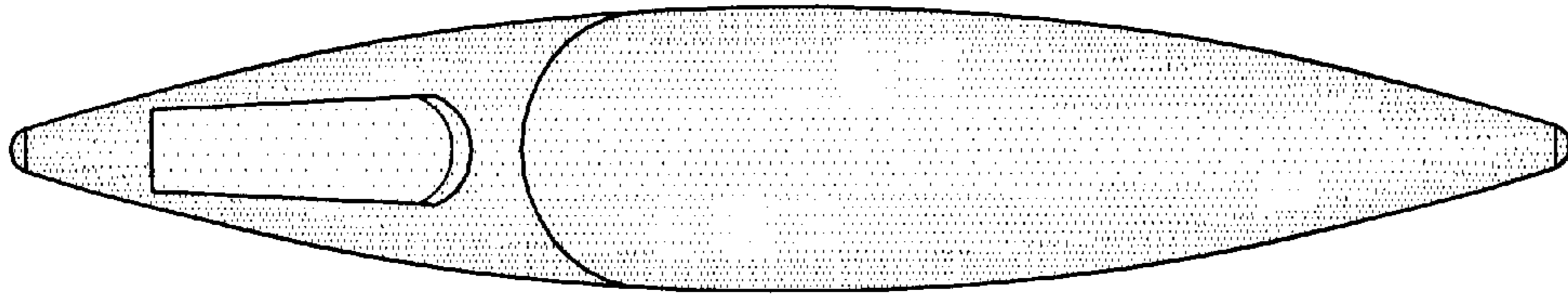


FIG. 1

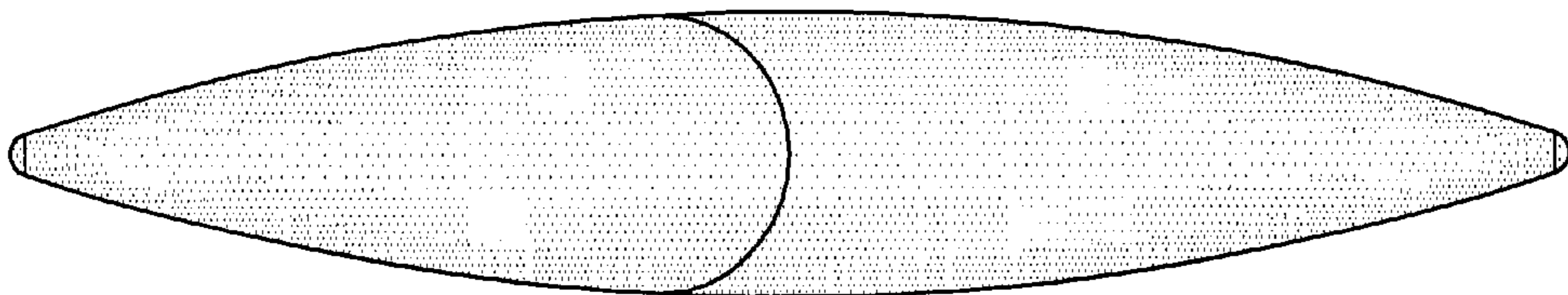


FIG. 4

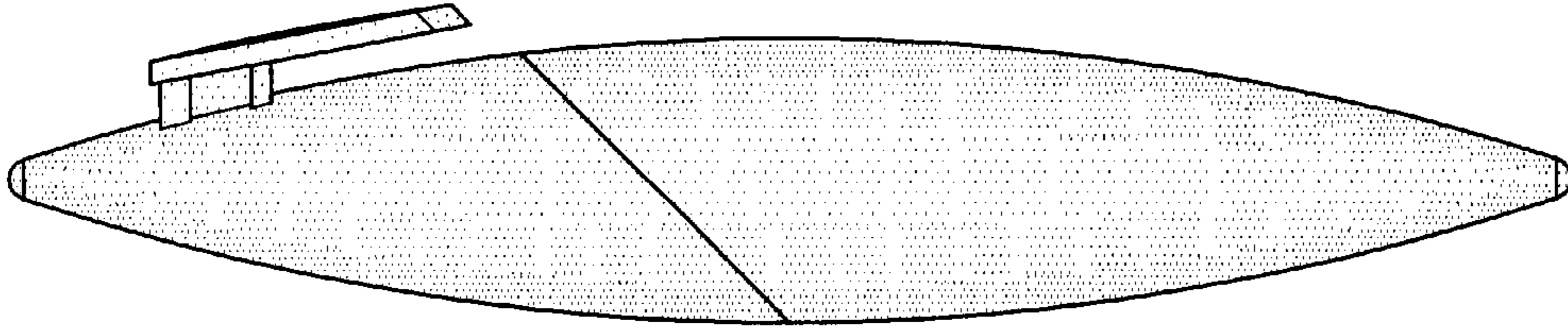


FIG. 2

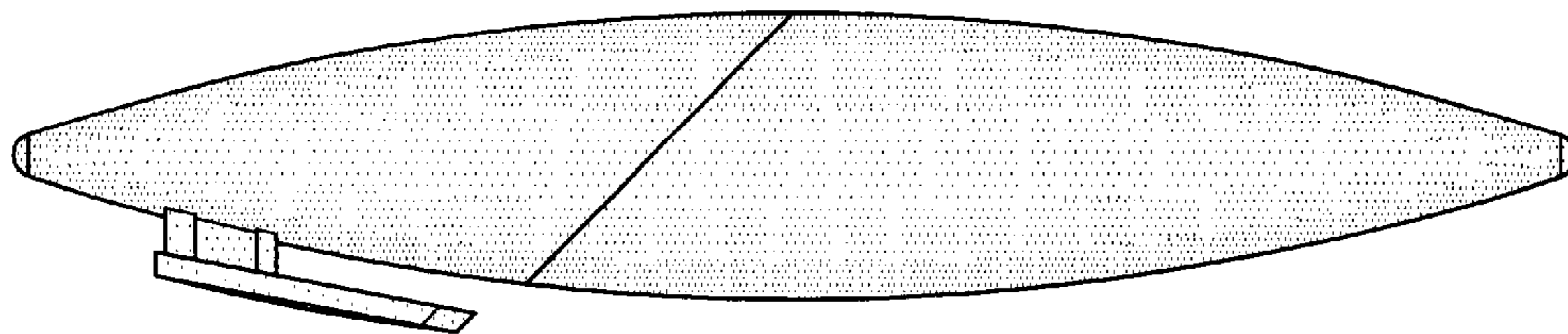


FIG. 3

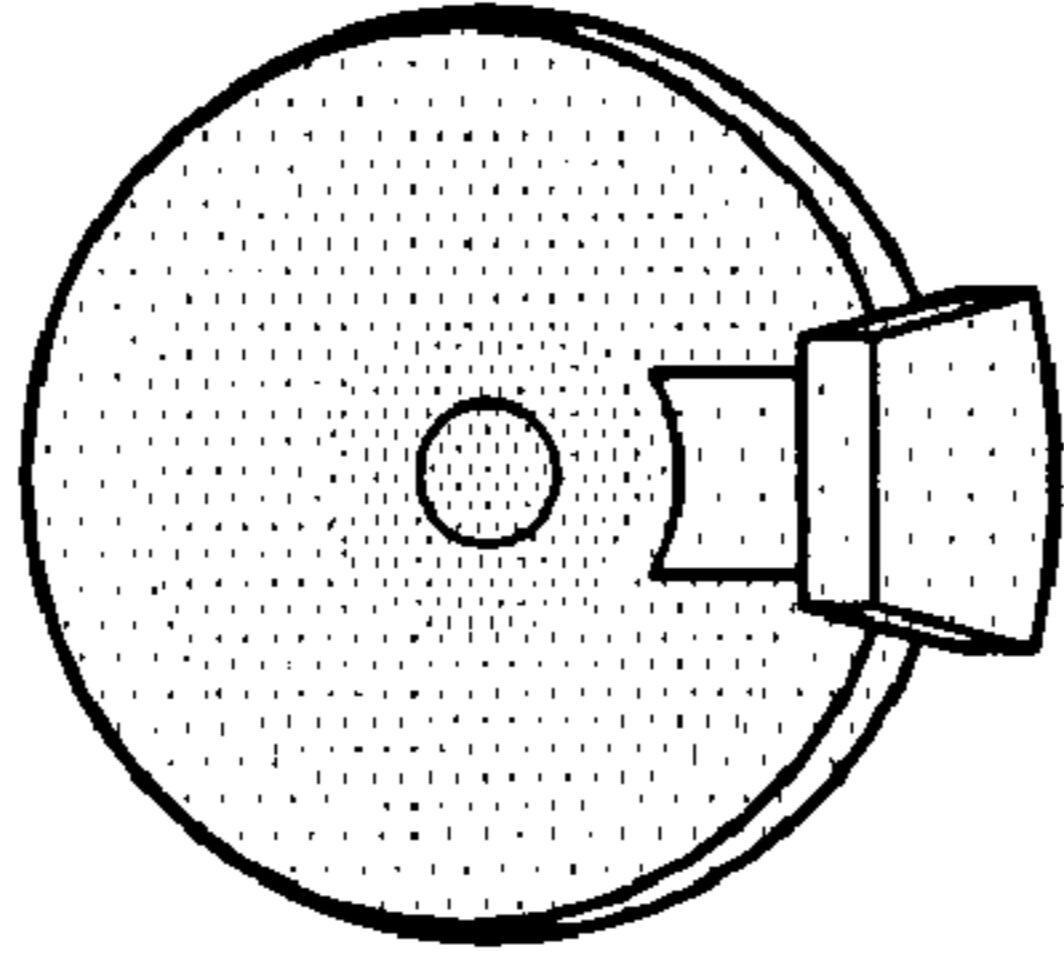


FIG. 5

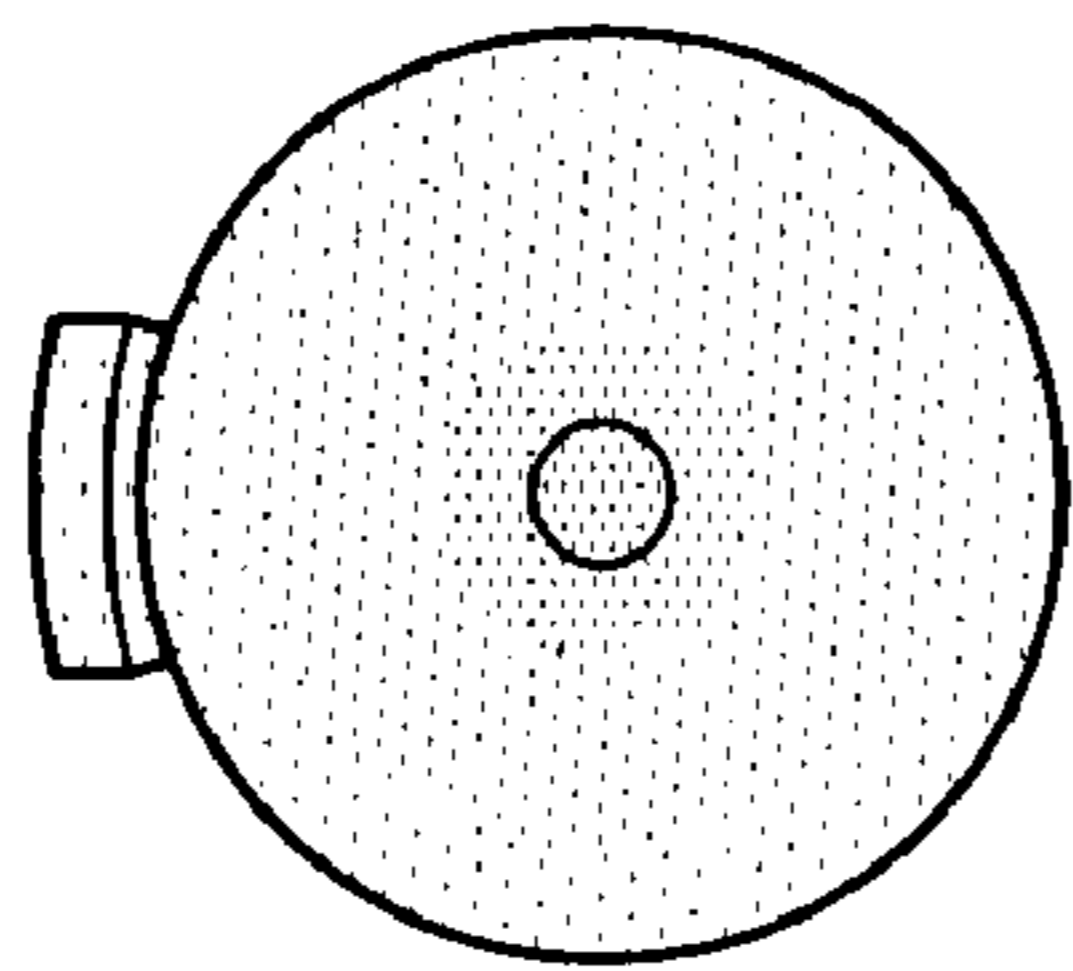


FIG. 6

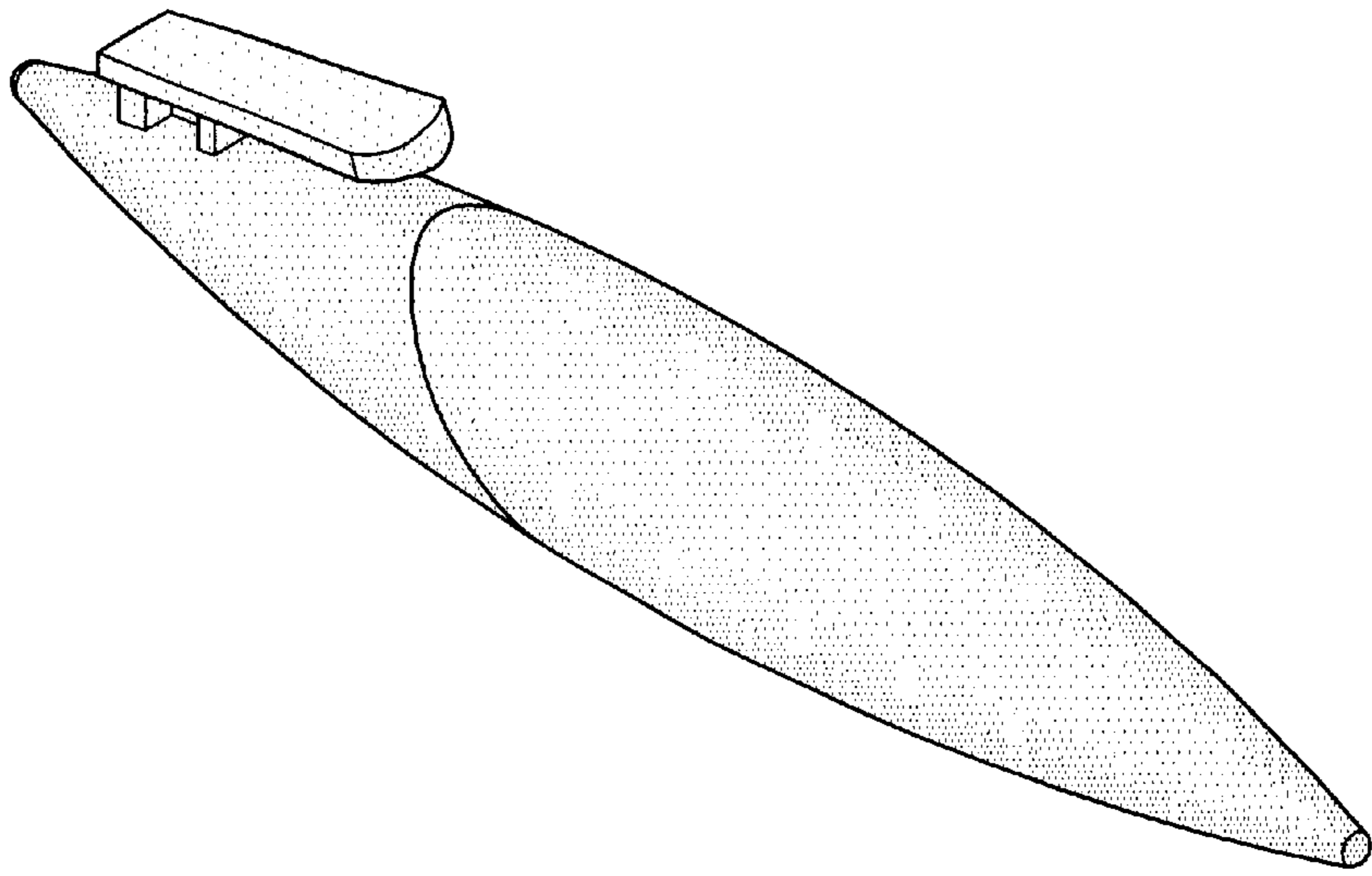


FIG. 7

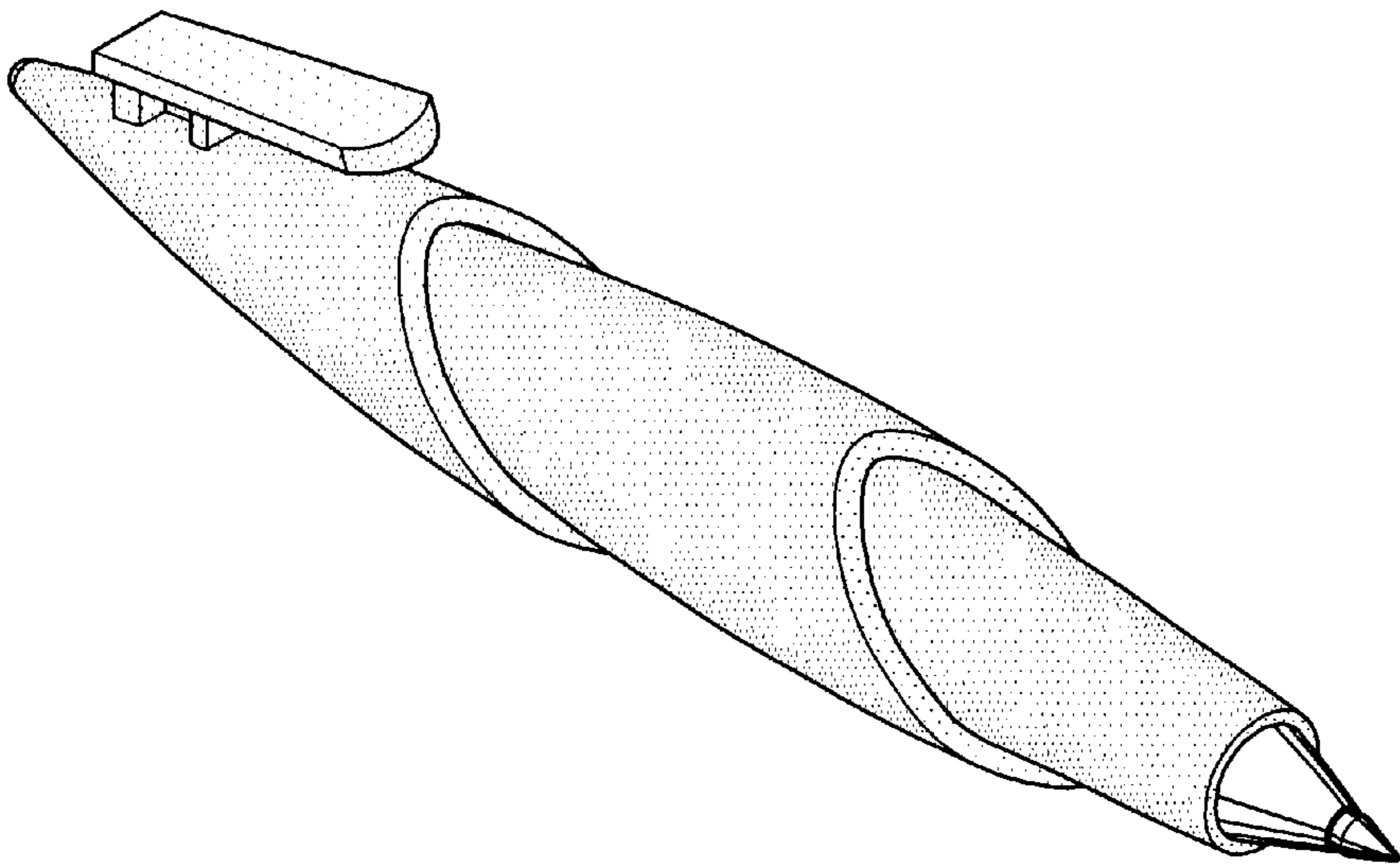


FIG. 8