



US00D453785S

(12) **United States Design Patent**
Grossmann

(10) **Patent No.:** **US D453,785 S**

(45) **Date of Patent:** **** Feb. 19, 2002**

(54) **SHEET DELIVERY MACHINE**

D363,735 S * 10/1995 Karafuji et al. D18/53

(76) Inventor: **Karsten Grossmann**, Köhlerstrasse 64f,
01689 Weinböhla (DE)

* cited by examiner

(**) Term: **14 Years**

Primary Examiner—Stacia Cadmus
Assistant Examiner—Elizabeth A. Albert
(74) *Attorney, Agent, or Firm*—Goodwin Procter L.L.P.

(21) Appl. No.: **29/119,885**

(22) Filed: **Mar. 9, 2000**

(57) **CLAIM**

(30) **Foreign Application Priority Data**

The ornamental design for a sheet delivery machine, as shown and described.

Sep. 11, 1999 (DE) 499 08 704

DESCRIPTION

(51) **LOC (7) Cl.** **18-99**

FIG. 1 is a front elevational view of the sheet delivery machine;

(52) **U.S. Cl.** **D18/48**

FIG. 2 is a right perspective view of the sheet delivery machine; and,

(58) **Field of Search** D18/46, 47, 48,
D18/49, 50, 53; 271/3.14, 8.1, 278, 3.05,
3.06, 3.07, 3.08, 3.09

FIG. 3 is a left perspective view thereof.

(56) **References Cited**

The broken line showing of controls is for illustrative purposes only and forms no part of the claimed design.

U.S. PATENT DOCUMENTS

D196,687 S * 10/1963 Van Valkinburgh et al. . D18/53

1 Claim, 1 Drawing Sheet

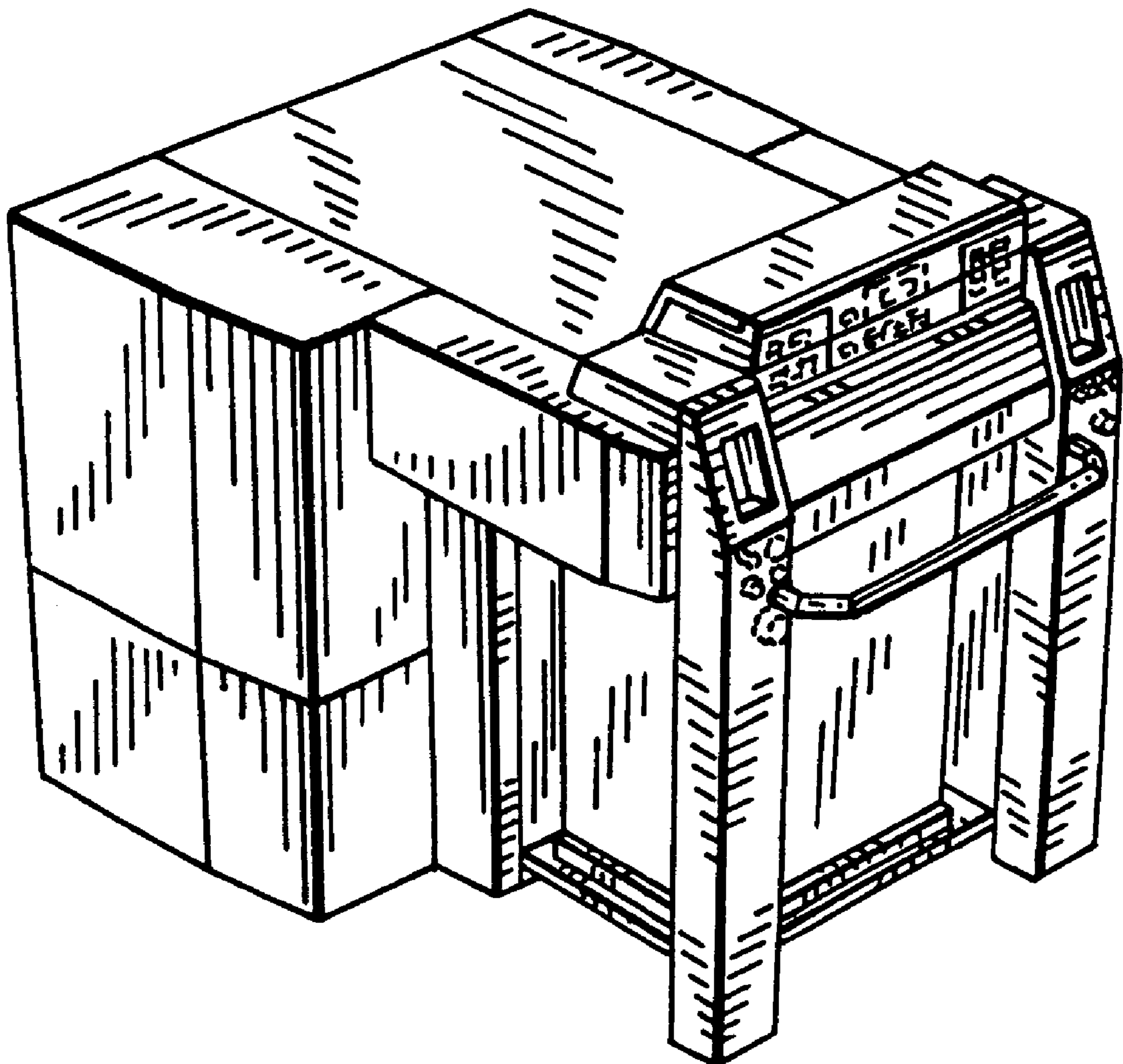


FIG. 1

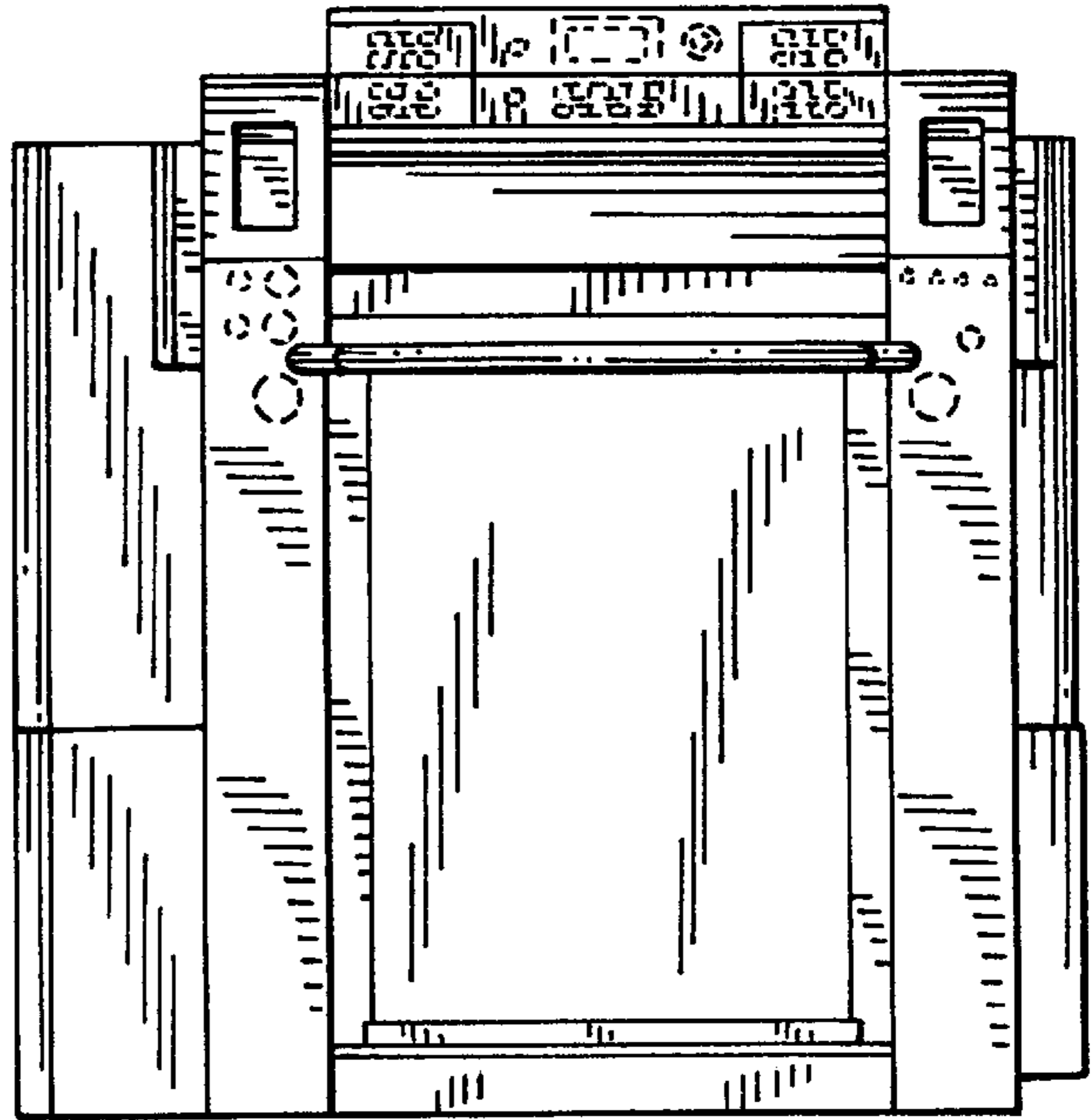


FIG. 2

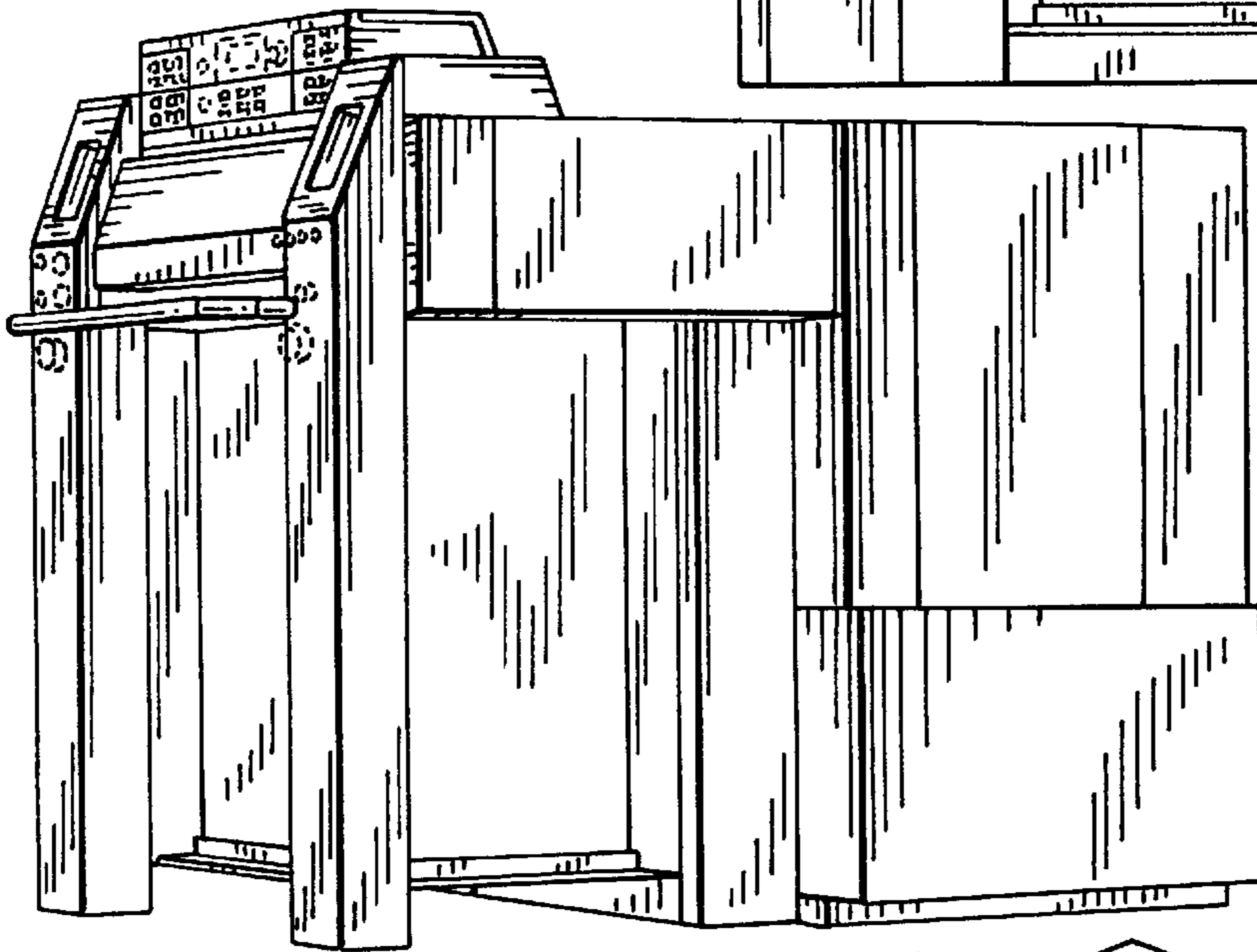


FIG. 3

