



US00D453784S

(12) **United States Design Patent**
Harden

(10) **Patent No.:** **US D453,784 S**

(45) **Date of Patent:** **** Feb. 19, 2002**

(54) **STAMPER WITH A CAP**

(75) Inventor: **Dan Harden**, Palo Alto, CA (US)

(73) Assignee: **Shachihata Inc.**, Aichi-Ken (JP)

(**) Term: **14 Years**

(21) Appl. No.: **29/136,130**

(22) Filed: **Jan. 26, 2001**

(51) **LOC (7) Cl.** **19-02**

(52) **U.S. Cl.** **D18/15**

(58) **Field of Search** D18/14-18; 101/327,
101/333, 334, 368, 371, 379, 405; 401/199;
D19/65

(56) **References Cited**

U.S. PATENT DOCUMENTS

D376,383 S	*	12/1996	Harden	D18/14
D385,905 S	*	11/1997	Harden	D18/15
5,855,170 A	*	1/1999	Shih	101/327
D417,232 S	*	11/1999	Harden	D18/14
D430,891 S	*	9/2000	Faber	D18/15

OTHER PUBLICATIONS

Guernsey Office Products' General Line Catalog (c)2000;
Item "F" on p. 996- the Xstamper.*

* cited by examiner

Primary Examiner—Alan P. Douglas

Assistant Examiner—Clare E. Heflin

(74) *Attorney, Agent, or Firm*—Nixon Peabody LLP;
Donald R. Studebaker

(57) **CLAIM**

The ornamental design for a stamper with a cap, as shown and described.

DESCRIPTION

FIG. 1 is a perspective view of a stamper with a cap attached thereto to cover a stamping face, embodying my design,

FIG. 2 is a front elevational view of FIG. 1.

FIG. 3 is a top plan view of FIG. 1,

FIG. 4 is a bottom plan view of FIG. 1,

FIG. 5 is a right side elevational view of FIG. 1,

FIG. 6 is a front elevational view of the stamper with the cap separated therefrom,

FIG. 7 is a right side elevational view of the stamper and the cap separated from each other,

FIG. 8 is a bottom plan view of the stamper, showing its stamping face; and,

FIG. 9 is a top plan view of the cap.

1 Claim, 4 Drawing Sheets

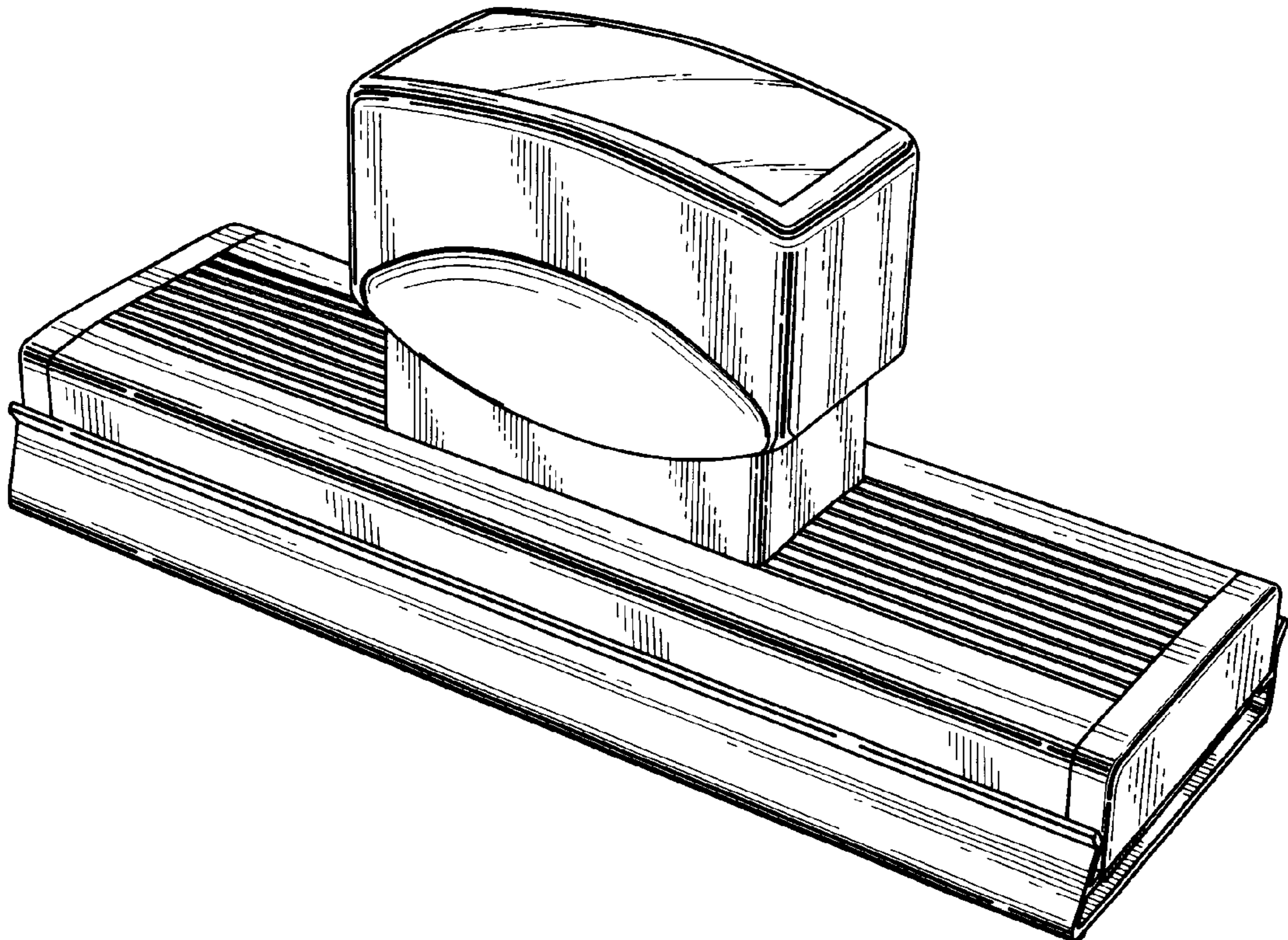


FIG. 1

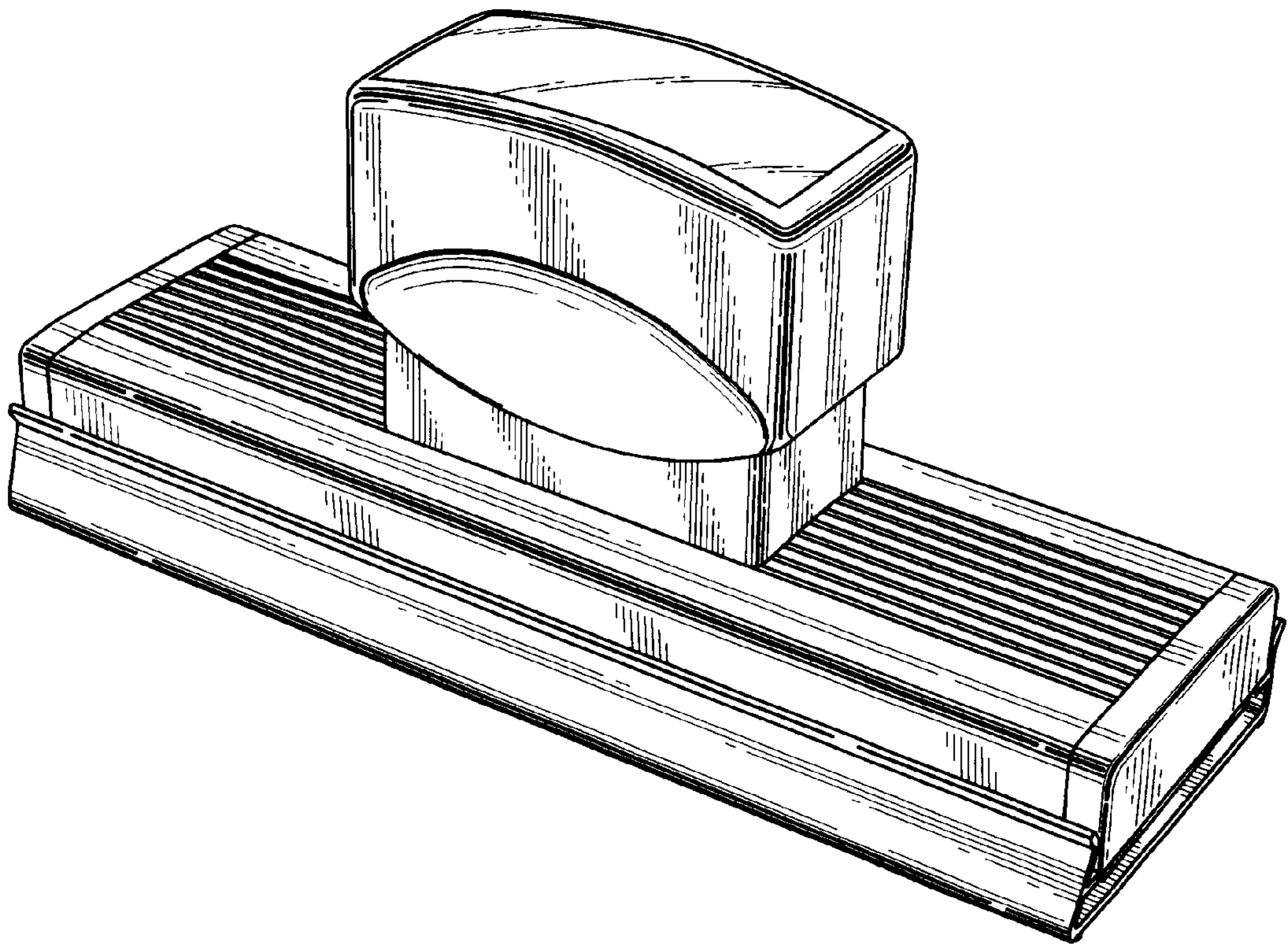


FIG.2

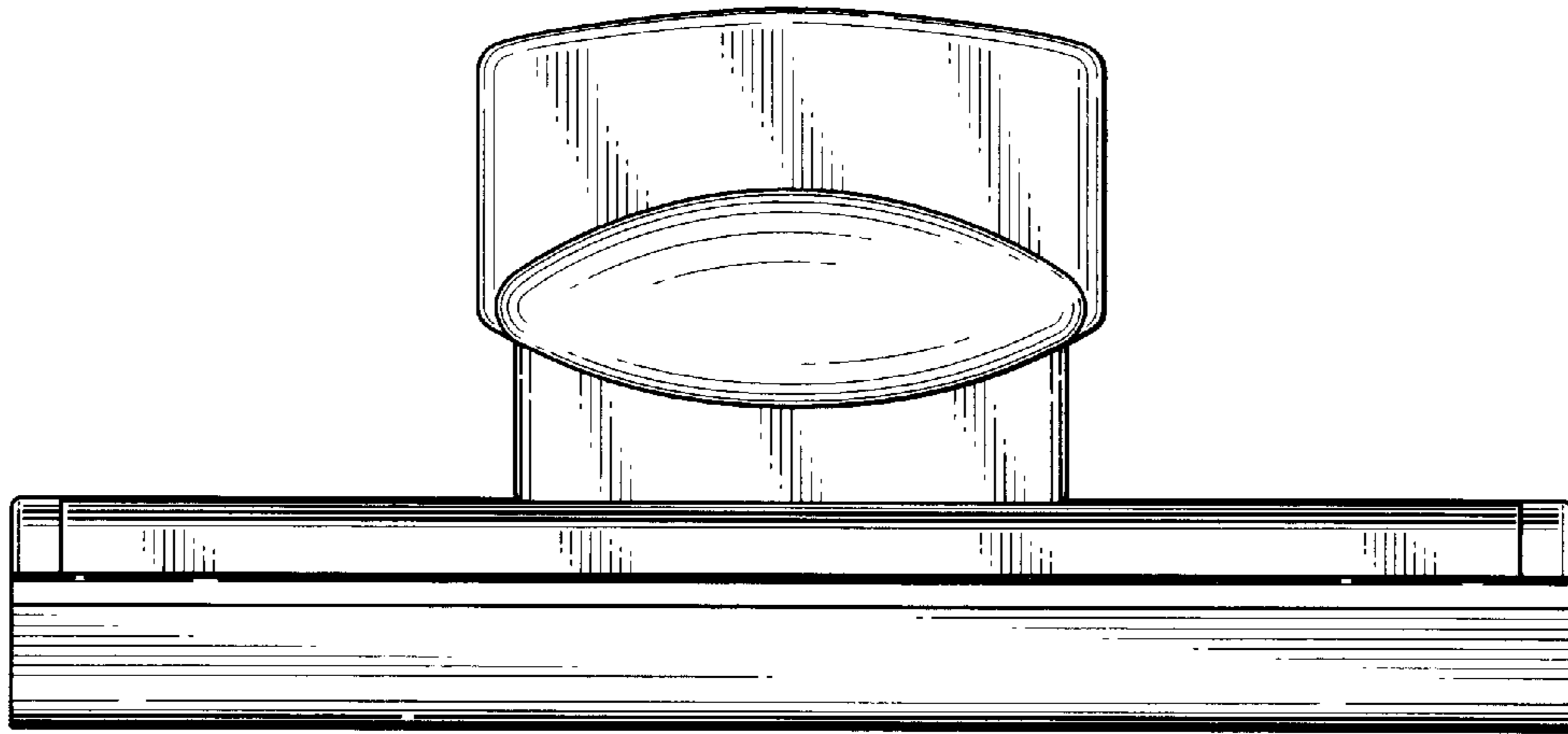


FIG.3

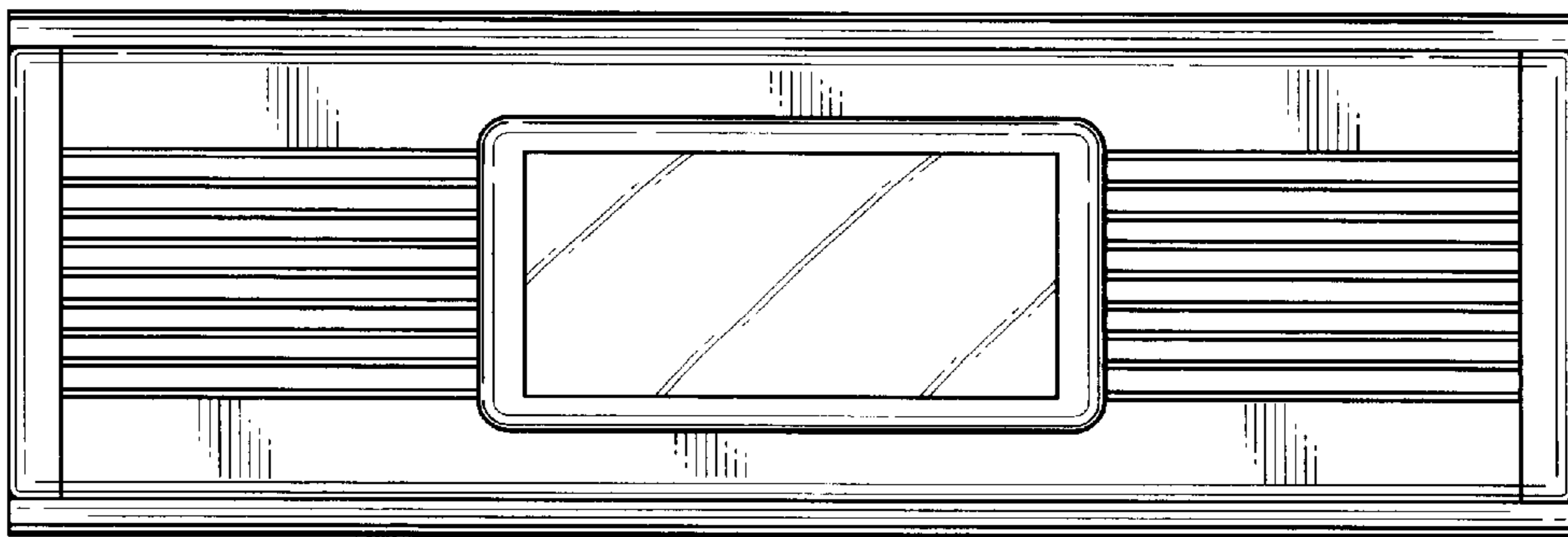


FIG.4

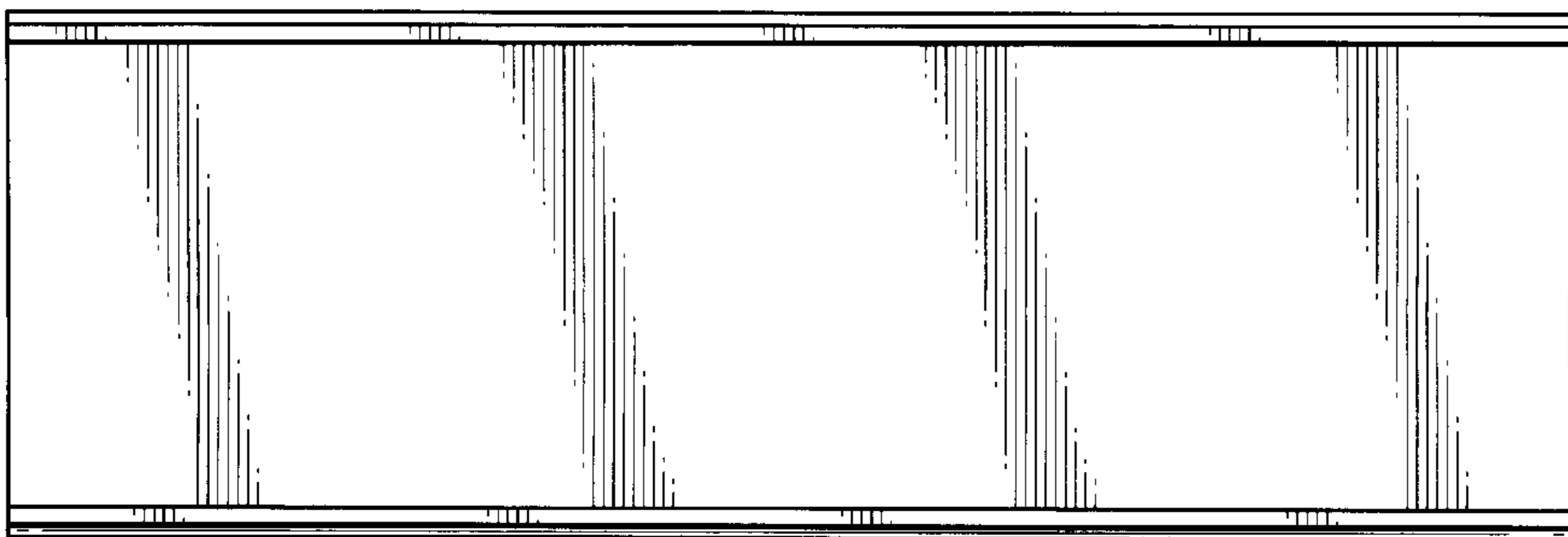


FIG.5

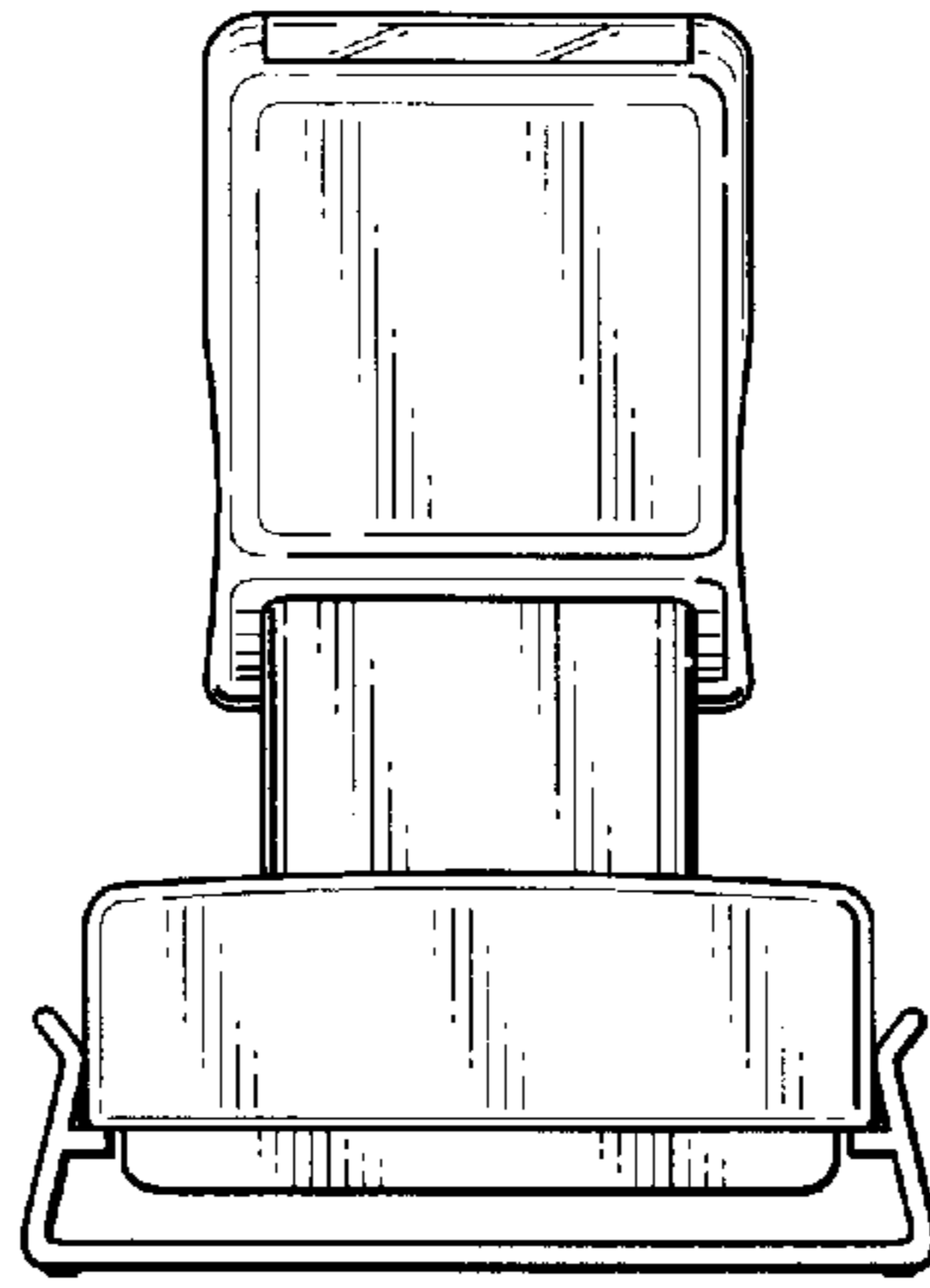


FIG.6

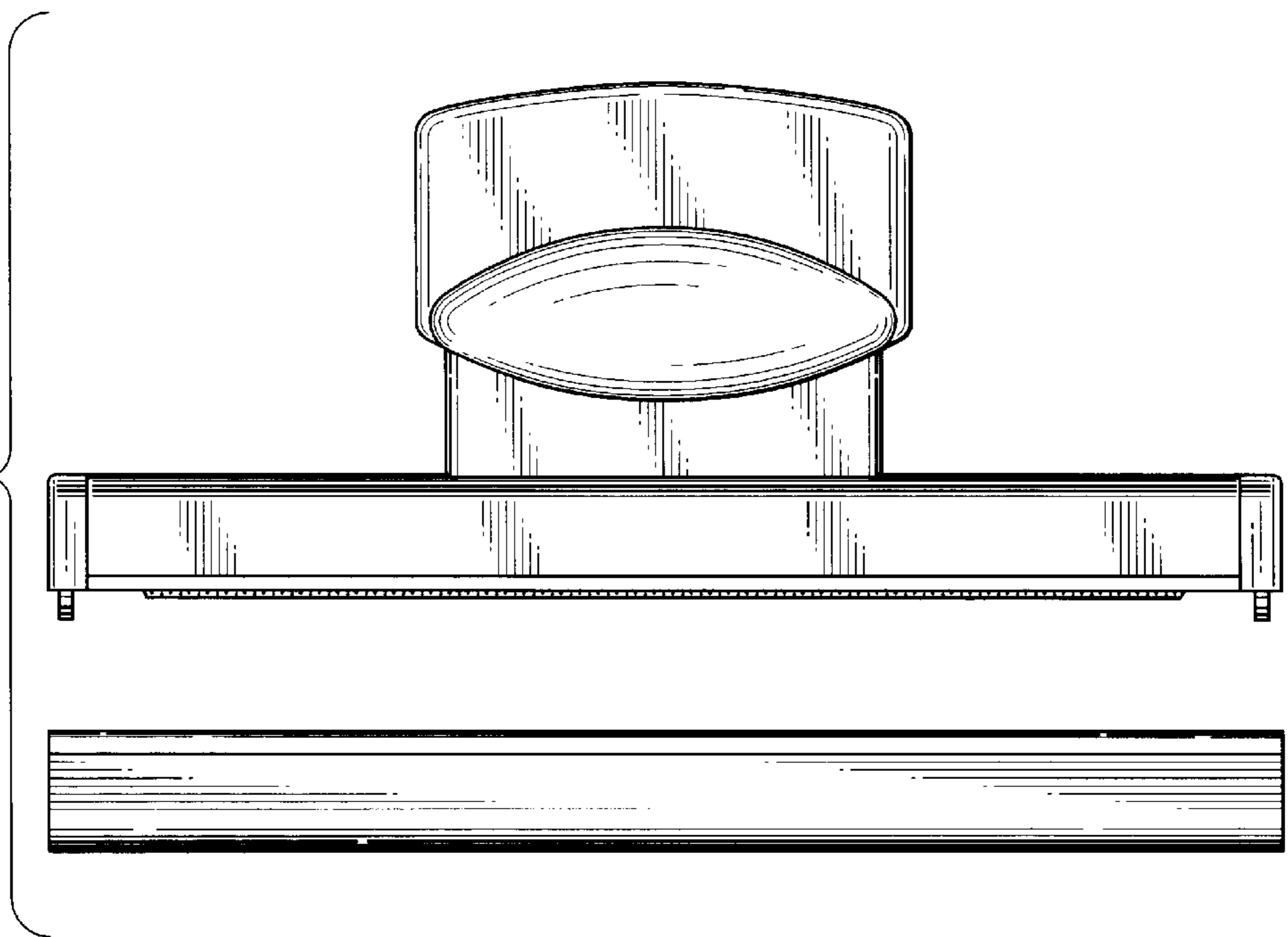


FIG.7

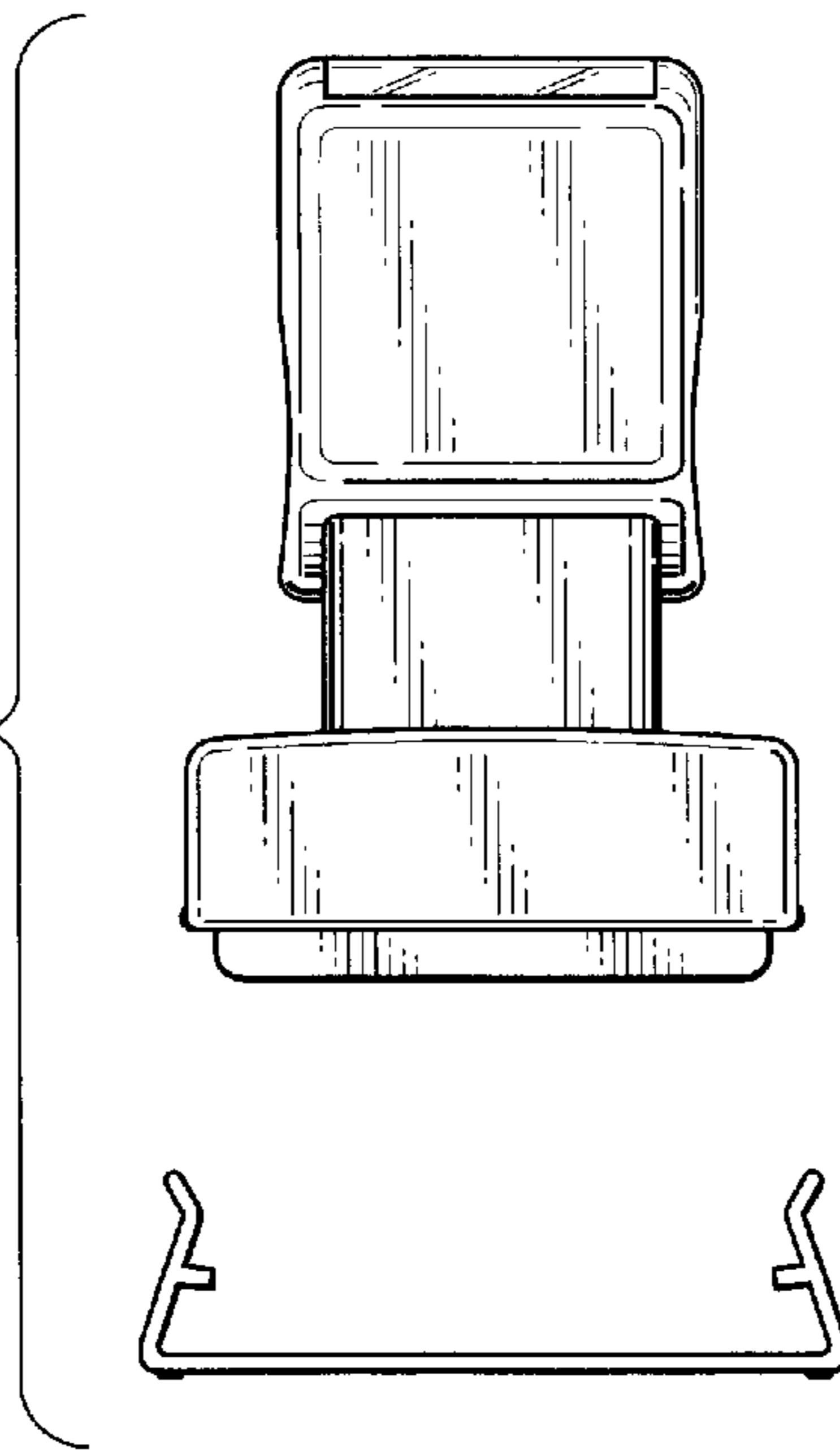


FIG.8

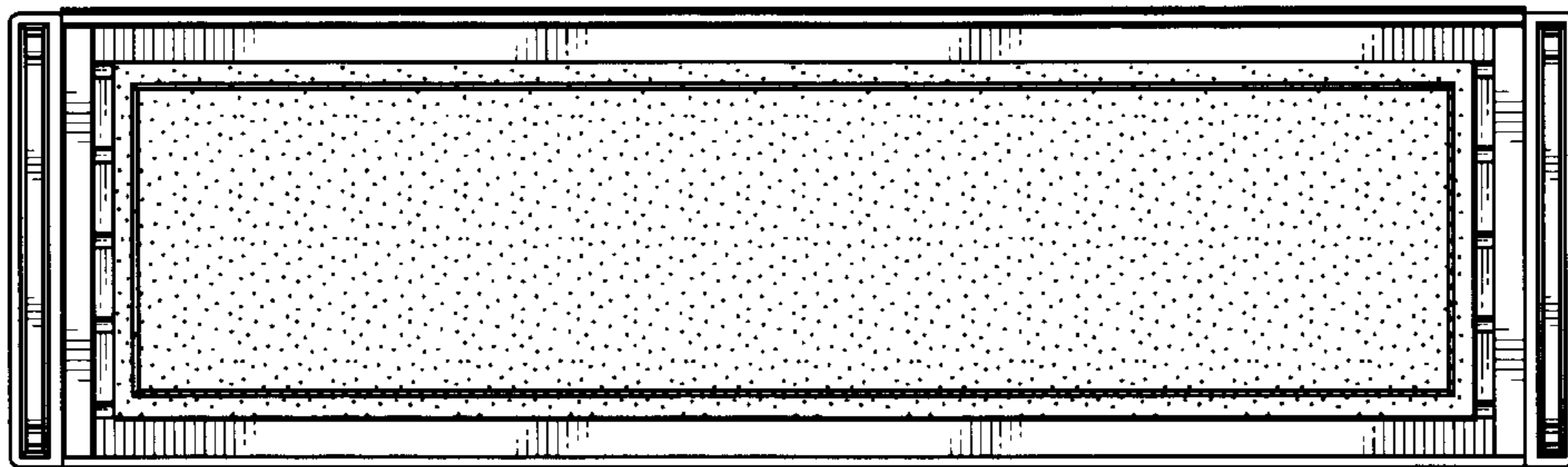


FIG.9

