



US00D453779S

(12) **United States Design Patent** (10) **Patent No.:** **US D453,779 S**
Smith et al. (45) **Date of Patent:** **** Feb. 19, 2002**

(54) **ARM FOR A TILE SAW**

(75) Inventors: **John Charles Smith**, Jackson; **Michael Chad Hollis**, Medina; **Leslie Daily Gist**, Jackson; **Ginger Lea Allen**, Medina, all of TN (US)

(73) Assignee: **Porter-Cable/Delta**, Jackson, TN (US)

(**) Term: **14 Years**

(21) Appl. No.: **29/138,020**

(22) Filed: **Mar. 5, 2001**

Related U.S. Application Data

(63) Continuation-in-part of application No. 09/714,134, filed on Nov. 17, 2000.

(51) **LOC (7) Cl.** **15-09**

(52) **U.S. Cl.** **D15/142**

(58) **Field of Search** D8/300, 307, 310;
D15/133, 142; 83/483-490, 471.2; 125/13,
14

(56) **References Cited**

U.S. PATENT DOCUMENTS

4,817,581	A	*	4/1989	Trentadue	125/14
D333,825	S	*	3/1993	Price	D15/143
5,676,124	A		10/1997	Lee	125/13.01
RE35,666	E		11/1997	Smith	125/13.01
6,000,387	A		12/1999	Lee	125/13.01
6,080,041	A		6/2000	Greenland	451/11
6,119,676	A		9/2000	Greenland	125/35

FOREIGN PATENT DOCUMENTS

EP	1 000 720	A2	5/2000
JP	11-123611		5/1999

OTHER PUBLICATIONS

U.S. application No. 09/714,134 from John Charles Smith, et al., filed Nov. 17, 2000.

Advertisement featuring VX2.1 Tile Saw from Pearl Abrasive Co.

Advertisement featuring MK Diamond Products' MK-370, MK-101, MK-770, MK-1080, MK-660, and MK-880 tile saws, 1999.

MK 370 Tile Saw Owner's Manual Parts Listing & Operating Instructions, Manual Part No. 156760, Revision Jul. 1998.

Pearl Abrasive Co. VX Tile Saw Stand Instruction Sheet, Revision Feb. 1999.

Advertisement featuring MK Diamond Products' Tools & Accessories including the MK-ATS Stand, 1998.

* cited by examiner

Primary Examiner—Antoine Duval Davis

(74) *Attorney, Agent, or Firm*—Hunton & Williams

(57) **CLAIM**

The ornamental design for an arm for a tile saw, as shown and described.

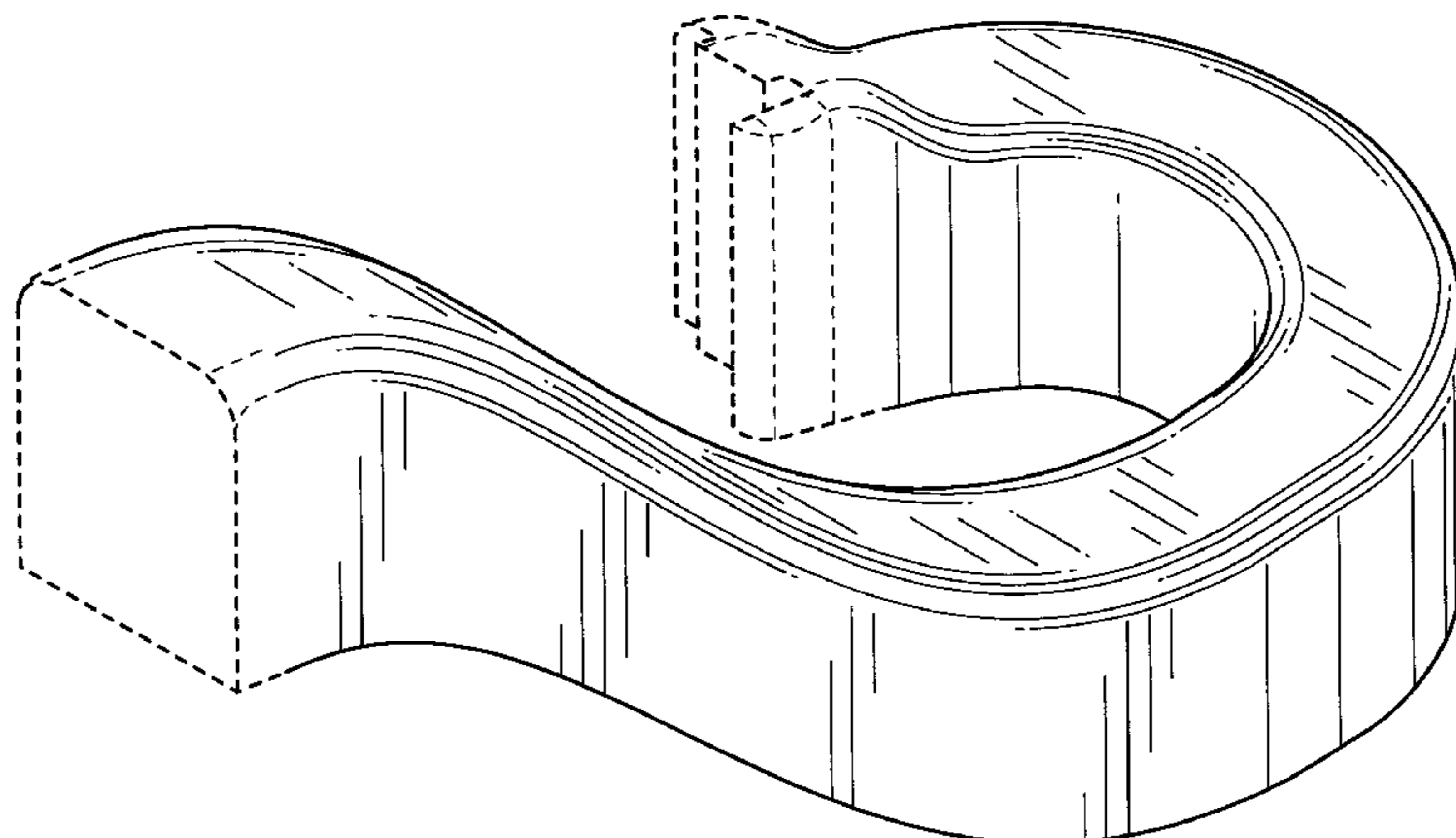
DESCRIPTION

This application is related by subject matter to application Ser. No. 29/138,021 entitled "Table for a Tile Saw," and application Ser. No. 29/138,023 entitled "Tub for a Tile Saw."

FIG. 1 is an isometric view of the arm for a tile saw; FIG. 2 is a top view of the arm for a tile saw of FIG. 1; FIG. 3 is a bottom view of the arm for a tile saw of FIG. 1; FIG. 4 is a right-side view of the arm for a tile saw of FIG. 1; FIG. 5 is a front-side view of the arm for a tile saw of FIG. 1; and, FIG. 6 is another isometric view of the arm for a tile saw of FIG. 1 shown in its environment.

The left side of the arm is not shown and forms no part of the claimed design. Each end of the arm includes mating structure, shown in broken lines in the figures, for mating the arm with other components, and the mating structure is shown for illustrative purposes only and forms no part of the claimed design. The broken line illustration of environmental structure in FIG. 6 is for illustrative purposes only and forms no part of the claimed design.

1 Claim, 6 Drawing Sheets



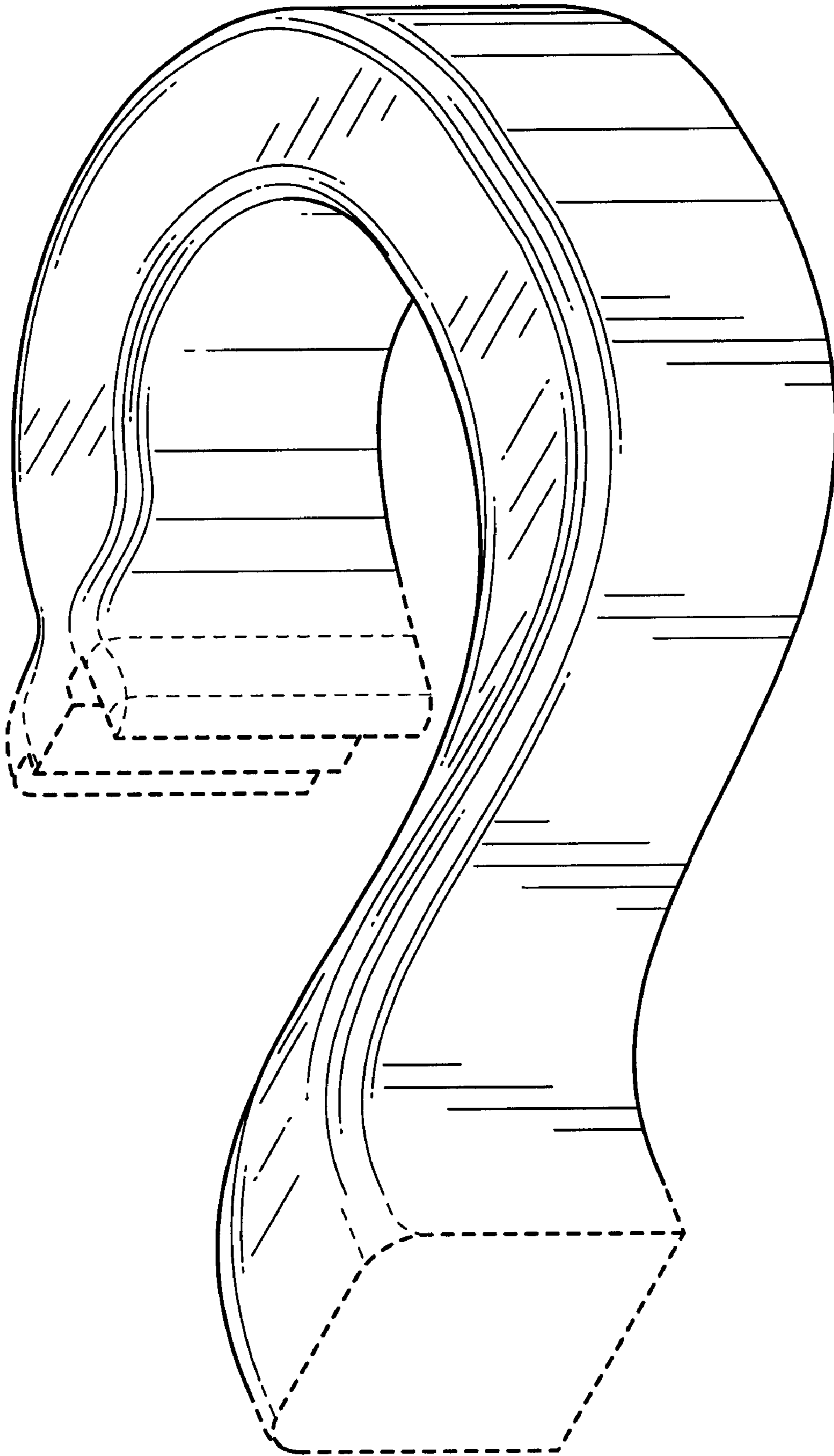


FIG. 1

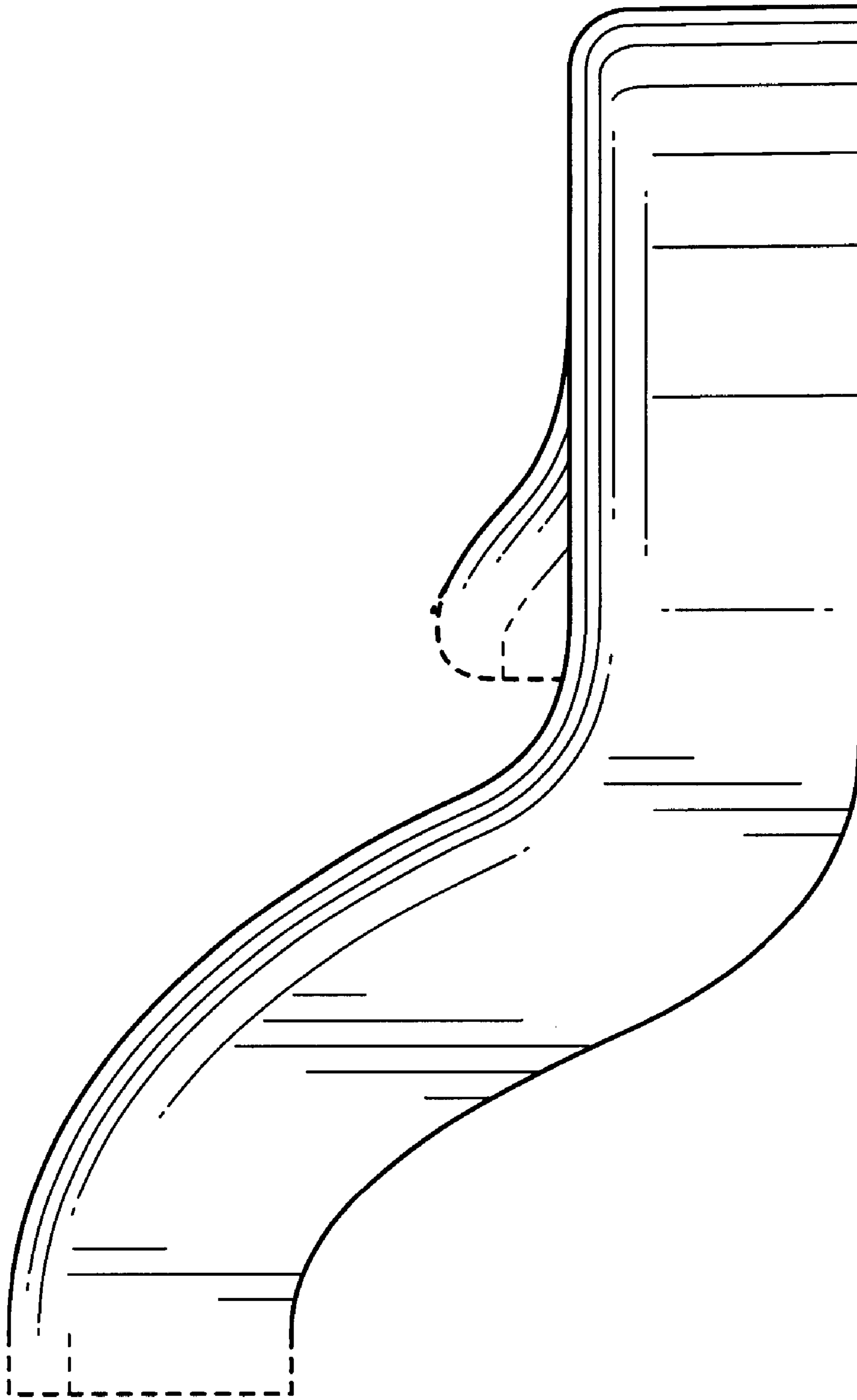


FIG. 2

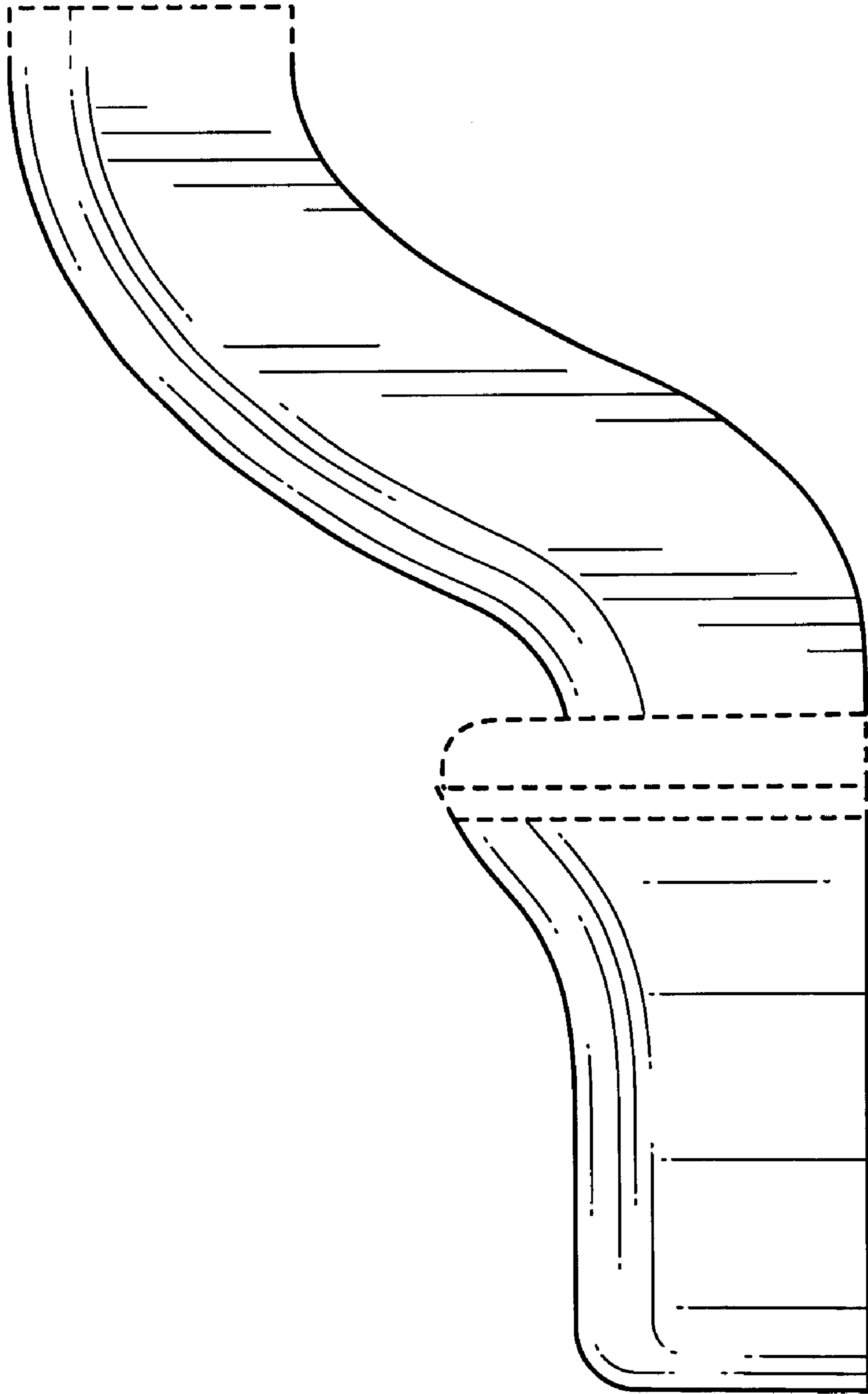


FIG. 3

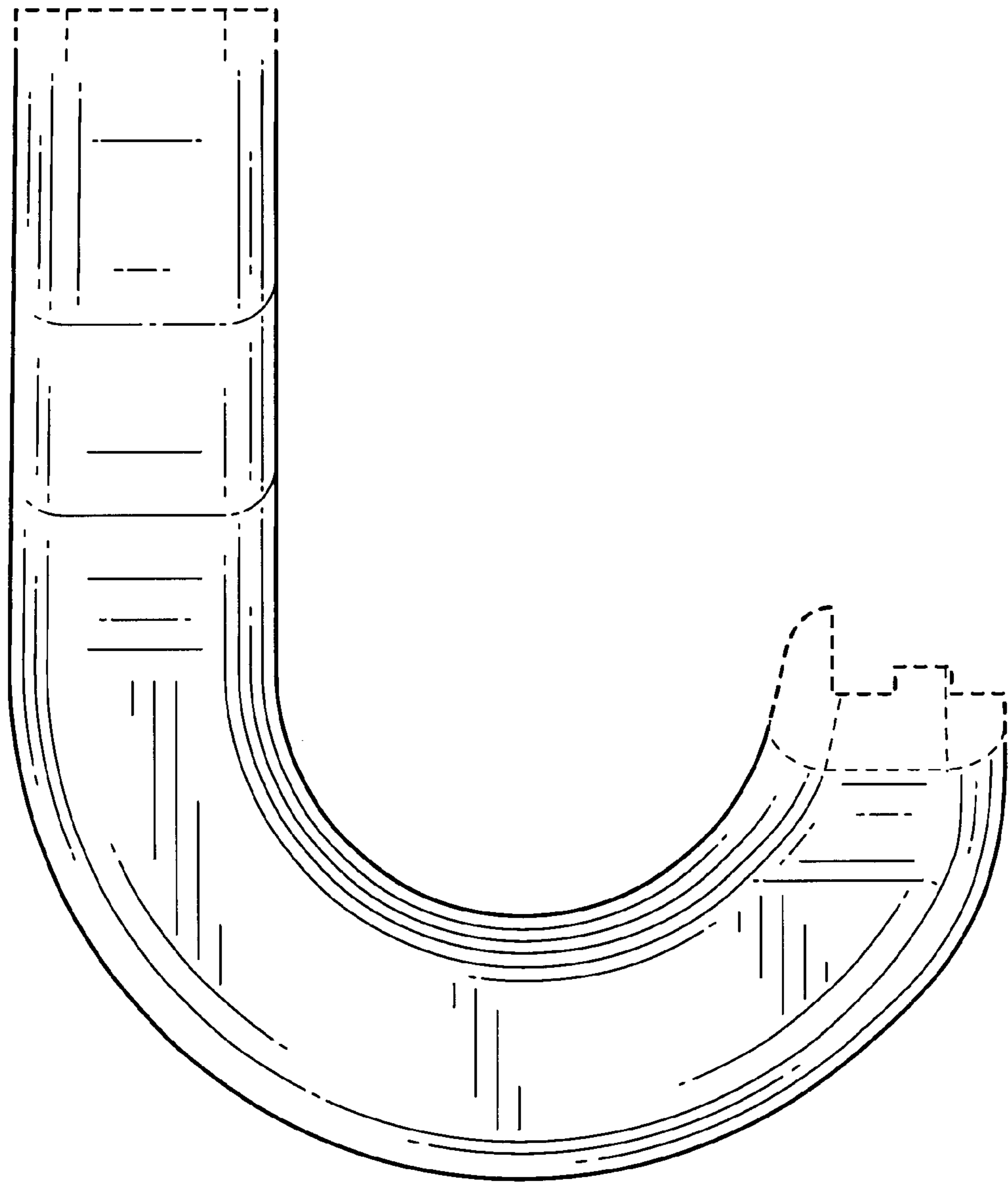


FIG. 4

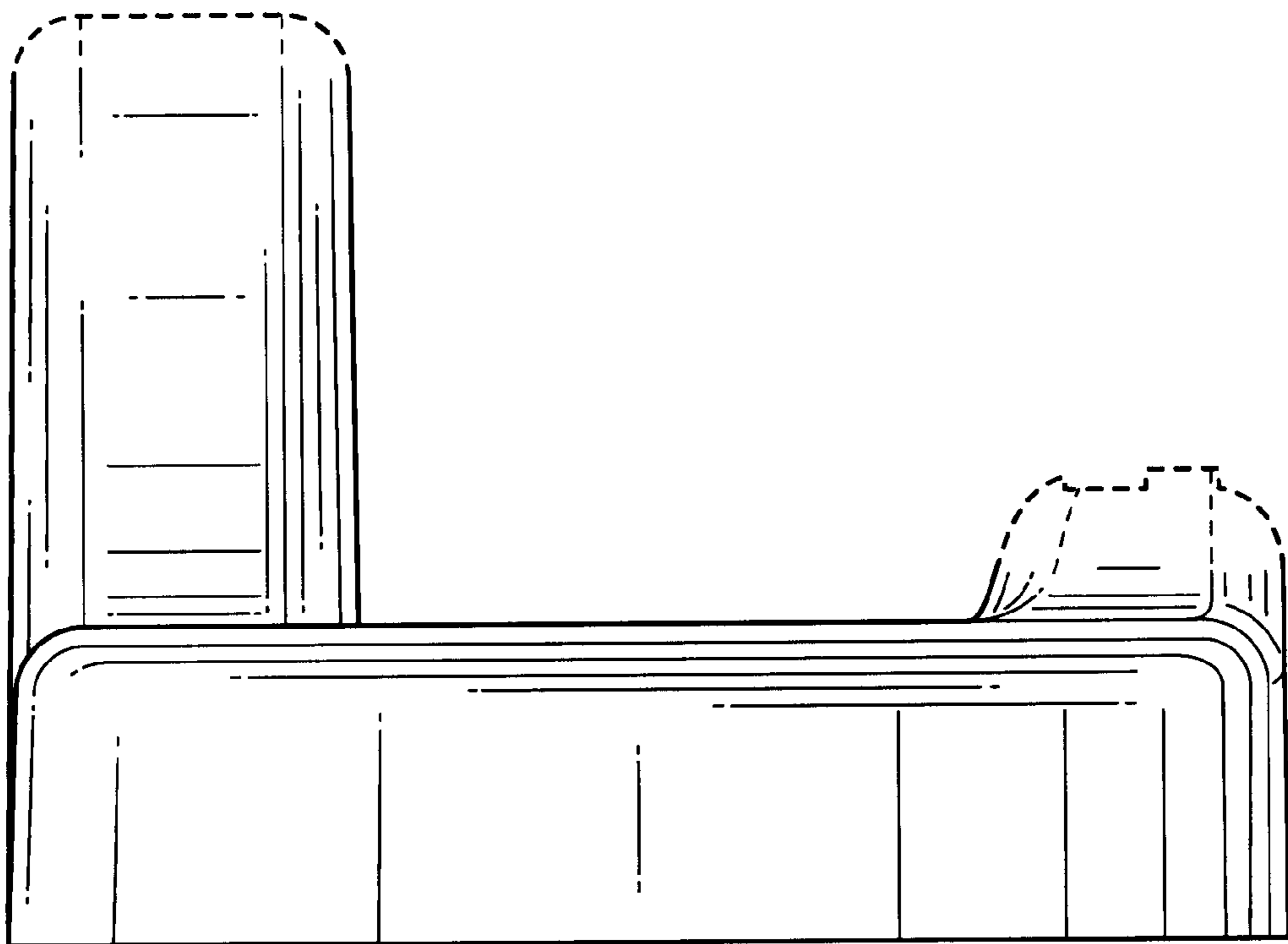


FIG. 5

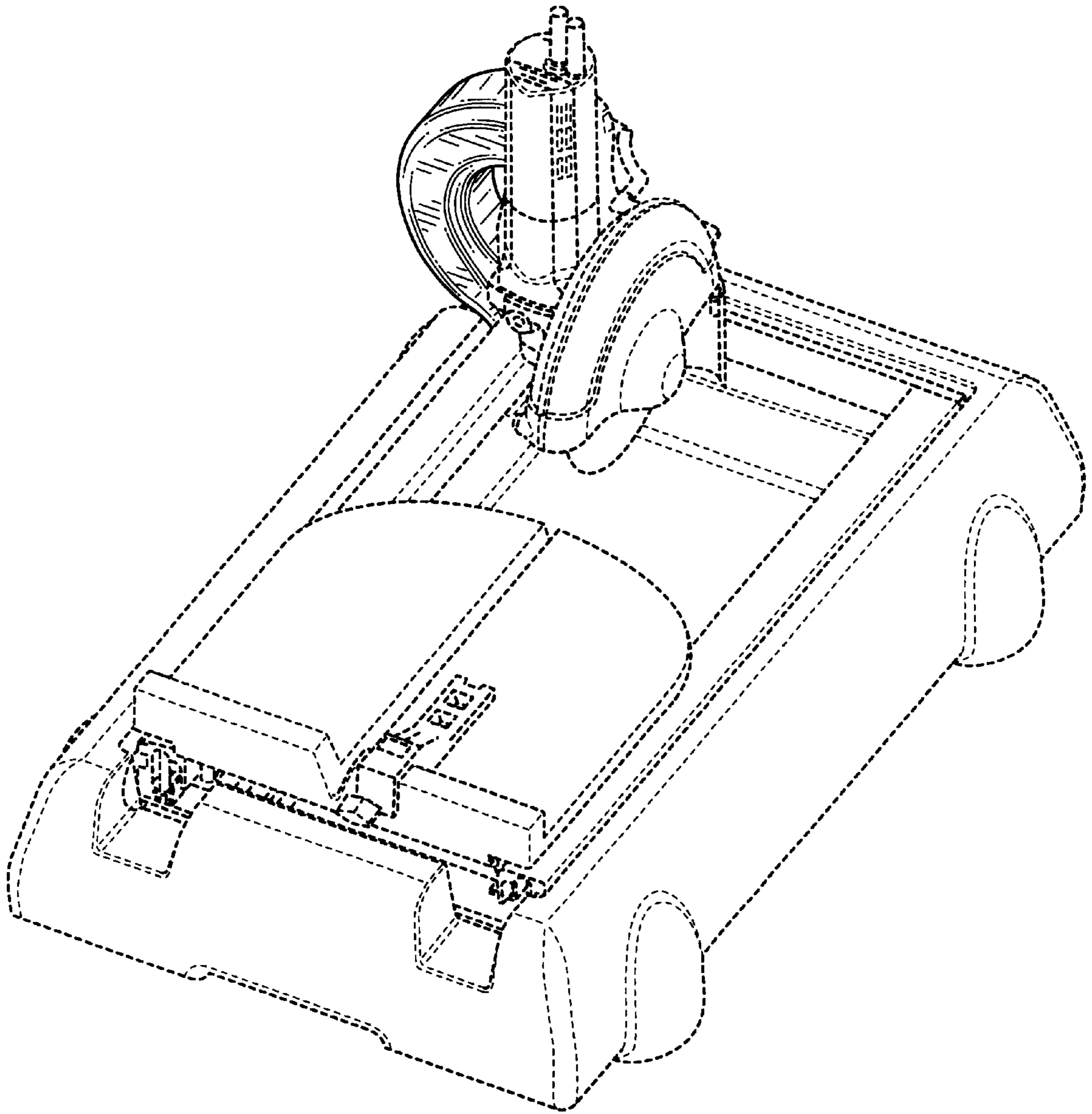


FIG. 6