



US00D453778S

(12) **United States Design Patent**
Young

(10) **Patent No.:** **US D453,778 S**

(45) **Date of Patent:** **** Feb. 19, 2002**

(54) **TABLE FOR A SCROLL SAW**

H1867 H 10/2000 Quiram

(75) Inventor: **Ronald E. Young**, Cheswick, PA (US)

OTHER PUBLICATIONS

(73) Assignee: **Delta International Machinery Corp.**,
Jackson, TN (US)

“Talon Power Tools Bench Top”, *Talon Power Tools Engineered Performance*, International Catalogue 98/99 Program, pp. 20, et al.

(**) Term: **14 Years**

“Scrollsaws”, *American Woodworker*, 1999 Tool Buyer’s Guide, pp. 136–138, 152.

(21) Appl. No.: **29/137,453**

* cited by examiner

(22) Filed: **Feb. 20, 2001**

Primary Examiner—Antoine Duval Davis

(51) **LOC (7) Cl.** **15-09**

(74) *Attorney, Agent, or Firm*—Kirkpatrick & Lockhart LLP

(52) **U.S. Cl.** **D15/133**

(58) **Field of Search** D15/133; 83/783–786

(57) **CLAIM**

(56) **References Cited**

The ornamental design for a table for a scroll saw, as shown and described.

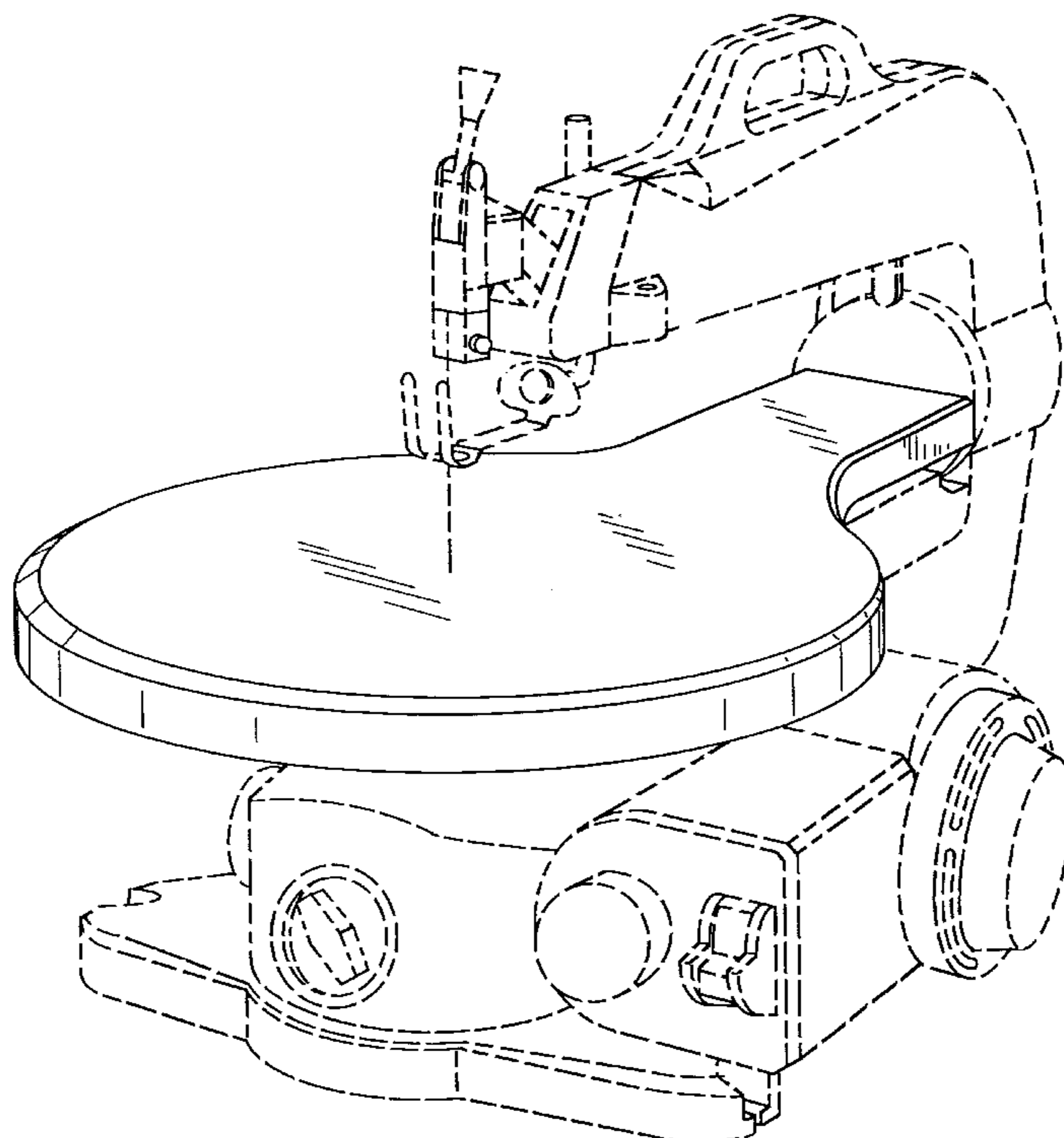
U.S. PATENT DOCUMENTS

DESCRIPTION

5,176,059 A	1/1993	Anderson	
5,301,579 A	4/1994	Shiotani et al.	
D395,323 S	6/1998	Welsh	
D395,324 S	6/1998	Welsh	
D396,050 S	7/1998	Welsh	
5,778,752 A *	7/1998	Chen	83/783
D397,124 S	8/1998	Welsh	
D397,343 S *	8/1998	Chen	D15/133
D402,671 S	12/1998	Welsh	
D402,673 S	12/1998	Welsh	
D407,422 S	3/1999	Welsh	
5,937,724 A	8/1999	O’Banion et al.	
D417,227 S *	11/1999	Lei	D15/133
6,044,743 A	4/2000	O’Banion et al.	
D424,076 S	5/2000	Dibbern et al.	
D426,558 S	6/2000	Welsh	
D429,260 S	8/2000	Ohi et al.	

FIG. 1 is a right and front side isometric view of our new design of a table for a scroll saw;
FIG. 2 is a rear and left side isometric view of the design of FIG. 1;
FIG. 3 is a front view of the design of FIG. 1;
FIG. 4 is a rear view of the design of FIG. 1;
FIG. 5 is a top view of the design of FIG. 1;
FIG. 6 is a left side view of the design of FIG. 1; and,
FIG. 7 is a right side view of the design of FIG. 1.
In the attached drawings, broken lines indicate an environment for the design and are not part of the design sought to be patented.

1 Claim, 7 Drawing Sheets



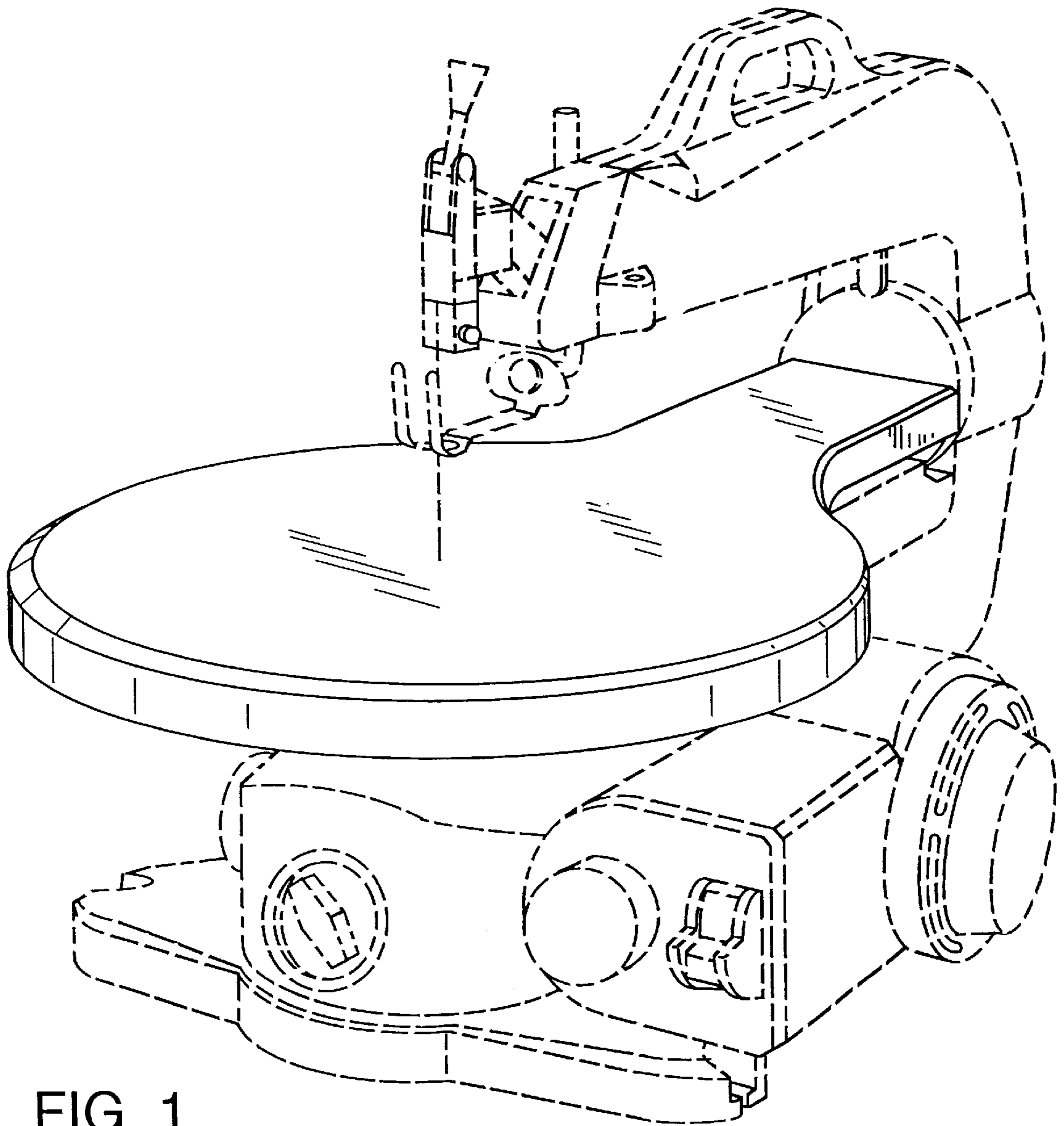


FIG. 1

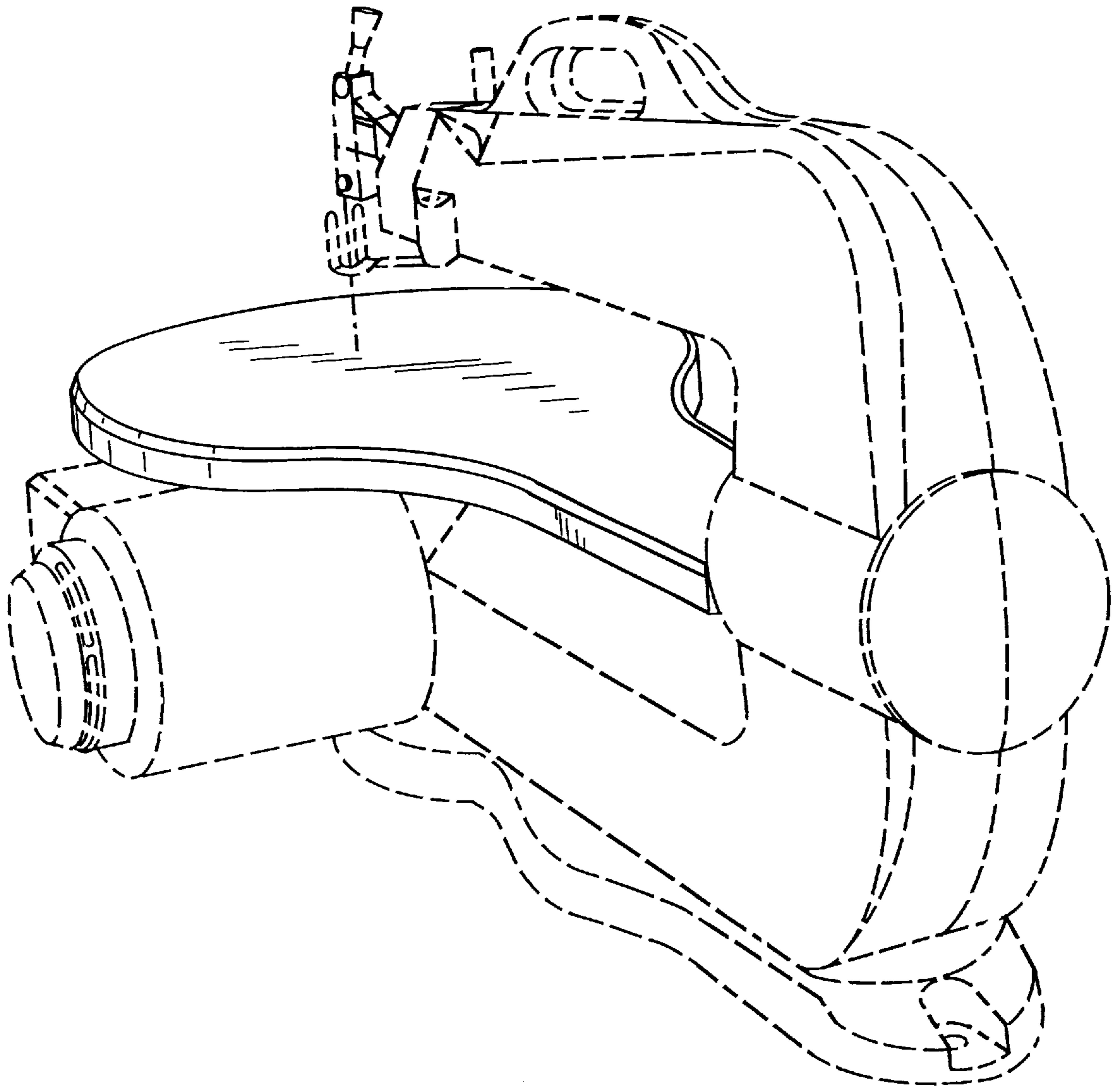


FIG. 2

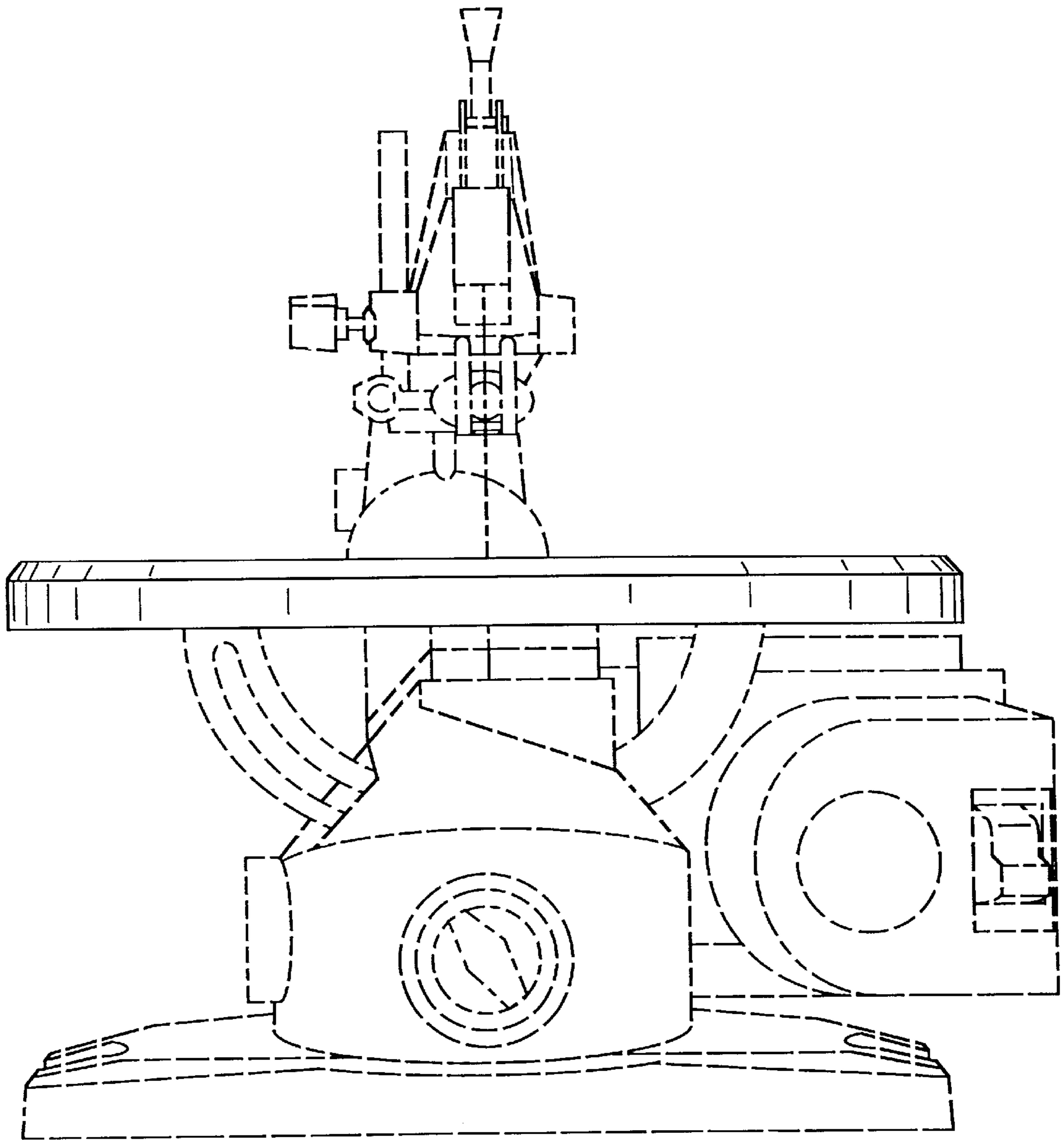


FIG. 3

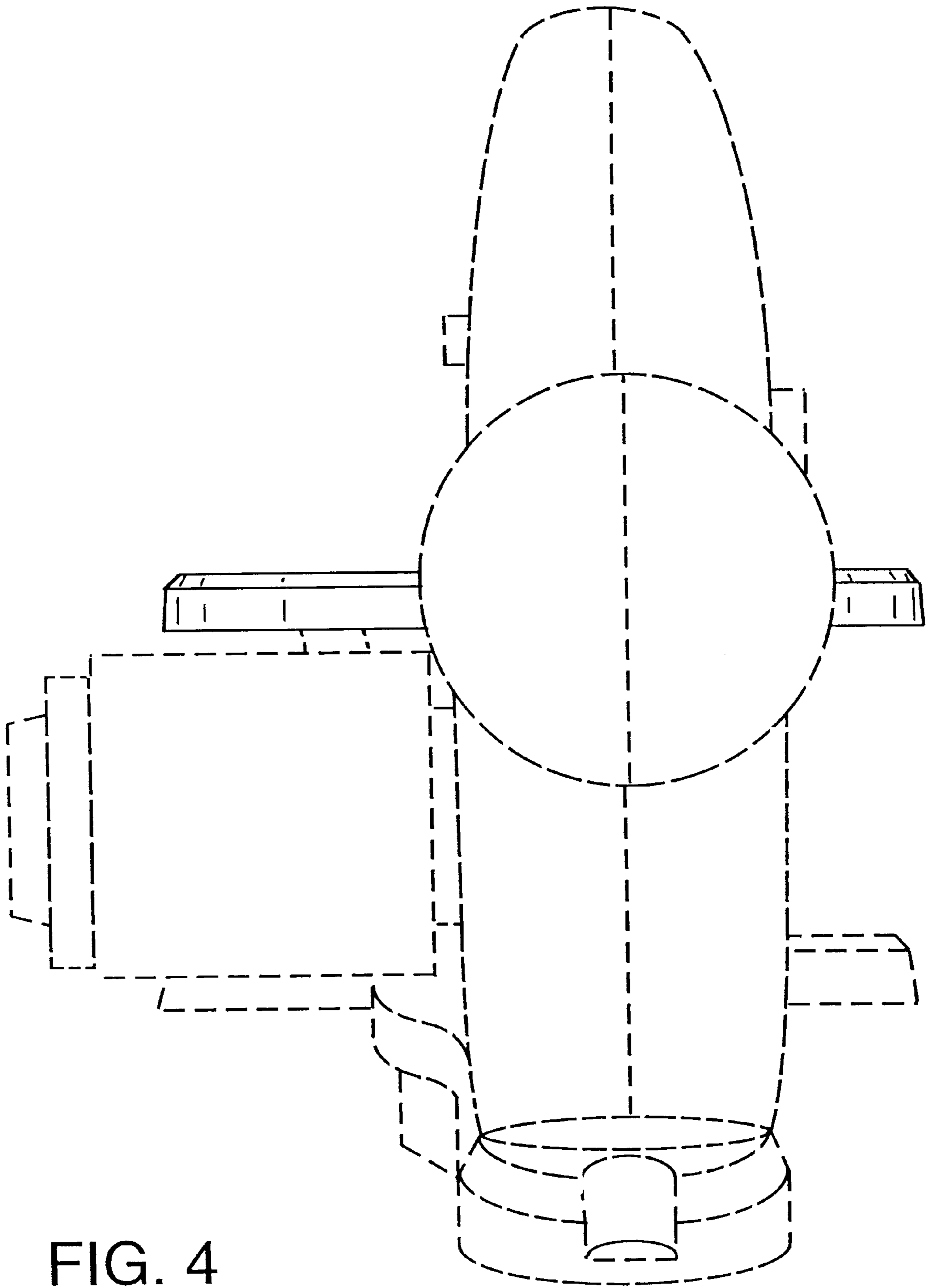


FIG. 4

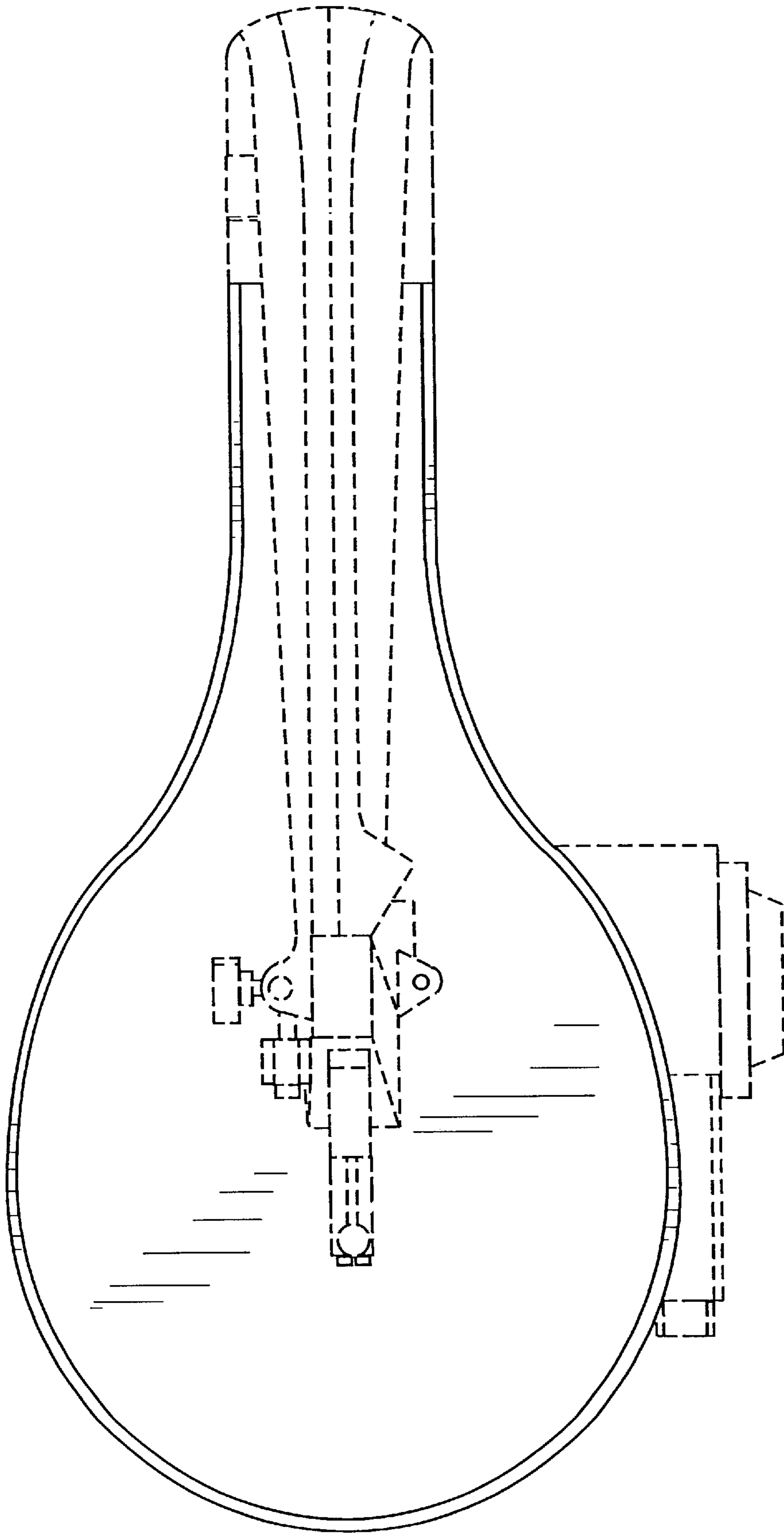


FIG. 5

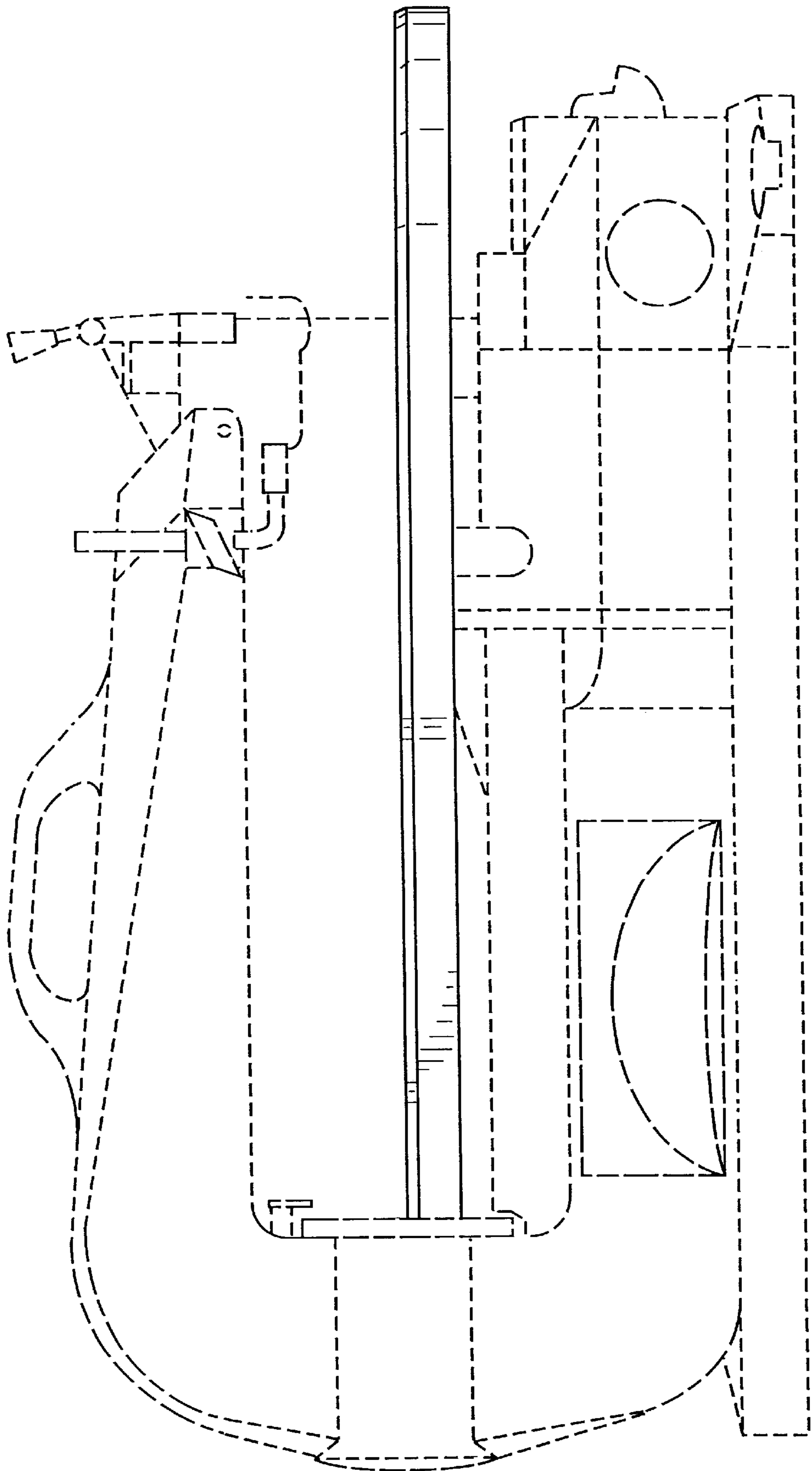


FIG. 6

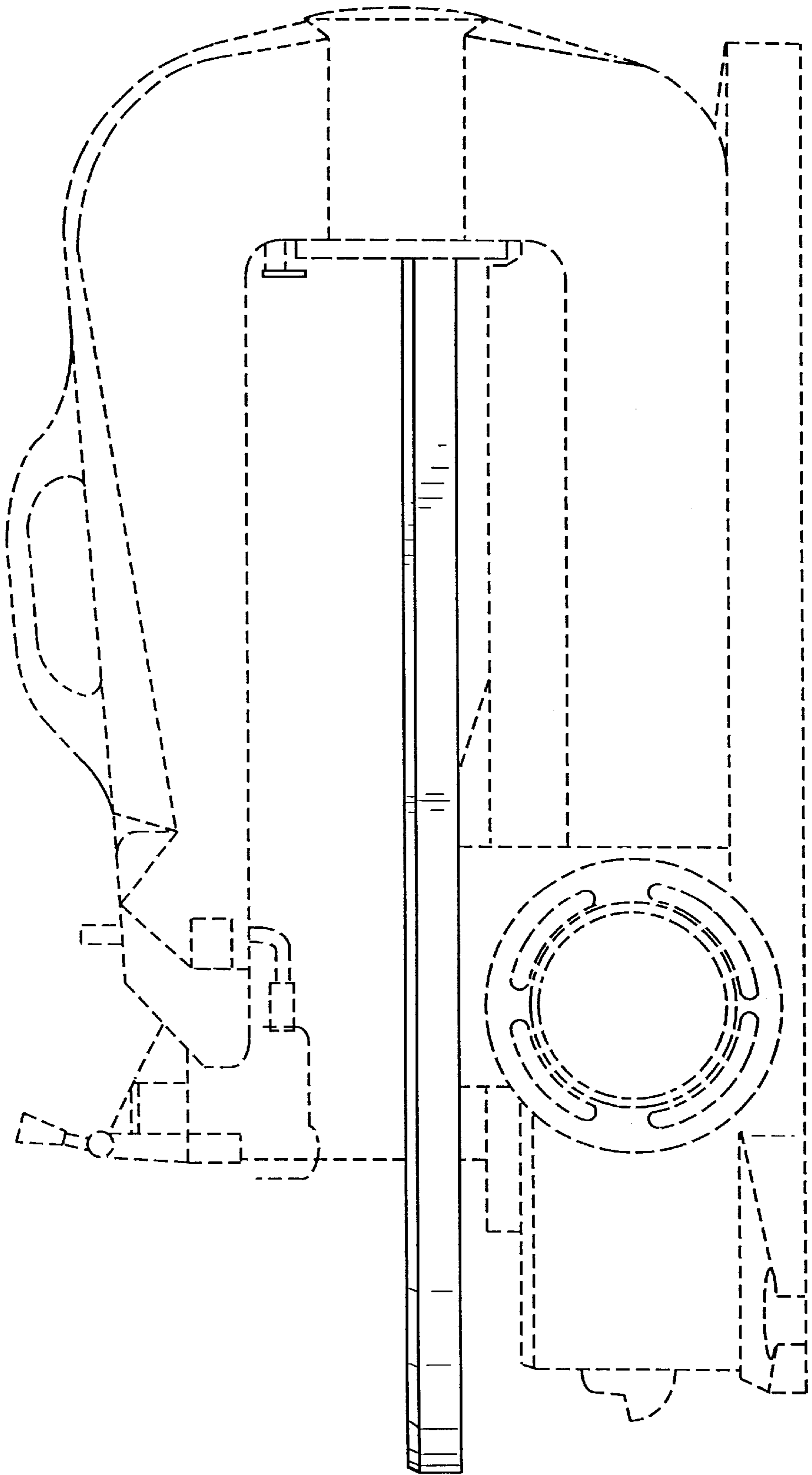


FIG. 7