



US00D453775S

(12) **United States Design Patent**  
**Chou**

(10) **Patent No.:** **US D453,775 S**

(45) **Date of Patent:** **\*\* Feb. 19, 2002**

(54) **INFLATOR AND DEFLATOR AIR COMPRESSOR**

D391,969 S \* 3/1998 Poon ..... D15/7  
D420,011 S \* 2/2000 Tsai ..... D15/7  
D435,049 S \* 12/2000 Tsai ..... D15/7  
D445,804 S \* 7/2001 Tsai ..... D15/7

(76) Inventor: **Wen-San Chou**, No.1-25, Kang Wei Village, An-Din Hsiang, Tainan Hsien (TW)

\* cited by examiner

(\*\*) Term: **14 Years**

*Primary Examiner*—Ralf Seifert

(74) *Attorney, Agent, or Firm*—Bacon & Thomas, PLLC

(21) Appl. No.: **29/136,071**

(57) **CLAIM**

(22) Filed: **Jan. 25, 2001**

The ornamental design for a inflator and deflator air compressor, as shown.

(51) **LOC (7) Cl.** ..... **15-02**

**DESCRIPTION**

(52) **U.S. Cl.** ..... **D15/7**

(58) **Field of Search** ..... D15/5-9; 222/61, 222/208; 285/8, 24, 156, 148.13, 41, 61, 155, 292; 137/601; 138/33; D23/259; 417/40, 234, 360

FIG. 1 is a perspective view of a inflator and deflator air compressor showing my new design:

FIG. 2 is a front side elevational view thereof;

FIG. 3 is a rear side elevational view thereof;

FIG. 4 is a left view thereof;

FIG. 5 is a right view thereof;

FIG. 6 is a top plan view thereof; and,

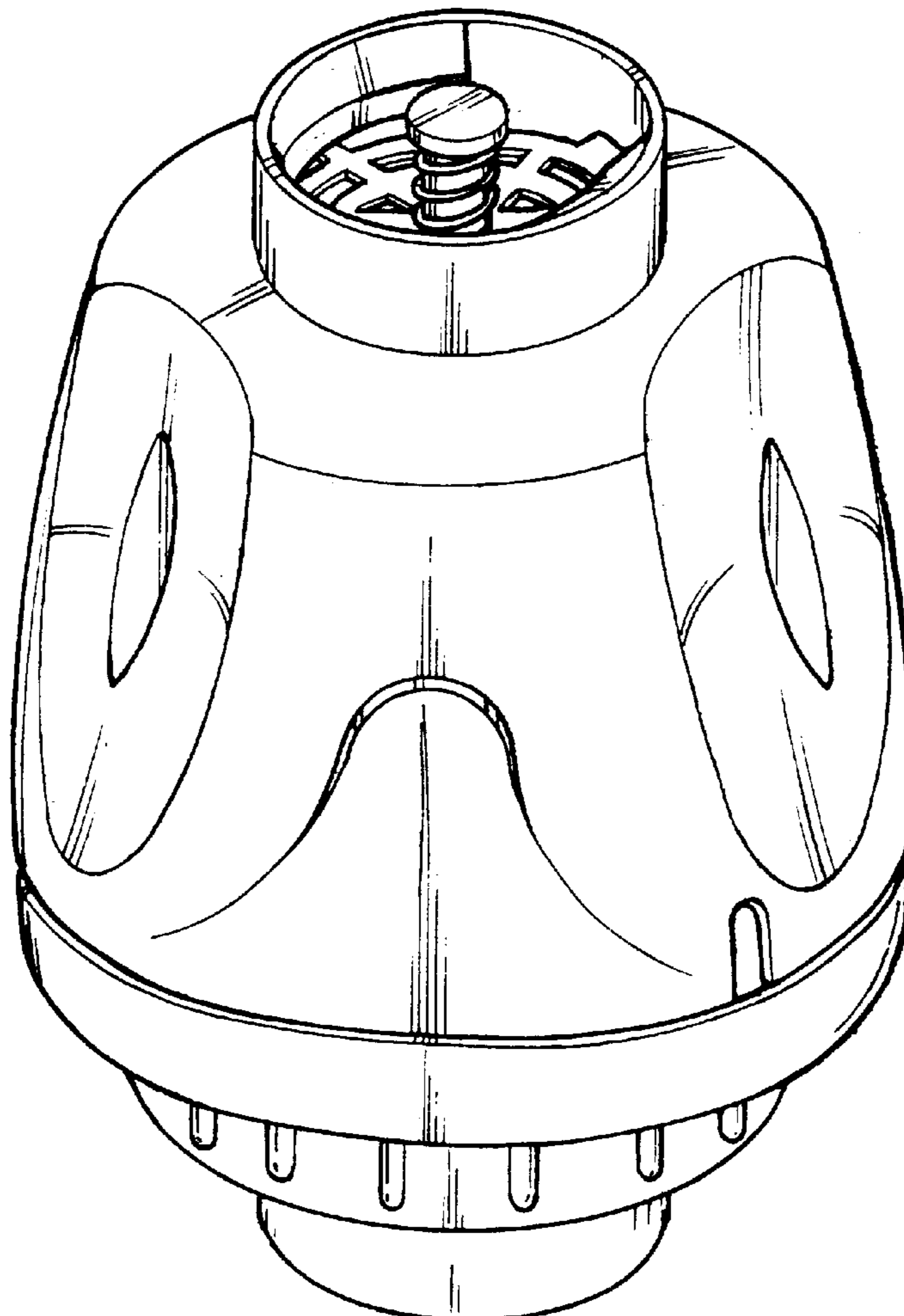
FIG. 7 is a bottom plan view thereof.

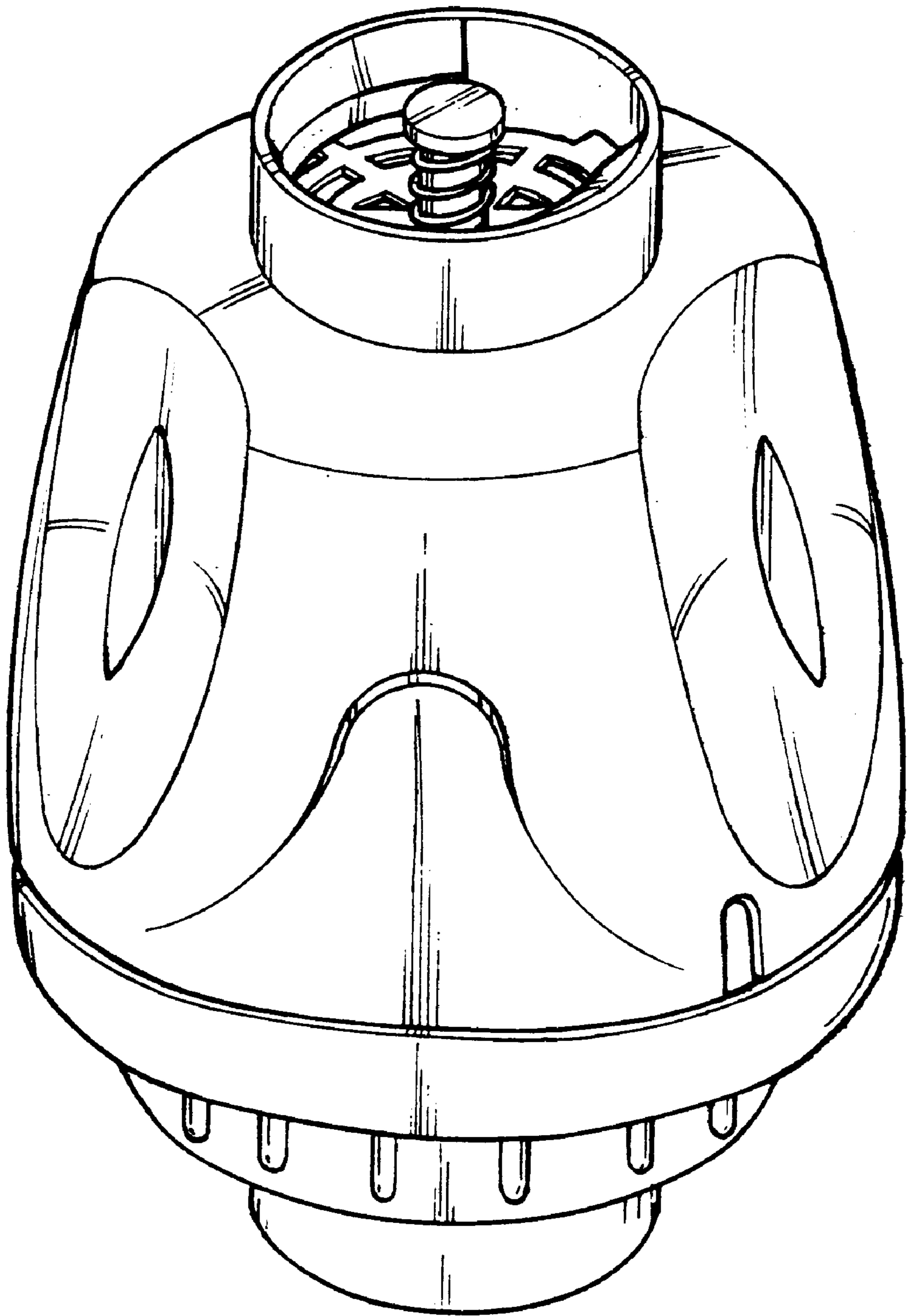
(56) **References Cited**

**U.S. PATENT DOCUMENTS**

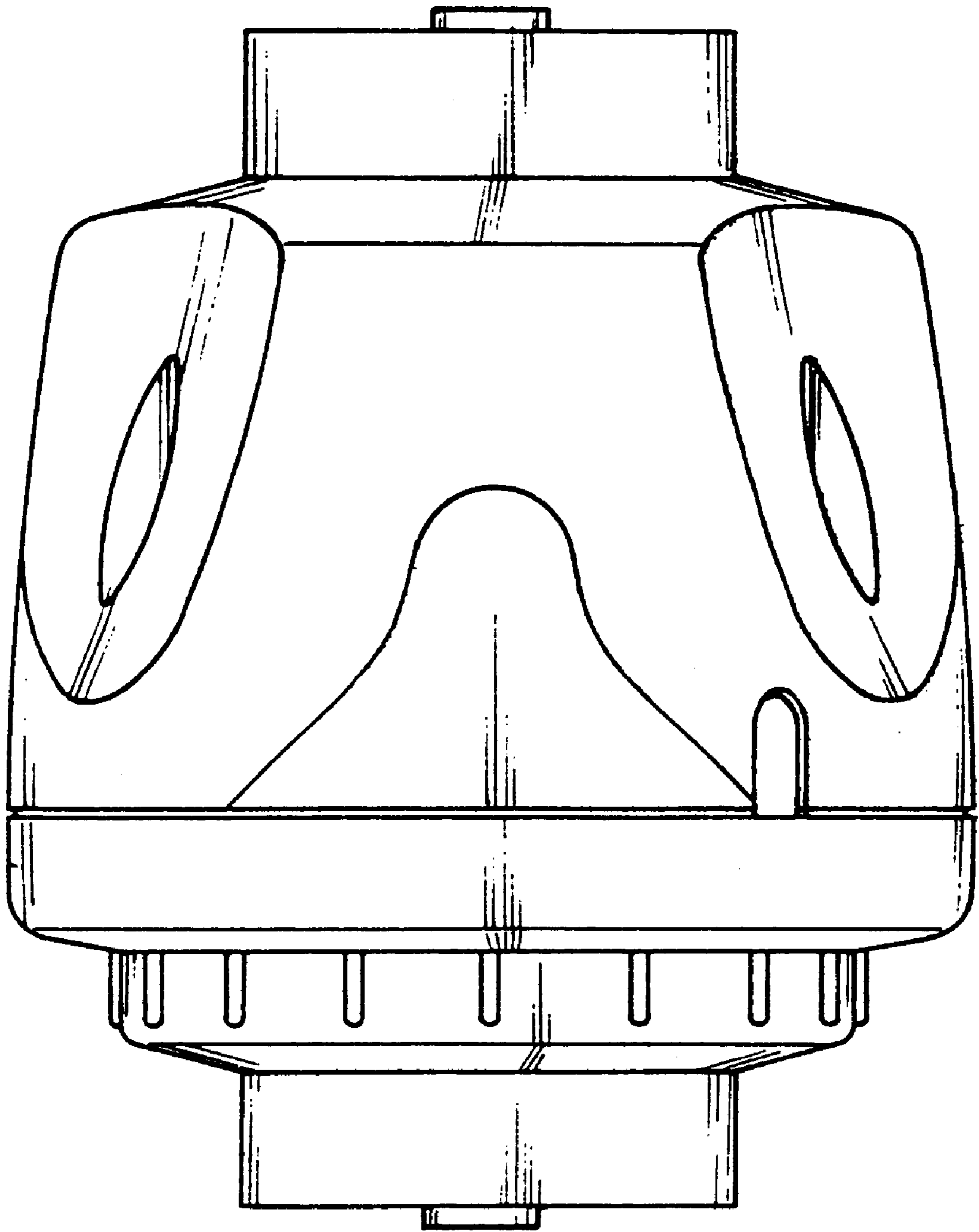
3,050,076 A \* 8/1962 Fay ..... 137/601  
D339,143 S \* 9/1993 Whitley, II ..... D15/7

**1 Claim, 7 Drawing Sheets**

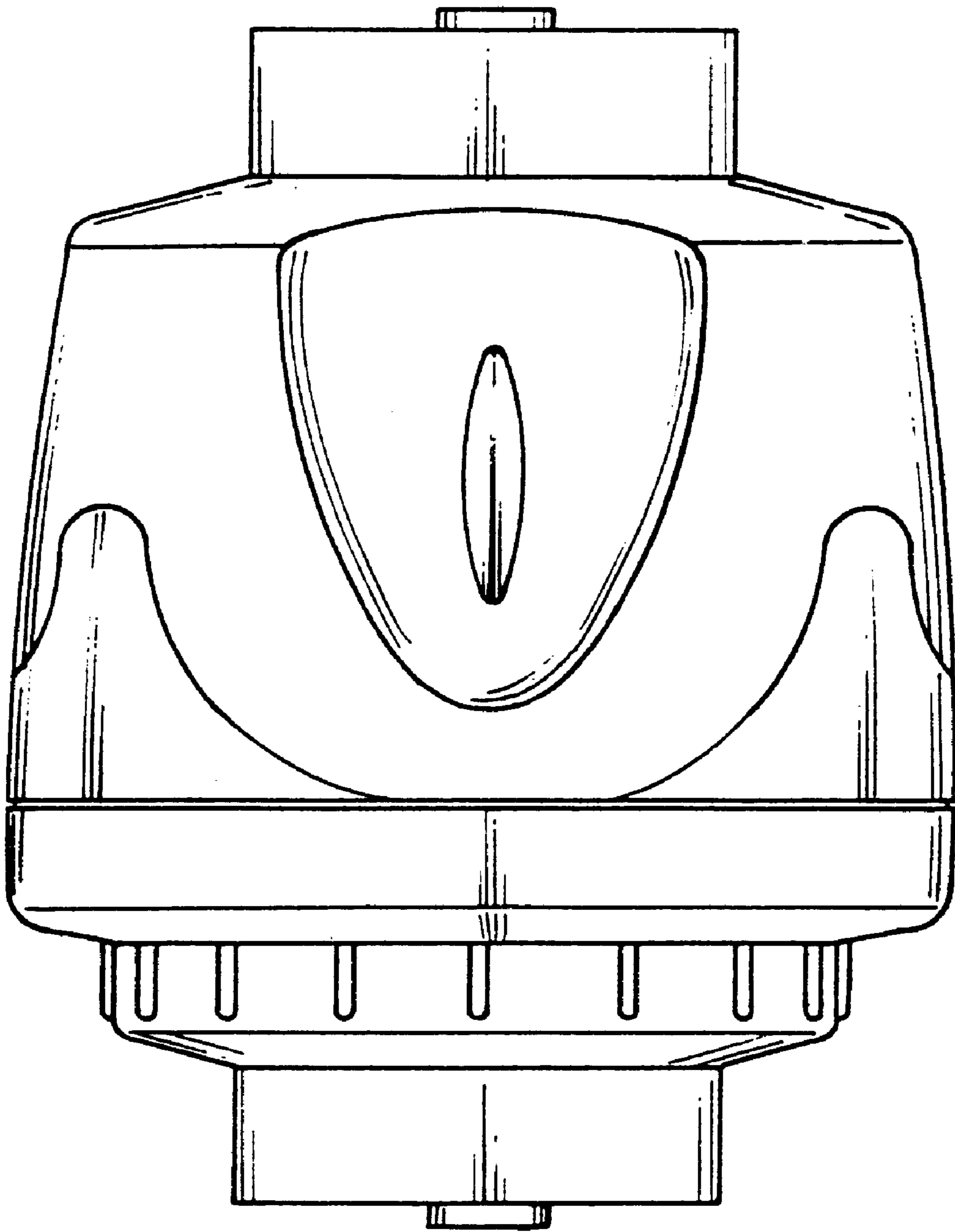




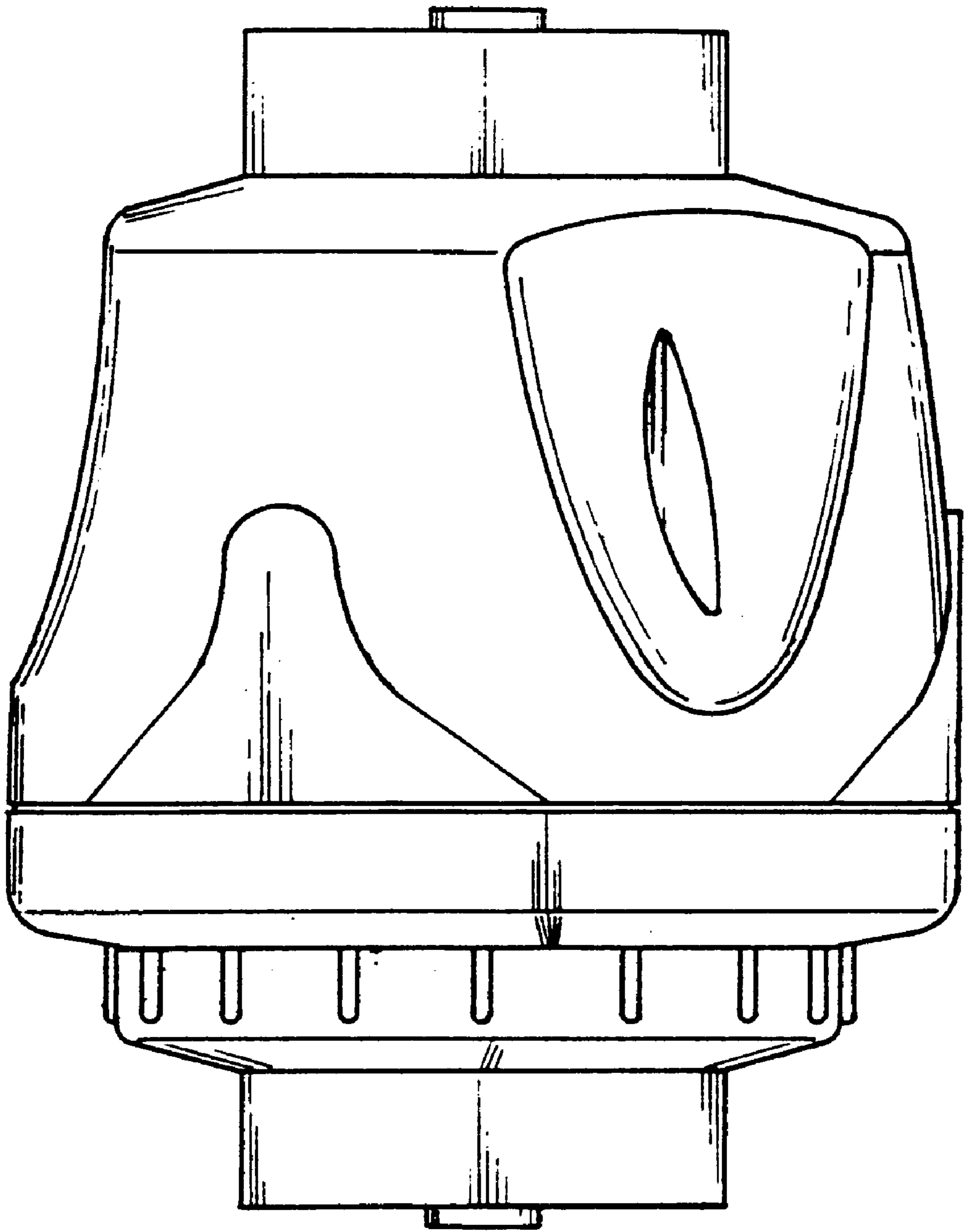
**FIG. 1**



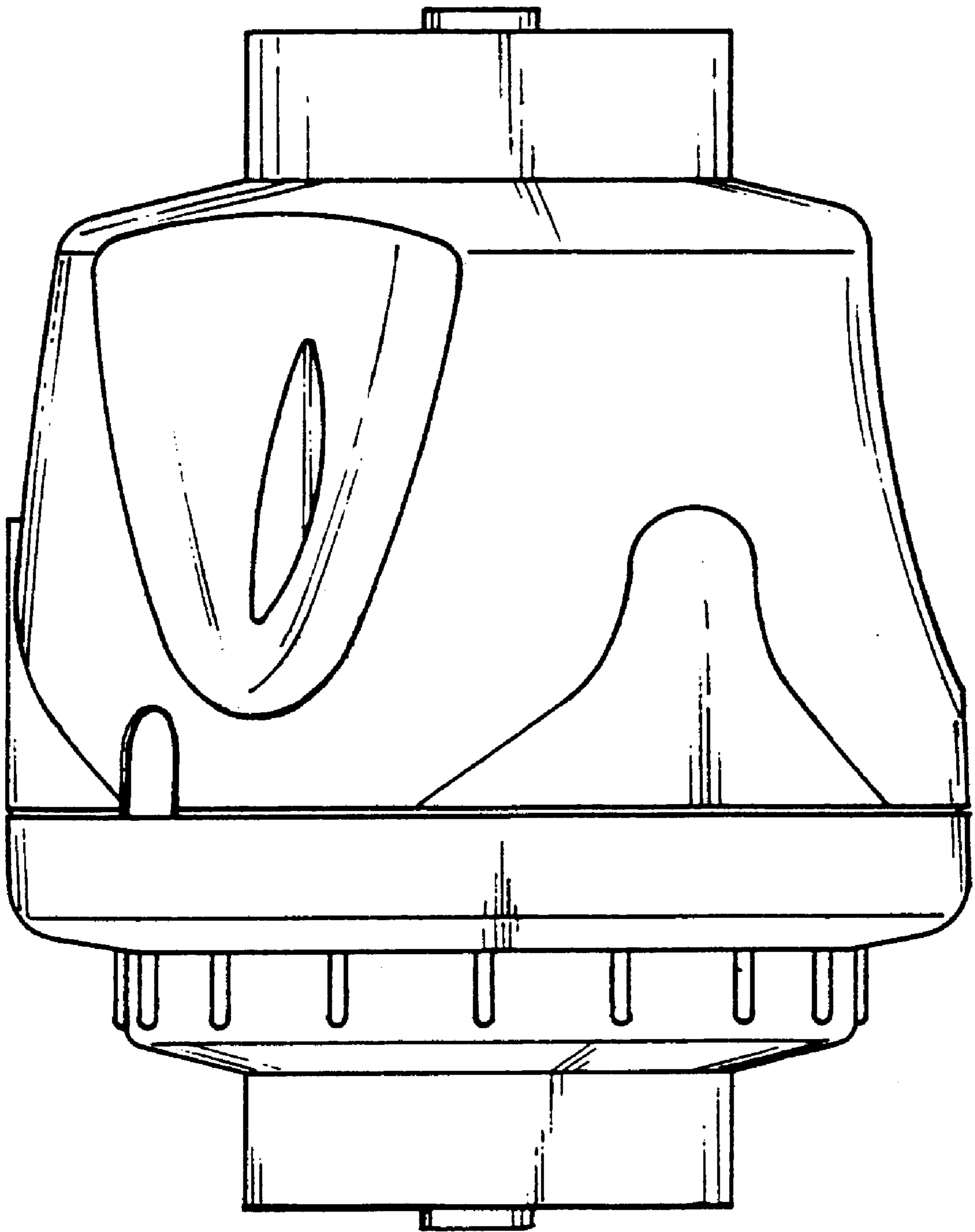
**FIG. 2**



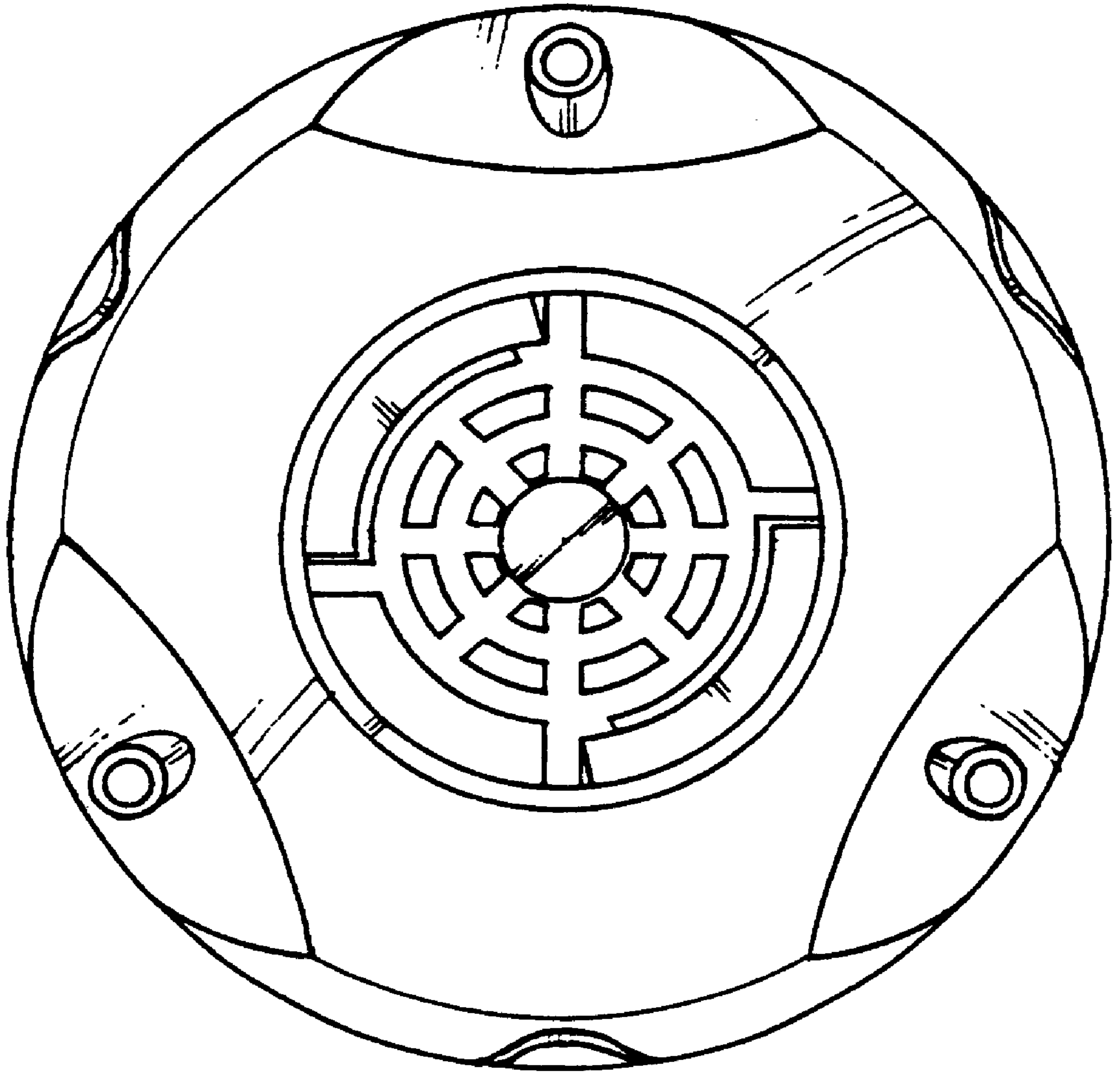
**FIG. 3**



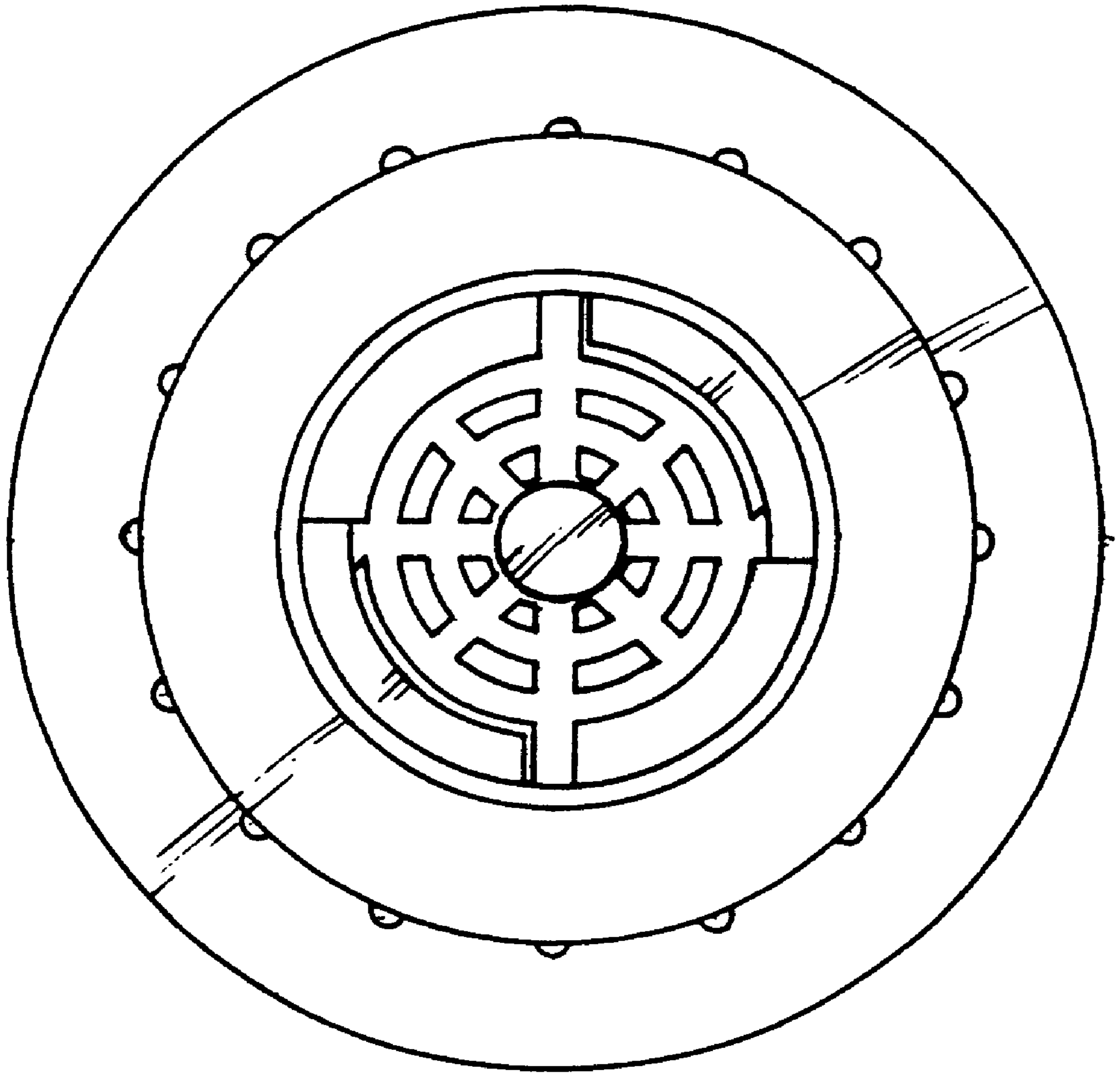
**FIG. 4**



**FIG. 5**



**FIG. 6**



**FIG. 7**