



US00D453765S

(12) **United States Design Patent**
Lewtan

(10) **Patent No.:** **US D453,765 S**

(45) **Date of Patent:** **** Feb. 19, 2002**

- (54) **MOUSE PAD**
- (75) Inventor: **Marvin Lewtan**, Hartford, CT (US)
- (73) Assignee: **Lewtan Industries Corporation**,
Hartford, CT (US)
- (**) Term: **14 Years**
- (21) Appl. No.: **29/128,163**
- (22) Filed: **Aug. 21, 2000**
- (51) **LOC (7) Cl.** **14-02**
- (52) **U.S. Cl.** **D14/459; D14/458**
- (58) **Field of Search** D14/458, 459,
D14/460, 455, 456, 457; D6/582-594, 601;
248/118.1, 346.01, 917-924, 118.3, 118.5;
400/689-93, 715; 428/85, 90, 95, 96, 318.6,
319.3; 345/156-167; D21/809

D347,422 S	5/1994	Taslitz	D14/461
D355,647 S	2/1995	Gresko	D14/114
D370,474 S	6/1996	Kirchhoff et al.	D14/114
D372,903 S	8/1996	Juster	D14/114
D408,388 S	* 4/1999	Wiggins	D14/455

* cited by examiner

Primary Examiner—Kay H. Chin
(74) *Attorney, Agent, or Firm*—Greenblum & Bernstein,
P.L.C.

(57) **CLAIM**

I claim the ornamental design for a mouse pad, as shown and described.

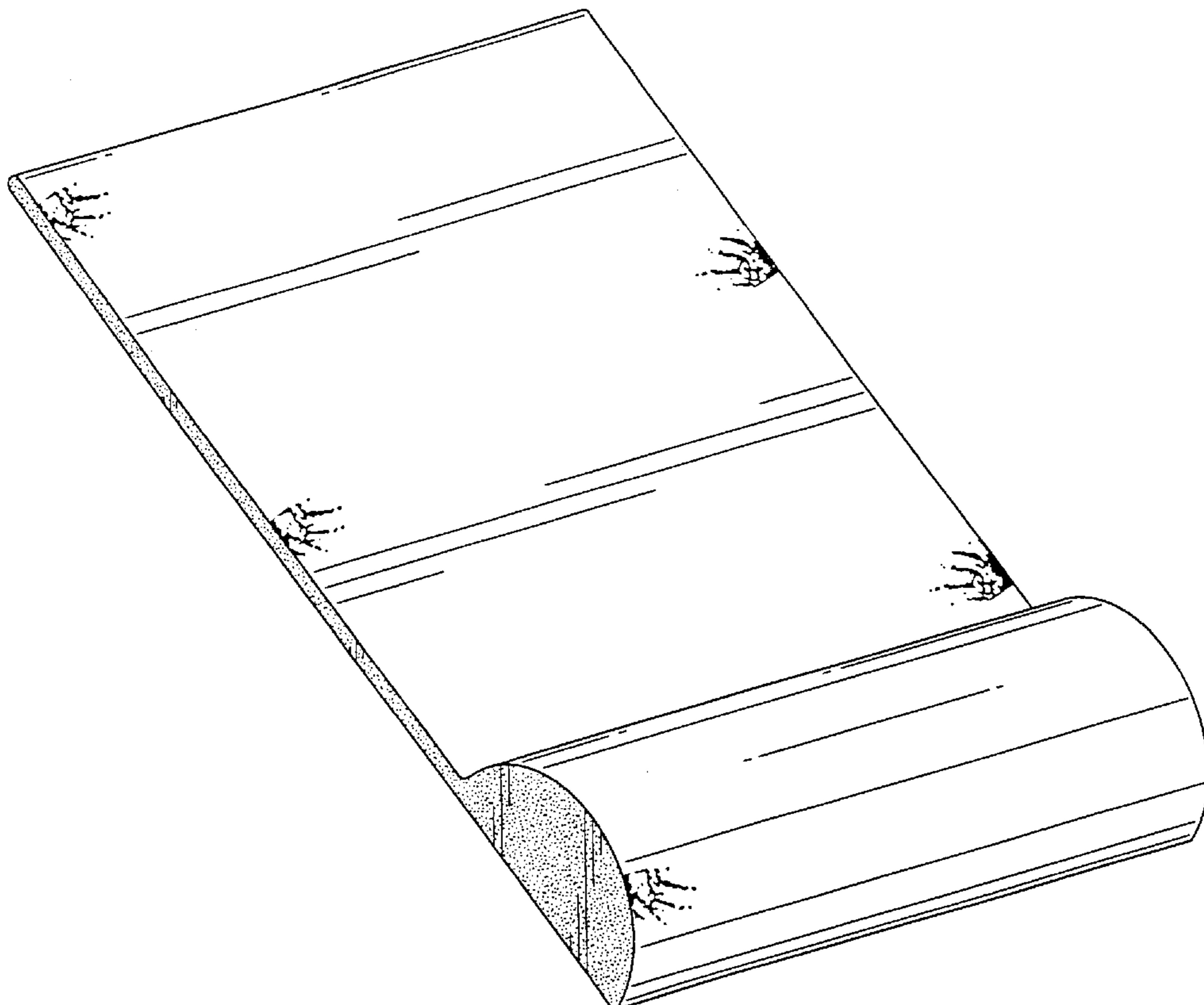
DESCRIPTION

FIG. 1 illustrates, in a front and right perspective view, a mouse pad according to my new design;
FIG. 2 illustrates a top view thereof;
FIG. 3 illustrates a right side view thereof;
FIG. 4 illustrates a left side view thereof;
FIG. 5 illustrates a rear end view thereof;
FIG. 6 illustrates a front end view thereof; and,
FIG. 7 illustrates an enlarged, partial cut-away, view of the upper right corner of FIG. 1, highlighting a fabric covering that is located on top and end surfaces, and a compressible foam that is exposed on sides of the mouse pad according to my design.

(56) **References Cited**
U.S. PATENT DOCUMENTS

D209,118 S	* 10/1967	Grube	D24/206
D306,473 S	* 3/1990	Scheurer	D21/237
D309,169 S	* 7/1990	Scheurer	D21/237
5,131,614 A	7/1992	Garcia et al.	248/118
D328,598 S	8/1992	Massey	D14/114
5,228,655 A	7/1993	Garcia et al.	248/118
D338,195 S	8/1993	Sugerman	D14/114
D342,243 S	12/1993	Land	D14/114
D343,821 S	2/1994	Bush et al.	D12/217

1 Claim, 5 Drawing Sheets



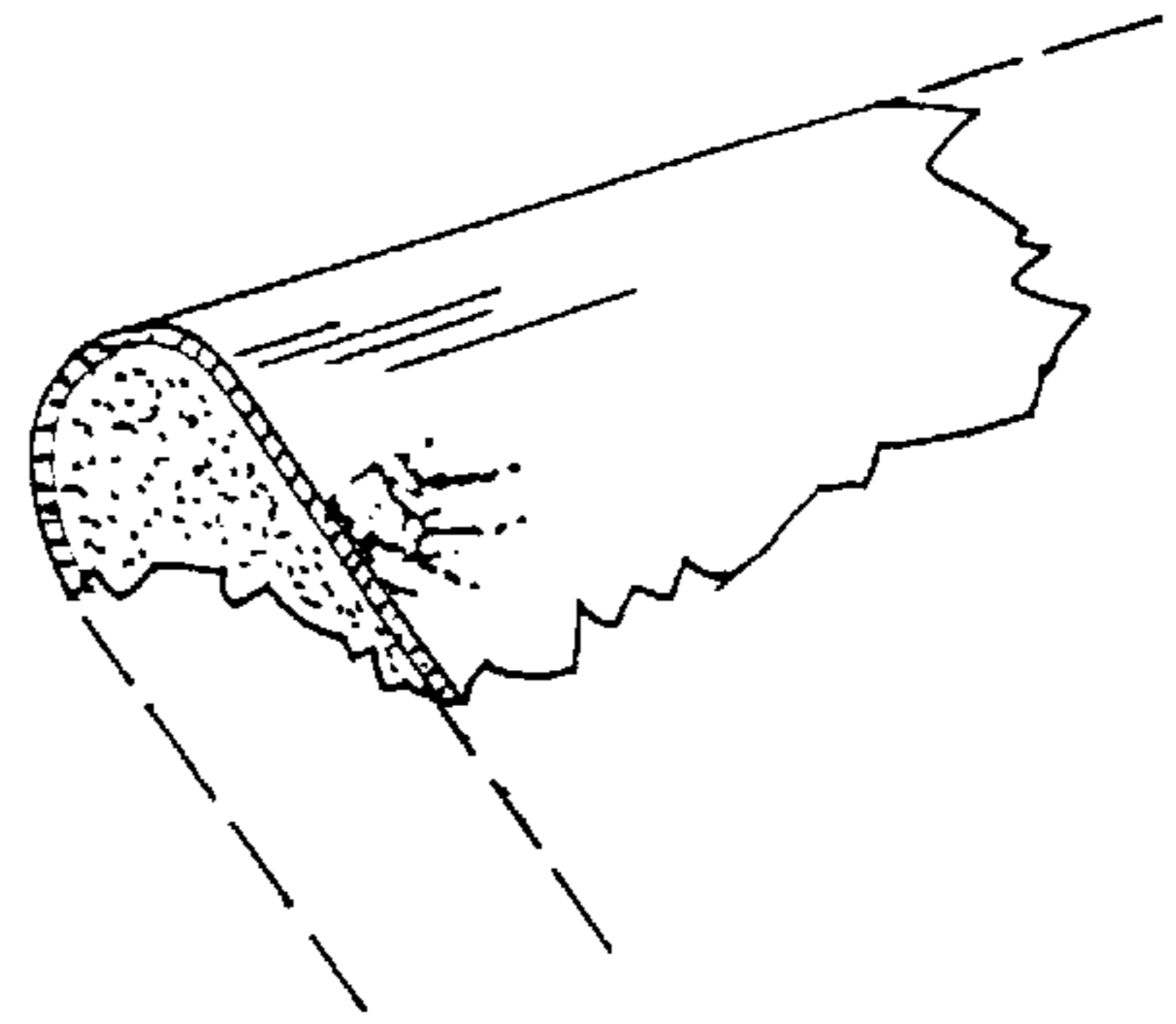


FIG. 7

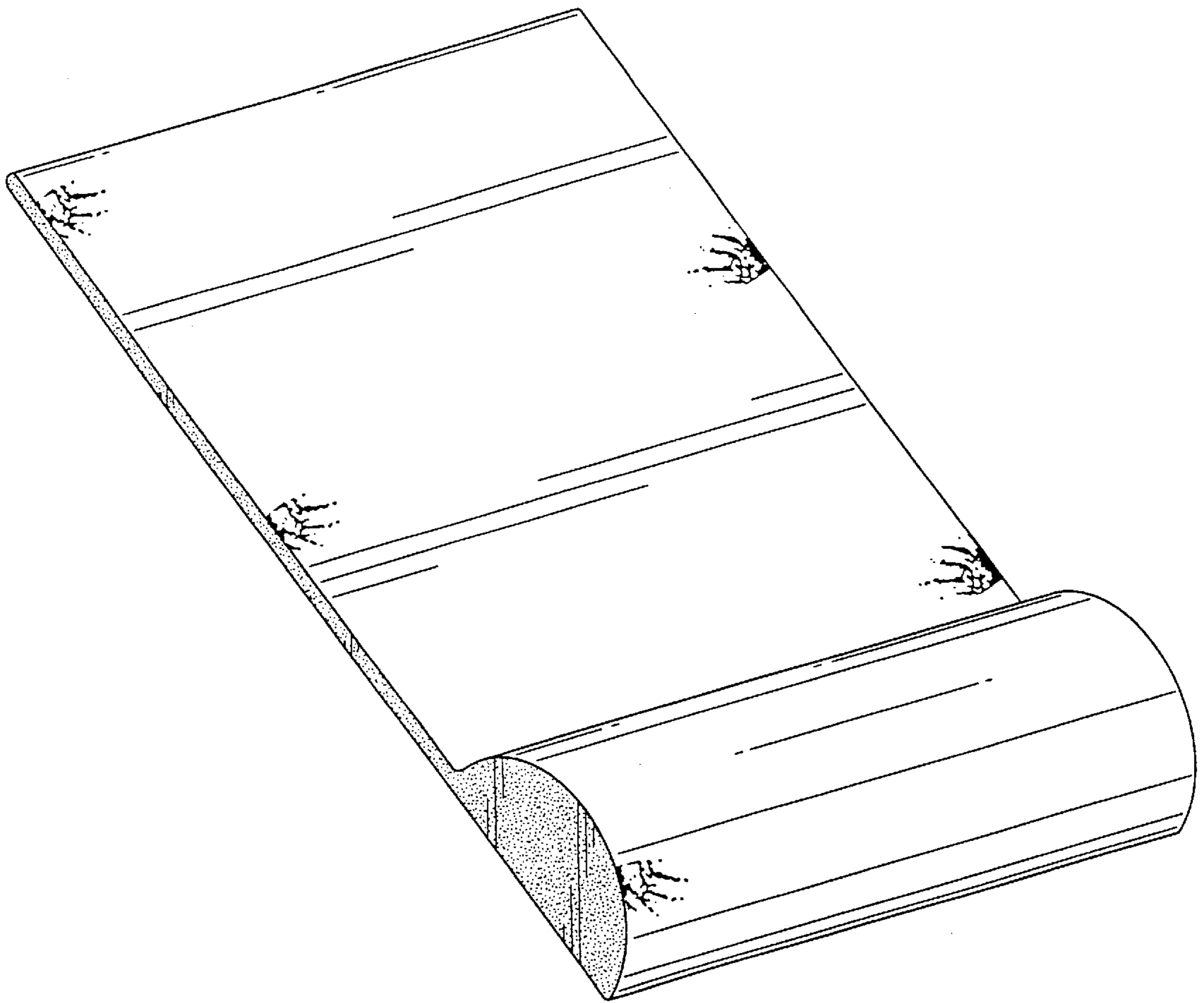


FIG. 1

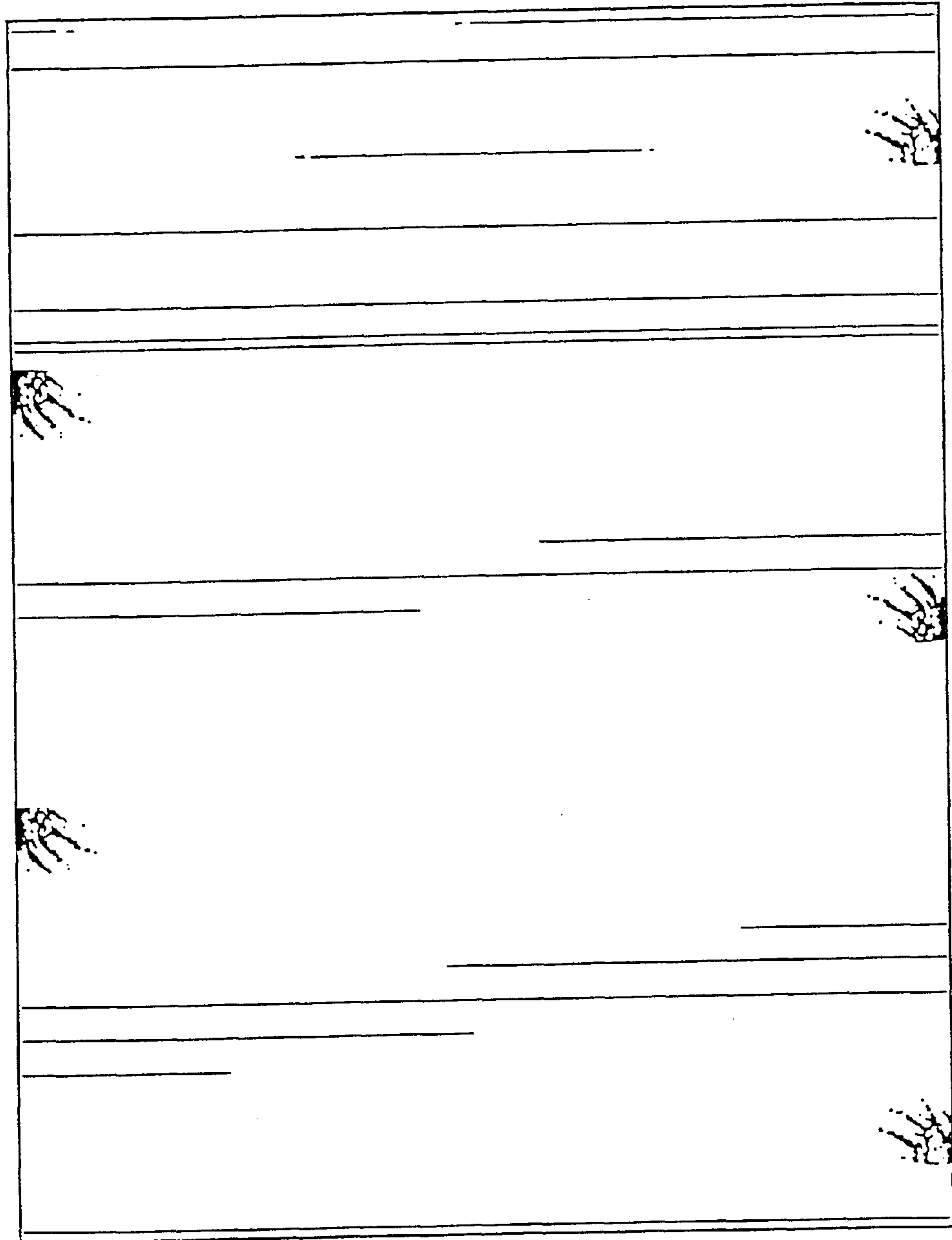


FIG. 2

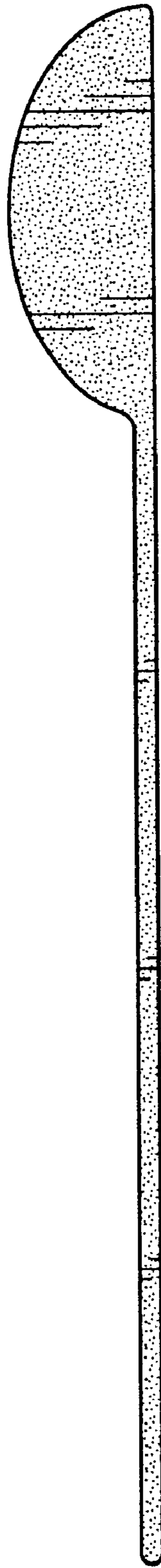


FIG. 3

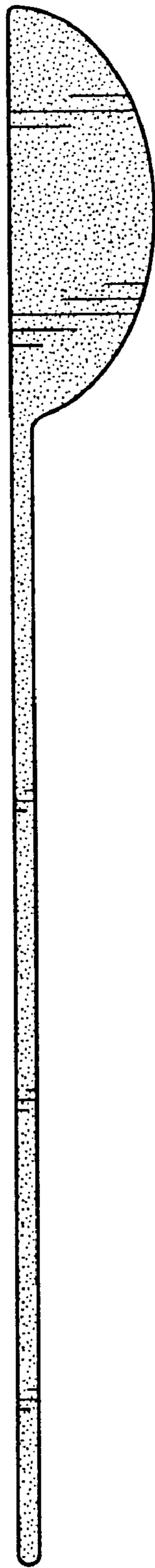


FIG. 4

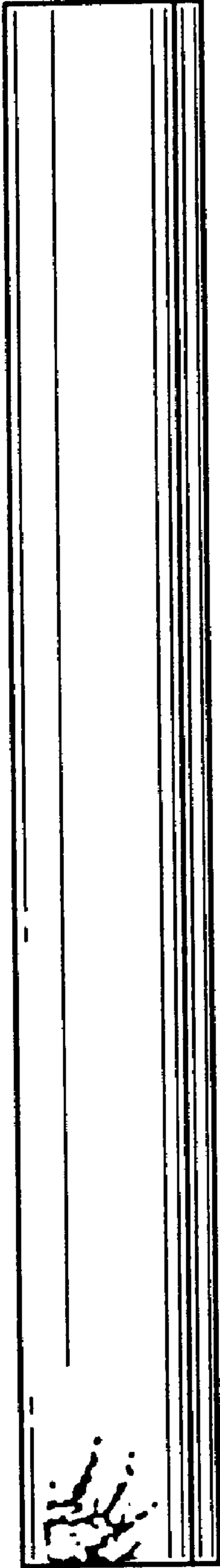


FIG. 5

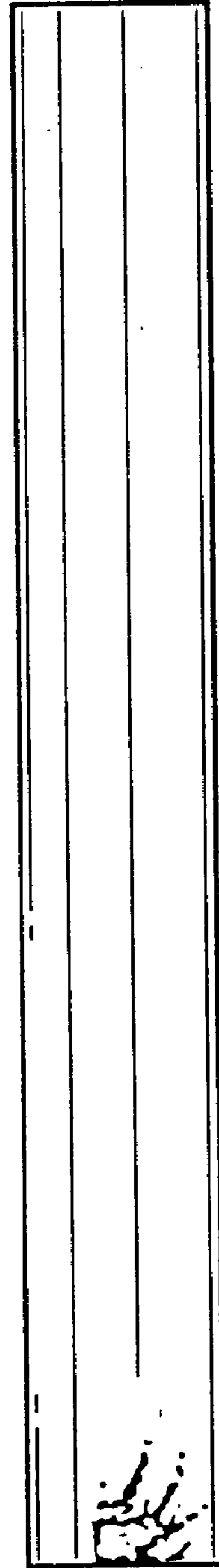


FIG. 6