



US00D453764S

(12) **United States Design Patent**  
**Linyear et al.**

(10) **Patent No.:** **US D453,764 S**

(45) **Date of Patent:** **\*\* Feb. 19, 2002**

(54) **KEYBOARD SHIELD AND KEYBOARD DIVIDER**

4,294,557 A 10/1981 Blanchard et al.  
D342,944 S 1/1994 Rhodes  
5,419,704 A 5/1995 North  
6,010,262 A 1/2000 Linyear et al.

(76) Inventors: **Richard A. Linyear; Jessie B. Linyear**, both of 700 Harbor Quay, Chesapeake, VA (US) 23320

*Primary Examiner*—Kay H. Chin

(\*\*) Term: **14 Years**

(57) **CLAIM**

(21) Appl. No.: **29/142,082**

The ornamental design for the keyboard shield and keyboard divider, as shown.

(22) Filed: **May 17, 2001**

**DESCRIPTION**

(51) **LOC (7) Cl.** ..... **14-02**

(52) **U.S. Cl.** ..... **D14/455**

(58) **Field of Search** ..... D14/448, 454,  
D14/455, 456, 457; 400/689–693, 713–715;  
248/441.1, 442.2, 457; 312/208.3

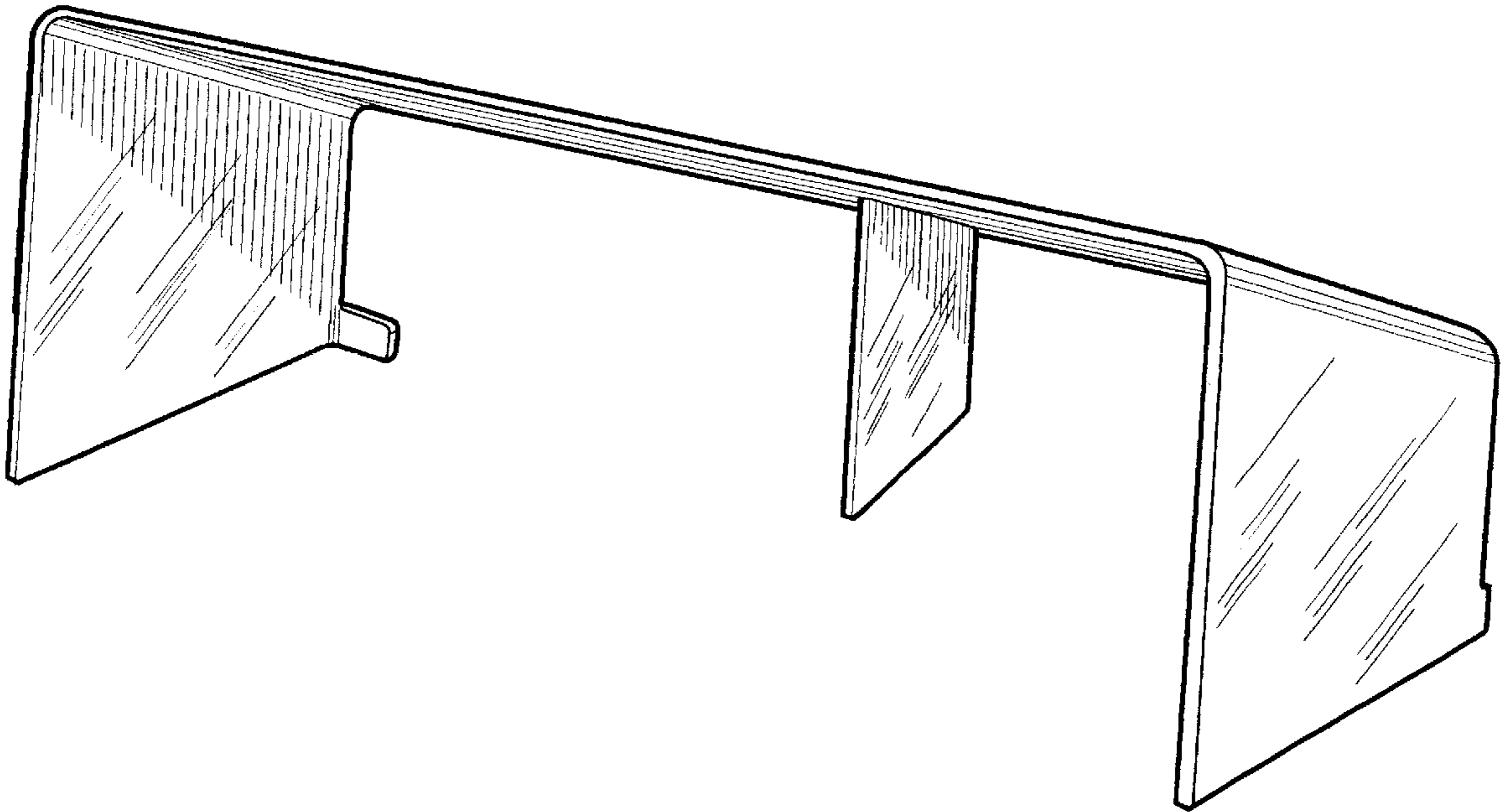
FIG. 1 is a perspective view of a keyboard shield and keyboard divider showing our new design;  
FIG. 2 is a rear elevational view thereof;  
FIG. 3 is a front elevational view thereof;  
FIG. 4 is a left side and a right side elevational view thereof;  
FIG. 5 is a top plan view thereof; and,  
FIG. 6 is a bottom plan view thereof.

(56) **References Cited**

**U.S. PATENT DOCUMENTS**

1,389,419 A 8/1921 Briggs

**1 Claim, 3 Drawing Sheets**



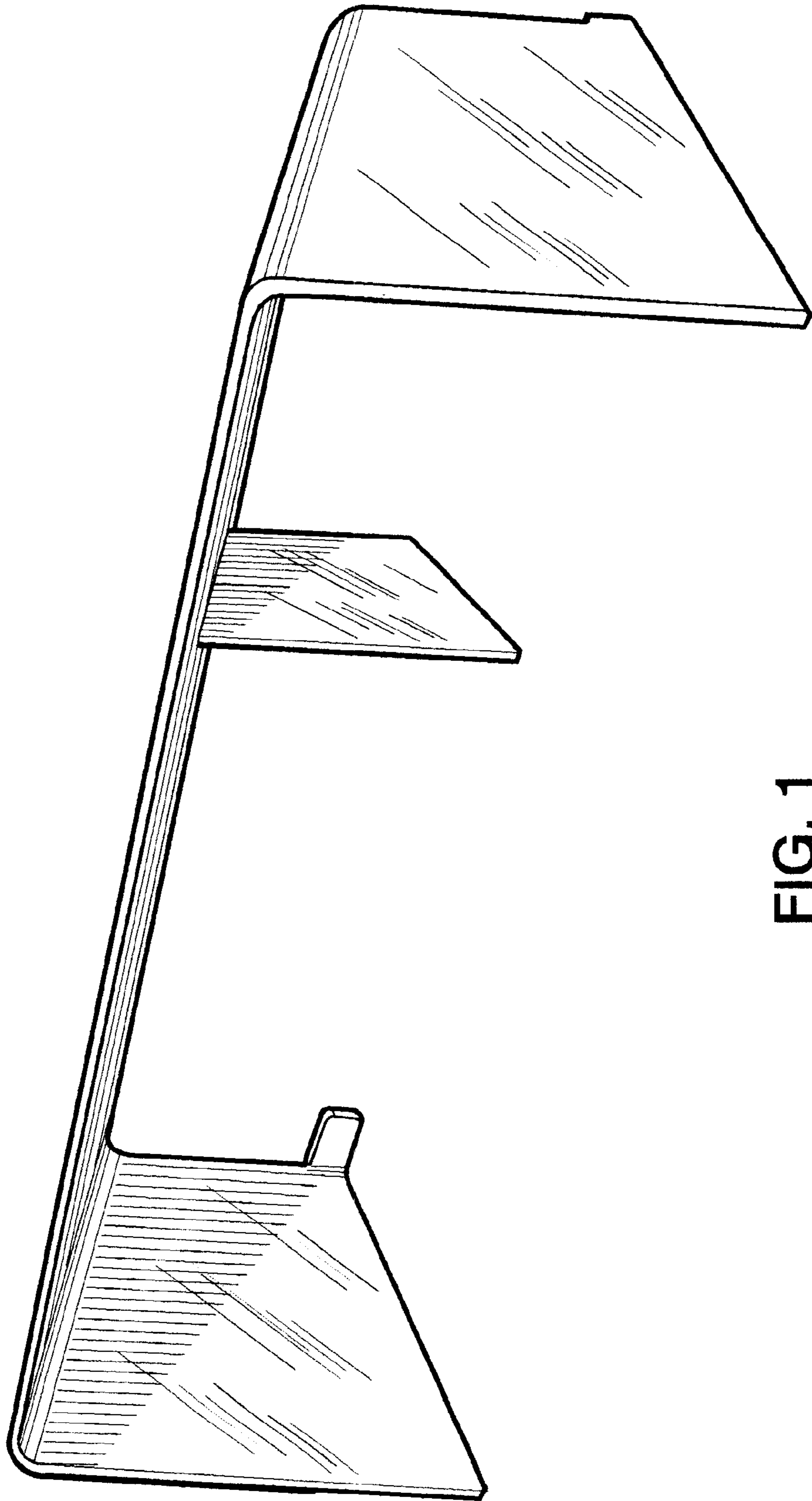


FIG. 1

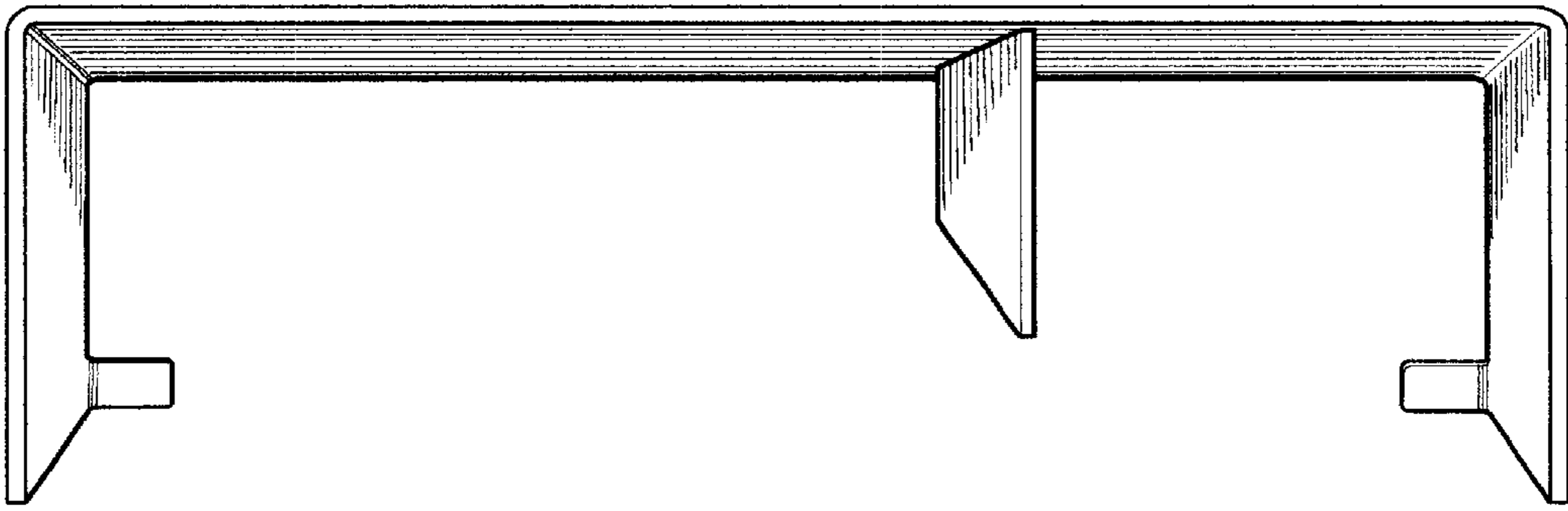


FIG. 2

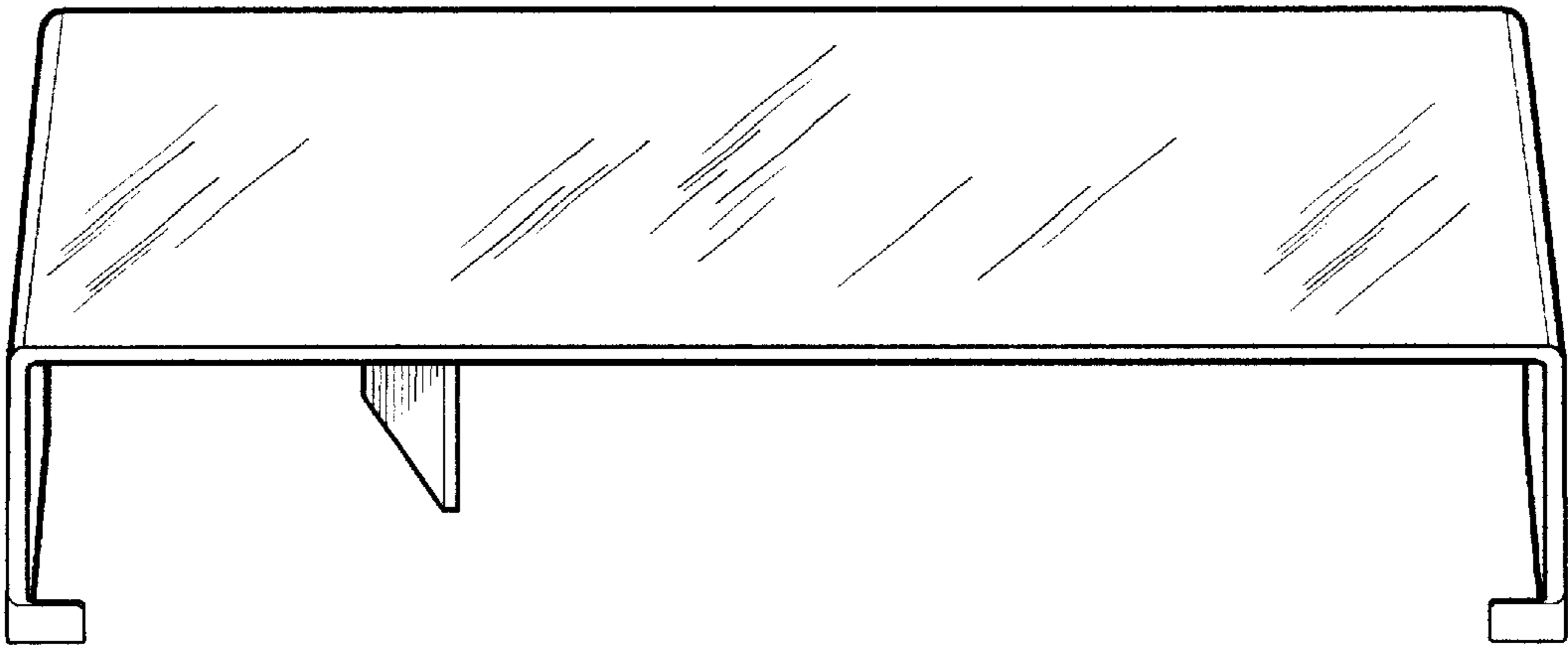


FIG. 3

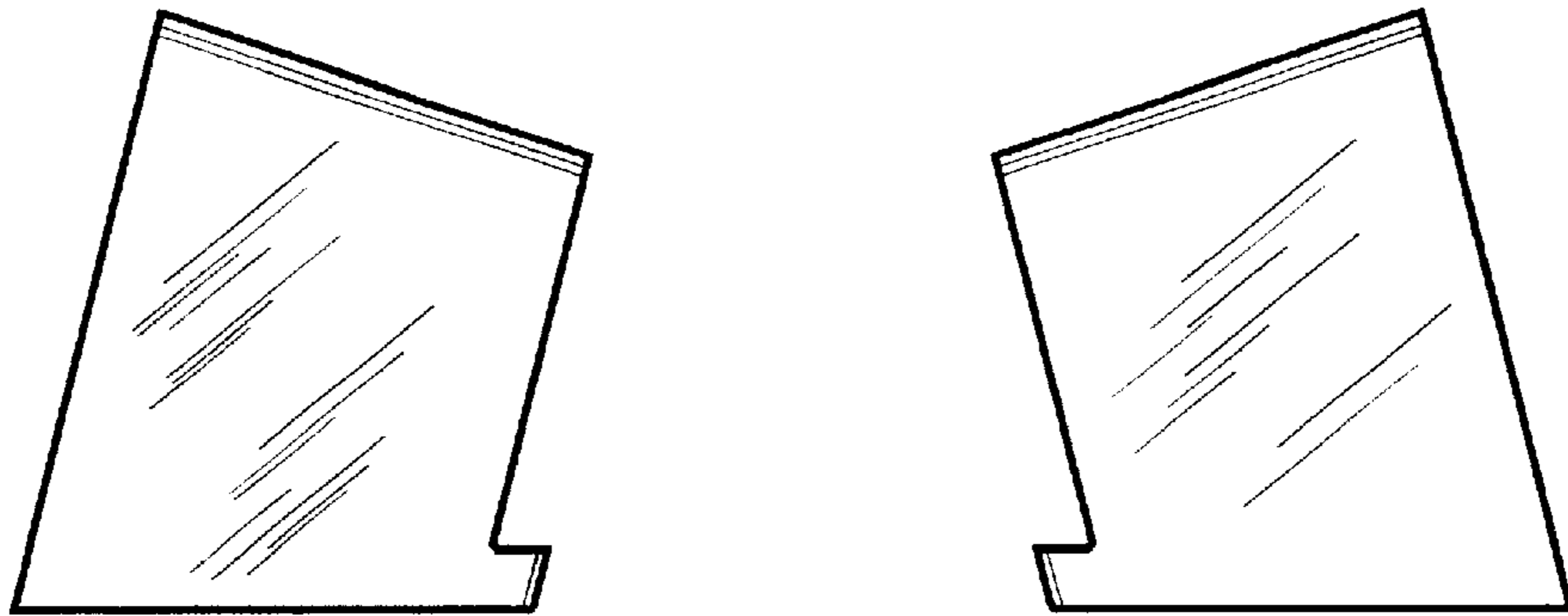


FIG. 4

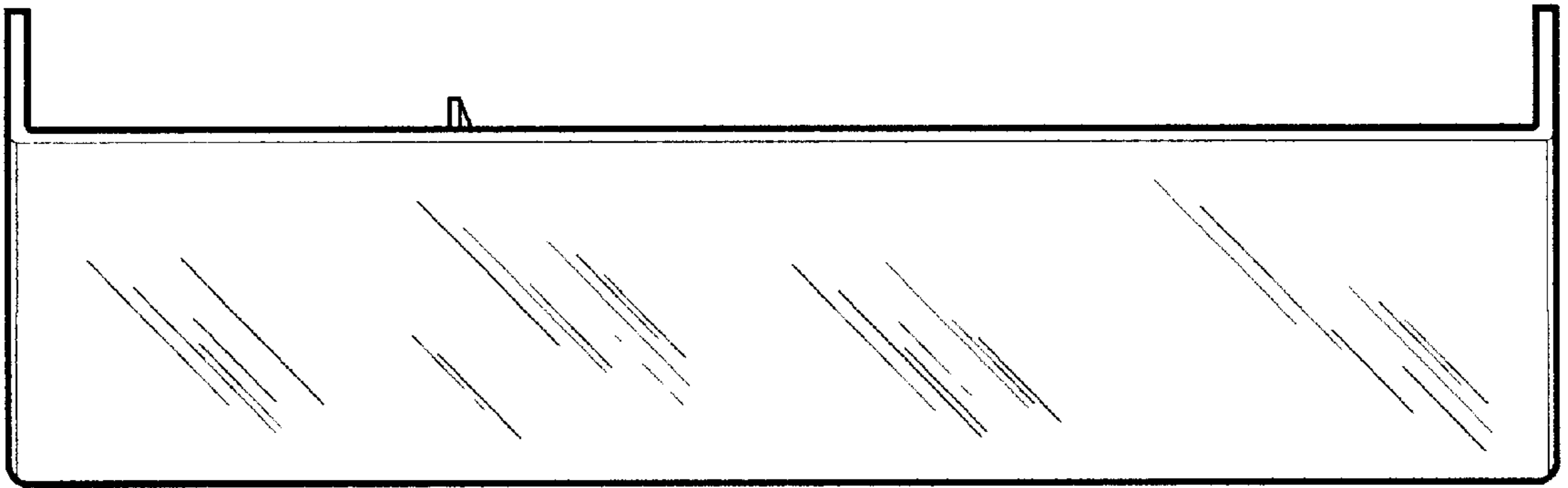


FIG. 5

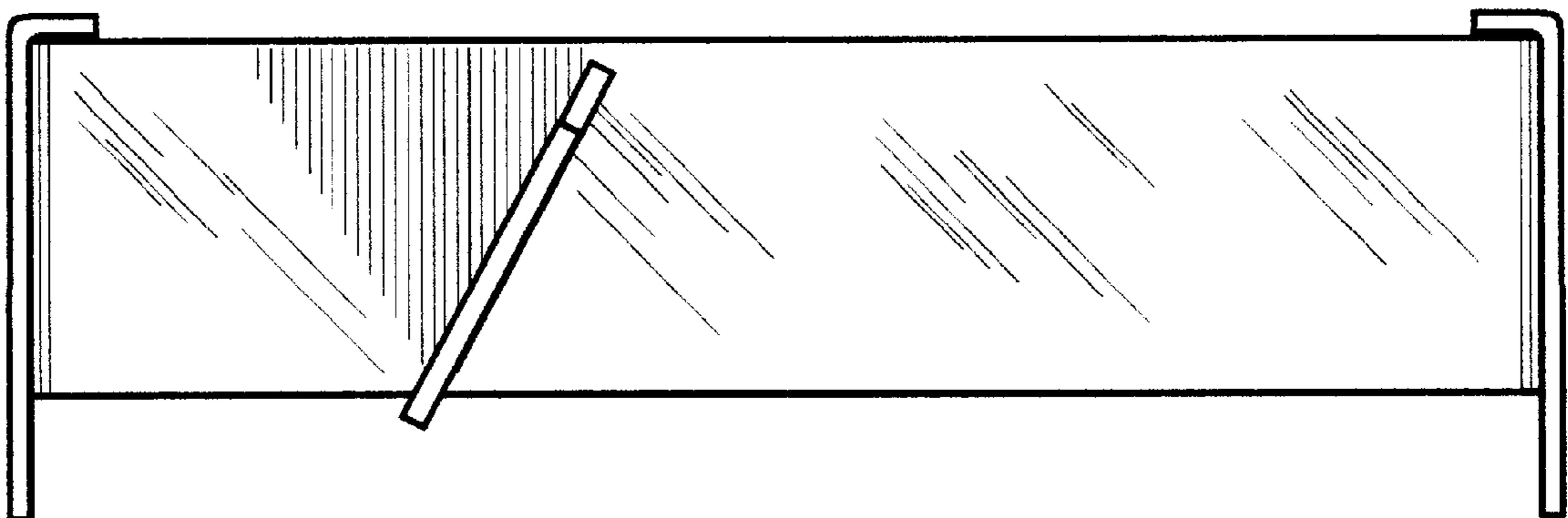


FIG. 6