



US00D453759S

(12) **United States Design Patent**  
**Goosen**

(10) **Patent No.:** **US D453,759 S**

(45) **Date of Patent:** **\*\* Feb. 19, 2002**

(54) **COMPUTER MOUSE**

(76) **Inventor:** **Gerard Goosen**, Schelpenkade 48,  
2313 ZX Leiden (NL)

(\*\*) **Term:** **14 Years**

(21) **Appl. No.:** **29/141,932**

(22) **Filed:** **May 16, 2001**

(30) **Foreign Application Priority Data**

Nov. 28, 2000 (NL) ..... 77770-00

(51) **LOC (7) Cl.** ..... **14-02**

(52) **U.S. Cl.** ..... **D14/403**

(58) **Field of Search** ..... D14/402-410,  
D14/417; 345/156-167; 200/5 R, 5 A, 6 R,  
6 A; 273/148 B; 74/471 XY; 463/36, 37,  
38

(56) **References Cited**

**U.S. PATENT DOCUMENTS**

D435,046 S \* 12/2000 Diee ..... D14/403

D438,541 S \* 3/2001 Hervig et al. .... D14/403

D438,864 S \* 3/2001 Hervig et al. .... D14/403

D442,594 S \* 5/2001 Hervig et al. .... D14/403

\* cited by examiner

*Primary Examiner*—Kay H. Chin

(74) *Attorney, Agent, or Firm*—Larson & Taylor, PLC

(57) **CLAIM**

The ornamental design for a computer mouse, as shown and described.

**DESCRIPTION**

FIG. 1 is a front perspective view of a computer mouse showing my new design;

FIG. 2 is a front elevation view thereof;

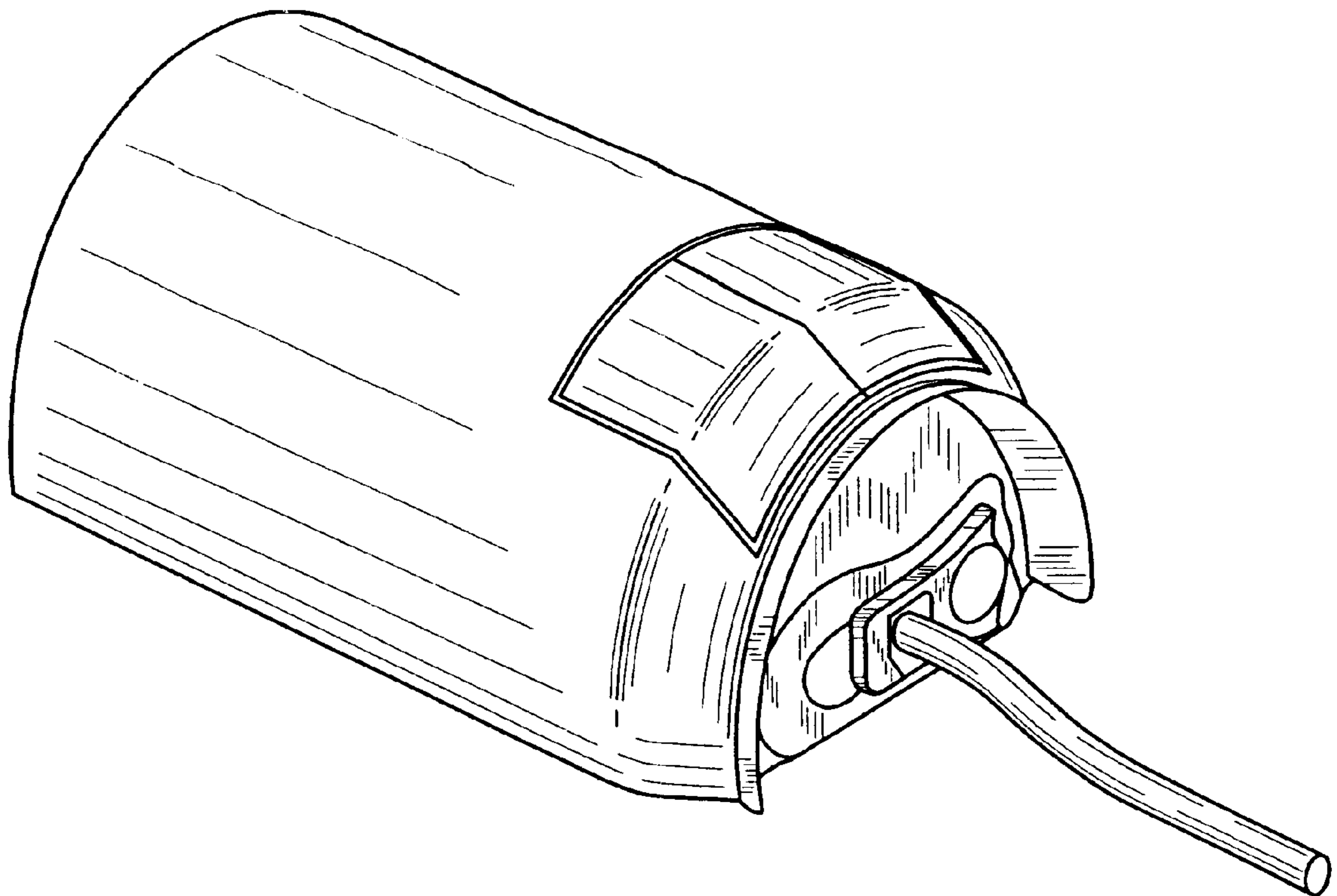
FIG. 3 is a rear elevation view thereof;

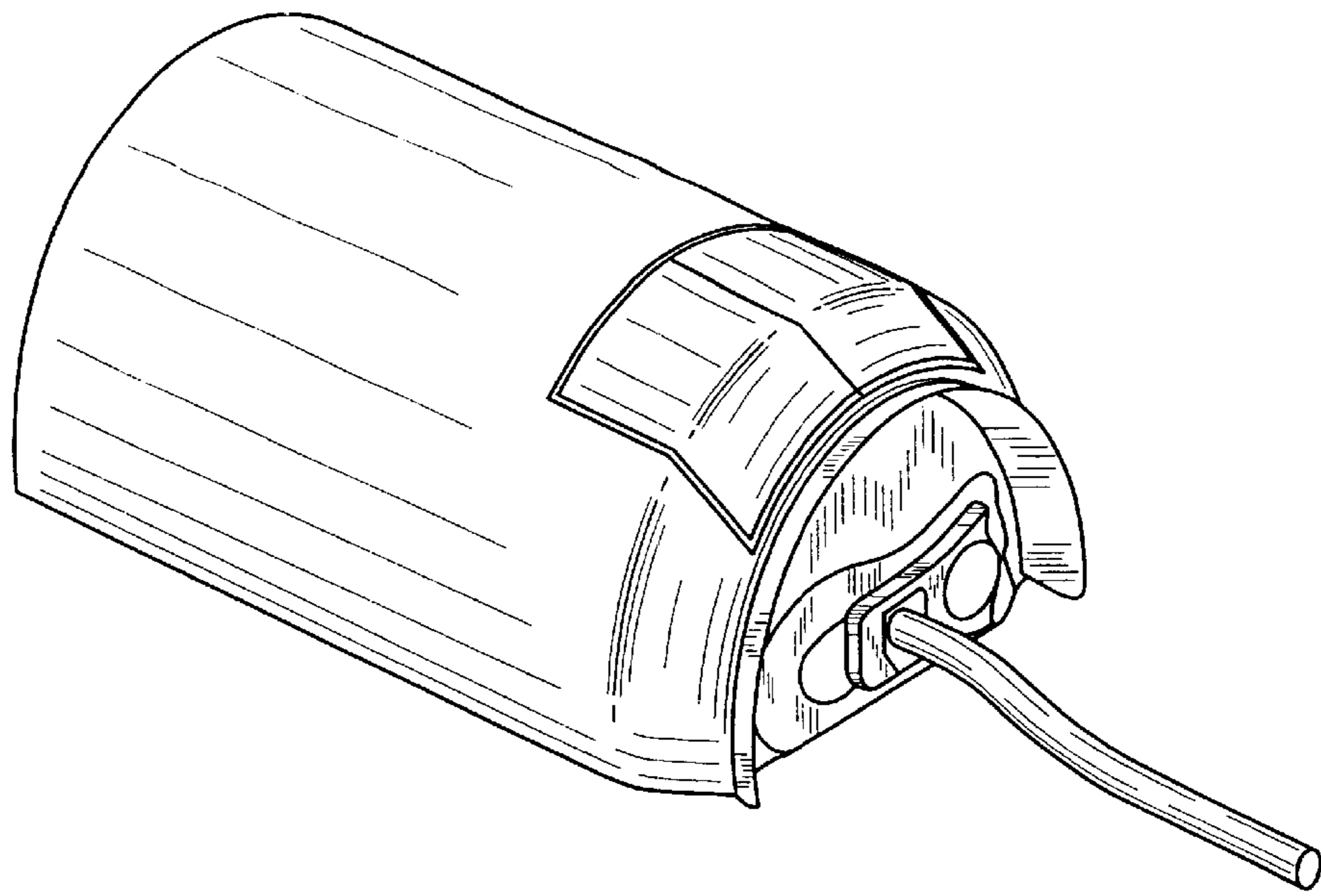
FIG. 4 is a right side elevation view thereof;

FIG. 5 is atop plan view thereof; and,

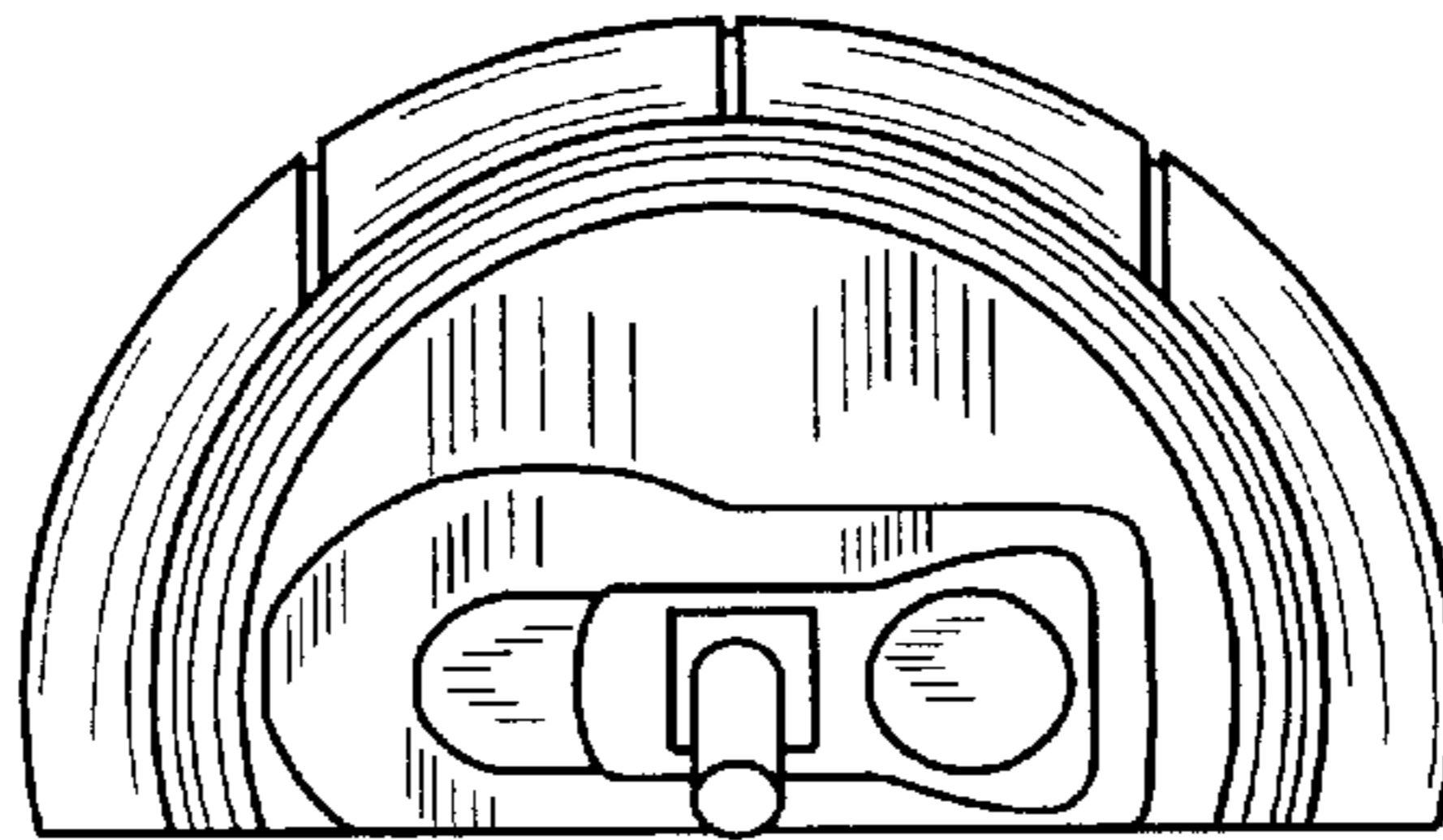
FIG. 6 is a left side elevation view thereof.

**1 Claim, 2 Drawing Sheets**

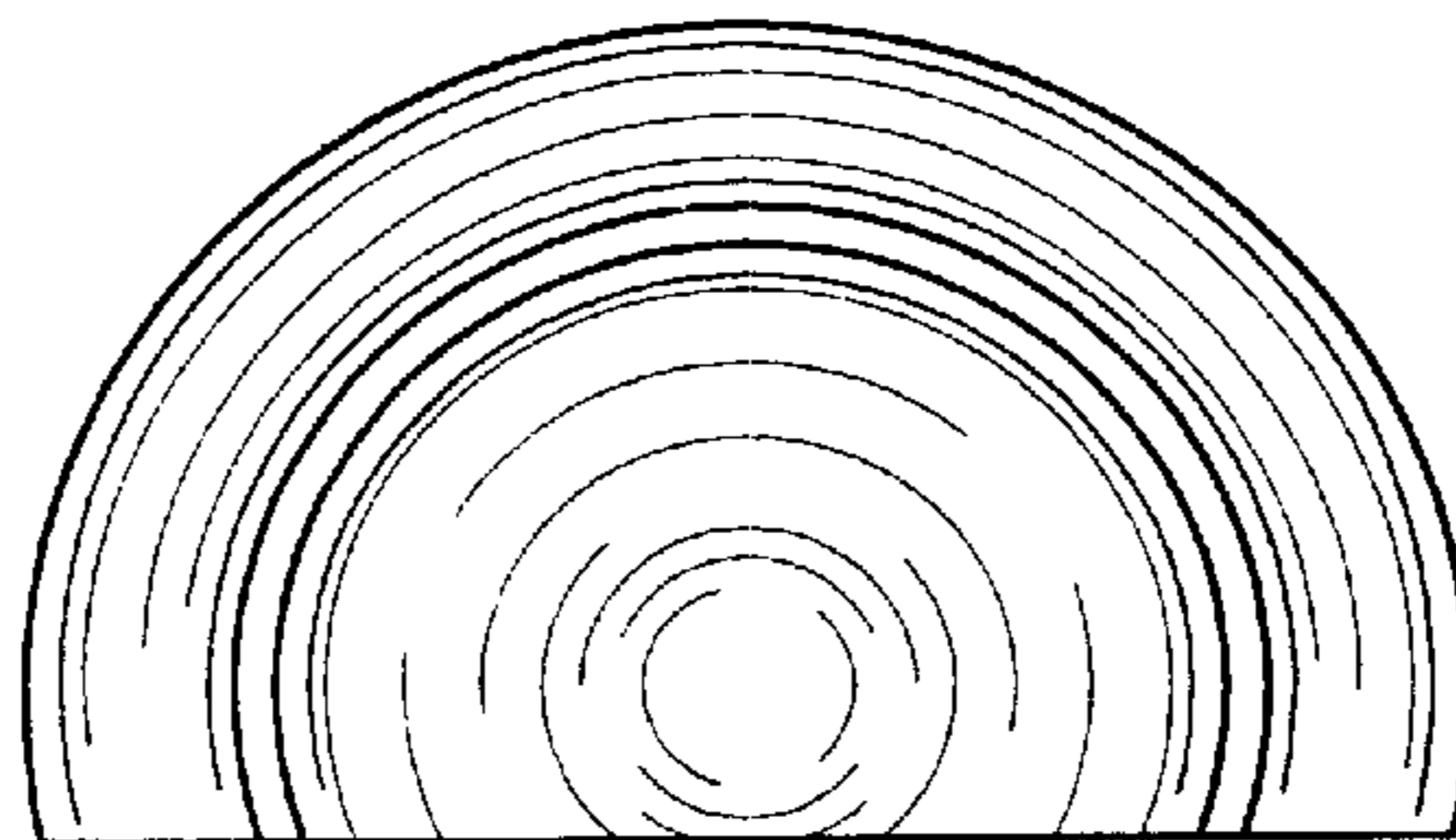




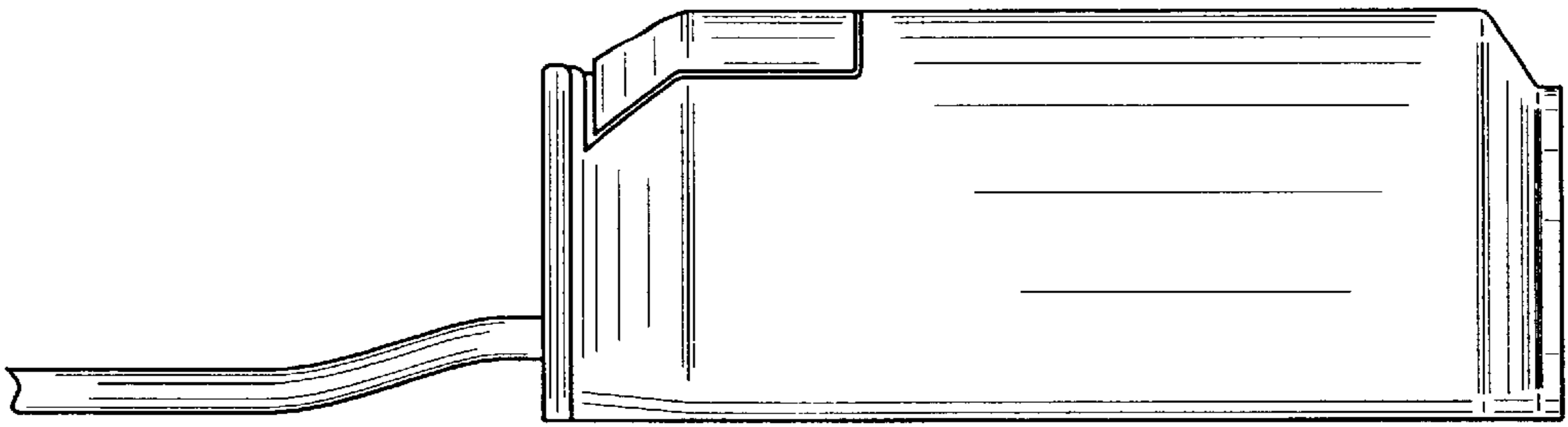
**FIG. 1**



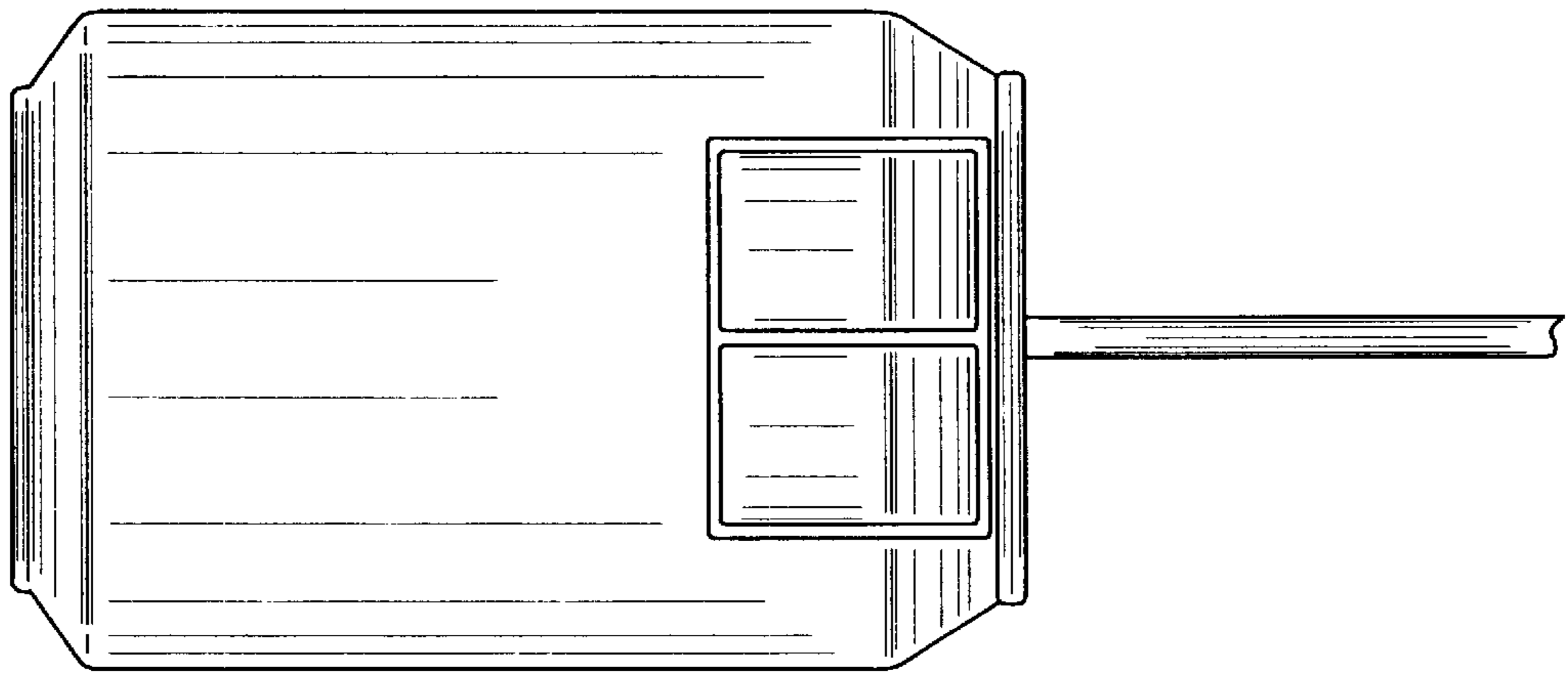
**FIG. 2**



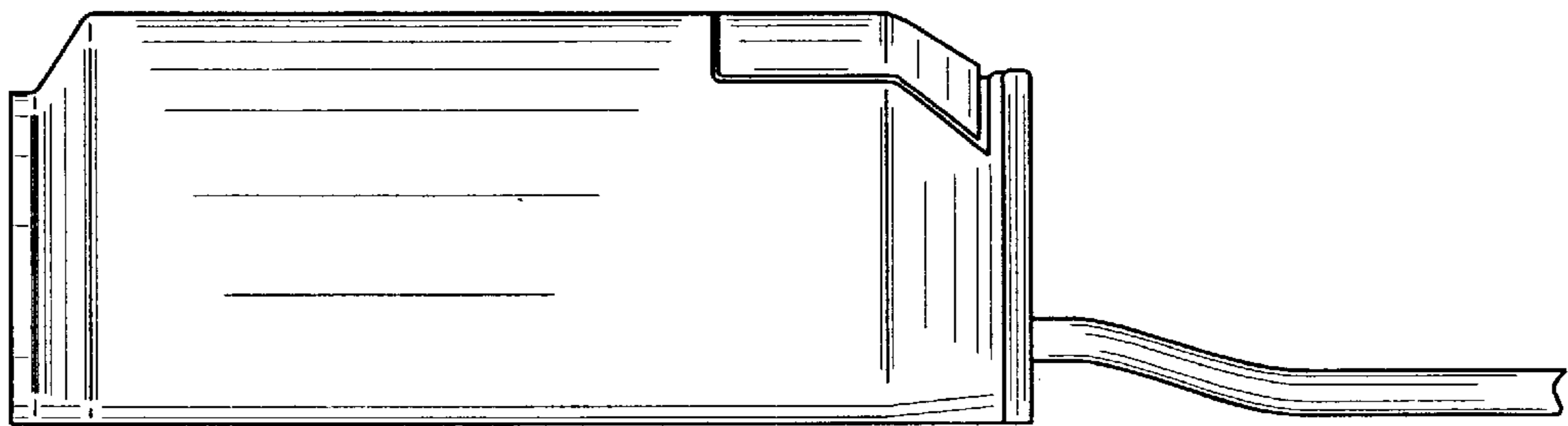
**FIG. 3**



**FIG. 4**



**FIG. 5**



**FIG. 6**