



US00D453757S

(12) **United States Design Patent**
Maio et al.

(10) **Patent No.:** **US D453,757 S**

(45) **Date of Patent:** **** Feb. 19, 2002**

(54) **RUGGEDIZED COMPUTER WITH
CONVENIENT HANDHOLDS**

(75) Inventors: **Stephen T. Maio**, Mendham; **James
Lampmann**, Butler, both of NJ (US)

(73) Assignee: **Honeywell International Inc.**,
Morristown, NJ (US)

(**) Term: **14 Years**

(21) Appl. No.: **29/132,345**

(22) Filed: **Nov. 7, 2000**

(51) **LOC (7) Cl.** **14-02**

(52) **U.S. Cl.** **D14/340**

(58) **Field of Search** D14/336, 337,
D14/331, 340, 342, 344, 356, 126-129;
D19/26, 59, 60; 361/680-686; 345/104,
133, 156, 168, 173, 87, 901-905; 348/180,
184, 325, 739; 349/1, 2, 11, 62

(56) **References Cited**

U.S. PATENT DOCUMENTS

D310,210 S * 8/1990 Ishida D14/340
D312,821 S * 12/1990 Kemp D14/340

D356,547 S * 3/1995 Silva et al. D14/331
D363,468 S * 10/1995 Mieki et al. D14/342
D373,573 S * 9/1996 Basco et al. D14/340
D413,582 S * 9/1999 Tompkins D14/344
D426,204 S * 7/2000 Maio et al. D14/356
6,101,086 A * 8/2000 Kim et al. 361/683

* cited by examiner

Primary Examiner—Freda Nunn

(74) *Attorney, Agent, or Firm*—Loria B. Yeadon

(57) **CLAIM**

The ornamental design for a ruggedized computer with convenient handholds, as shown and described.

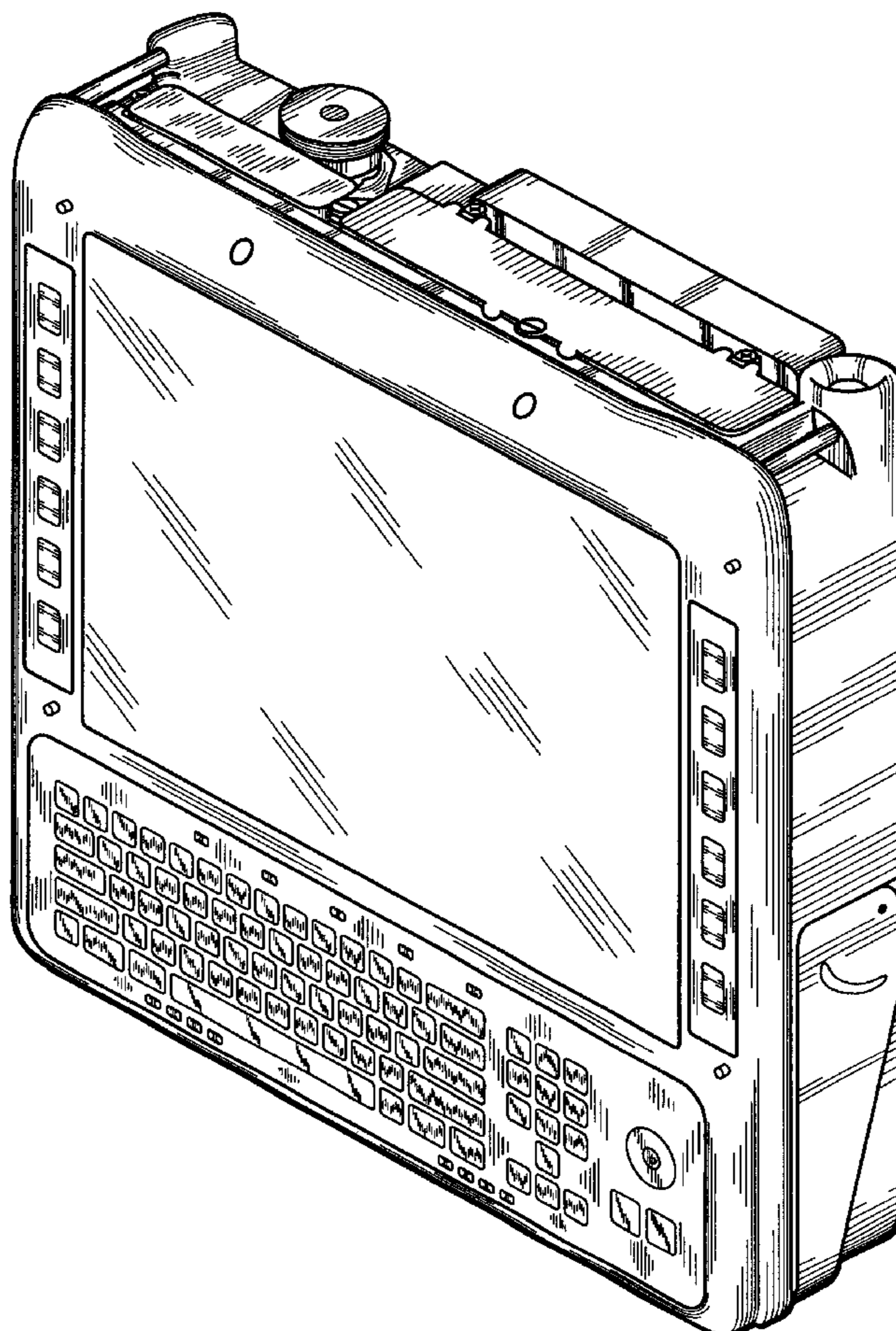
DESCRIPTION

Ruggedized computer with convenient handholds is, in one embodiment, intended for use as a portable diagnostic system for maintenance and evaluation of aircraft avionics equipment.

FIG. 1 is a front, left side, isometric view of a ruggedized computer with convenient handholds showing our new design; and,

FIG. 2 is a rear, left side, isometric view thereof.

1 Claim, 2 Drawing Sheets



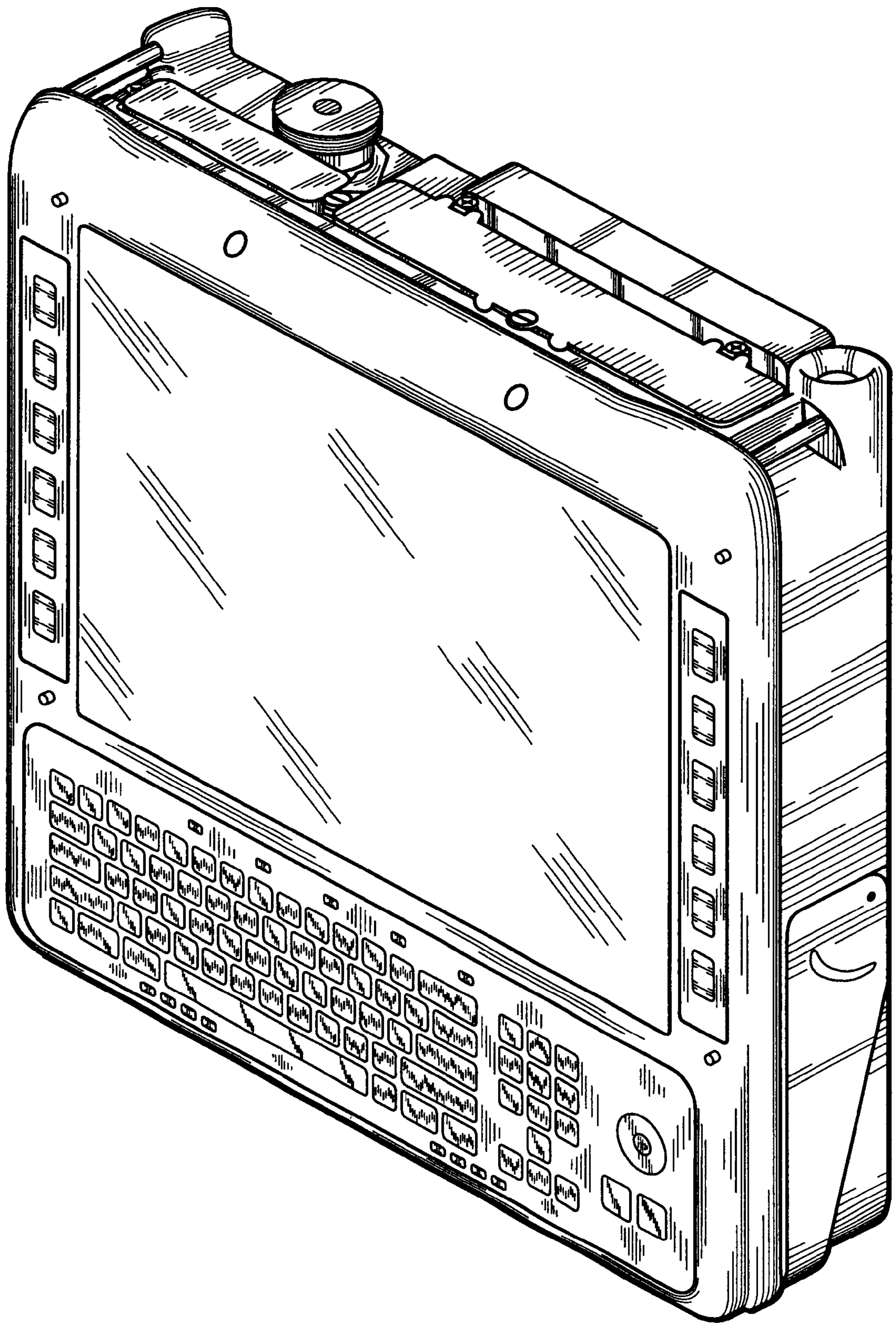


FIG. 1

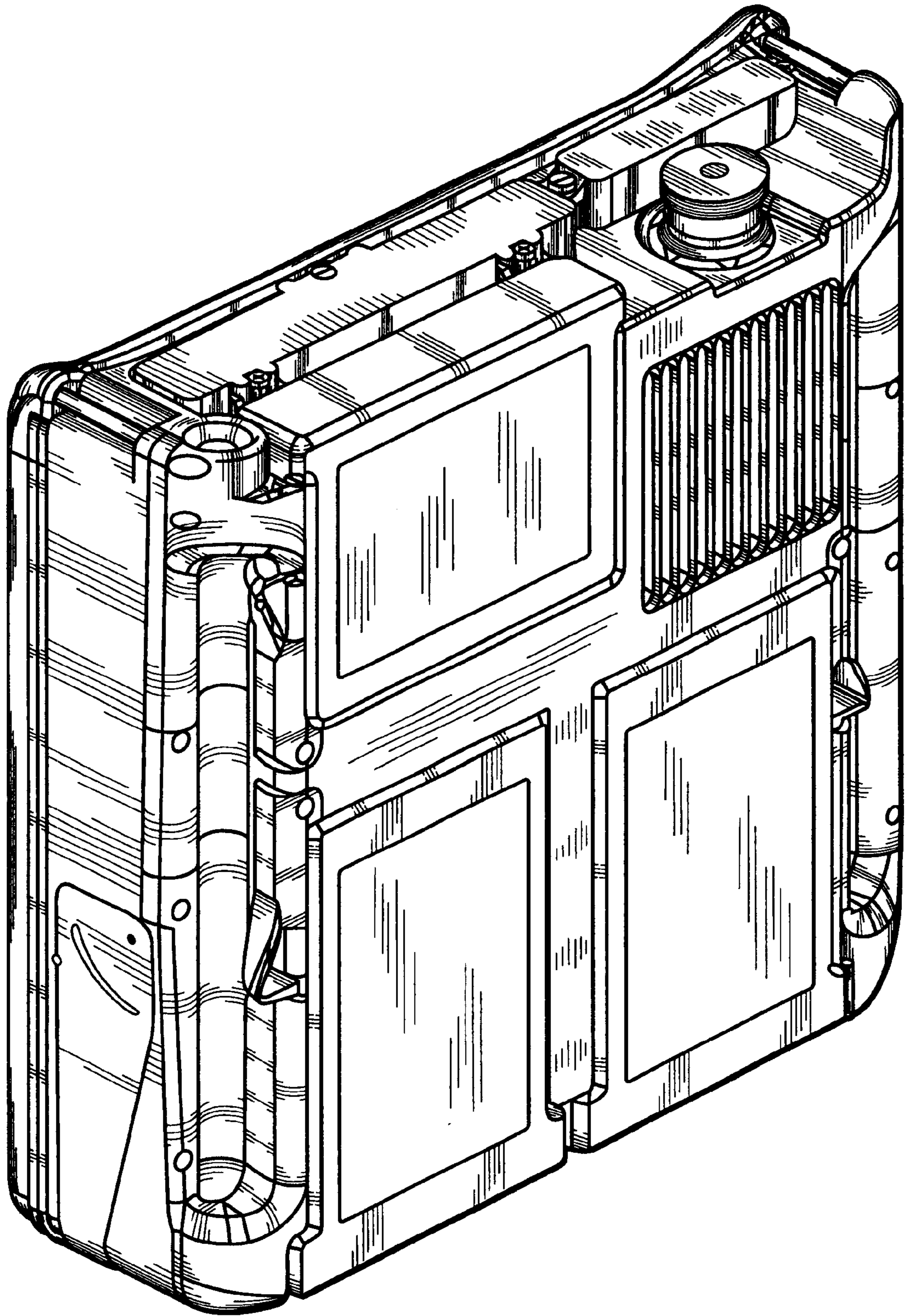


FIG. 2