



US00D453751S

(12) **United States Design Patent**
Bearden

(10) **Patent No.:** **US D453,751 S**

(45) **Date of Patent:** **** Feb. 19, 2002**

(54) **WRIST PHONE**

(76) Inventor: **Richard A Bearden**, 44 Upland Rd., Middlebury, CT (US) 06762

(**) Term: **14 Years**

(21) Appl. No.: **29/142,782**

(22) Filed: **Jun. 1, 2001**

(51) **LOC (7) Cl.** **14-03**

(52) **U.S. Cl.** **D14/138; D10/31**

(58) **Field of Search** D14/137, 138, D14/218, 147-148, 247-248, 144, 191, 341-347, 205, 206, 223; 379/433.01-433.13, 419, 434, 428.01-428.04, 420.01-420.04, 440; 455/550-575, 90; D10/30-32, 38-39; 368/10, 13

(56) **References Cited**

U.S. PATENT DOCUMENTS

4,646,157 A	2/1987	Wakai et al.	
4,847,818 A	7/1989	Olsen	
4,985,878 A *	1/1991	Yamada et al.	368/88
5,008,864 A	4/1991	Yoshitake	
D318,053 S *	7/1991	Ludeke et al.	D14/206
5,050,138 A *	9/1991	Yamada et al.	368/10
5,138,590 A *	8/1992	Masuda et al.	368/10
5,224,076 A *	6/1993	Thorp	368/10
5,239,521 A	8/1993	Blonder	
5,260,915 A	11/1993	Houlihan	
5,262,763 A *	11/1993	Okuyama et al.	345/87
D346,802 S *	5/1994	Sacherman et al.	D14/206
D352,666 S *	11/1994	Williams	D10/31
D355,611 S *	2/1995	Hanagata	D10/31
D358,553 S	5/1995	Murakami et al.	
D360,590 S *	7/1995	Murakami et al.	D10/31

D361,723 S *	8/1995	Nanayakkara	D10/31
5,467,324 A *	11/1995	Houlihan	368/10
5,659,611 A *	8/1997	Saksa	379/433
D385,802 S *	11/1997	Jorss	D10/33
5,724,667 A *	3/1998	Furuno	455/575
5,812,498 A *	9/1998	Teres	368/10
5,841,849 A *	11/1998	Macor	379/142
D408,795 S *	4/1999	Wells	D14/344
6,044,153 A *	3/2000	Kaschke	379/433
6,091,965 A *	7/2000	Voroba et al.	455/550

OTHER PUBLICATIONS

Oct. 1981 European Jewler, p. 121, Eterna Twin-Time.*

* cited by examiner

Primary Examiner—Jeffrey Asch

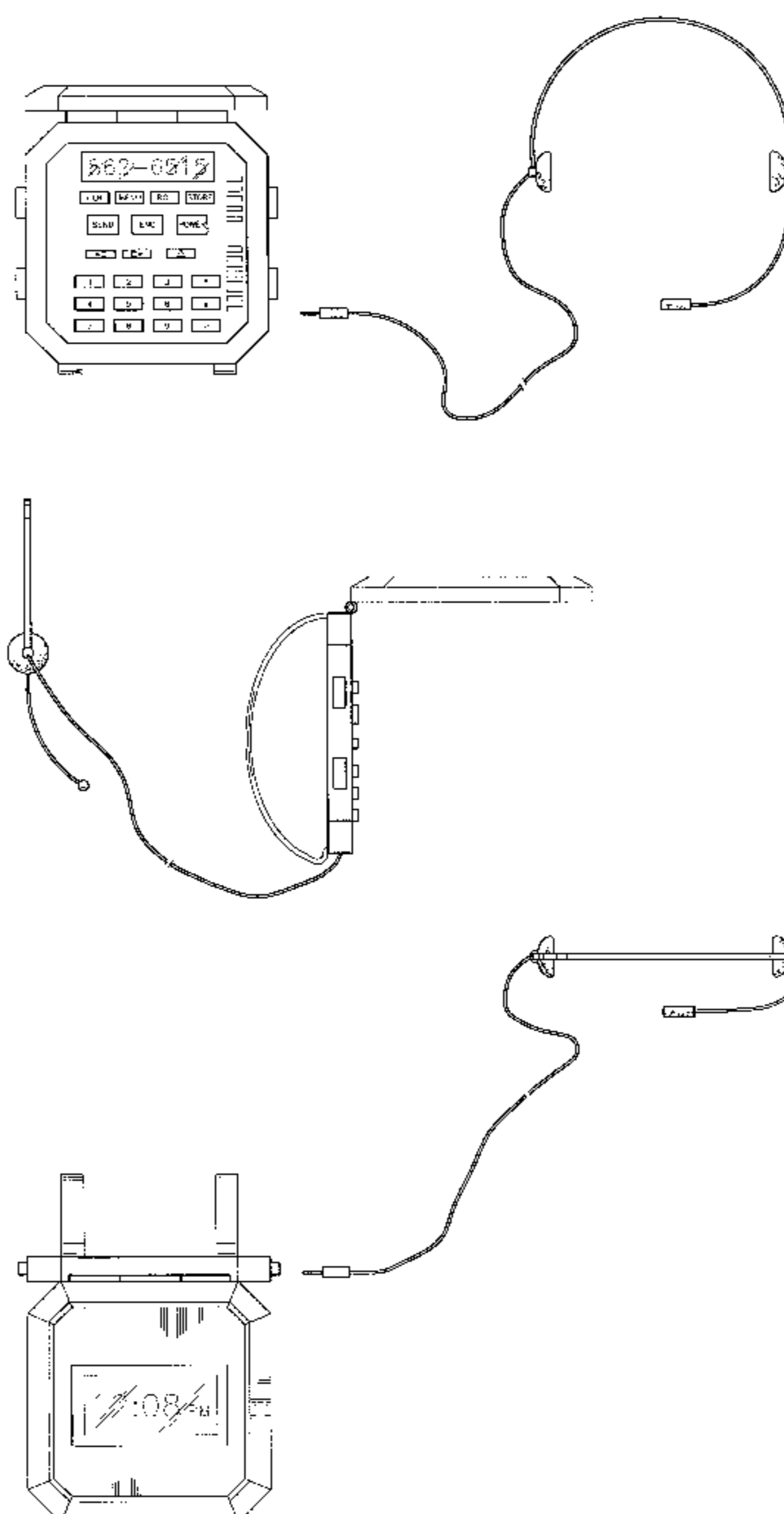
(57) **CLAIM**

The ornamental design for a wrist phone, as shown and described.

DESCRIPTION

FIG. 1 is a front elevational view of the wrist phone of the present invention; FIG. 2 is a rear elevational view of the wrist phone of FIG. 1; FIG. 3 is a left side elevational view of the wrist phone of FIG. 1; FIG. 4 is a right side elevational view of the wrist phone of FIG. 1; FIG. 5 is a top plan view of the wrist phone of FIG. 1; and, FIG. 6 is a bottom plan view of the wrist phone of FIG. 1. The broken lines showing of numbers in FIGS. 1 and 5 are for illustrative purposes only and form no part of the claimed design.

1 Claim, 6 Drawing Sheets



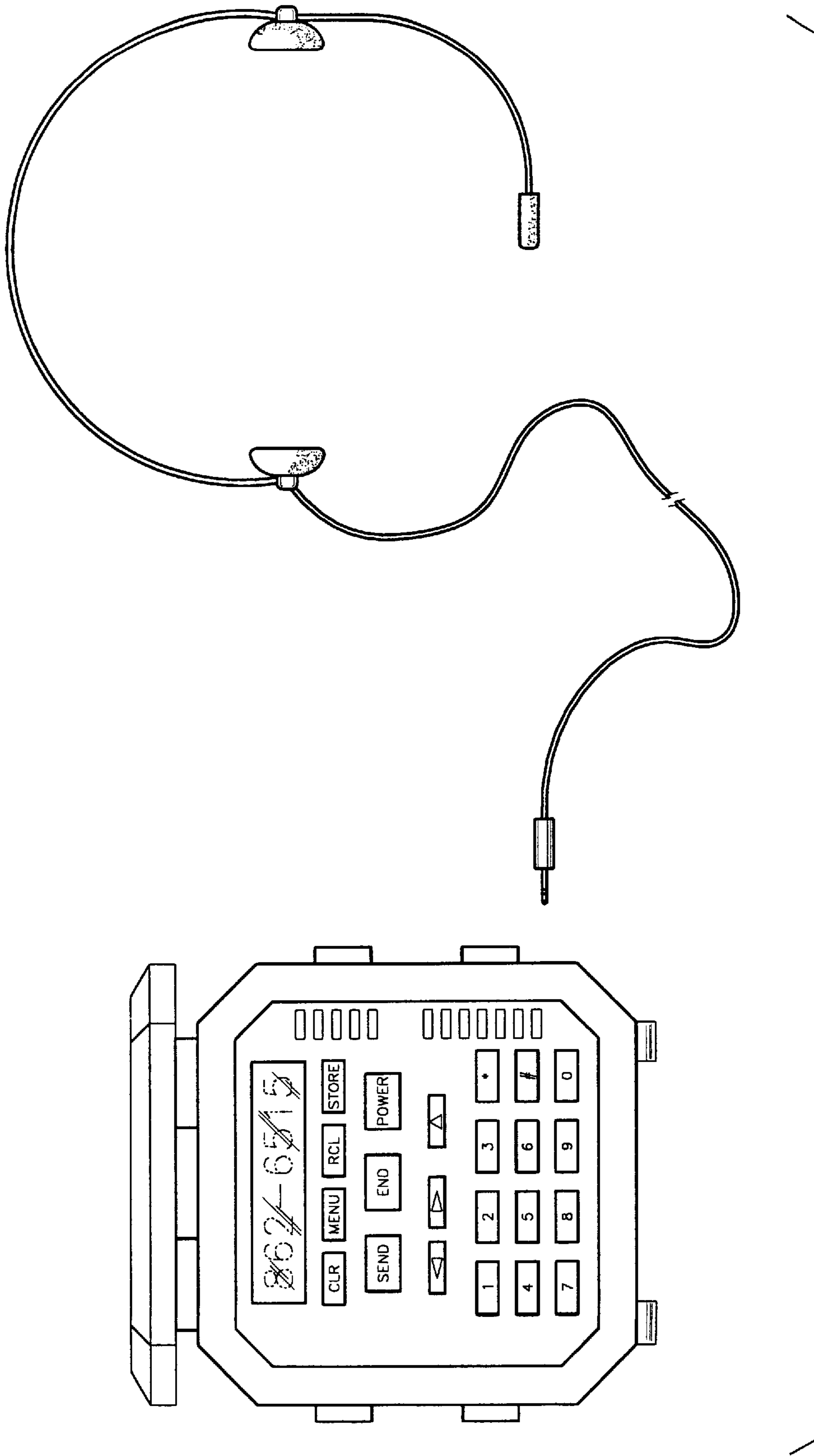


FIG. 1

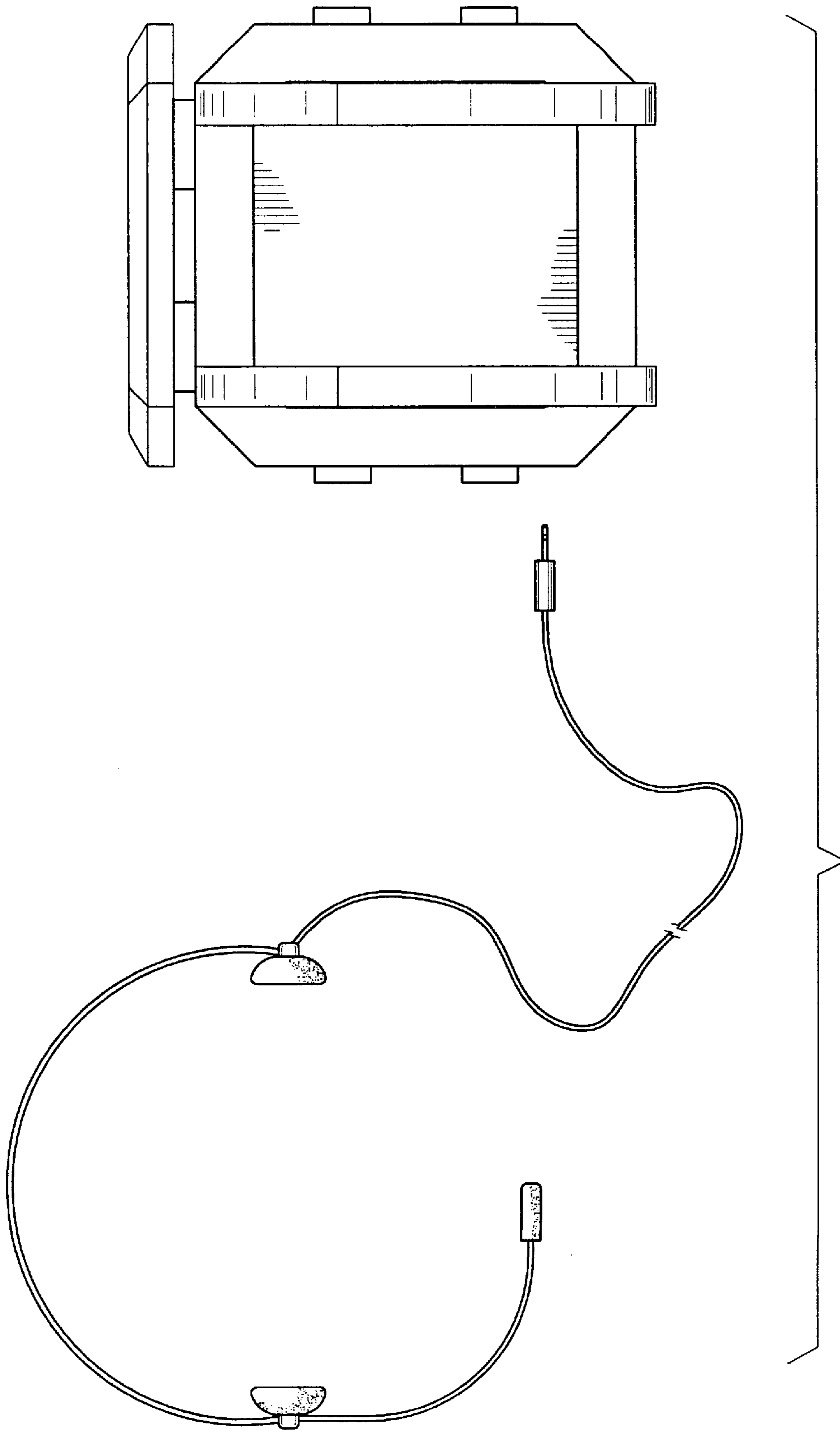


FIG. 2

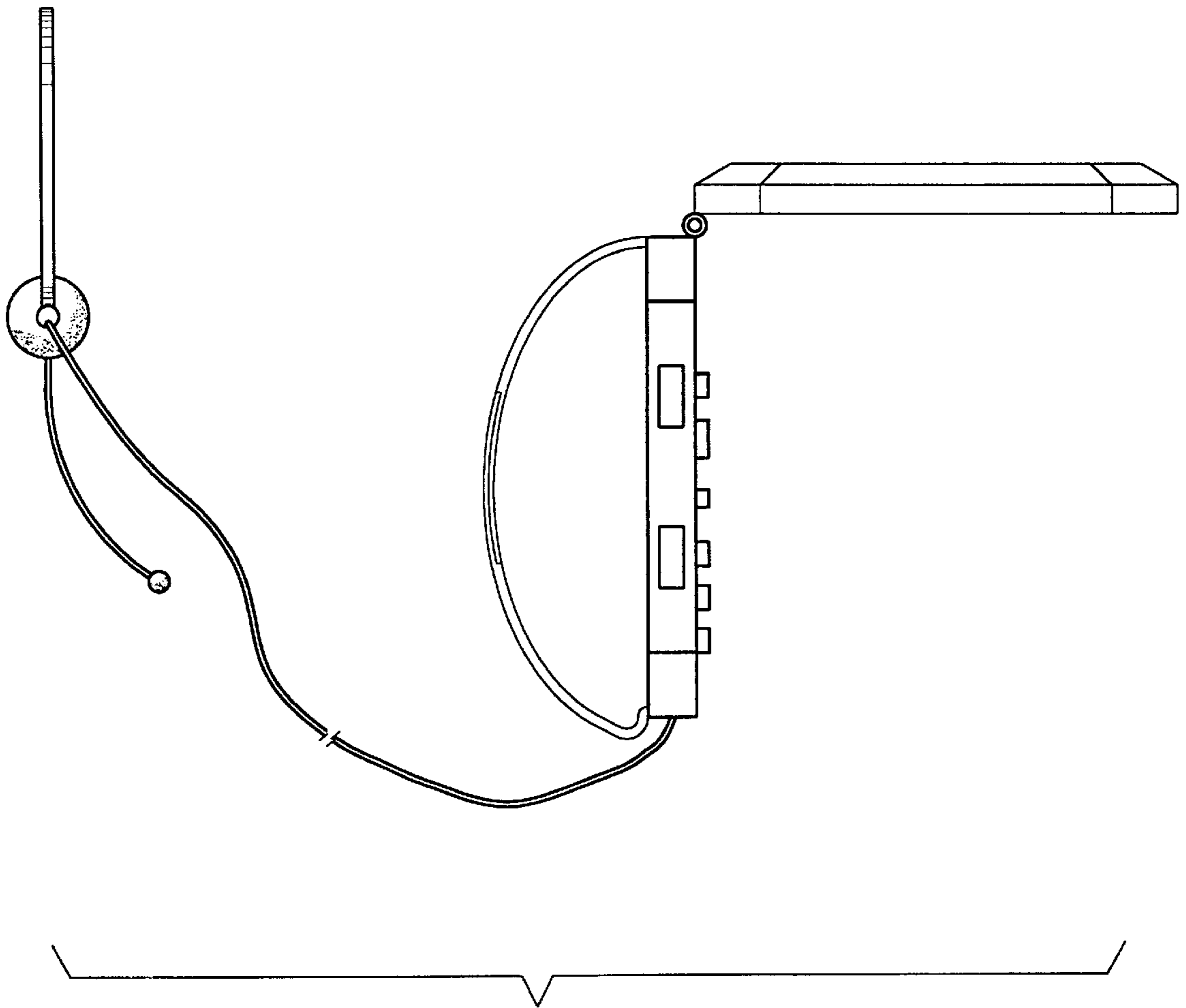


FIG. 3

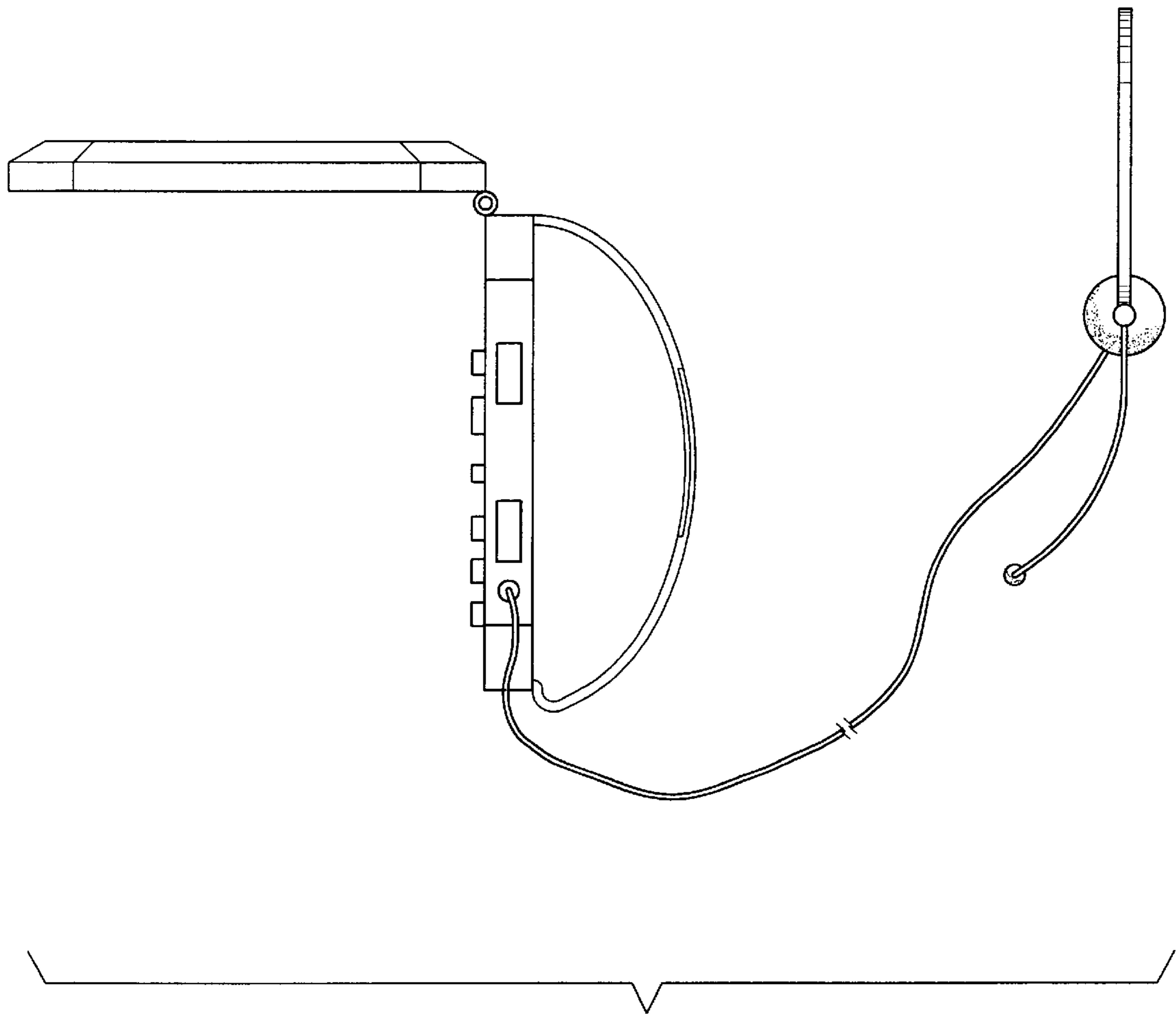


FIG. 4

