



US00D453748S

(12) **United States Design Patent**
Kita

(10) **Patent No.:** **US D453,748 S**

(45) **Date of Patent:** **** Feb. 19, 2002**

(54) **TELEVISION SET**

(75) Inventor: **Toshiyuki Kita**, Osaka-fu (JP)

(73) Assignee: **Sharp Kabushiki Kaisha**, Osaka (JP)

(**) Term: **14 Years**

(21) Appl. No.: **29/143,467**

(22) Filed: **Jun. 15, 2001**

(30) **Foreign Application Priority Data**

Dec. 18, 2000 (JP) 2000-036137

(51) **LOC (7) Cl.** **14-03**

(52) **U.S. Cl.** **D14/134; D14/126**

(58) **Field of Search** D14/125-136,
D14/239, 371, 374-382; 312/7.2; 348/836,
180, 184, 325, 739; 345/905, 104, 133,
156, 168, 87, 173; 341/12; 248/917-924

(56) **References Cited**

U.S. PATENT DOCUMENTS

D336,645 S	6/1993	Saito et al.	
D337,113 S	7/1993	Saito et al.	
D342,497 S	12/1993	Saito et al.	
D342,501 S	12/1993	Saeki et al.	
D342,509 S	12/1993	Saito et al.	
D351,155 S	10/1994	Usami et al.	
D351,156 S	10/1994	Usami et al.	
D356,081 S	* 3/1995	Naito D14/134
D357,244 S	4/1995	Usami et al.	

D357,245 S	4/1995	Usami et al.	
D357,472 S	4/1995	Usami et al.	
D369,596 S	5/1996	Akiyama et al.	
D372,026 S	7/1996	Akiyama et al.	
D373,583 S	9/1996	Akiyama et al.	
D392,628 S	* 3/1998	Hayashi D14/126
D427,169 S	6/2000	Saeki et al.	
D429,227 S	8/2000	Shimizu	
D431,537 S	10/2000	Saeki et al.	
D438,848 S	3/2001	Kita	
D439,224 S	3/2001	Kita	
D439,225 S	3/2001	Kita	

* cited by examiner

Primary Examiner—Raphael Barkai

(74) *Attorney, Agent, or Firm*—Nixon & Vanderhye

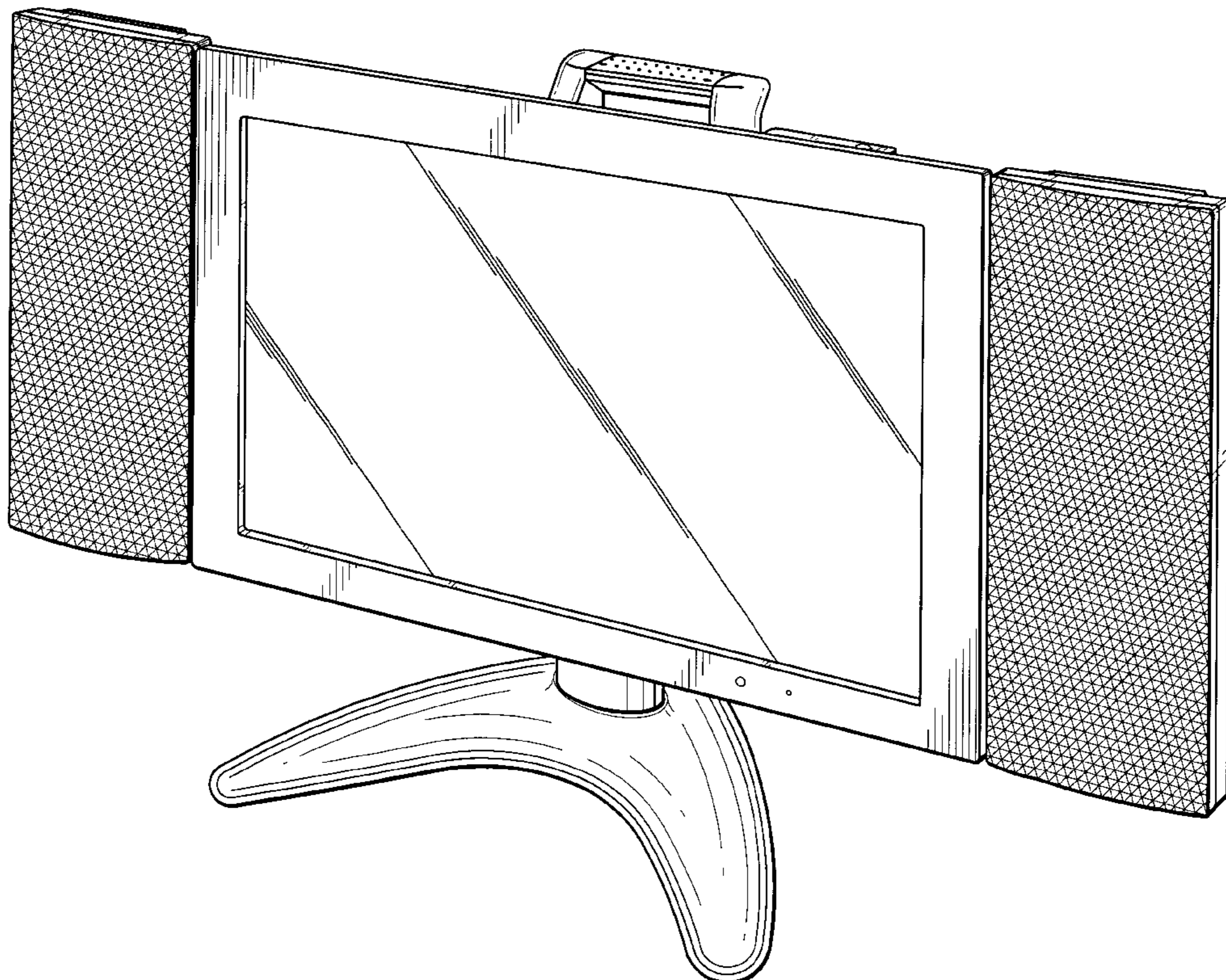
(57) **CLAIM**

The ornamental design for a “television set”, as shown and described.

DESCRIPTION

FIG. 1 is a top, front and right side perspective view of a television set according to my design;
FIG. 2 is a front elevational view thereof;
FIG. 3 is a top plan view thereof;
FIG. 4 is a rear elevational view thereof;
FIG. 5 is a bottom plan view thereof;
FIG. 6 is a right side elevational view thereof, the left side elevational view being a mirror image thereof; and,
FIG. 7 is a rear, top and right side perspective view thereof.

1 Claim, 7 Drawing Sheets



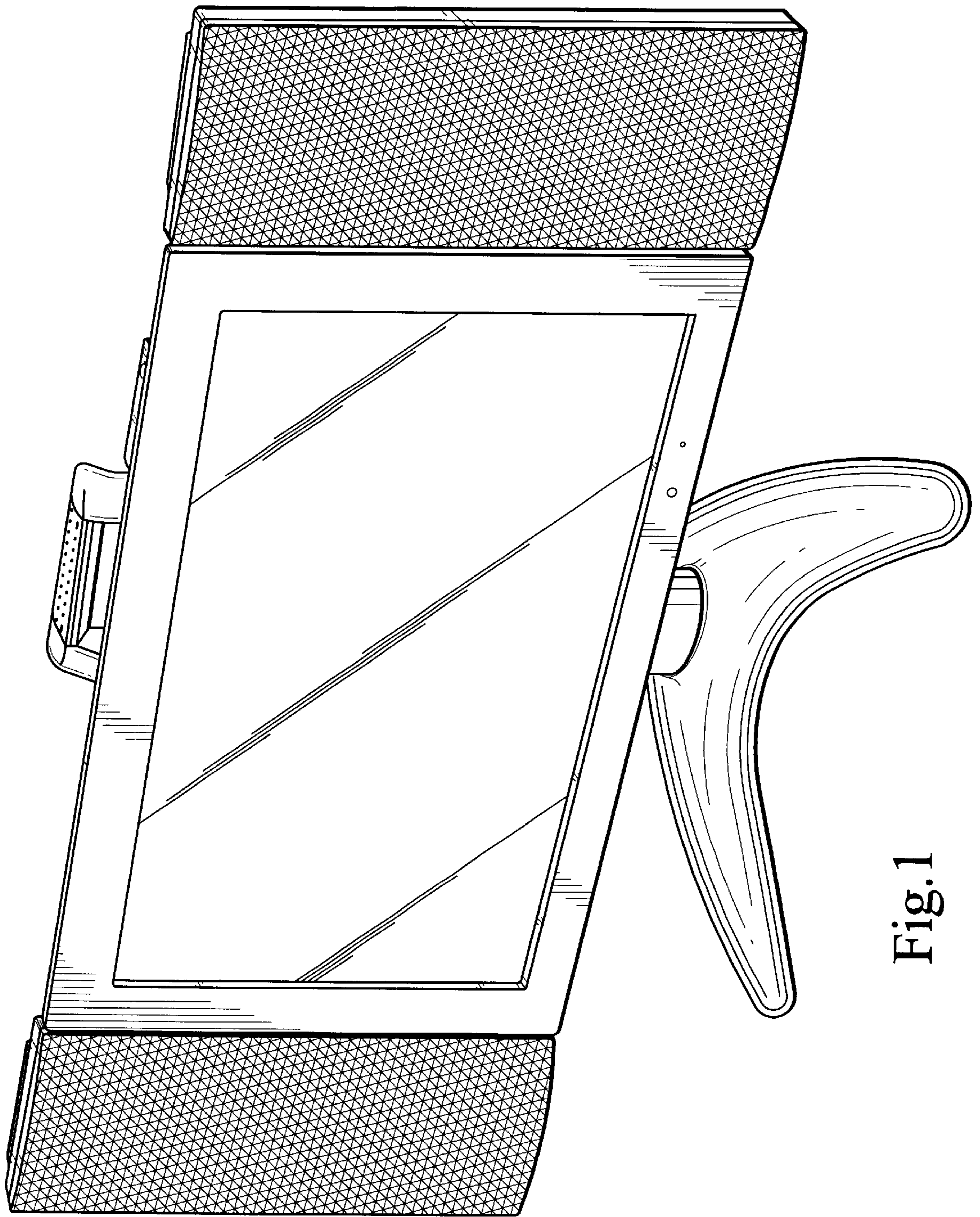


Fig. 1

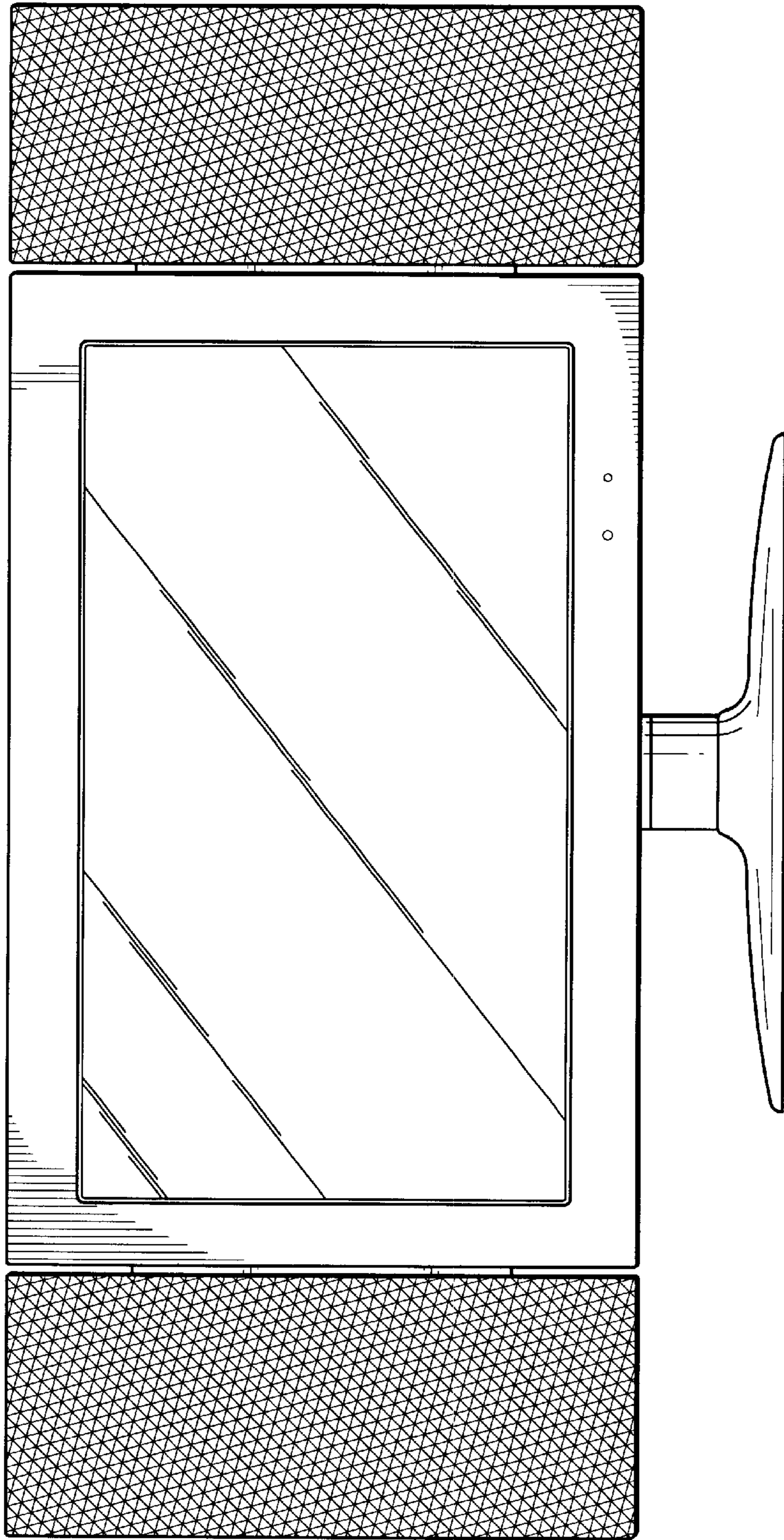


Fig.2

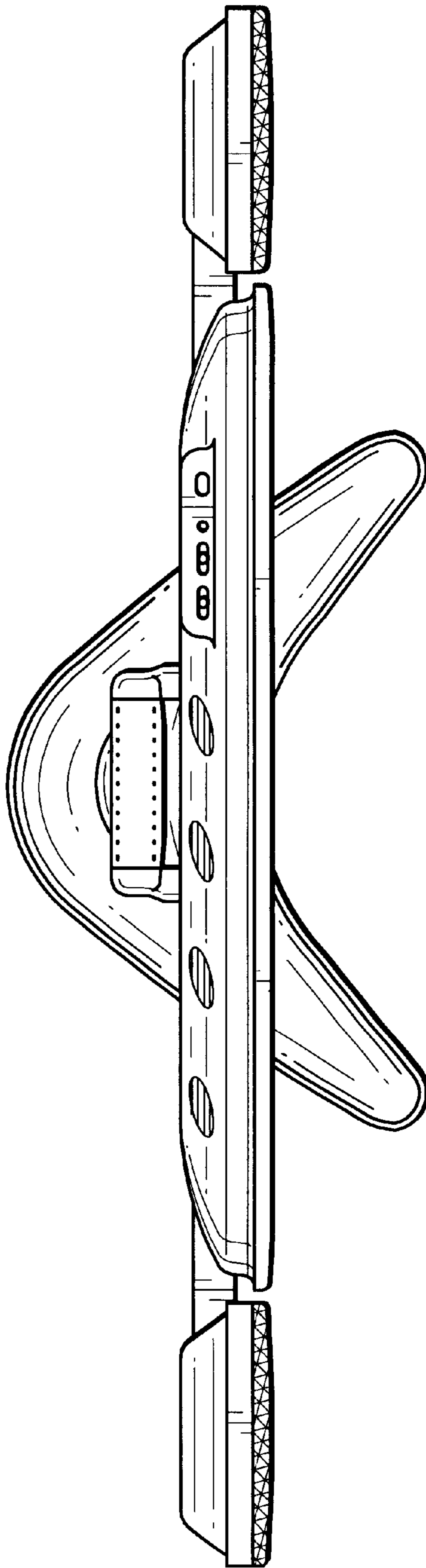


Fig.3

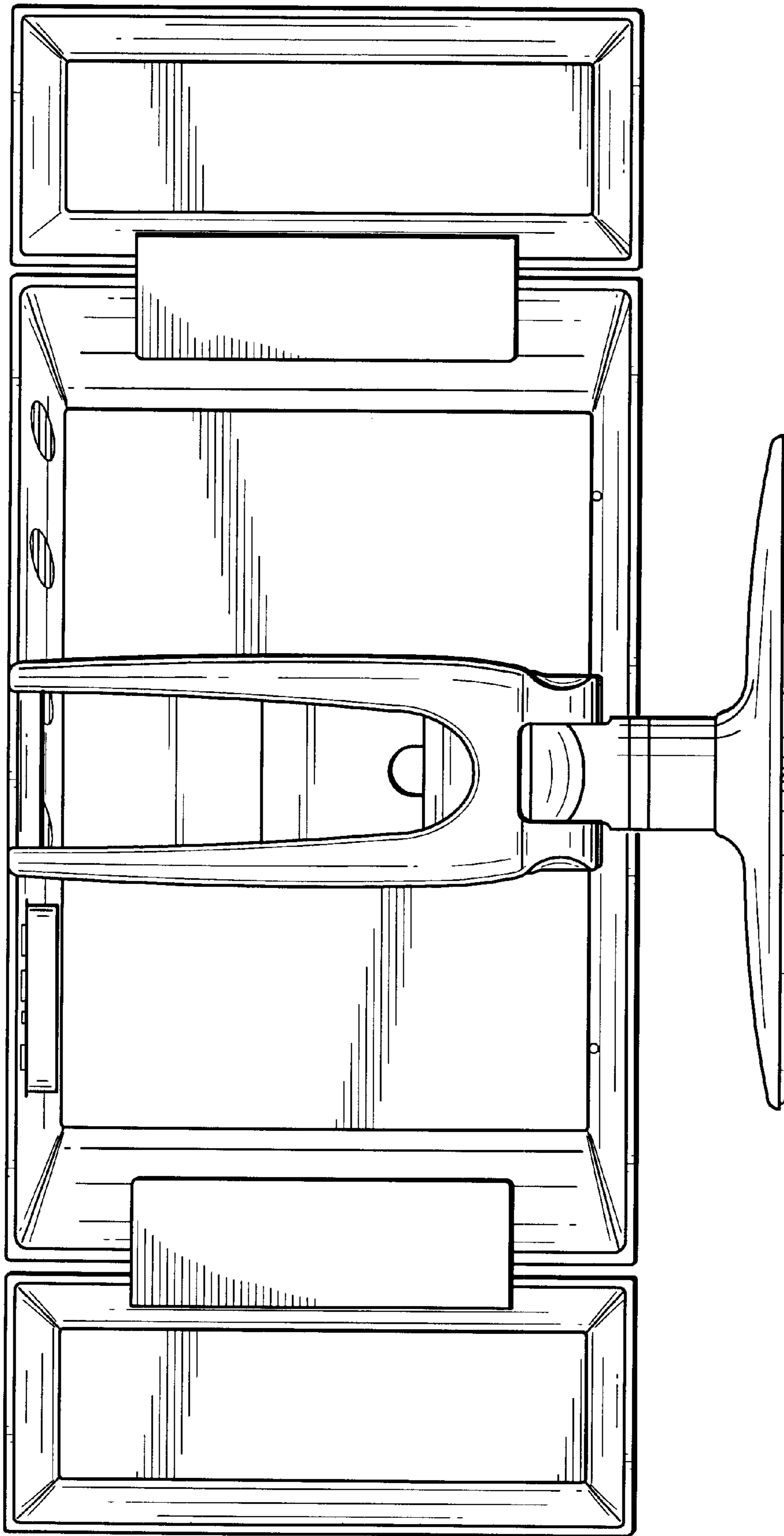


Fig.4

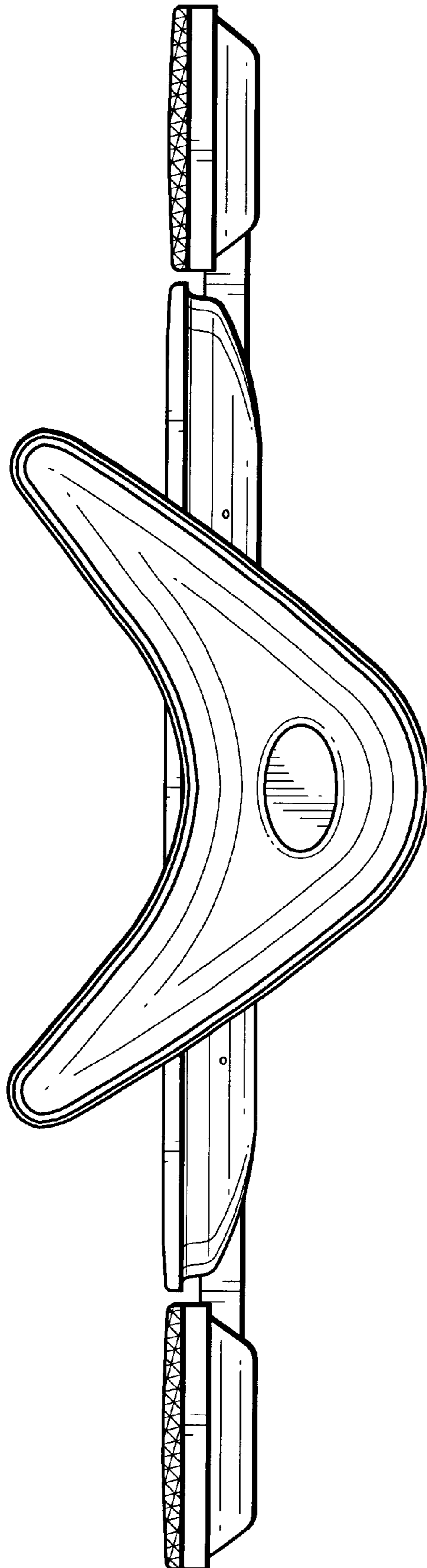


Fig. 5

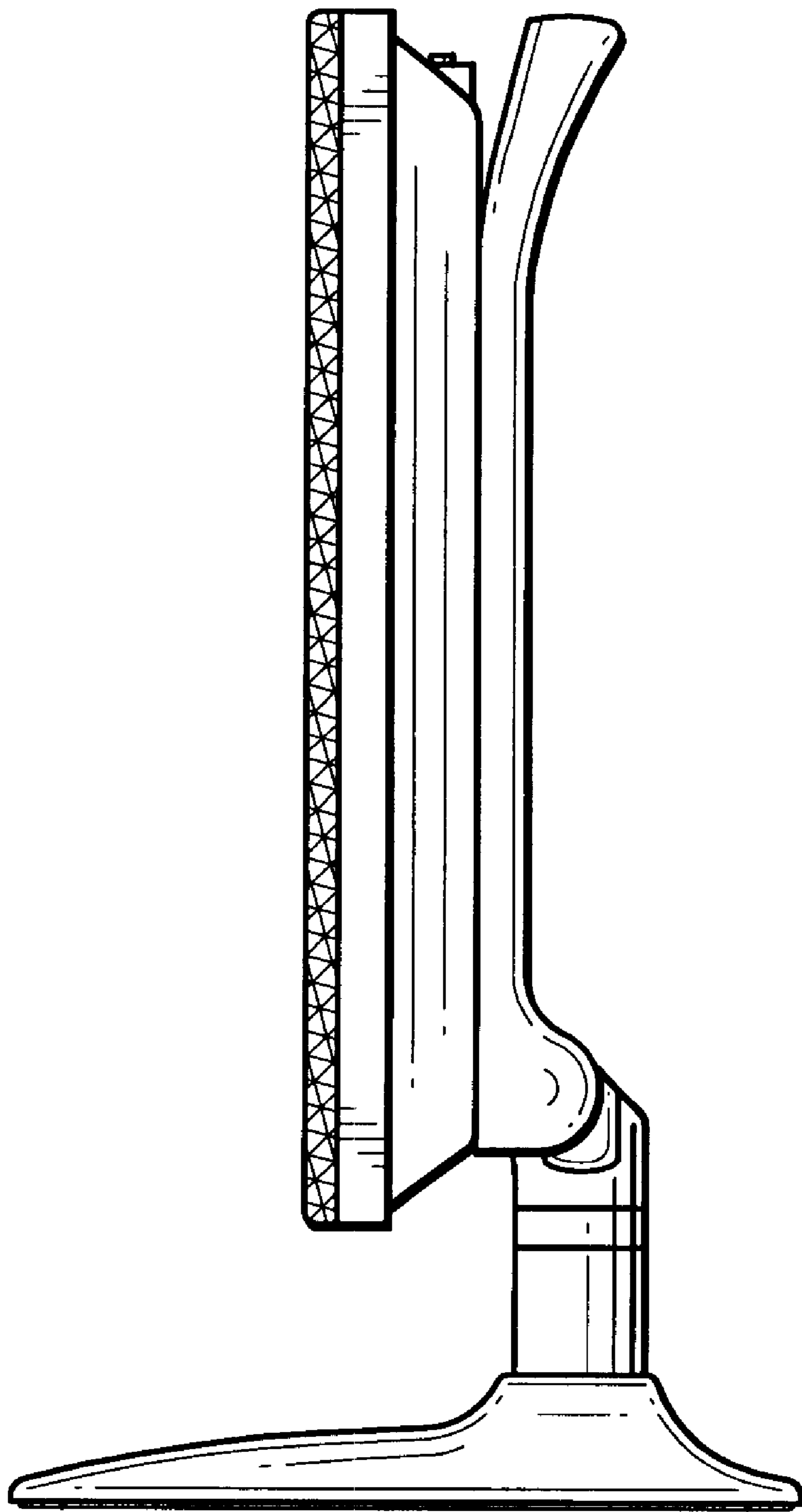


Fig.6

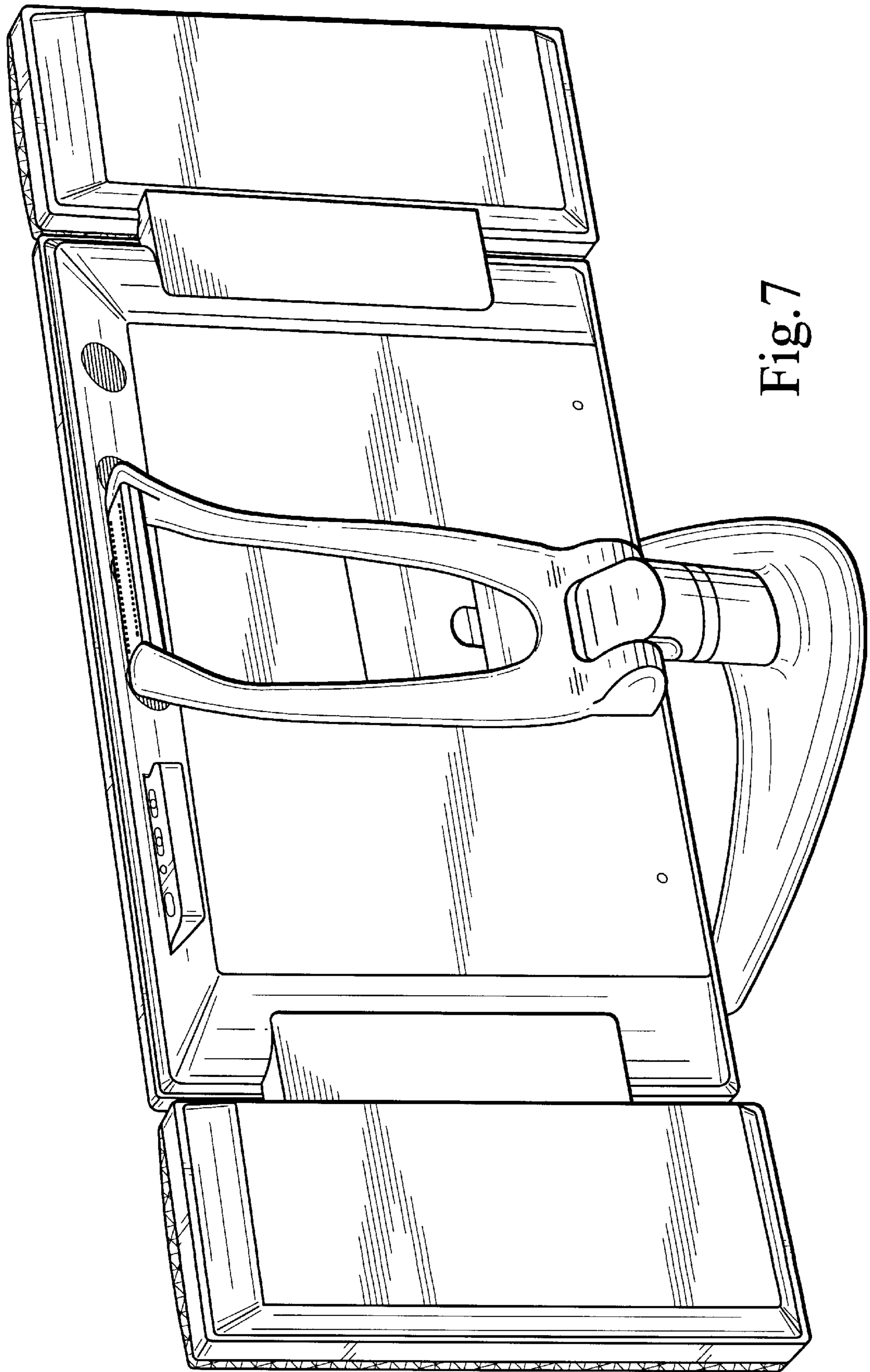


Fig. 7