

US00D453745S

(12) **United States Design Patent**
Suenaga

(10) **Patent No.:** **US D453,745 S**

(45) **Date of Patent:** **** Feb. 19, 2002**

(54) **LIGHT EMITTING DIODE**

(75) Inventor: **Ryoma Suenaga**, Tokushima (JP)

(73) Assignee: **Nichia Corporation**, Anan (JP)

(**) Term: **14 Years**

(21) Appl. No.: **29/124,827**

(22) Filed: **Jun. 13, 2000**

(30) **Foreign Application Priority Data**

| | | | |
|---------------|------|-------|----------|
| Dec. 27, 1999 | (JP) | | 11-36713 |
| Dec. 27, 1999 | (JP) | | 11-36714 |
| Dec. 27, 1999 | (JP) | | 11-36715 |
| Dec. 27, 1999 | (JP) | | 11-36716 |
| Dec. 27, 1999 | (JP) | | 11-36717 |

(51) **LOC (7) Cl.** **13-03**

(52) **U.S. Cl.** **D13/180**

(58) **Field of Search** D13/180, 182;
D10/104, 114; 36/137; 250/252.1; 257/88,
89, 91, 94, 98, 99; 264/1.7; 313/500, 290;
324/550; 361/104, 820; 362/152, 226, 249,
250, 235, 355, 516, 555; 438/26, 33; 439/57,
490, 557, 620

(56) **References Cited**

U.S. PATENT DOCUMENTS

D312,979 S * 12/1990 Oesterheld et al. D10/114

(List continued on next page.)

FOREIGN PATENT DOCUMENTS

| | | |
|----|----------|---------|
| JP | 984224 | 7/1997 |
| JP | 984224-1 | 10/1997 |
| JP | 1077515 | 7/2000 |

OTHER PUBLICATIONS

Catalog of a Light Emitting Diode NSCW215E, Nichia Corporation, Jul. 27, 1999.

Hyper Sideded White Hyper-Bright LED LWA673, Osram Jun. 7, 1999.

Primary Examiner—Ted Shooman

Assistant Examiner—Daniel Bui

(74) *Attorney, Agent, or Firm*—Burns, Doane, Swecker & Mathis, LLP

(57) **CLAIM**

The ornamental design for a, light emitting diode, as shown and described.

DESCRIPTION

FIG. 1 is a front elevational view of a light emitting diode showing my new design;

FIG. 2 is a rear elevational view thereof;

FIG. 3 is a top plan view thereof;

FIG. 4 is a bottom plan view thereof;

FIG. 5 is a right side elevational view thereof;

FIG. 6 is a left side elevational view thereof;

FIG. 7 is a front perspective view thereof;

FIG. 8 is a rear perspective view thereof;

FIG. 9 is a front elevational view of a second embodiment of a light emitting diode showing my new design:

FIG. 10 is a rear elevational view thereof;

FIG. 11 is a top plan view thereof;

FIG. 12 is a bottom plan view thereof;

FIG. 13 is a right side elevational view thereof;

FIG. 14 is a left side elevational view thereof;

FIG. 15 is a front perspective view thereof;

FIG. 16 is a rear perspective view thereof;

FIG. 17 is a front elevational view of a third embodiment of a light emitting diode showing my new design:

FIG. 18 is a rear elevational view thereof;

FIG. 19 is a top plan view thereof;

FIG. 20 is a bottom plan view thereof;

FIG. 21 is a right side elevational view thereof;

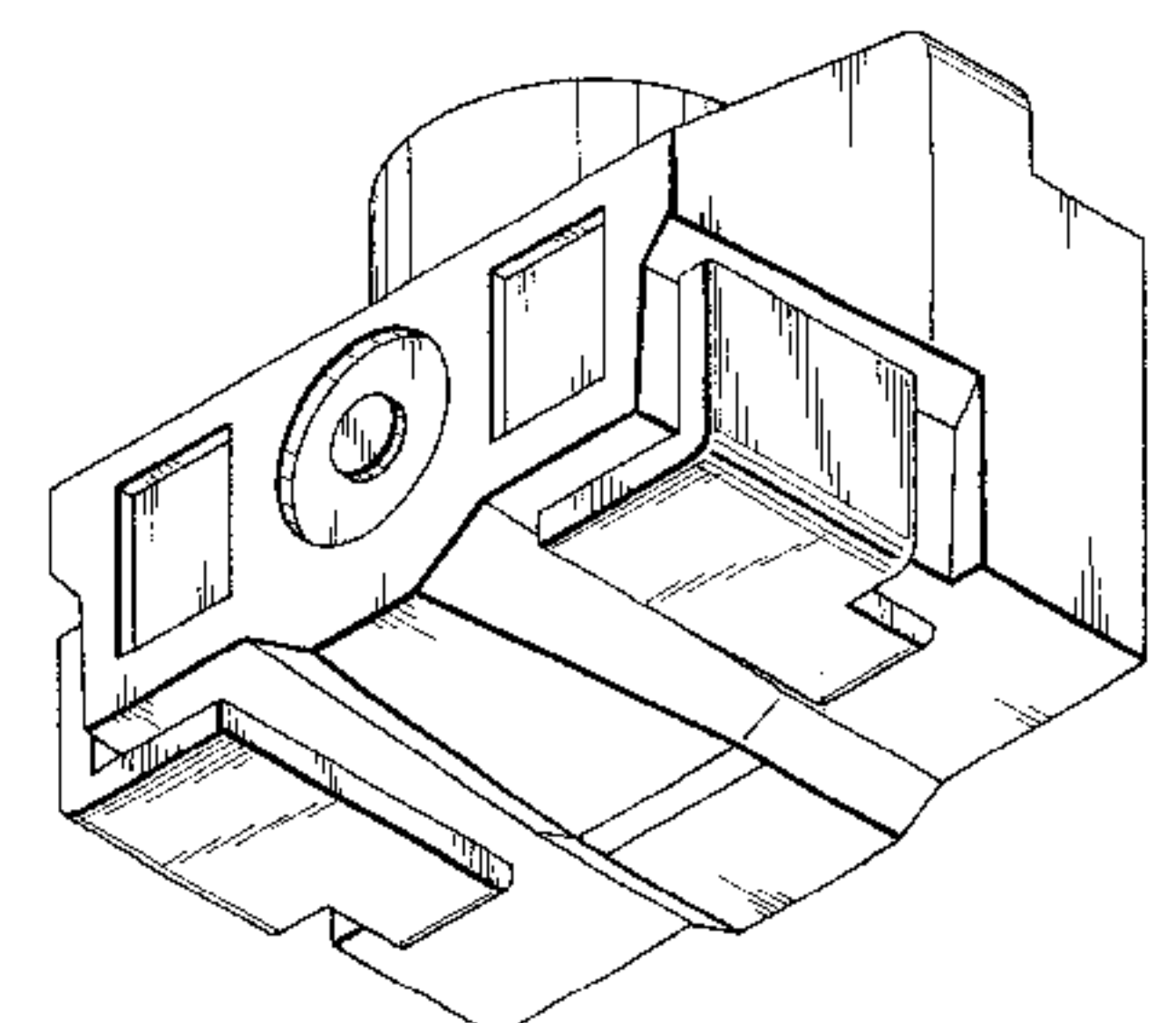
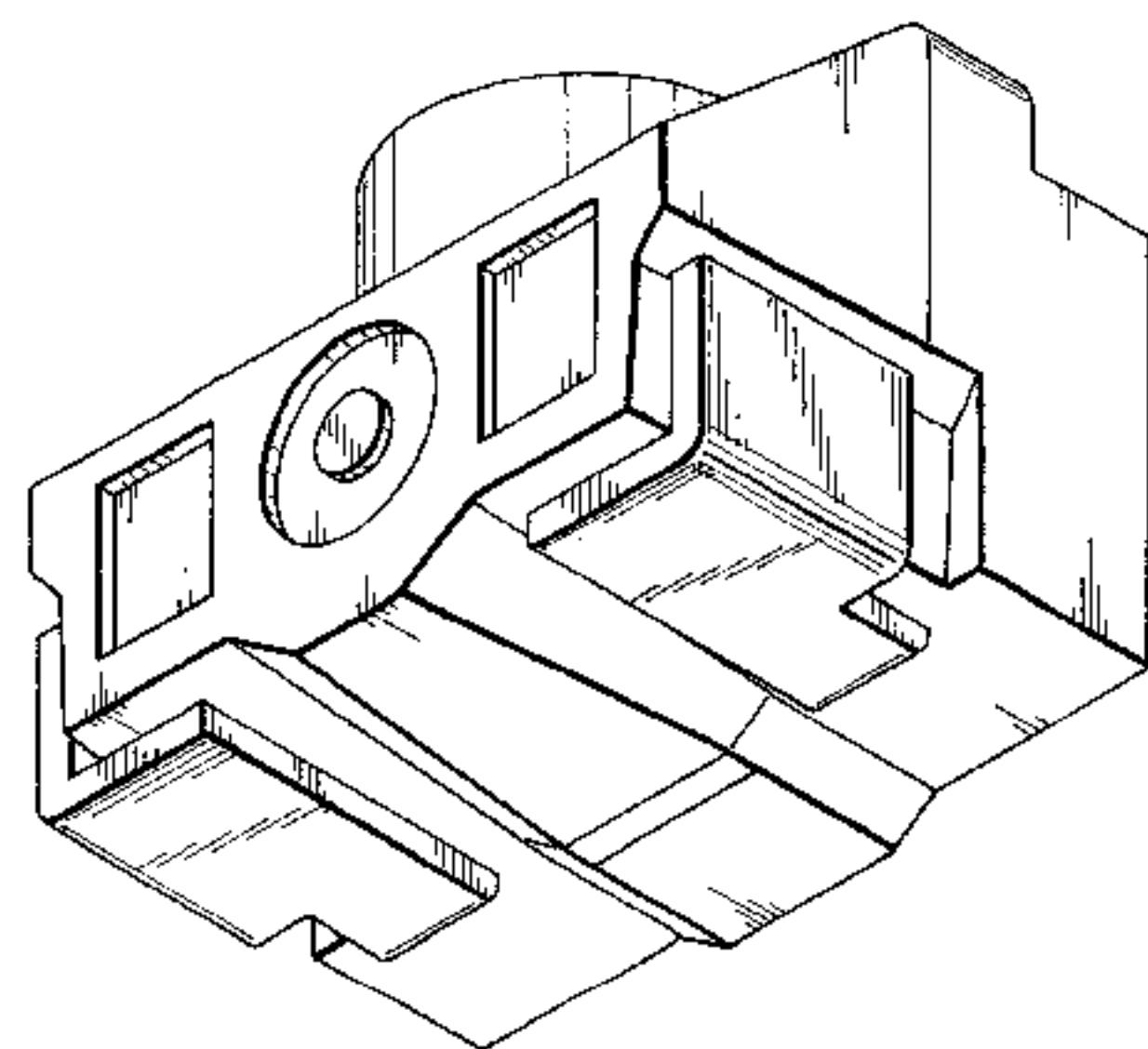
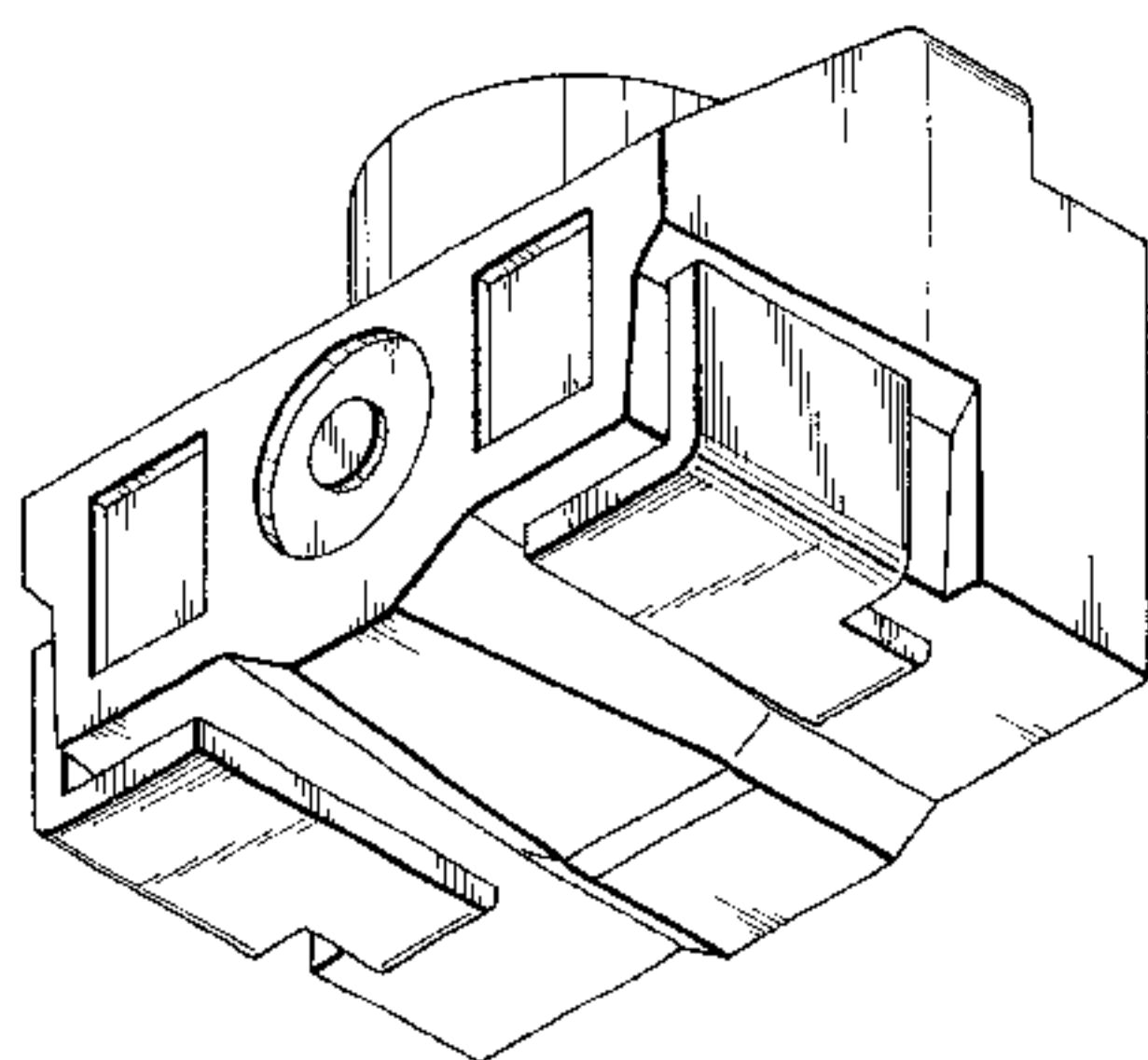
FIG. 22 is a left side elevational view thereof;

FIG. 23 is a front perspective view thereof; and,

FIG. 24 is a rear perspective view thereof.

The broken lines are shown in the views for illustrative purposes only, and form no part of the claimed design.

1 Claim, 9 Drawing Sheets



US D453,745 S

Page 2

U.S. PATENT DOCUMENTS

| | | | | | | | |
|---------------|--------|---------------------|---------|---------------|--------|-------------------------|---------|
| 5,045,895 A * | 9/1991 | Yoshida et al. | 357/17 | 5,915,993 A * | 6/1999 | Belopolskyb et al. | 439/490 |
| 5,094,628 A * | 3/1992 | Kano | 439/620 | D437,798 S * | 2/2001 | Kiba et al. | D10/104 |
| D350,493 S * | 9/1994 | Gottlieb | D10/104 | | | | |

* cited by examiner

Fig. 1

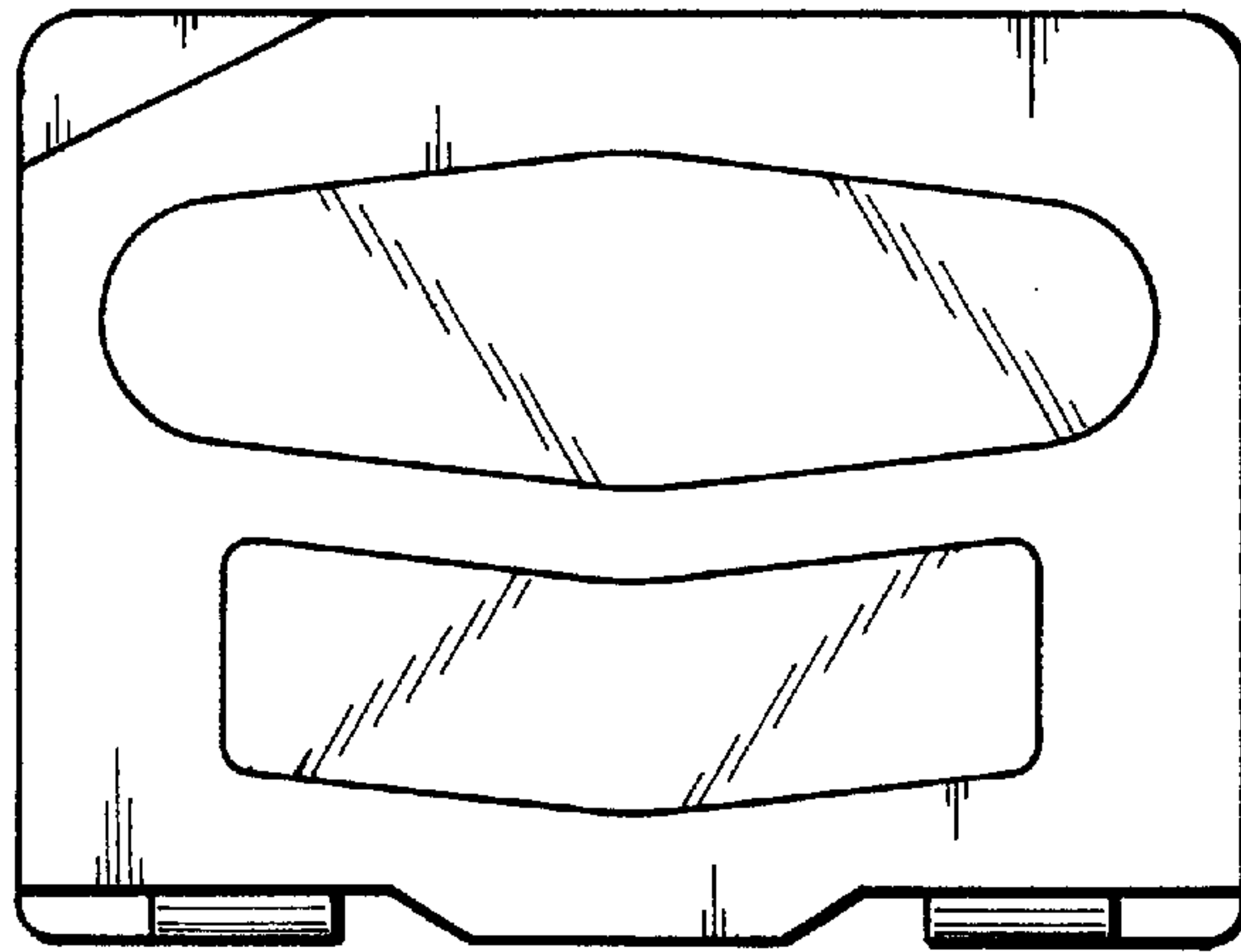


Fig. 2

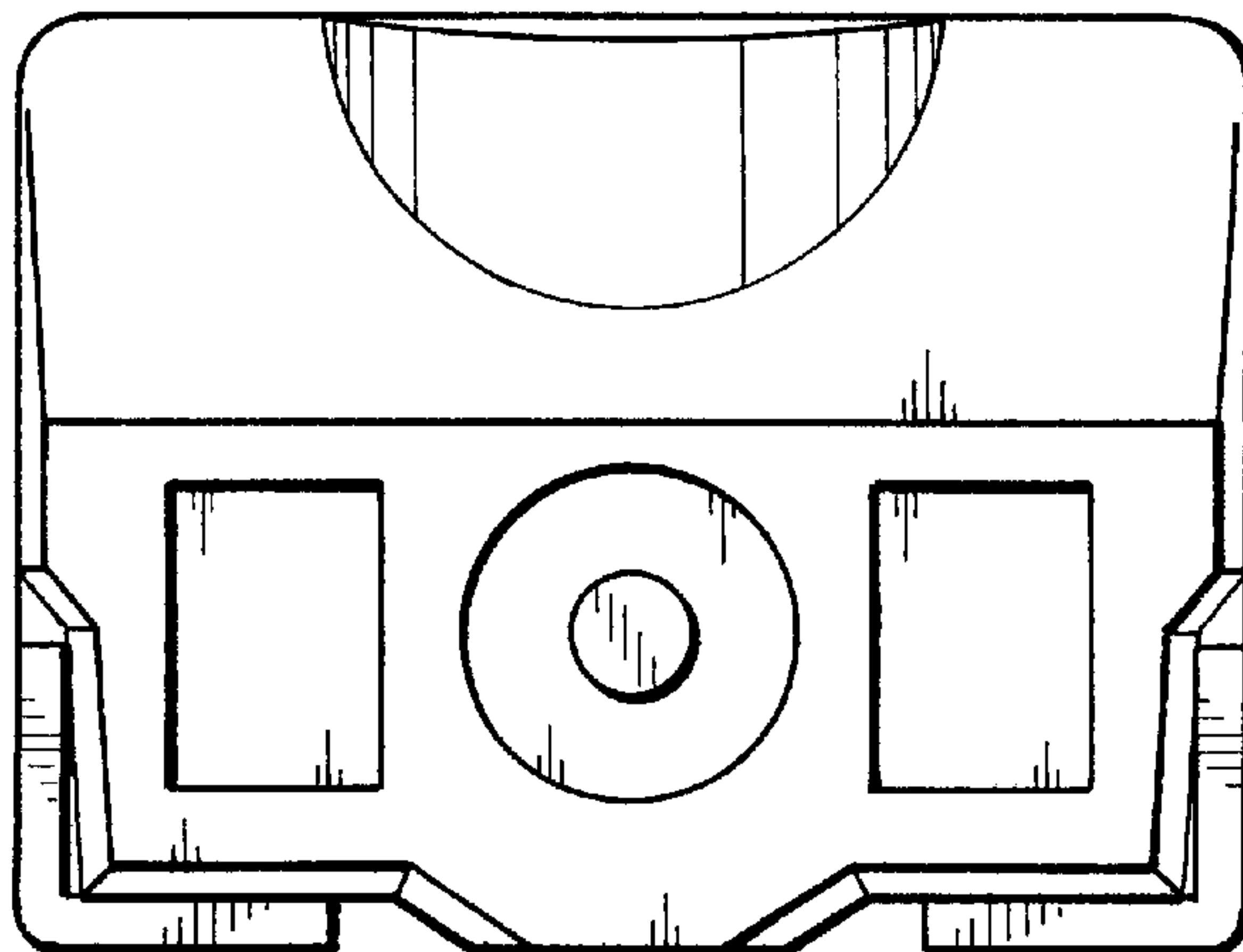


Fig. 3

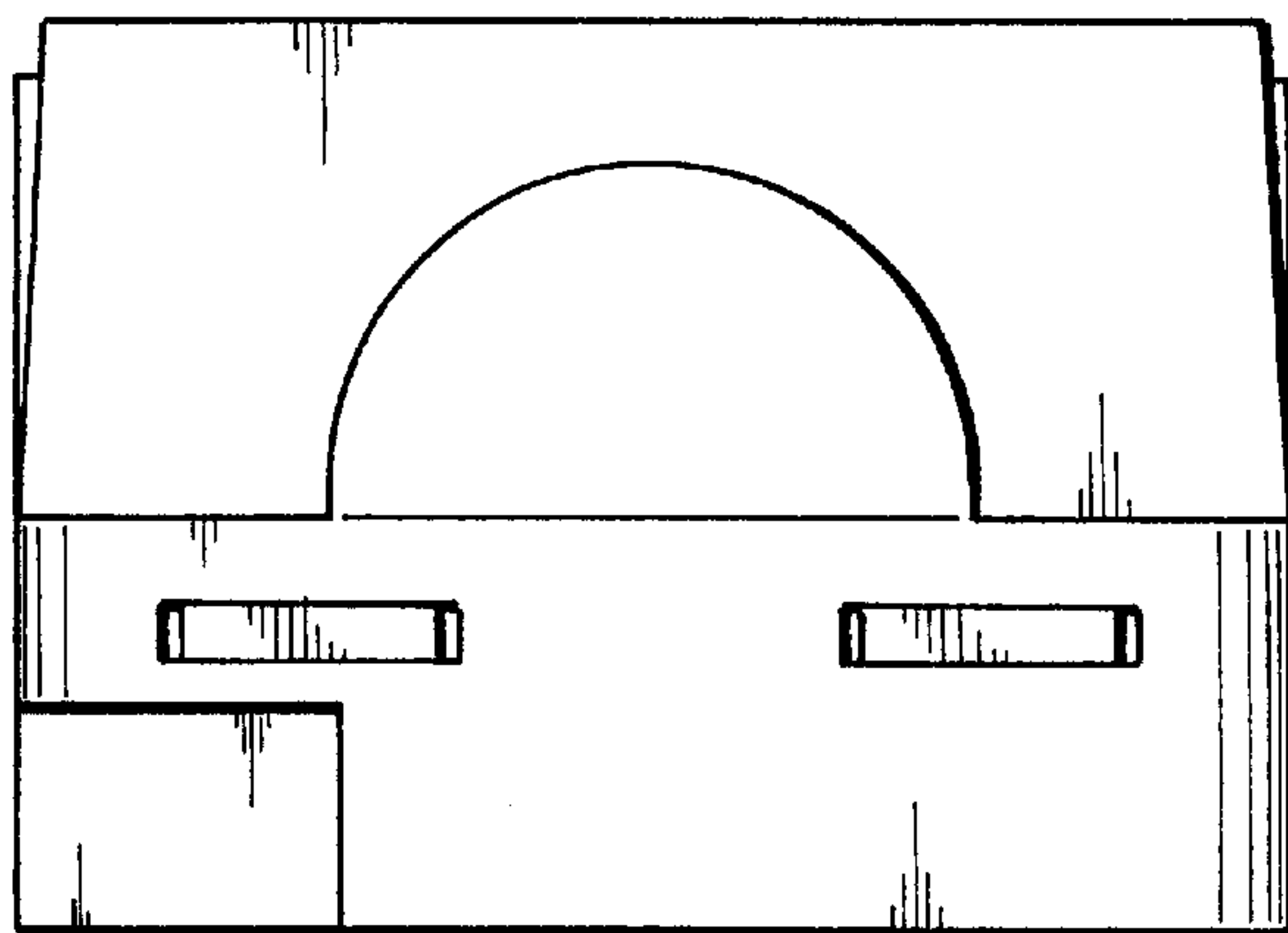


Fig. 4

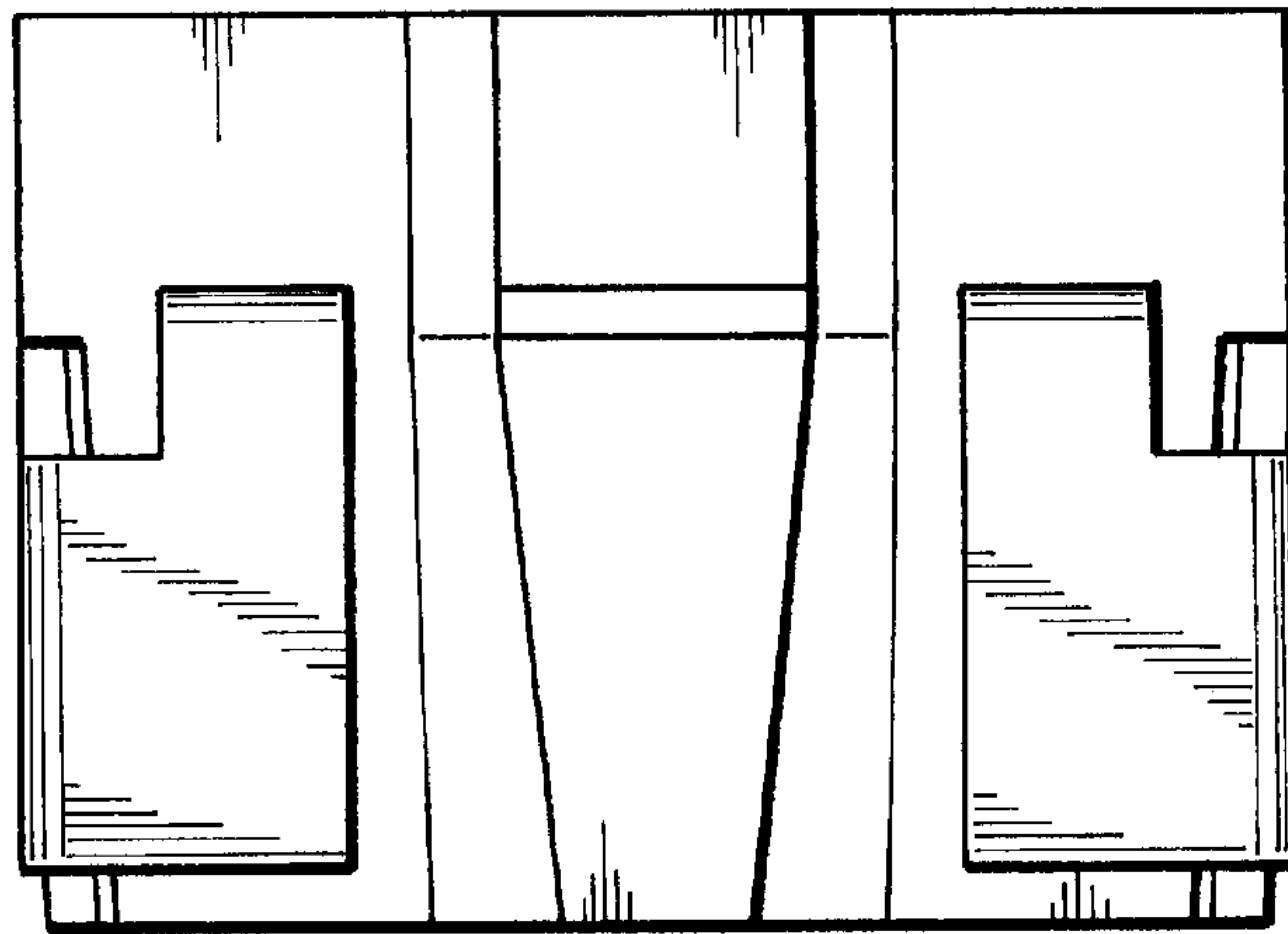


Fig. 5

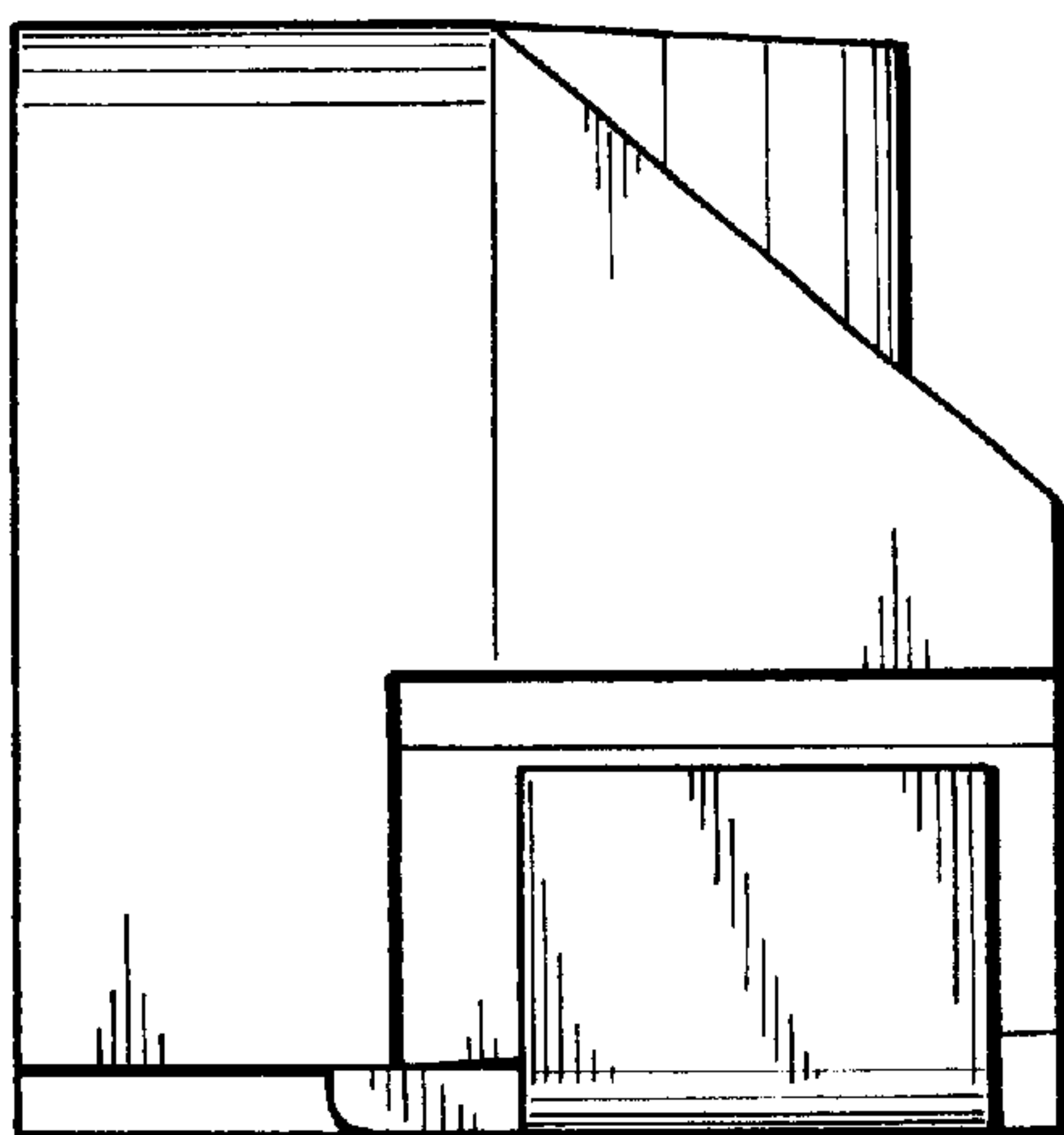


Fig. 6

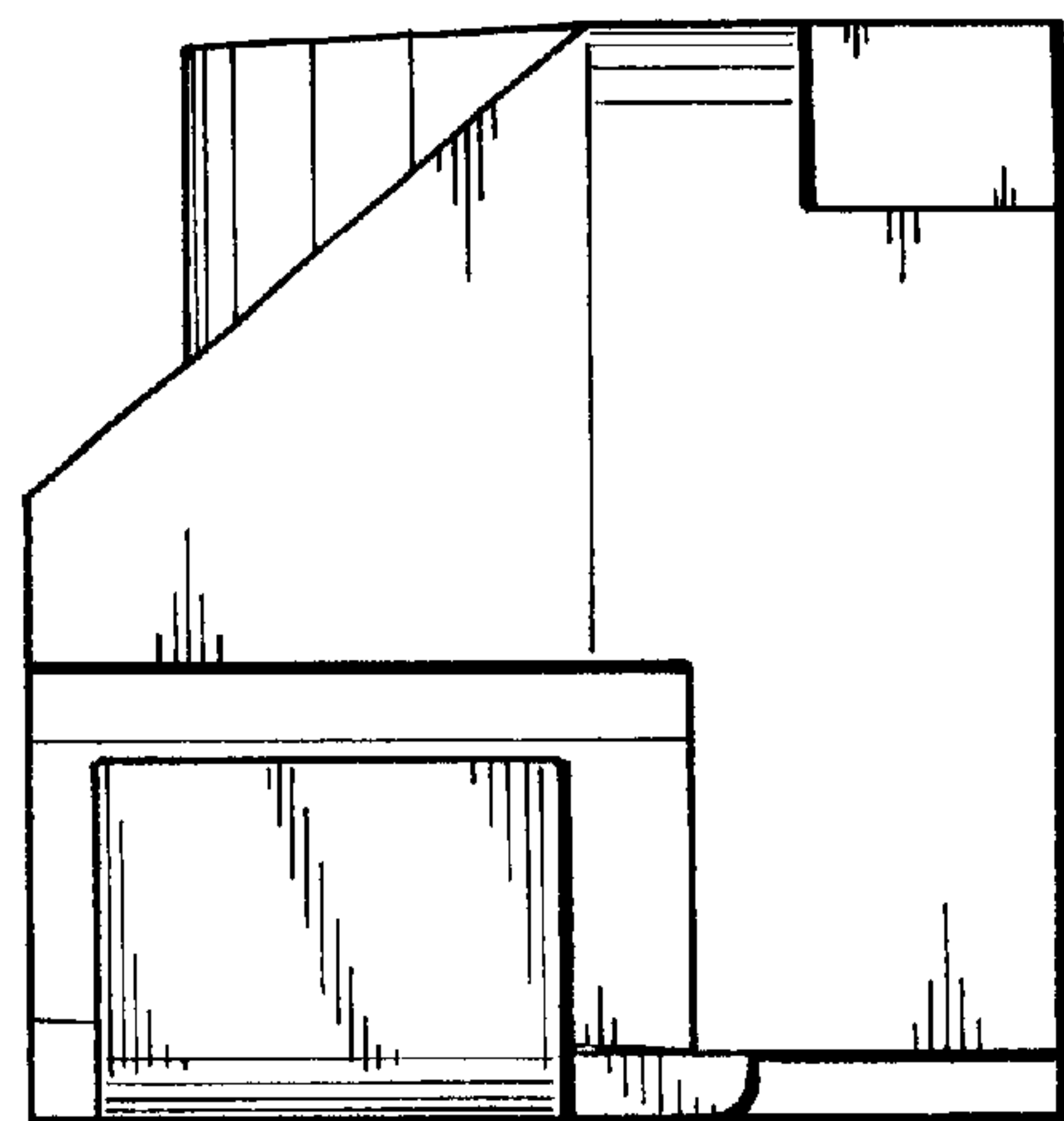


Fig. 7

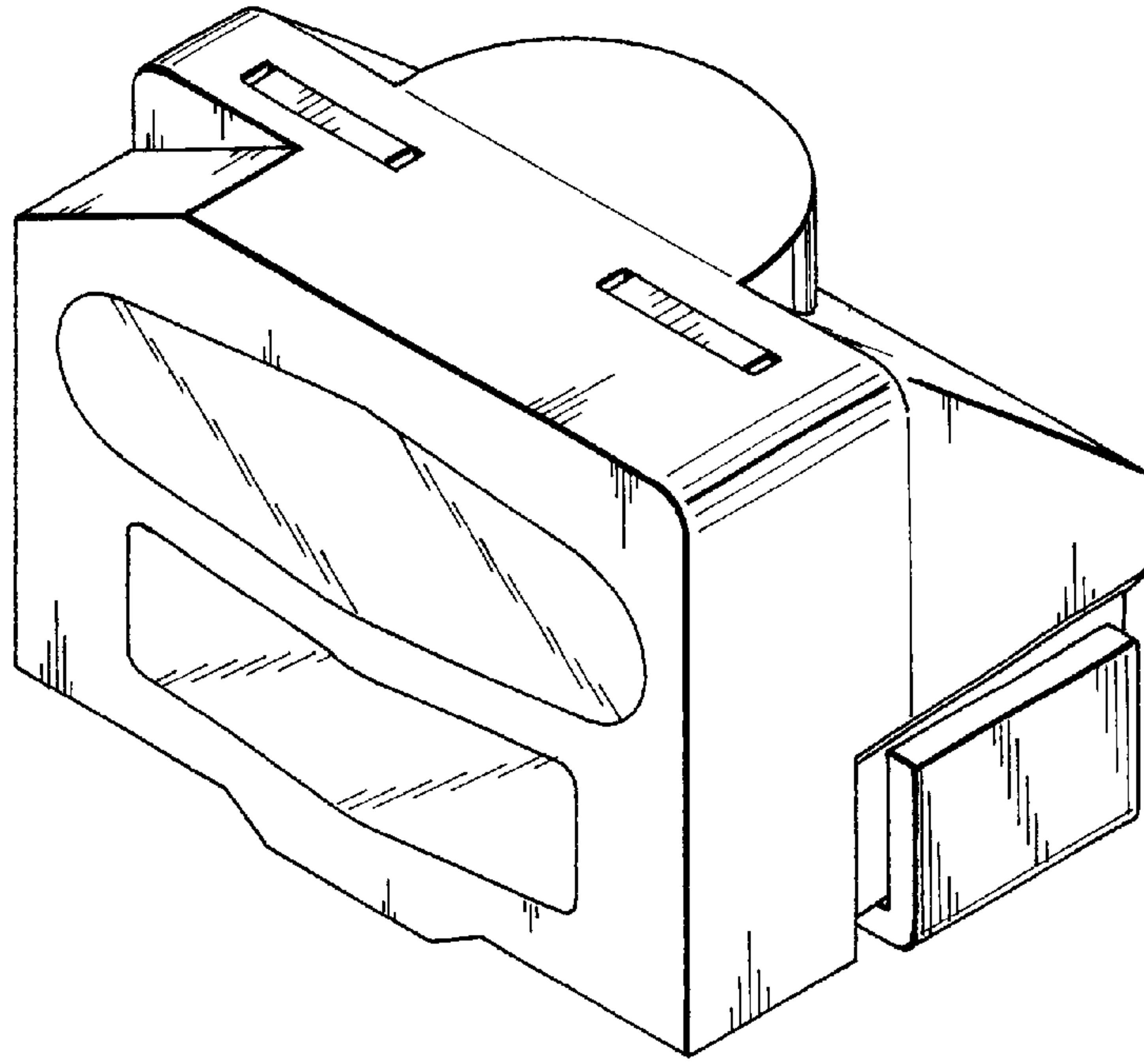


Fig. 8

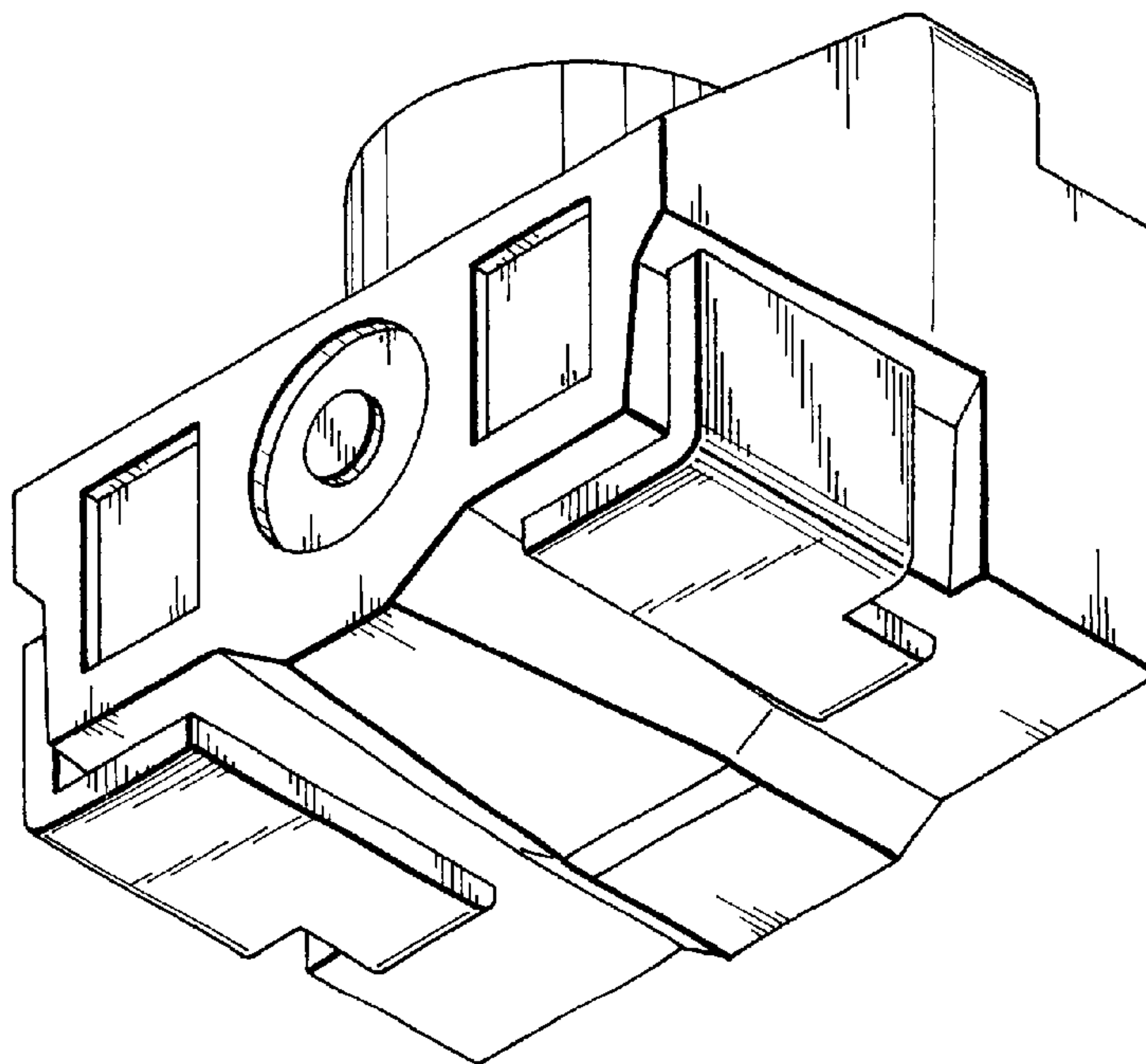


Fig. 9

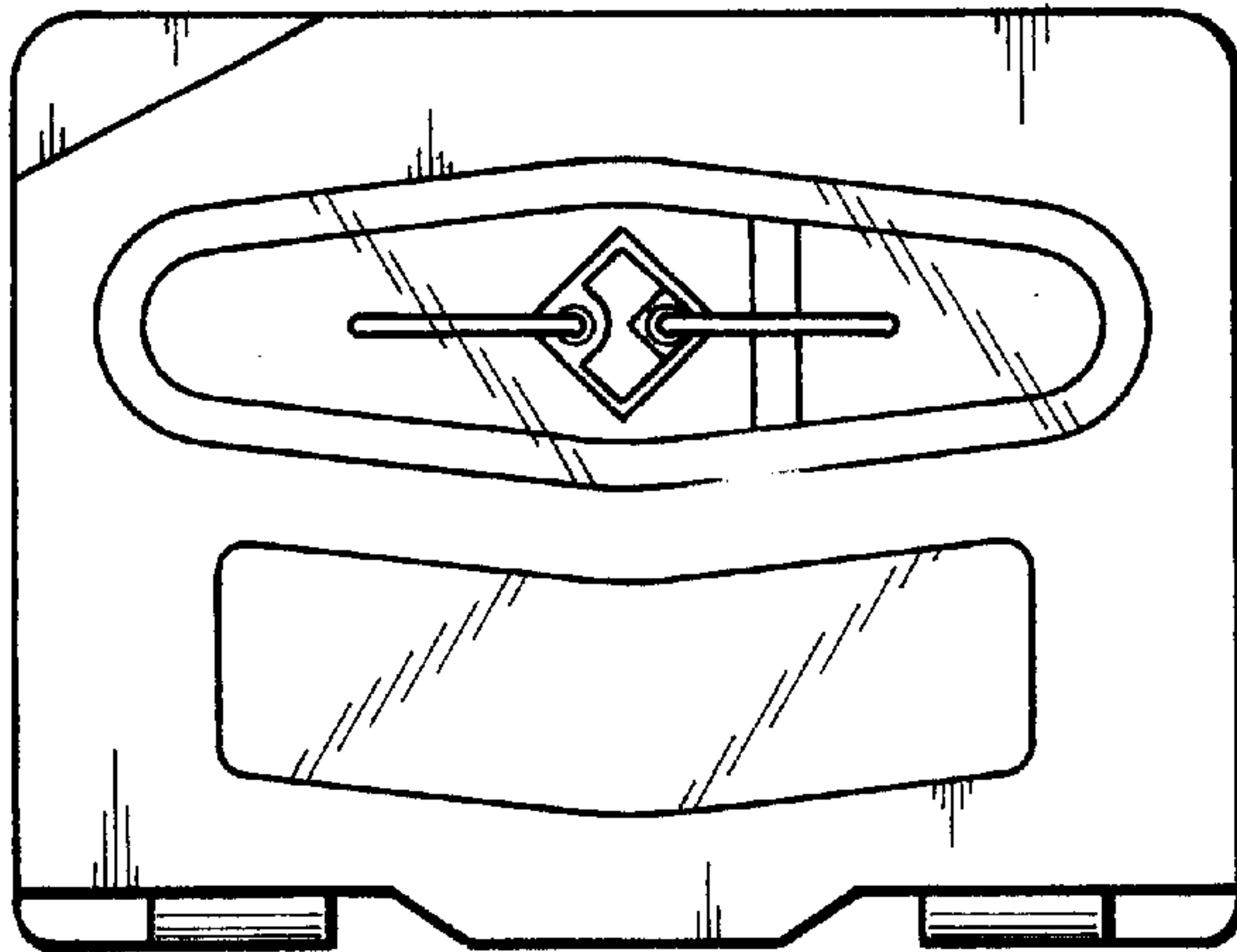


Fig. 10

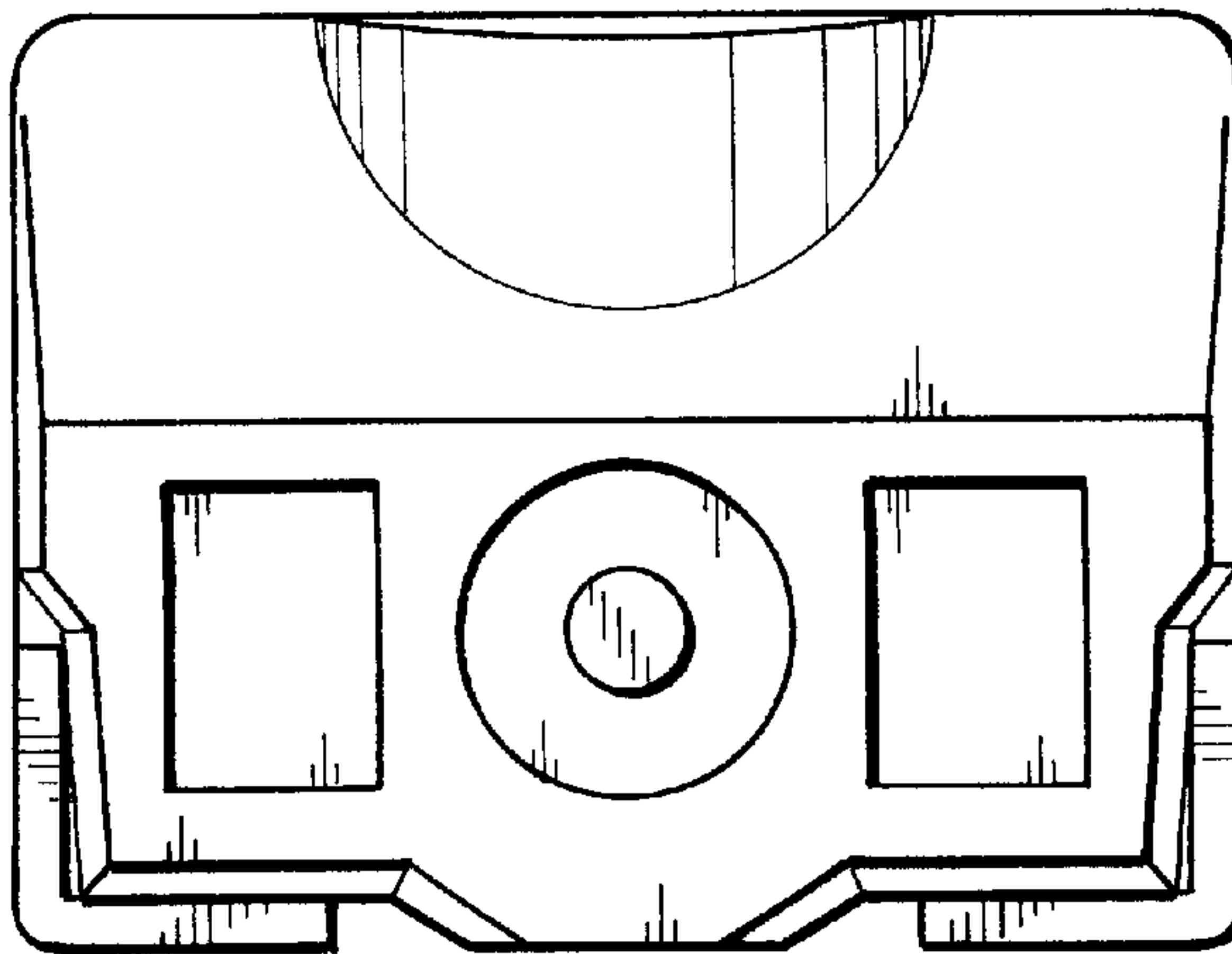


Fig. 11

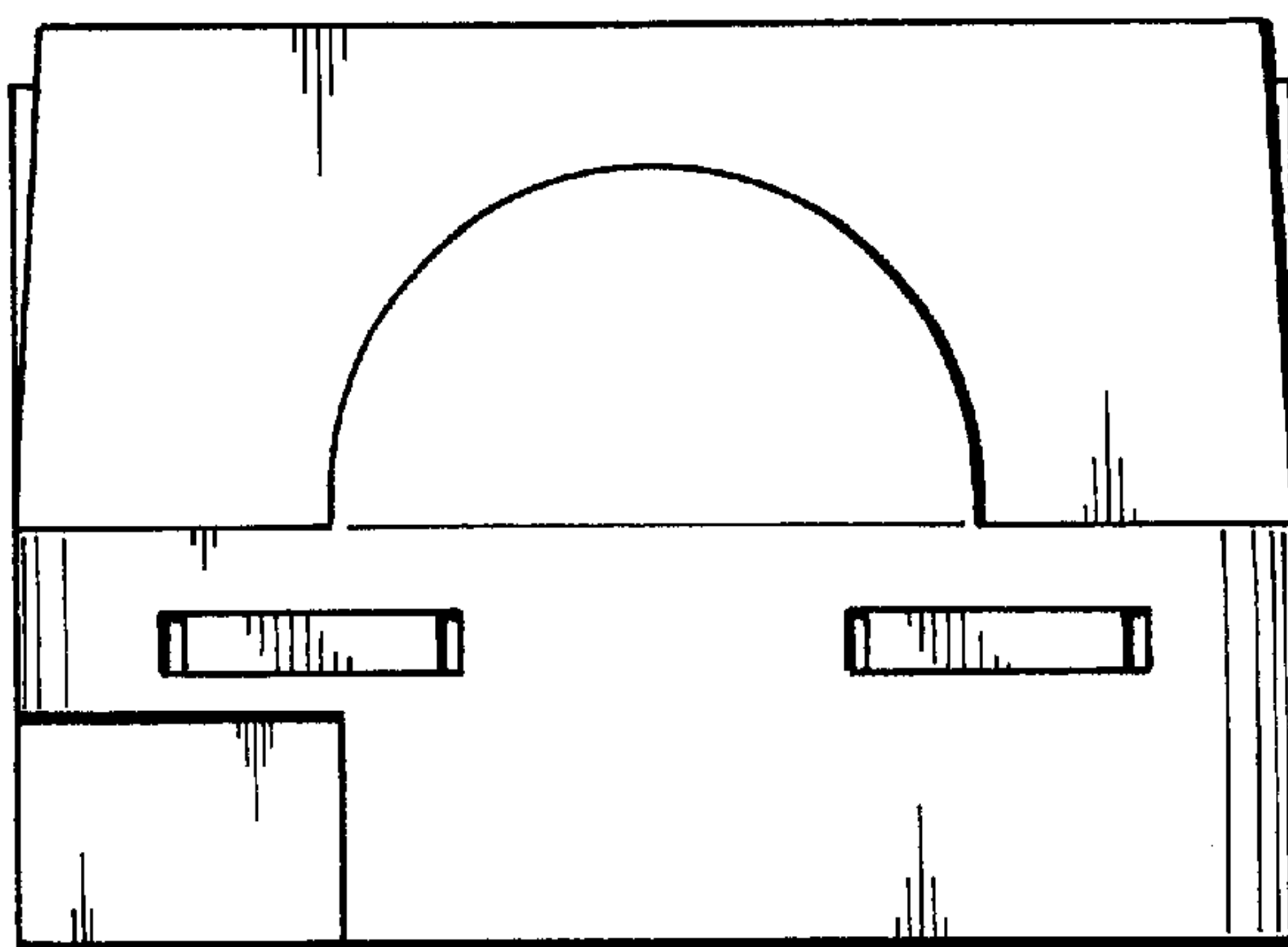


Fig. 12

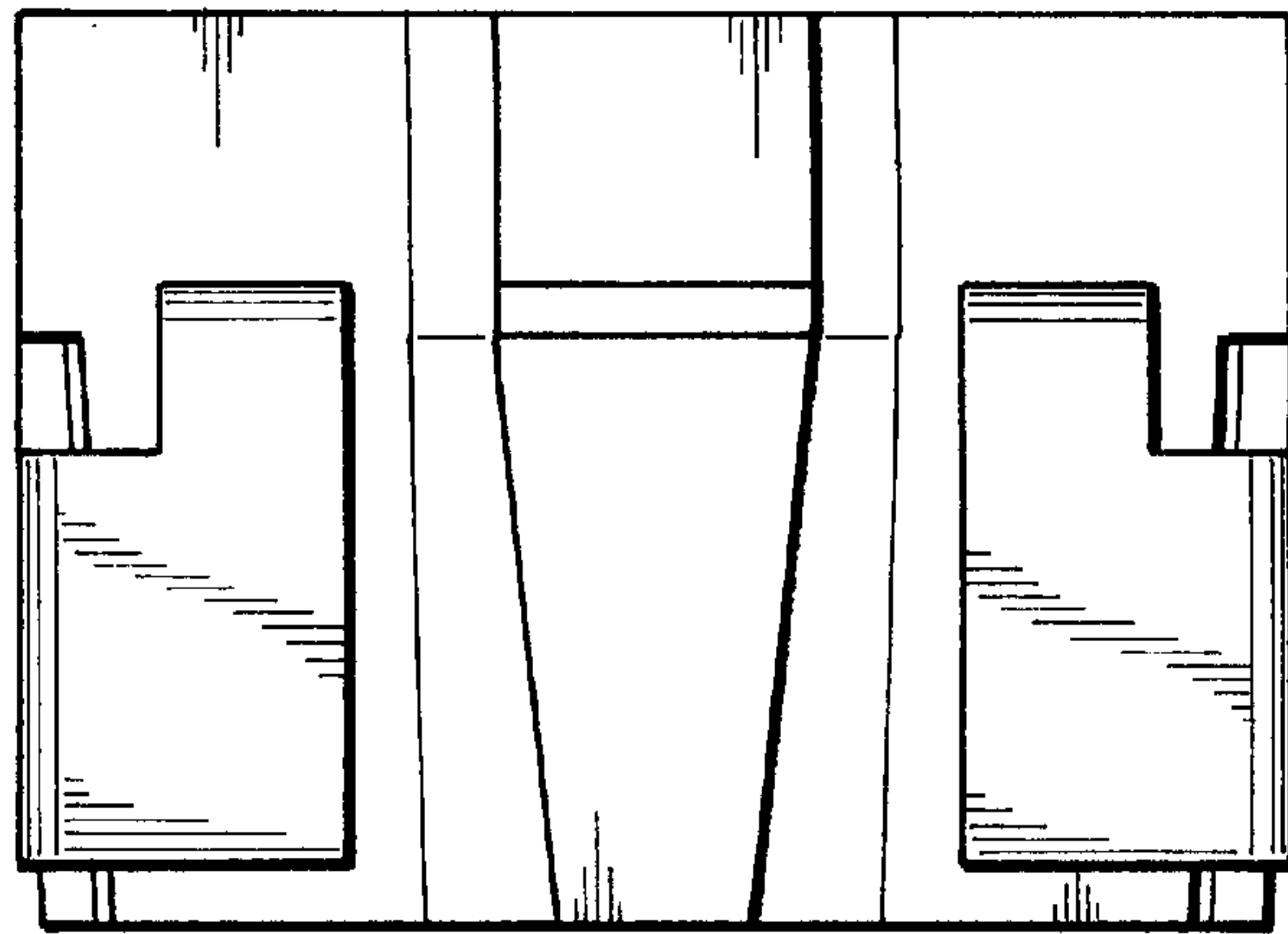


Fig. 13

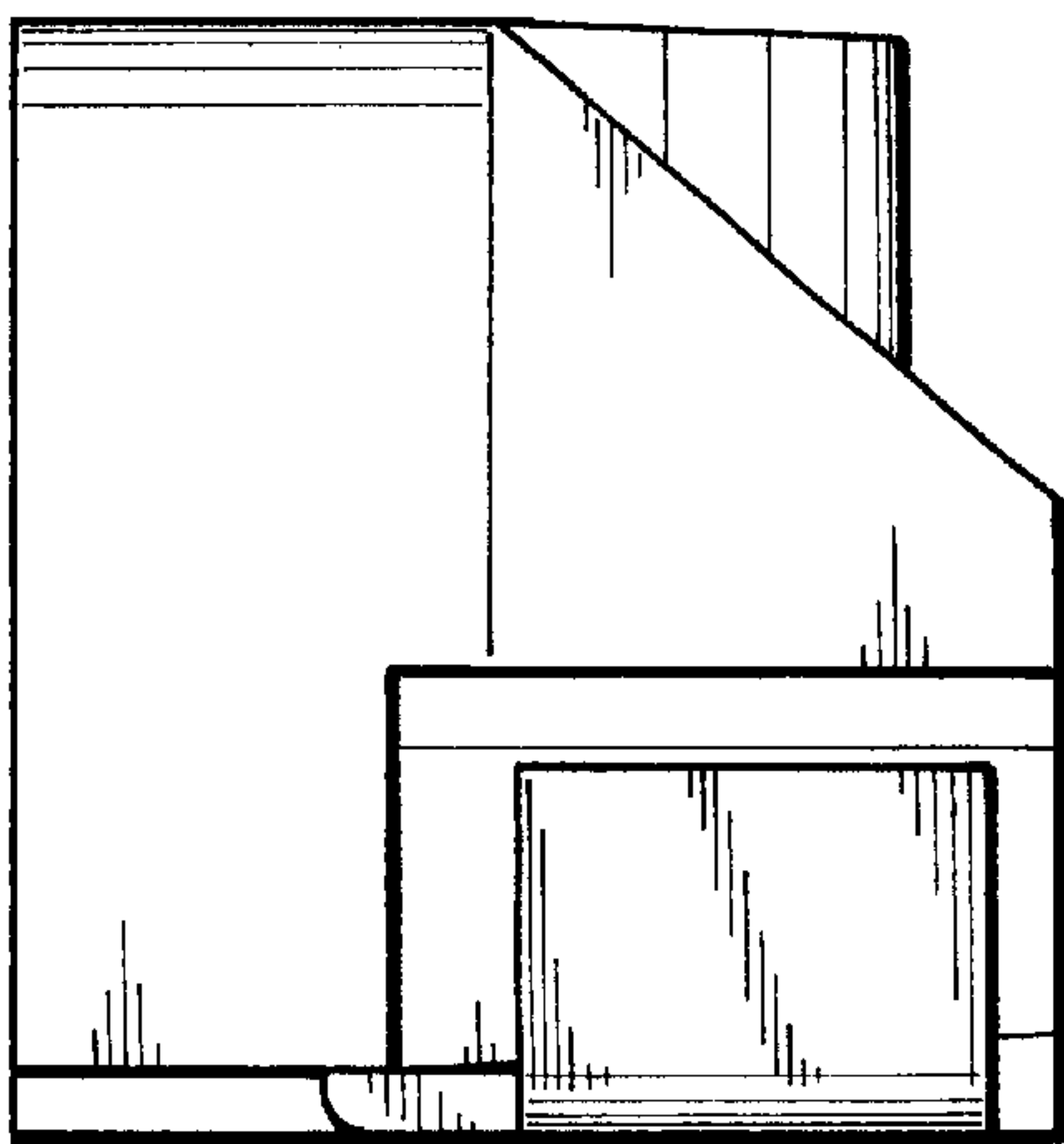


Fig. 14

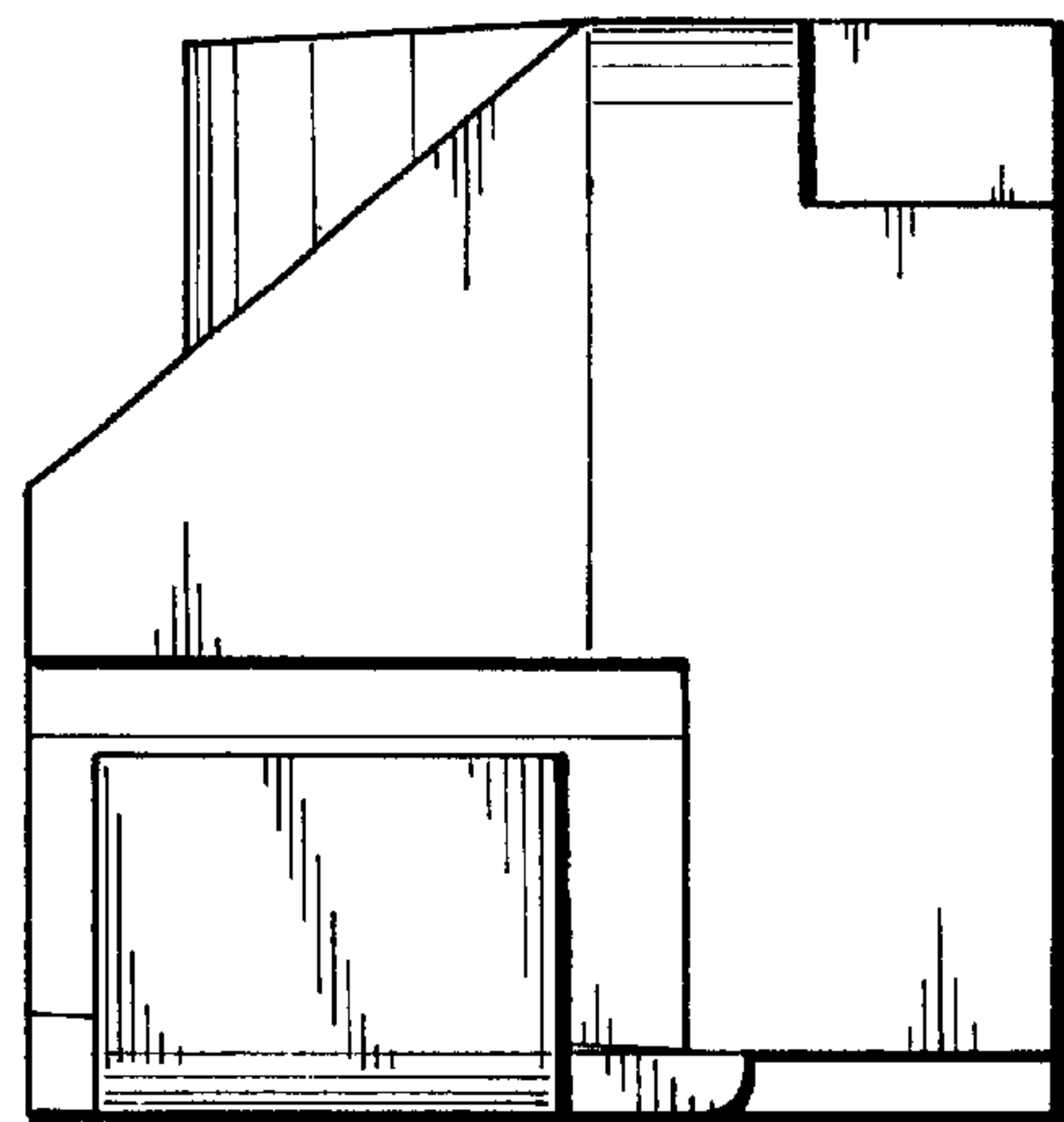


Fig. 15

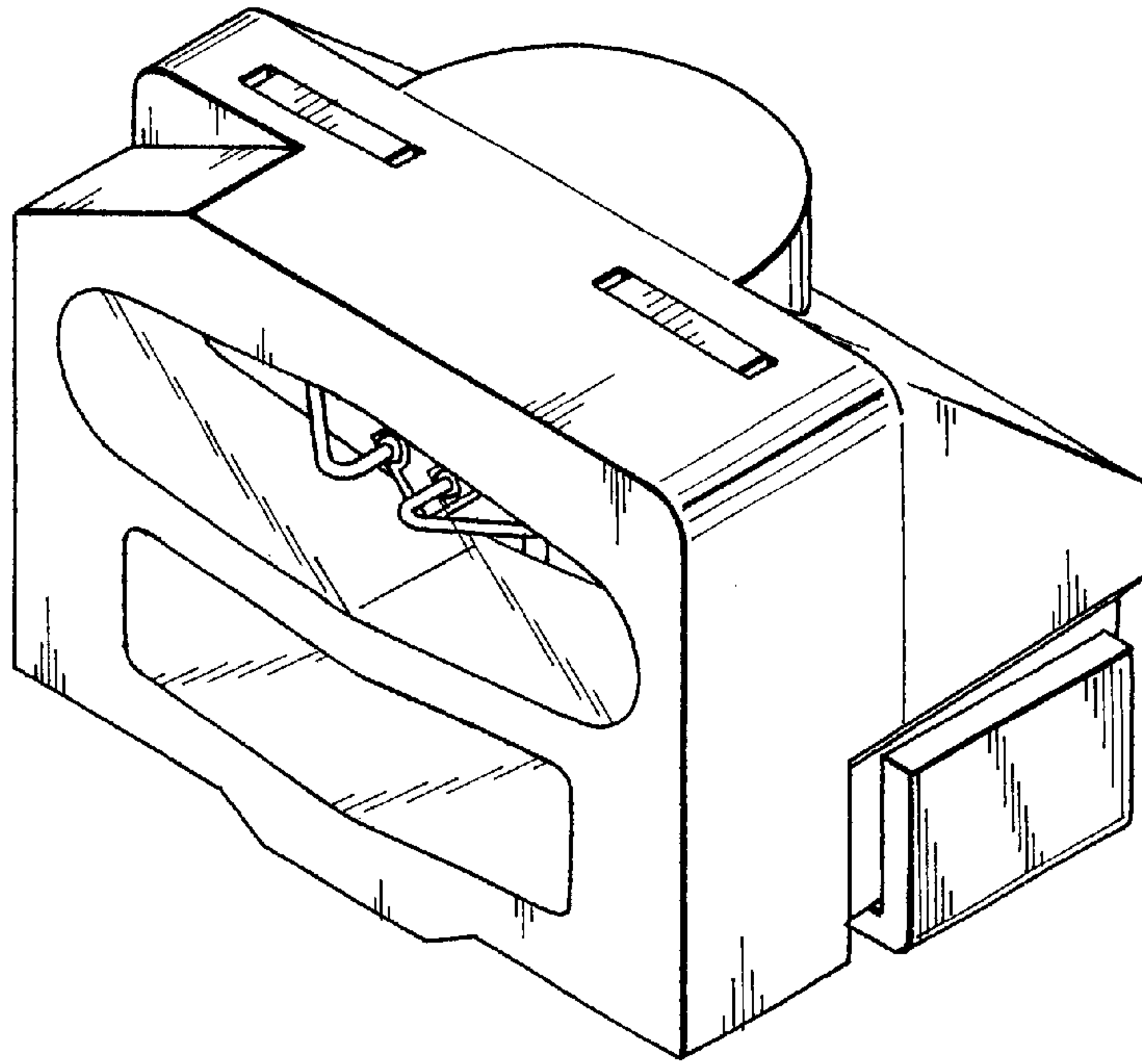


Fig. 16

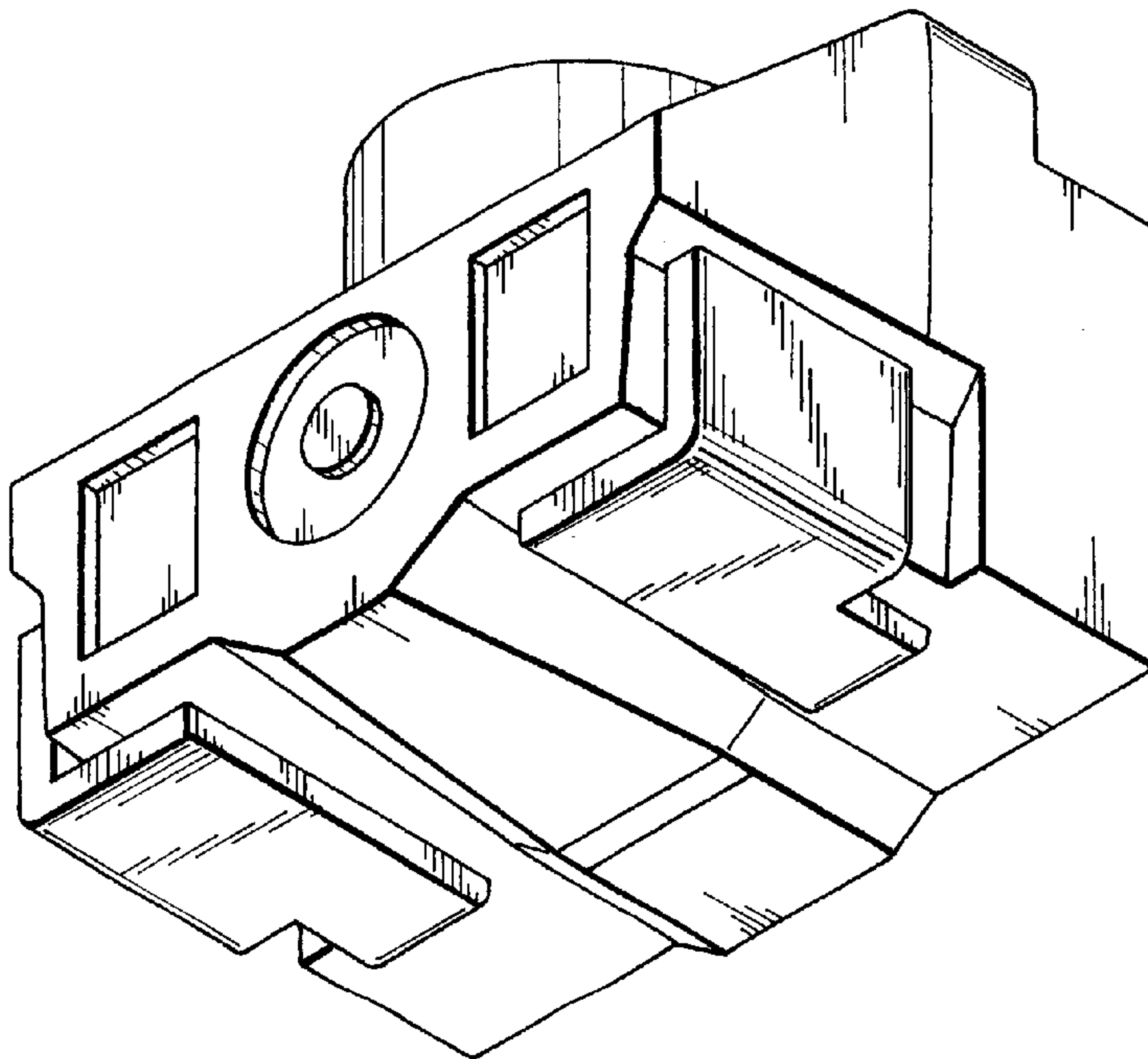


Fig. 17

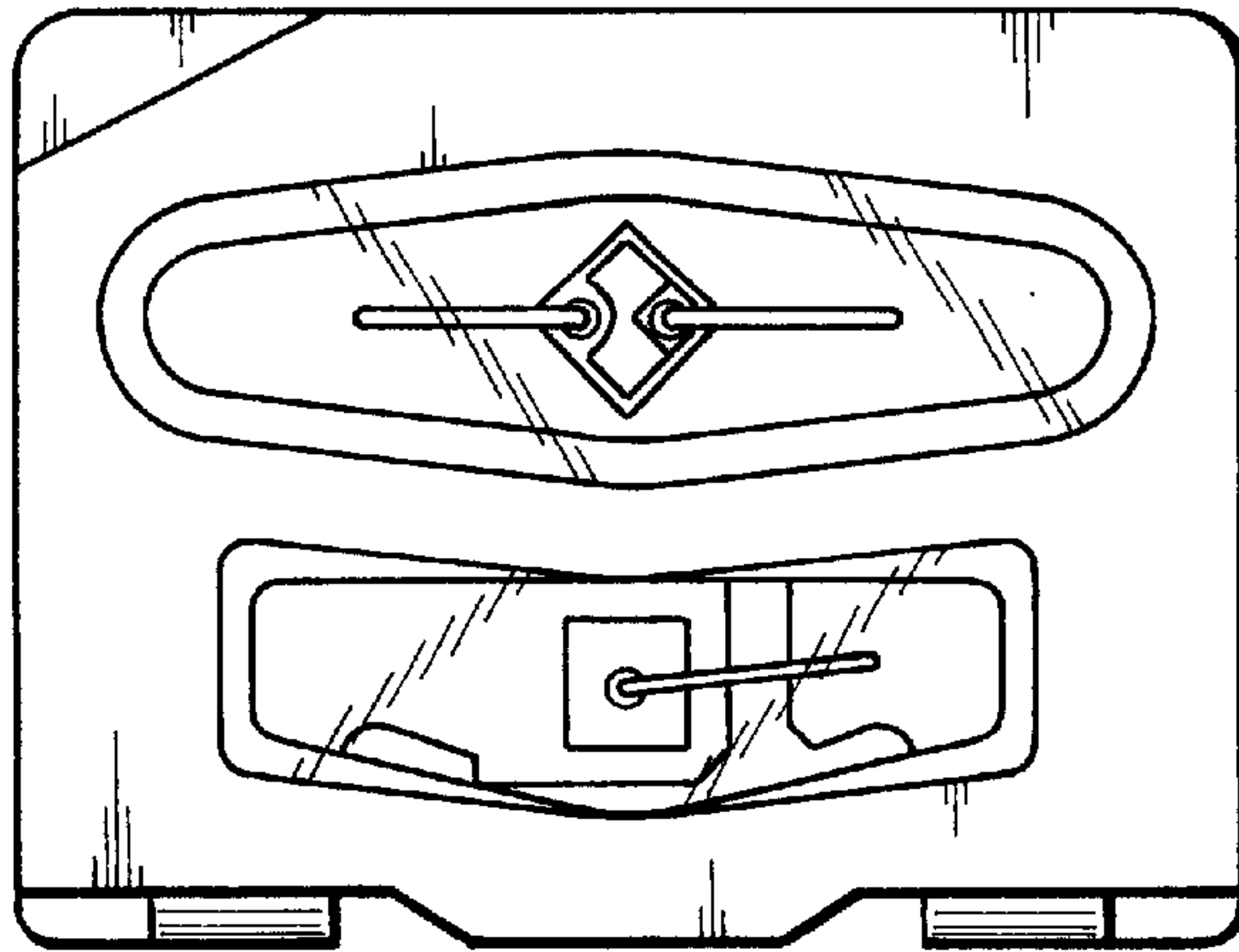


Fig. 18

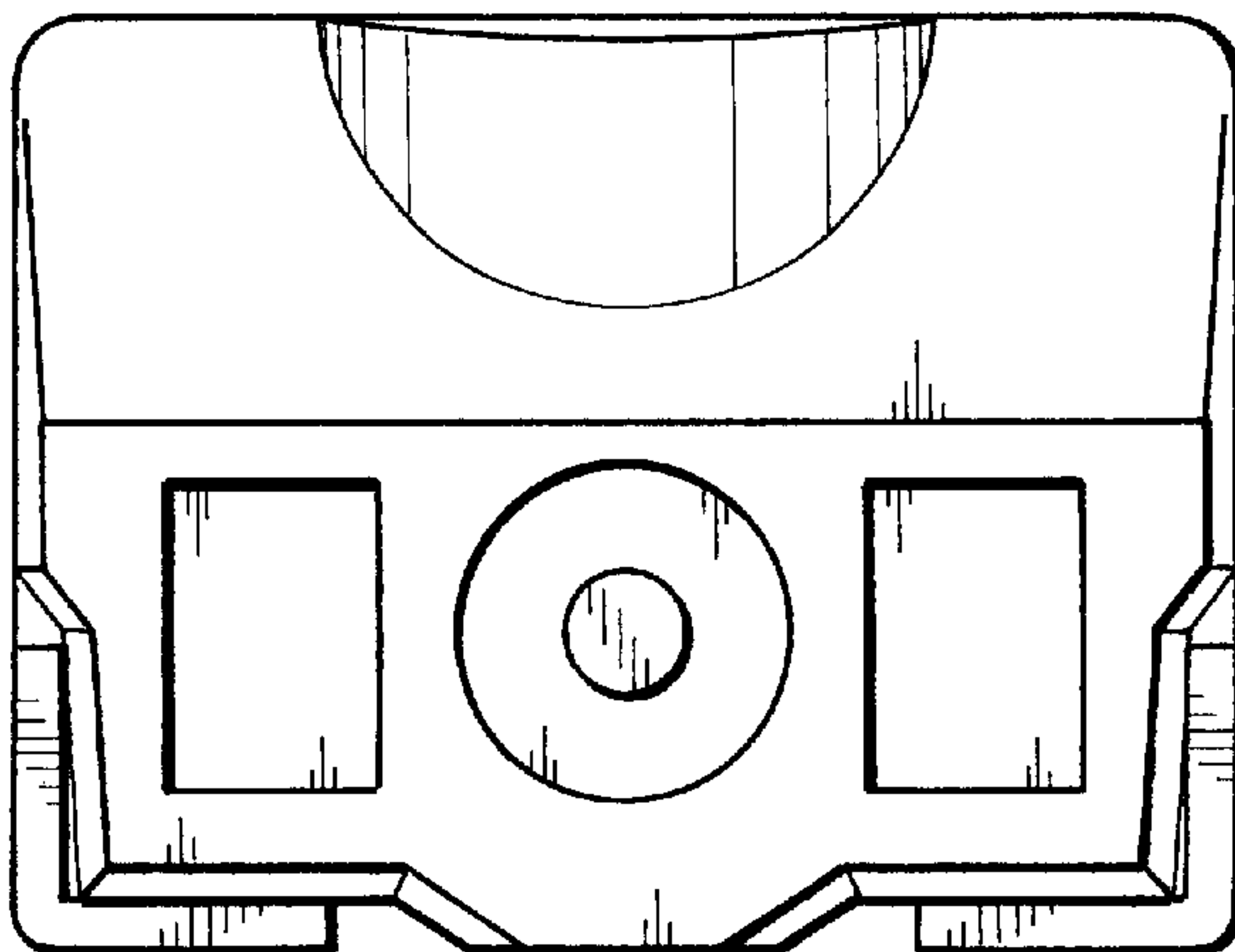


Fig. 19

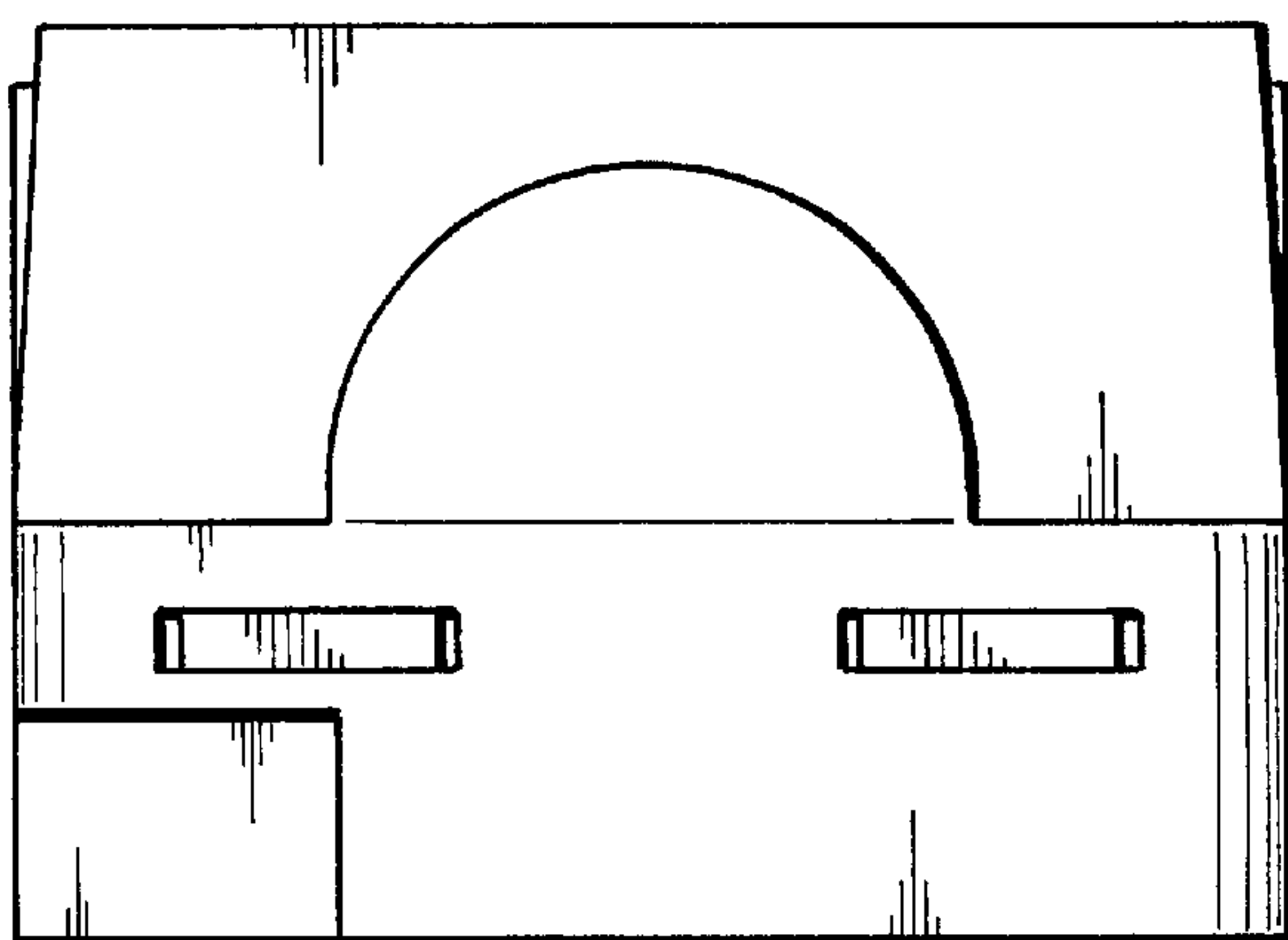


Fig. 20

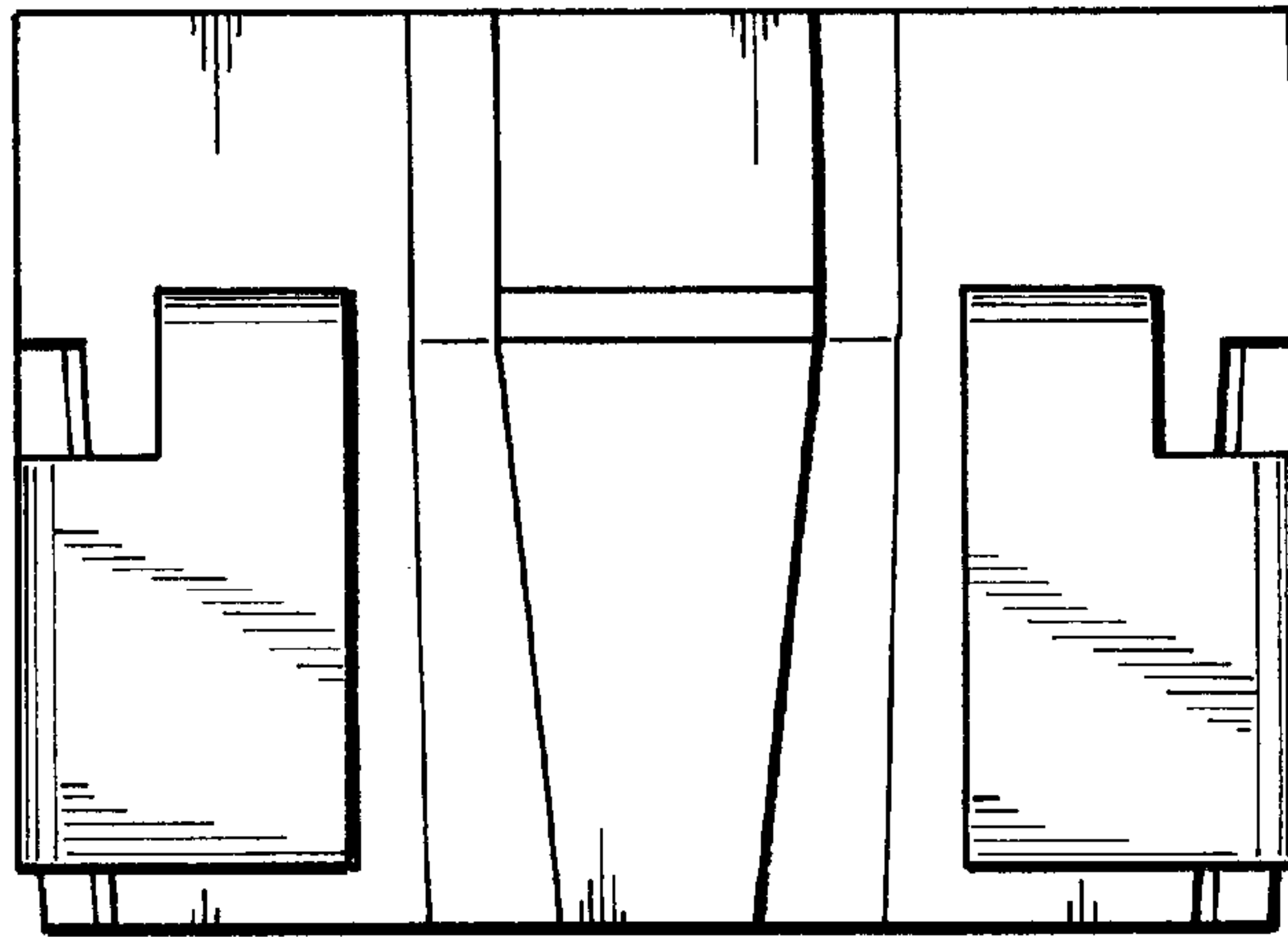


Fig. 21

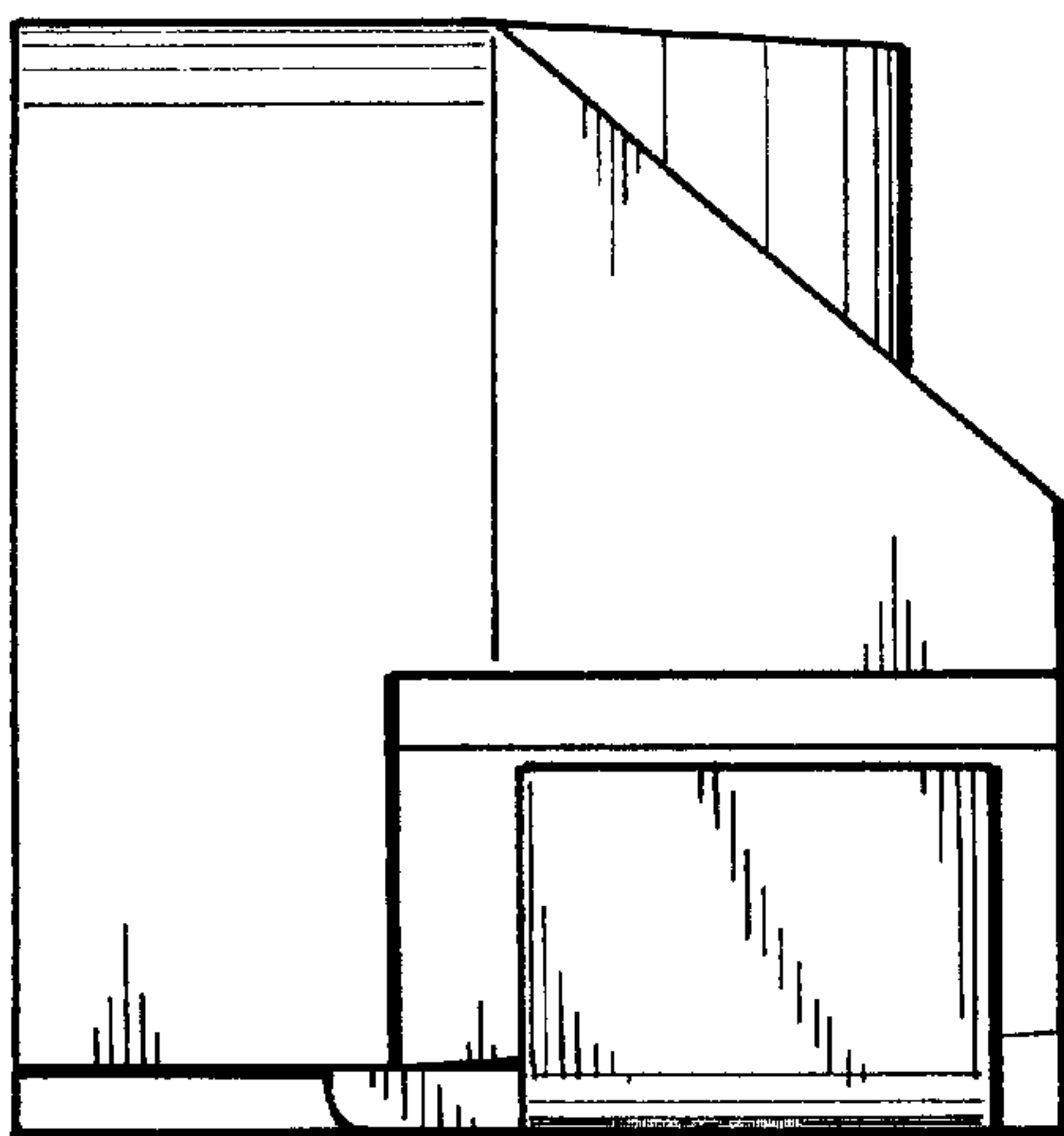


Fig. 22

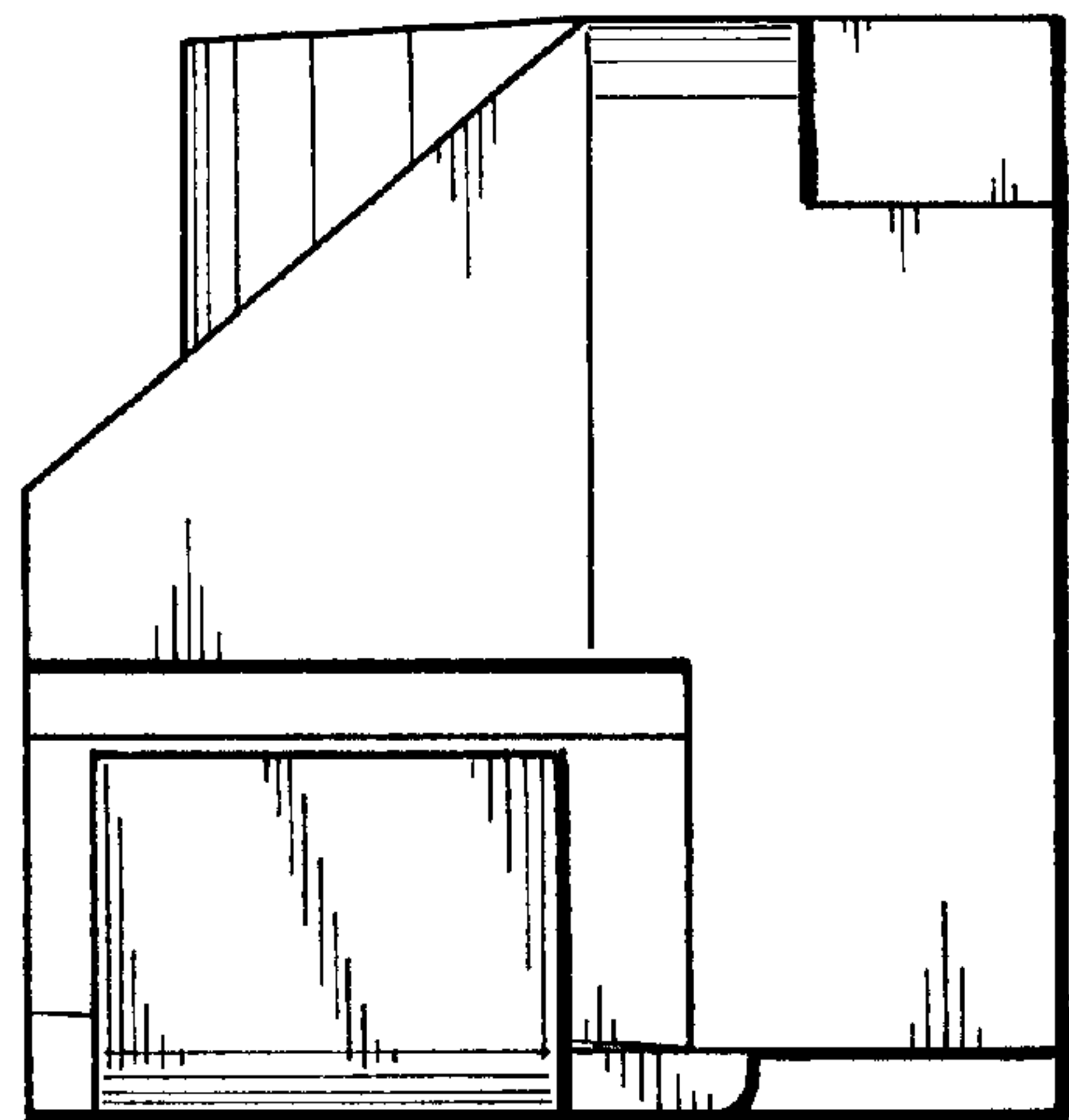


Fig. 23

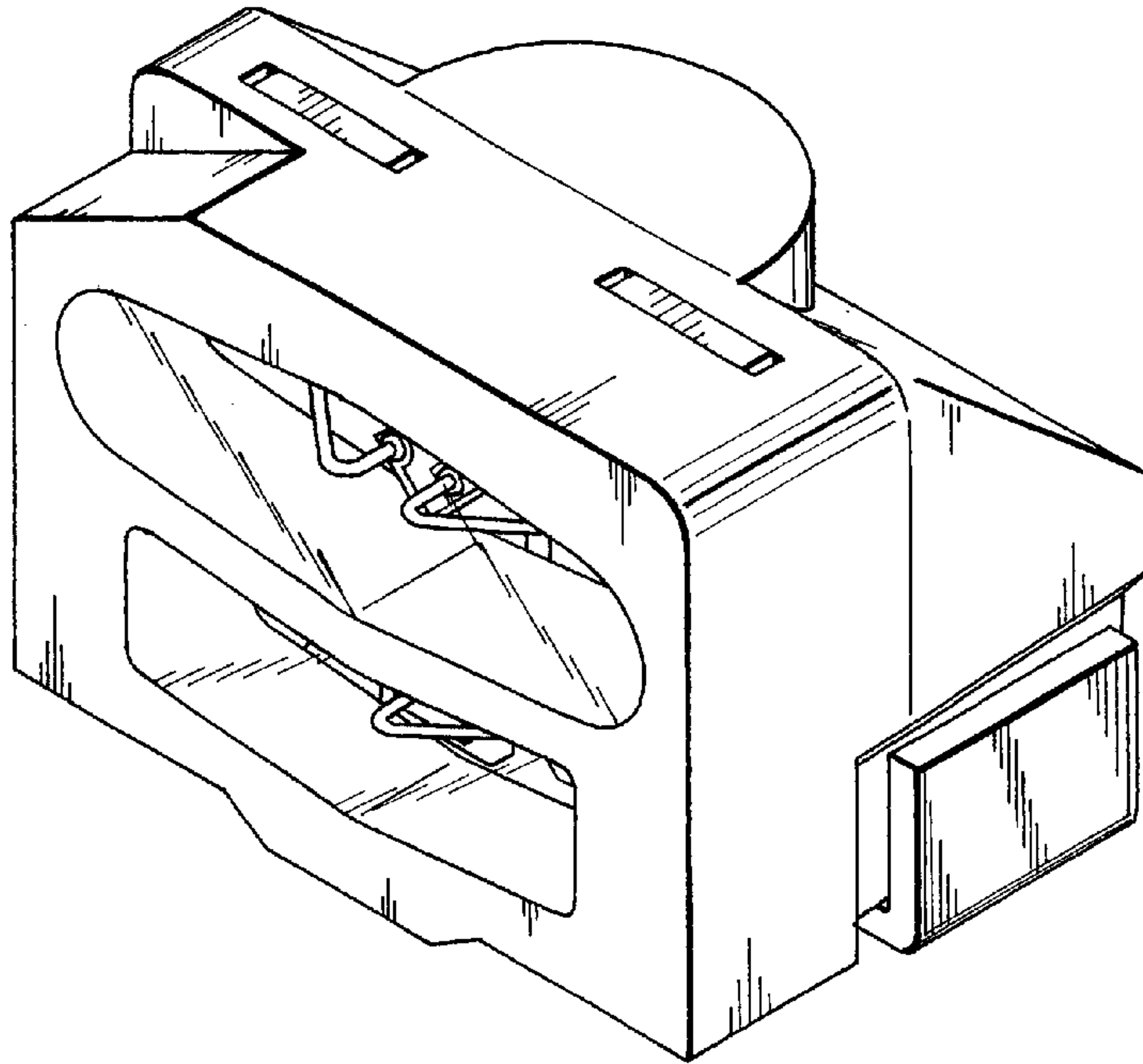


Fig. 24

