



US00D453744S

(12) **United States Design Patent**
Lee et al.

(10) **Patent No.:** **US D453,744 S**

(45) **Date of Patent:** **** Feb. 19, 2002**

(54) **HEAT SINK**

D400,188 S * 10/1998 Chu D13/179
6,241,006 B1 * 6/2001 Shih 165/80.3

(75) Inventors: **Cheng-Chi Lee**, Taipei (TW); **Xue Jin Fu**; **Xiang Bo Liu**, both of Shenzhen (CN)

* cited by examiner

(73) Assignee: **Foxconn Precision Components Co., Ltd.**, Taipei (TW)

Primary Examiner—Ted Shooman
Assistant Examiner—Daniel Bui

(**) Term: **14 Years**

(57) **CLAIM**

The ornamental design for a heat sink, as shown.

(21) Appl. No.: **29/141,773**

(22) Filed: **May 11, 2001**

DESCRIPTION

(51) **LOC (7) Cl.** **13-03**

(52) **U.S. Cl.** **D13/179**

(58) **Field of Search** D13/179, 184;
165/80.3, 180, 185; 174/16.3; 257/706,
707, 718, 719, 720, 721, 722, 686, 727;
361/271, 274.3, 697, 702, 704, 709, 710,
711; 439/485, 486, 487

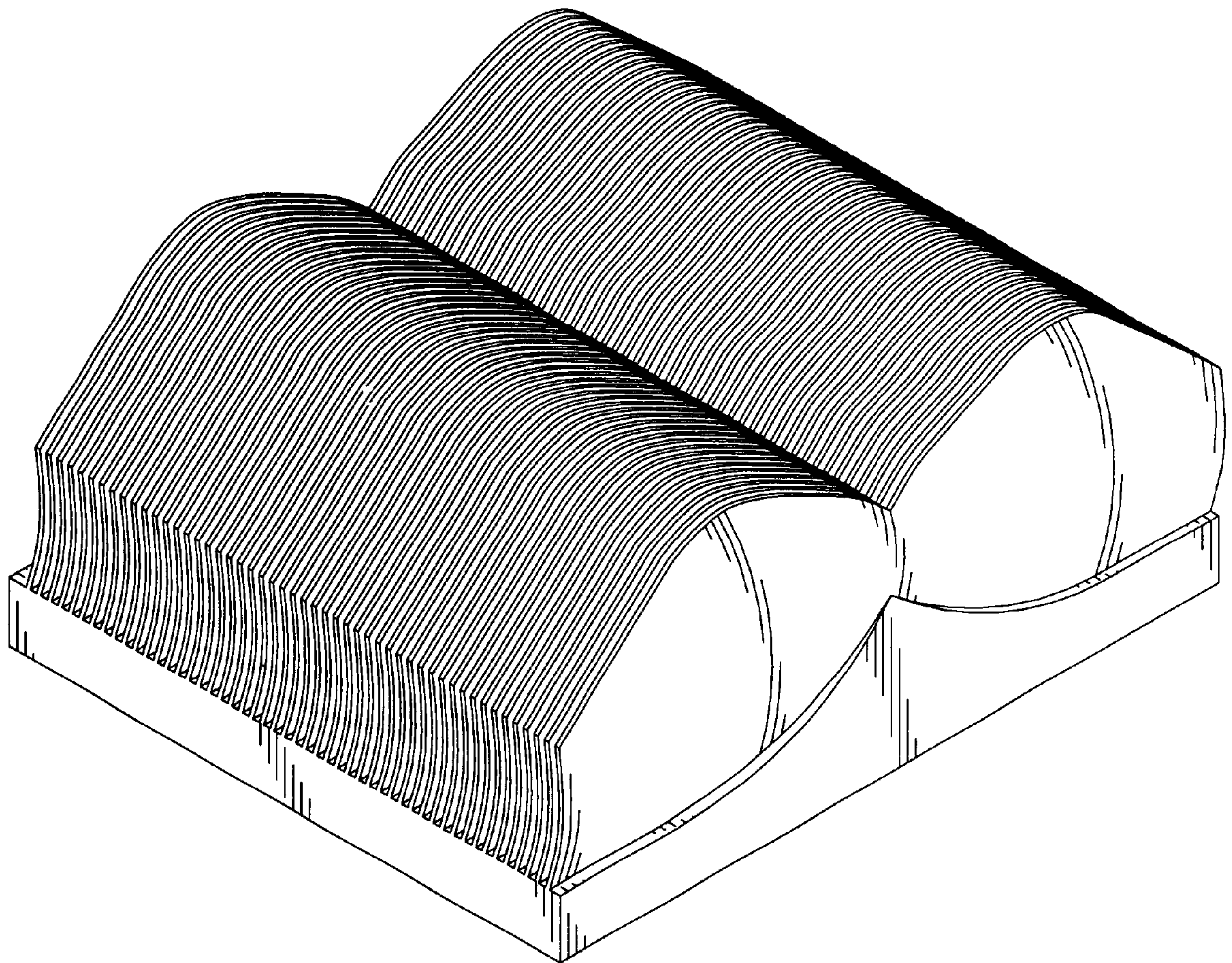
FIG. 1 is a perspective view of a heat sink of our new design;
FIG. 2 is a front elevational view thereof;
FIG. 3 is a rear elevational view thereof;
FIG. 4 is a left side elevational view thereof;
FIG. 5 is a right side elevational view thereof;
FIG. 6 is a top plan view thereof; and,
FIG. 7 is a bottom plan view thereof.

(56) **References Cited**

U.S. PATENT DOCUMENTS

5,358,032 A * 10/1994 Arai et al. 165/80.3

1 Claim, 4 Drawing Sheets



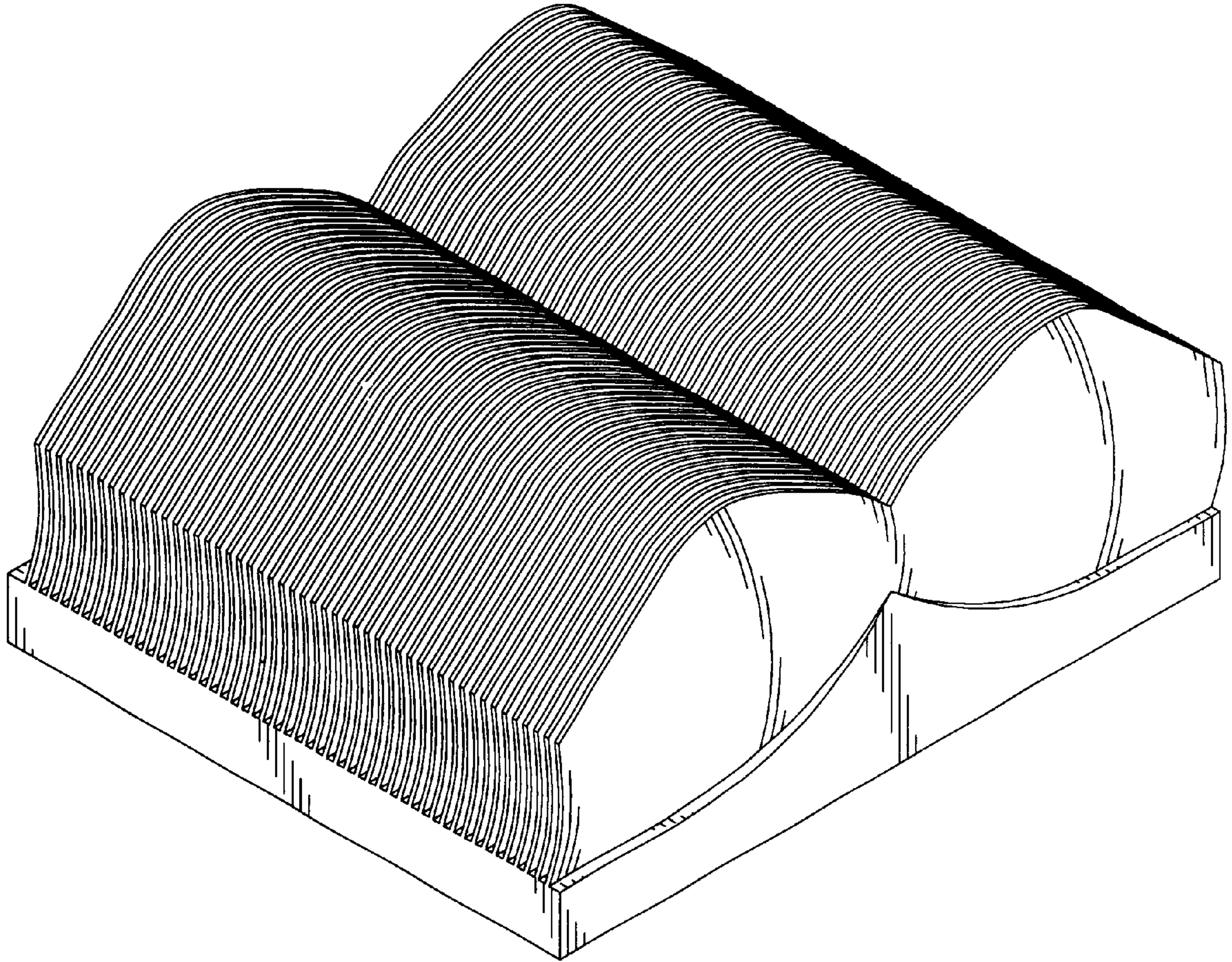


FIG. 1

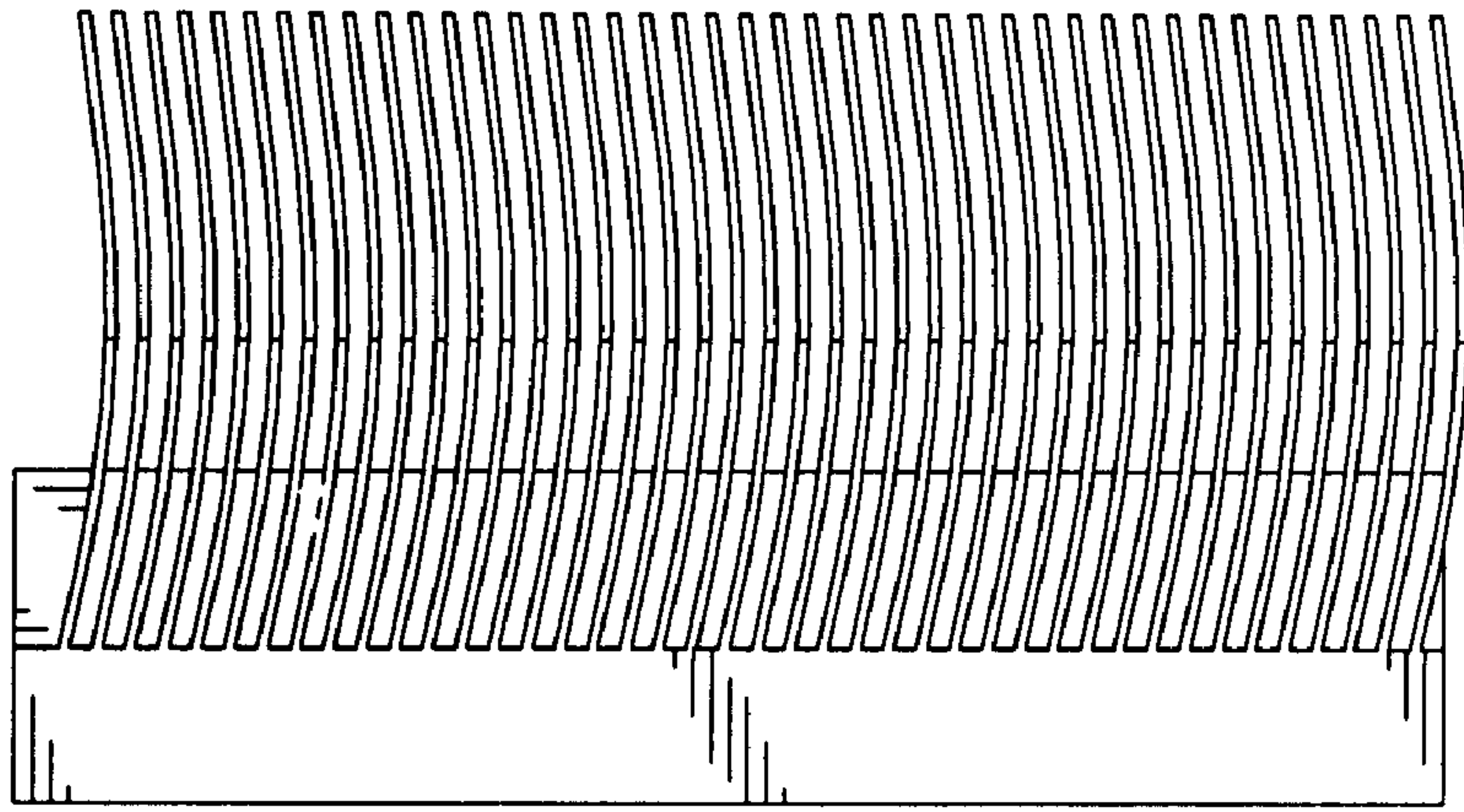


FIG. 2

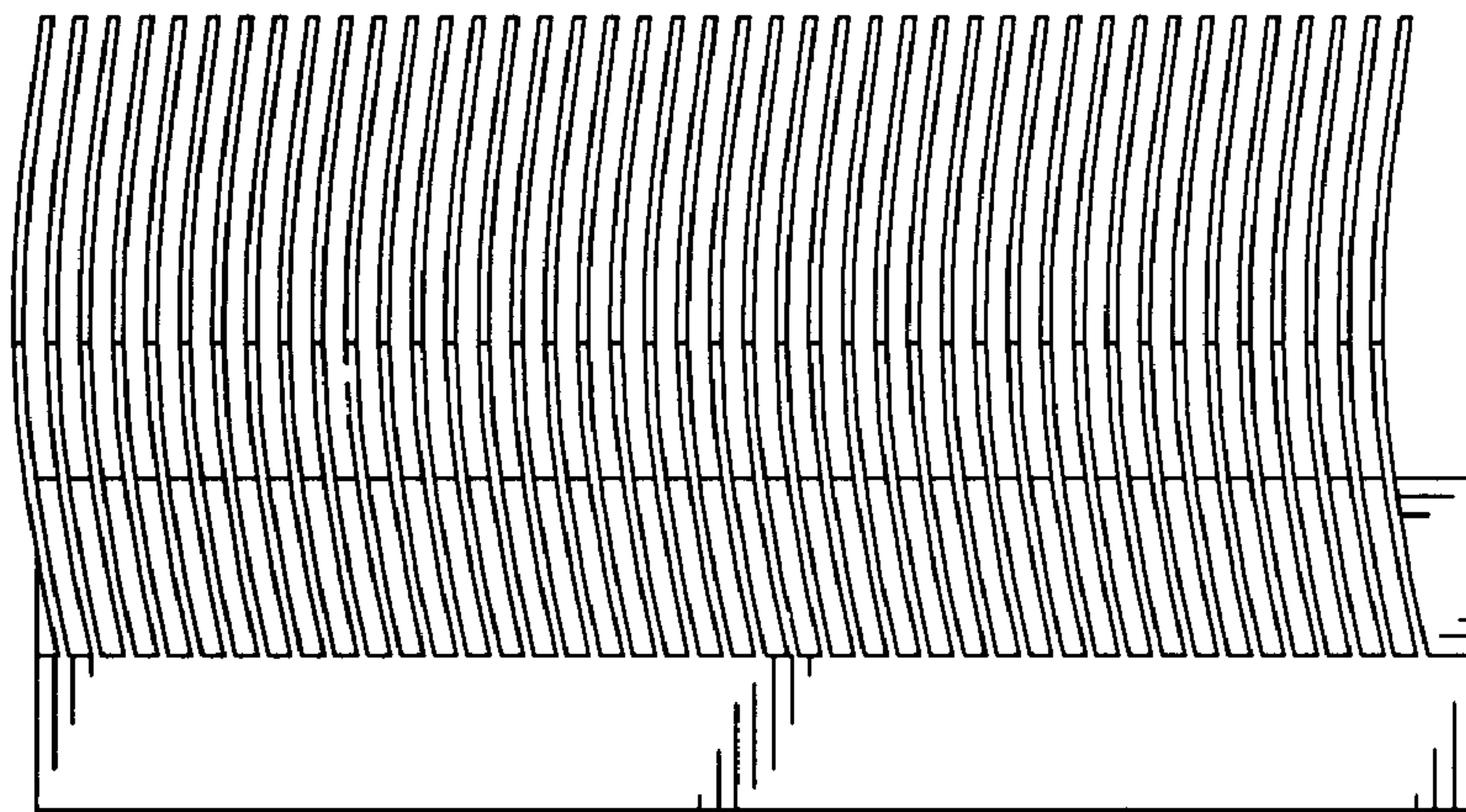


FIG. 3

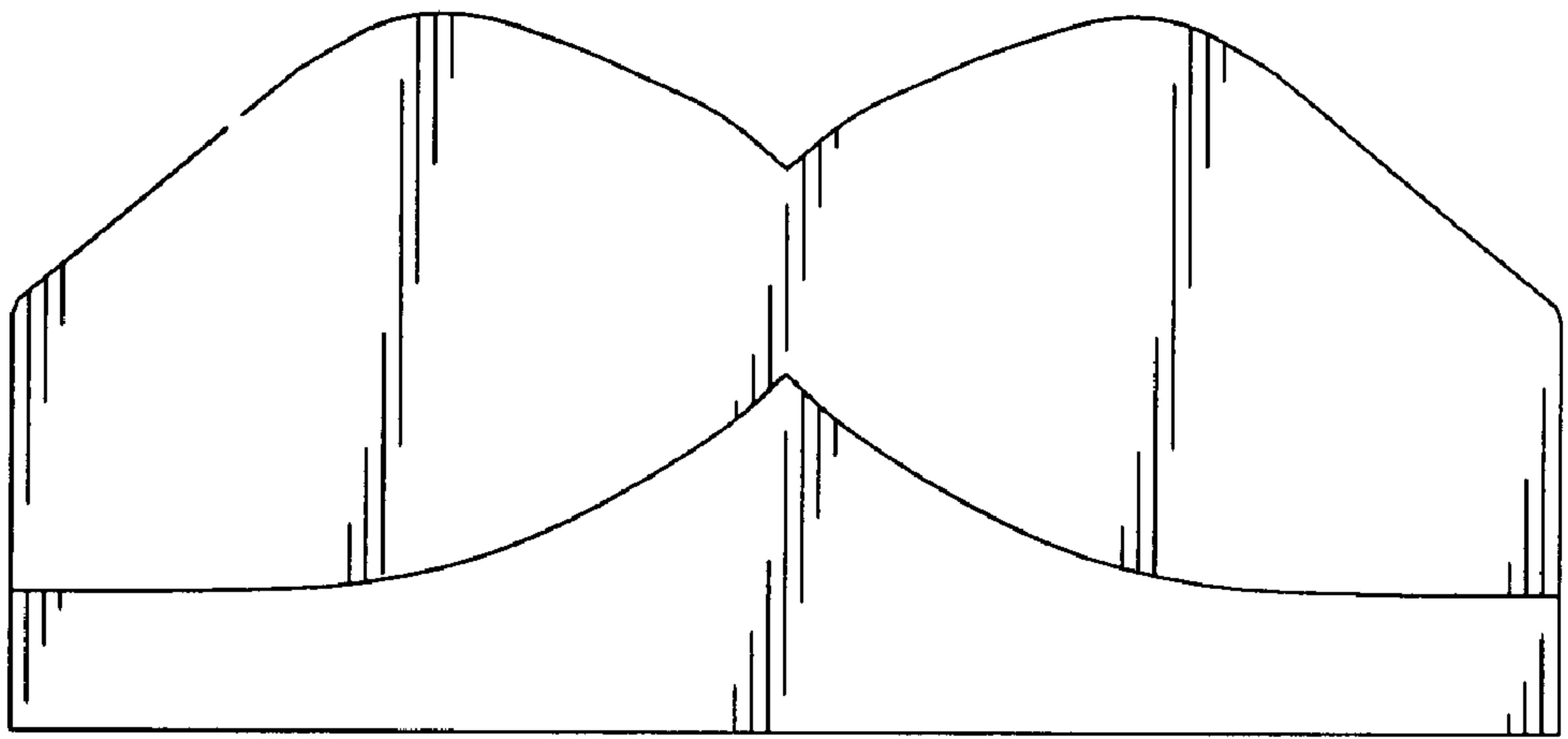


FIG. 4

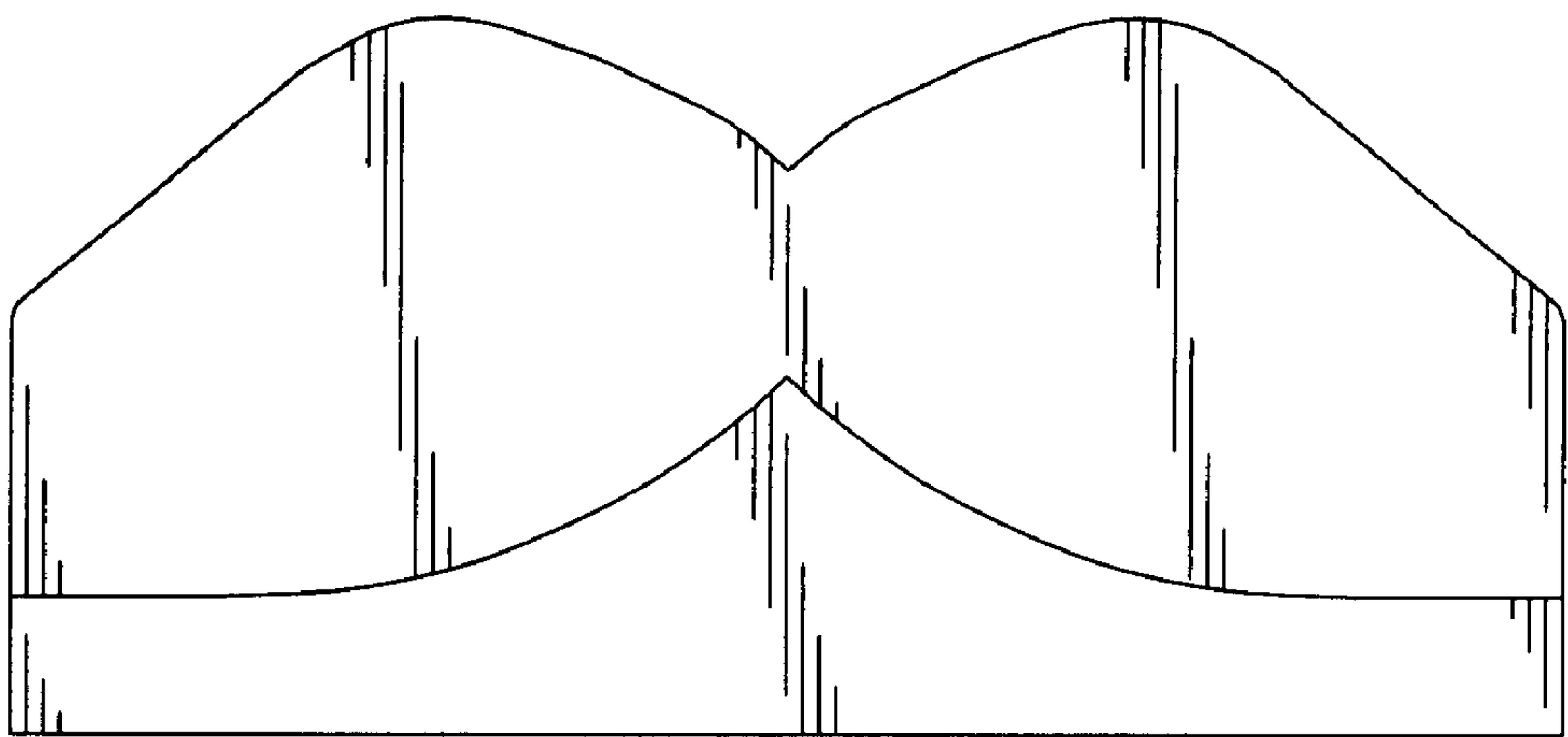


FIG. 5

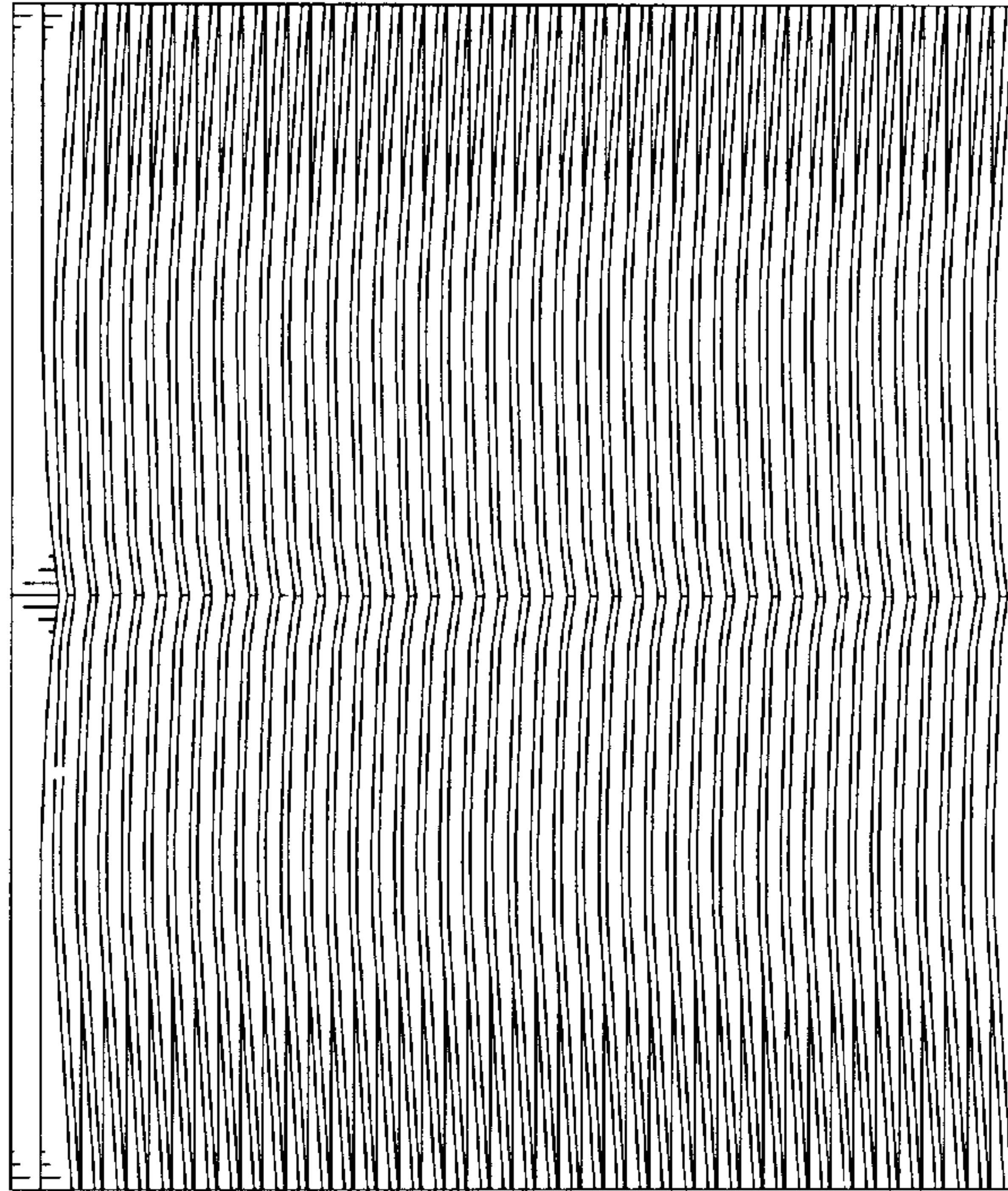


FIG. 6

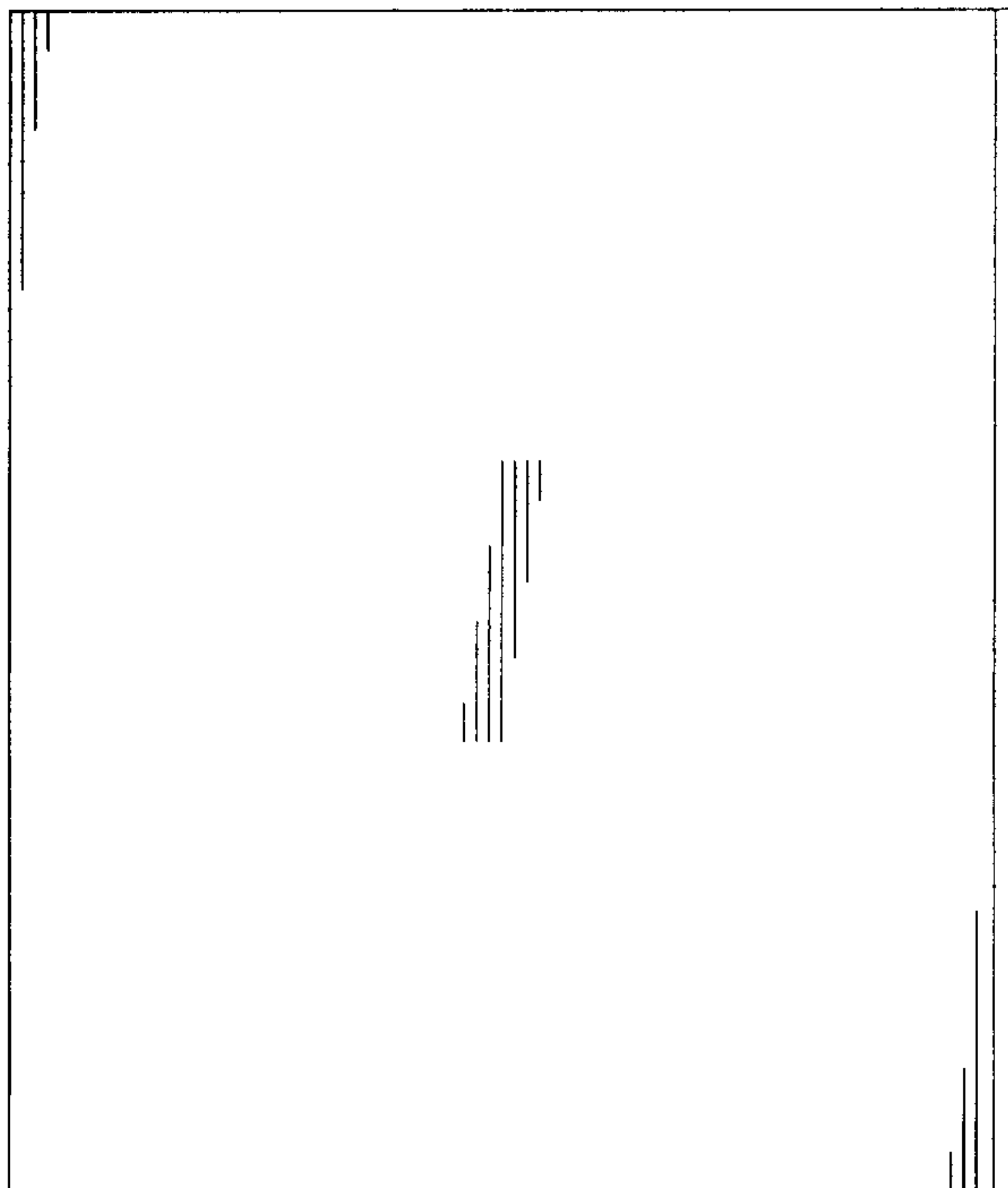


FIG. 7