



US00D453740S

(12) **United States Design Patent**
Lexer et al.

(10) **Patent No.:** **US D453,740 S**

(45) **Date of Patent:** **** Feb. 19, 2002**

(54) **PRESSURE-WAVE SWITCH**

(75) Inventors: **Christof Lexer**, Jestetten (DE); **Godert de Jager**, Uelketswil (CH)

(73) Assignee: **Bircher AG** (CH)

(**) Term: **14 Years**

(21) Appl. No.: **29/122,364**

(22) Filed: **Apr. 26, 2000**

(30) **Foreign Application Priority Data**

Oct. 27, 1999 (DE) 499 10 100

(51) **LOC (7) Cl.** **13-03**

(52) **U.S. Cl.** **D13/158**

(58) **Field of Search** D13/158, 159,
D13/173, 174, 184, 199; 200/293, 299;
337/295

(56) **References Cited**

U.S. PATENT DOCUMENTS

D46,130 S * 7/1914 Klein D13/158
D206,122 S * 11/1966 Bradbury et al. D13/158
D224,114 S * 7/1972 Mueller et al. D13/171

D280,501 S * 9/1985 Walters D13/158
D301,868 S * 6/1989 Schwartz D13/158
D313,397 S * 1/1991 Willcox D13/158
5,130,503 A * 7/1992 Heiress 200/83 N

* cited by examiner

Primary Examiner—Ted Shooman

Assistant Examiner—Selina Sikder

(74) *Attorney, Agent, or Firm*—Bachman & LaPointe, P.C.

(57) **CLAIM**

The ornamental design for a pressure-wave switch, as shown and described.

DESCRIPTION

FIG. 1 is a front view of the pressure-wave switch of the present invention;

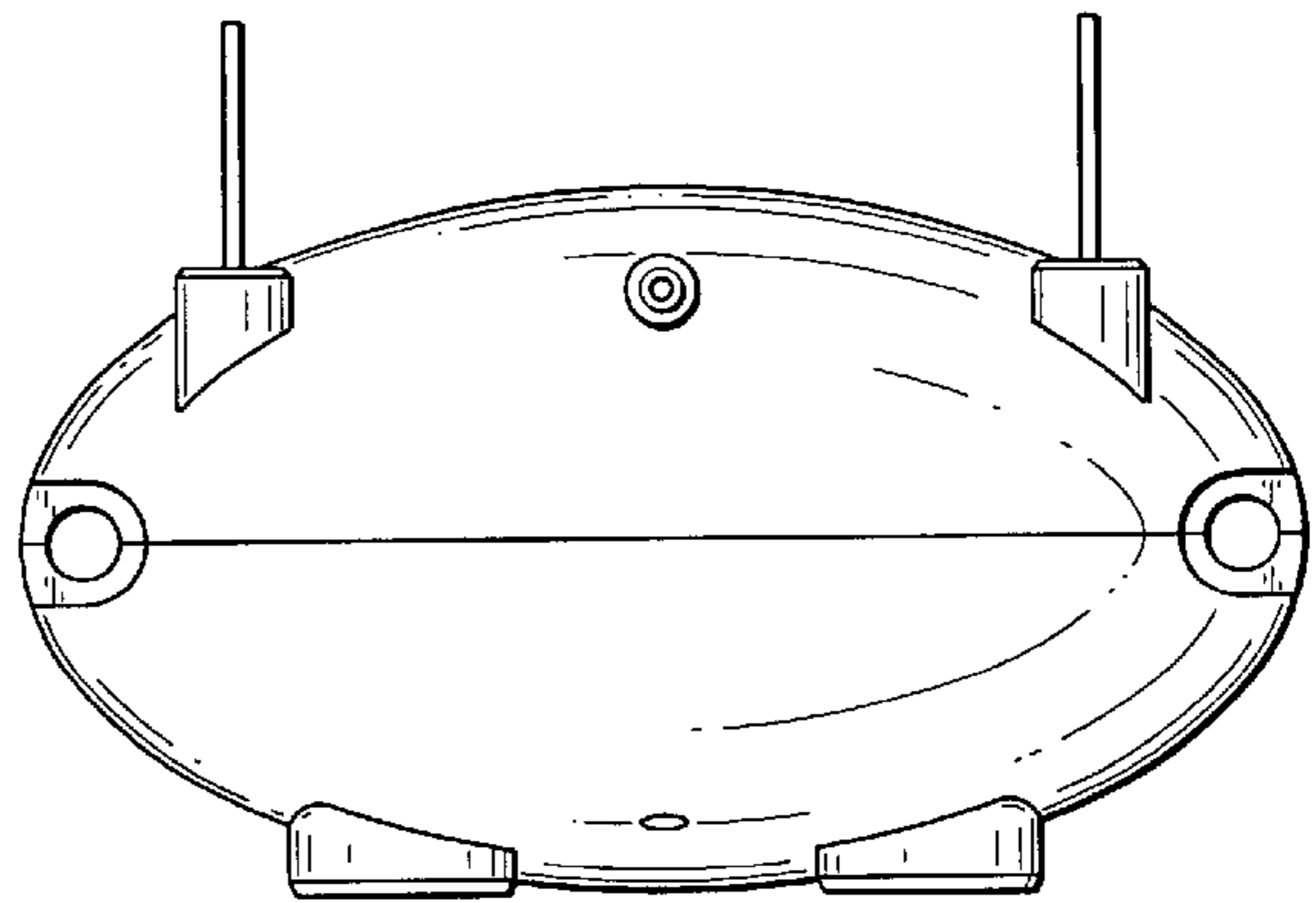
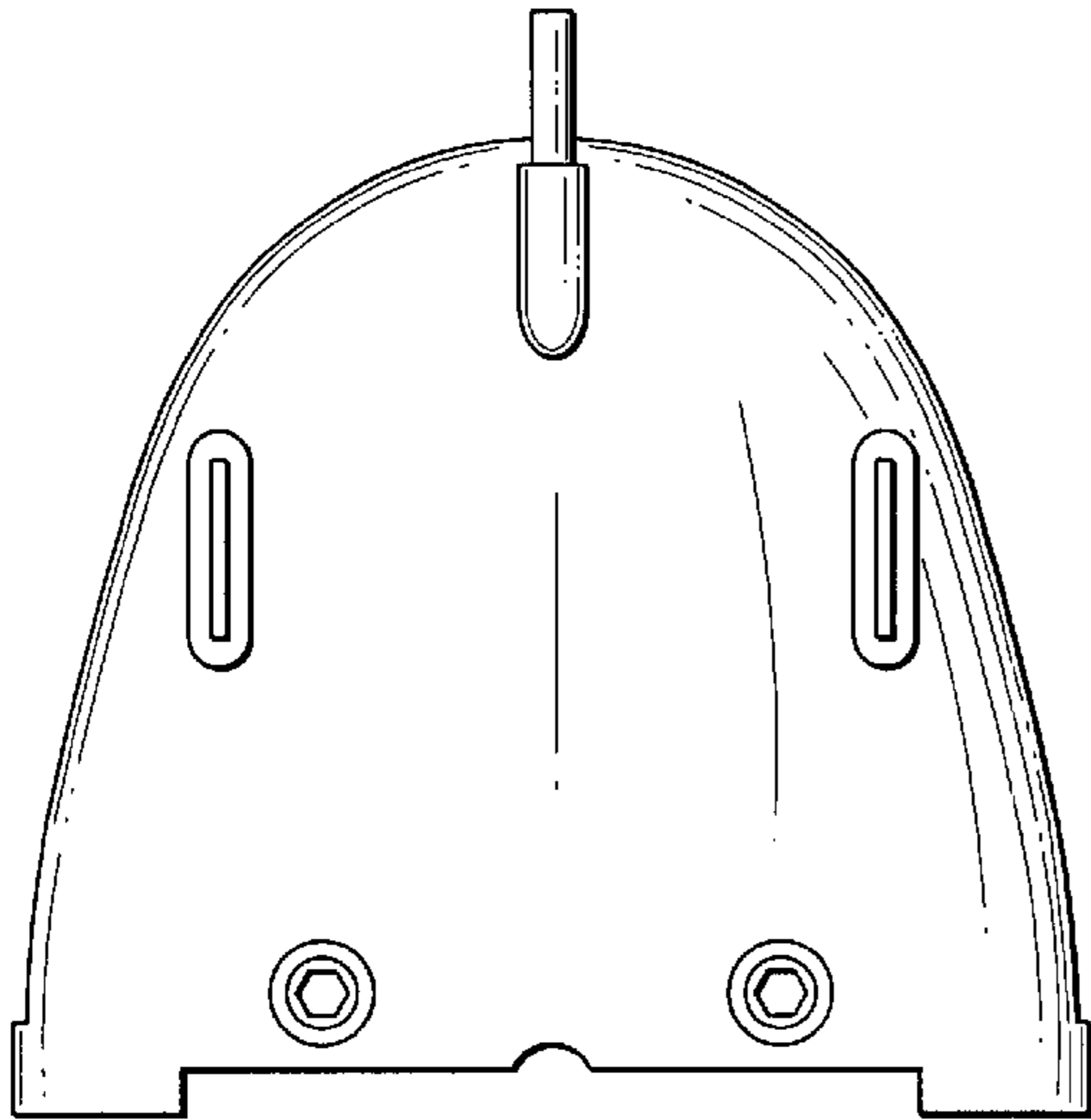
FIG. 2 is a rear view of the pressure-wave switch of FIG. 1;

FIG. 3 is a plan view of the pressure-wave switch of FIG. 1;

FIG. 4 is a bottom view of the pressure-wave switch of FIG. 1; and,

FIGS. 5–6 are respective side views of the pressure-wave switch of FIG. 1.

1 Claim, 3 Drawing Sheets



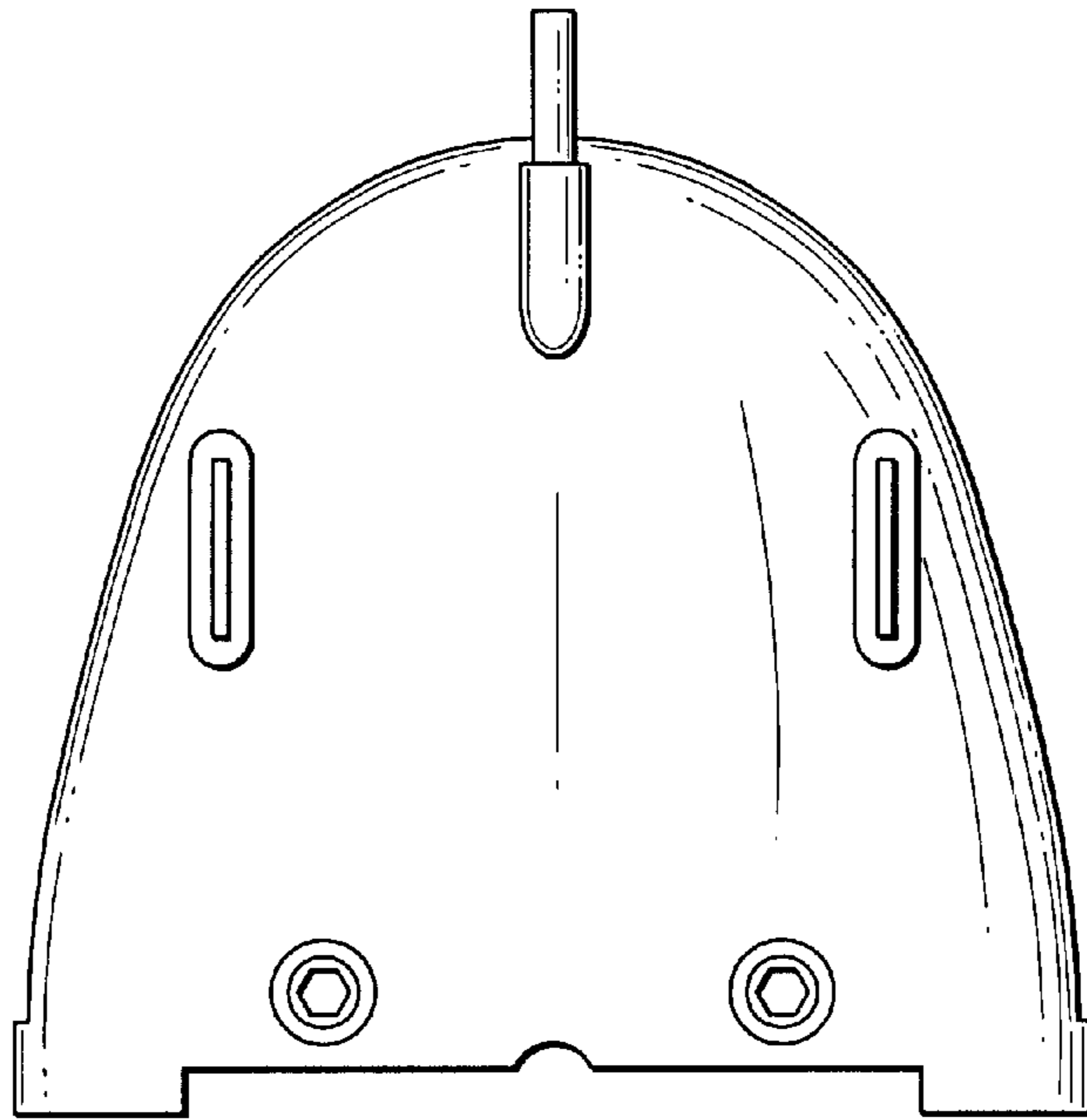


FIG. 1

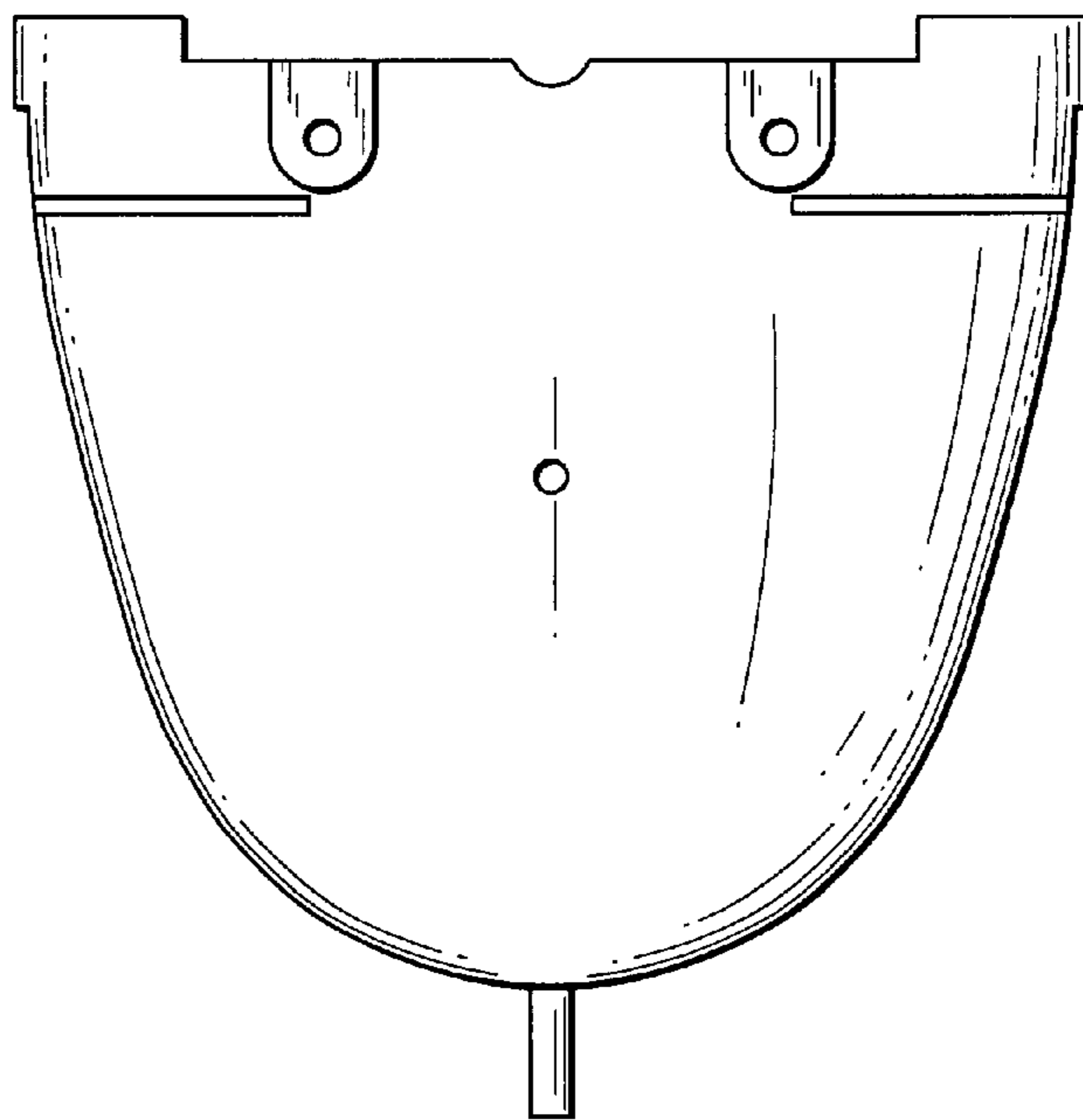


FIG. 2

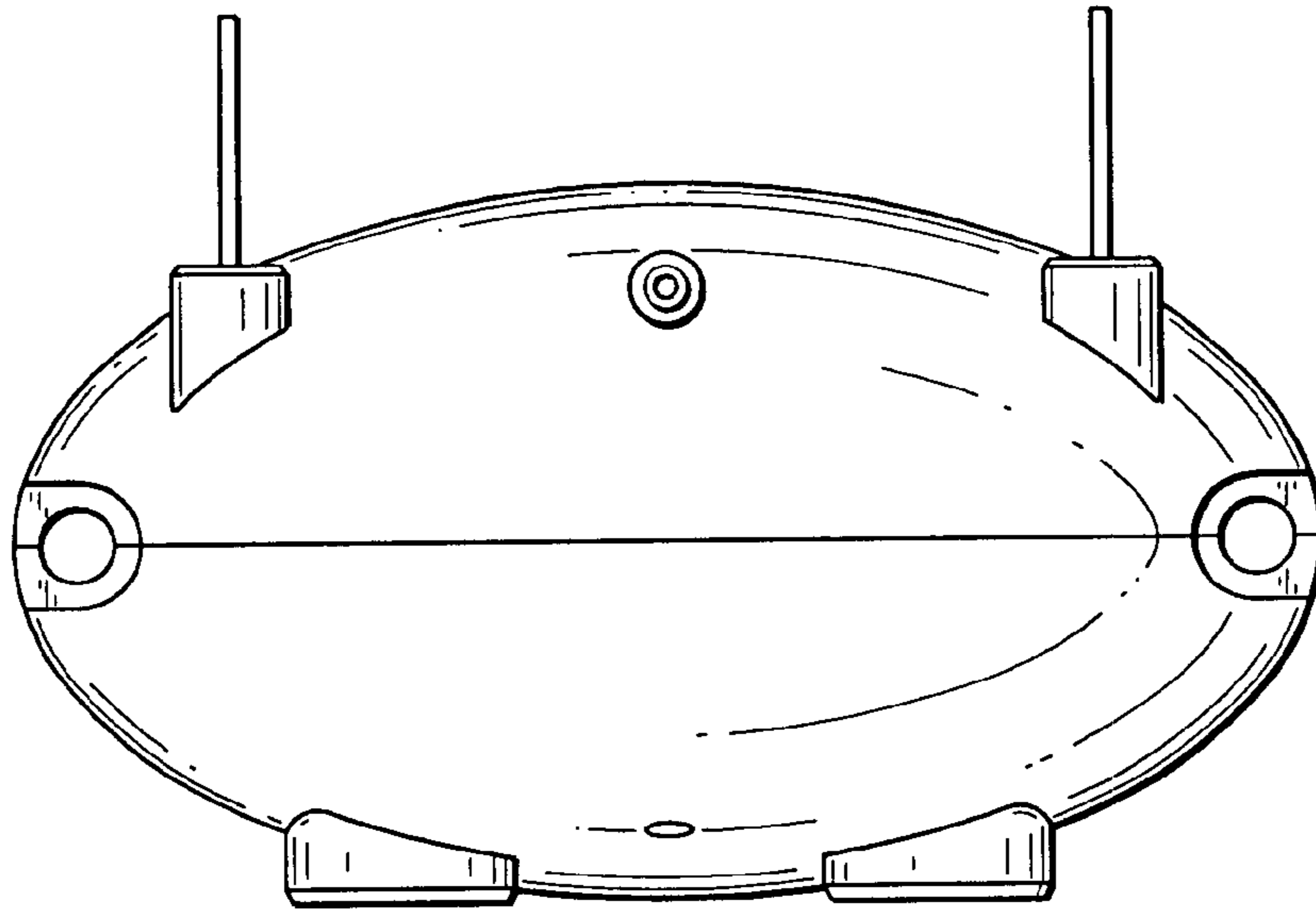


FIG. 3

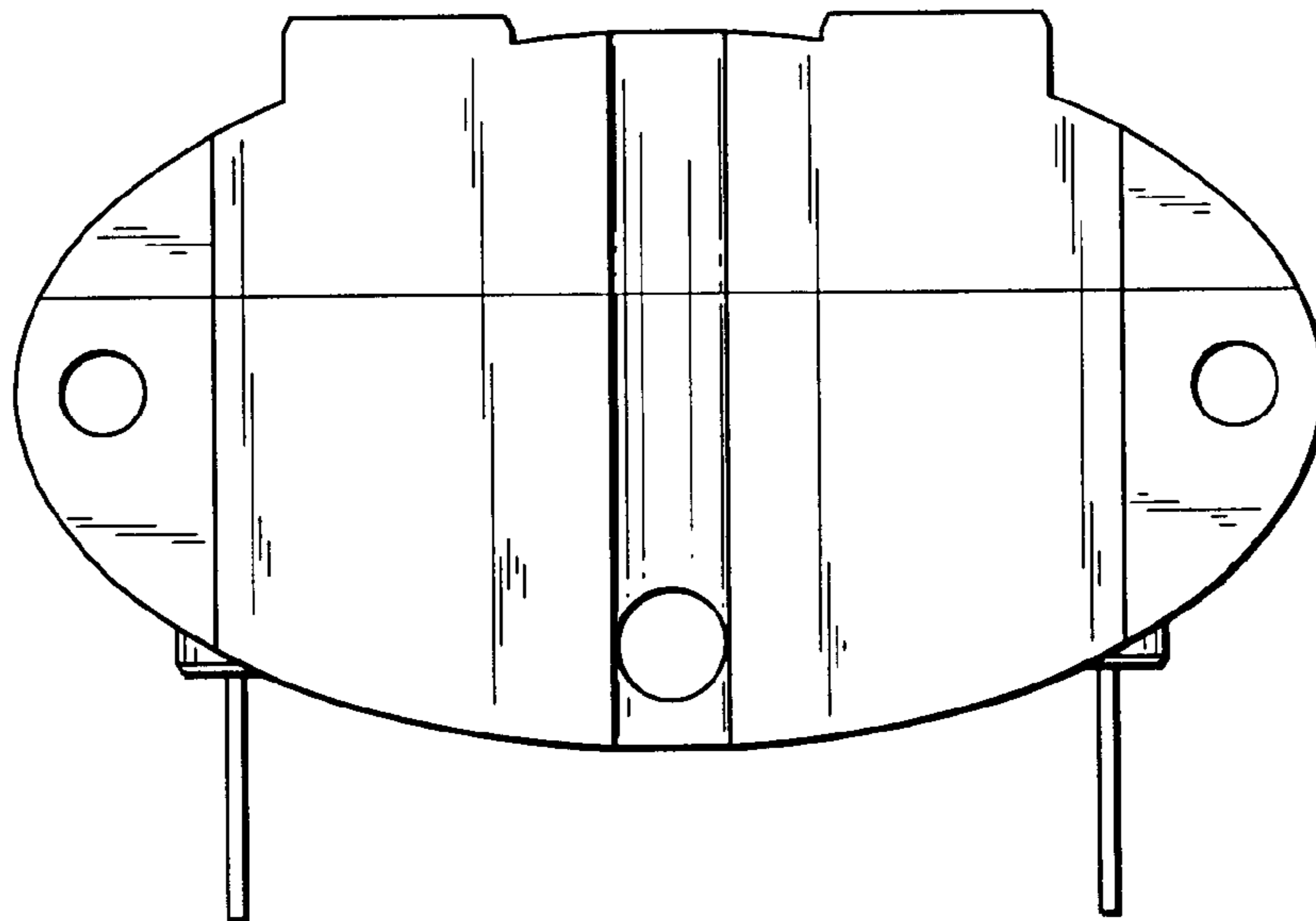


FIG. 4

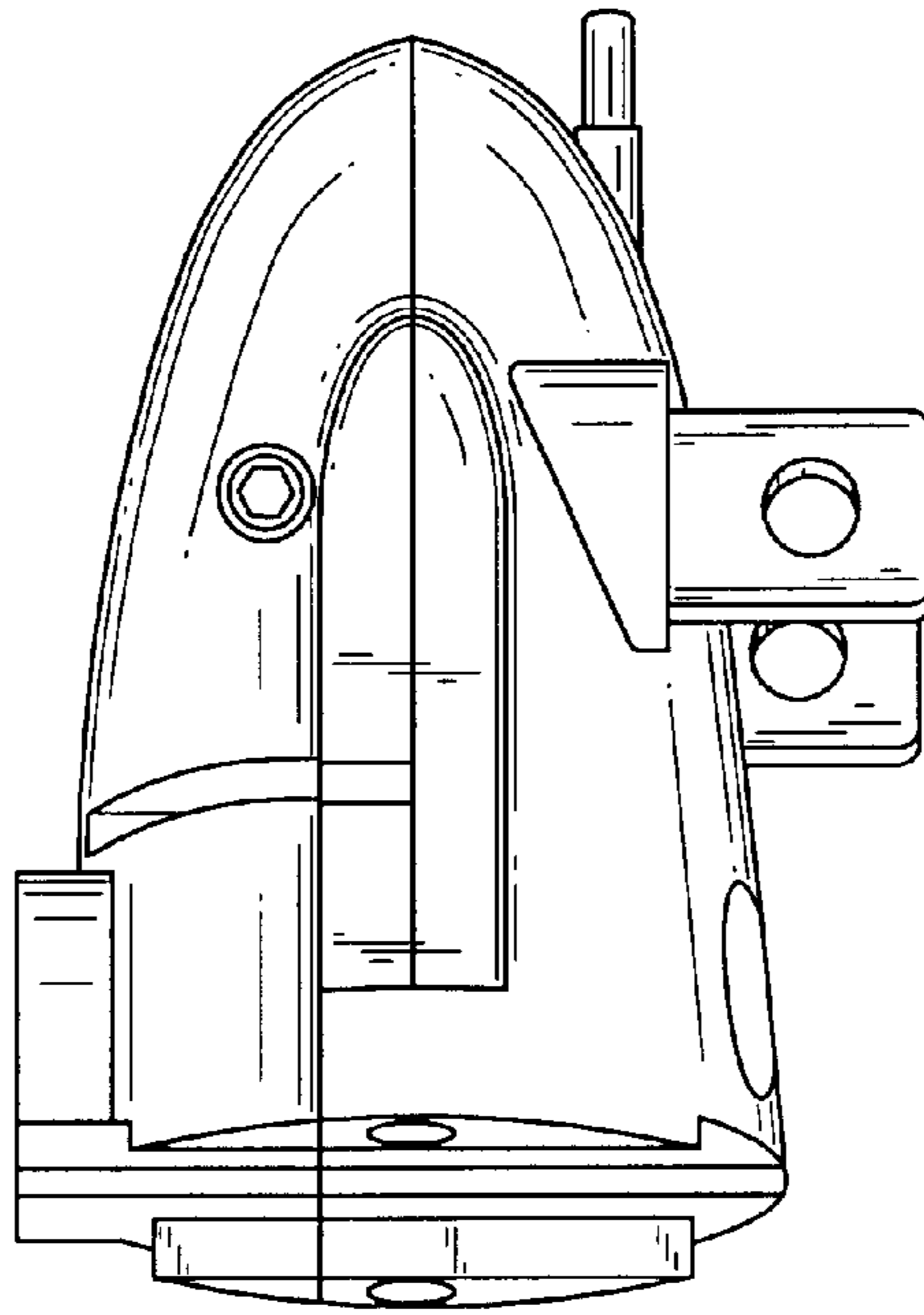


FIG. 5

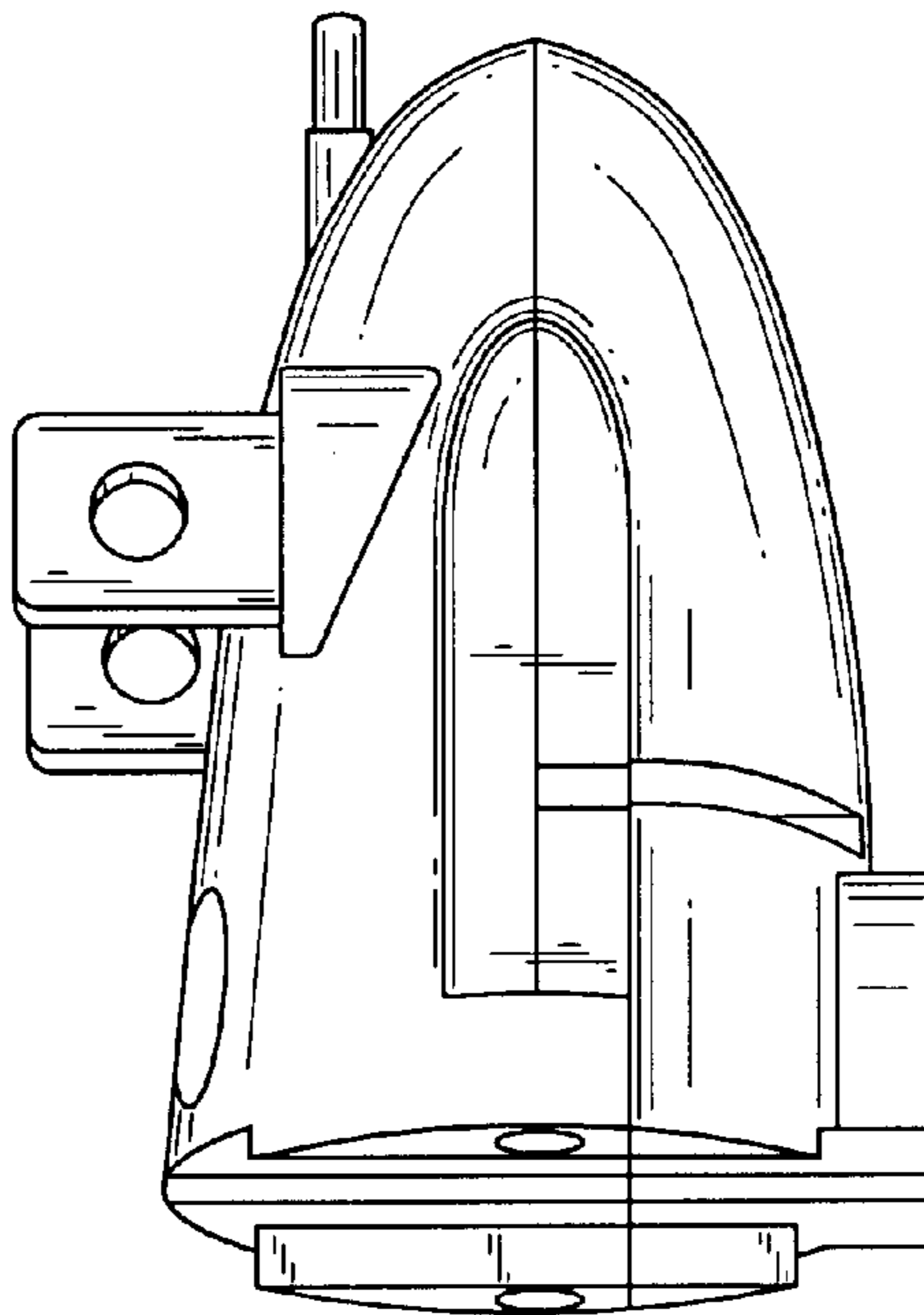


FIG. 6