



US00D453739S

(12) **United States Design Patent**  
**Lin**

(10) **Patent No.:** **US D453,739 S**

(45) **Date of Patent:** **\*\* Feb. 19, 2002**

(54) **TERMINAL FOR PLUG**

(76) **Inventor:** **Ching-Yu Lin**, 117 YueMei Street,  
LuoDong Town, YiLan County (TW)

(\*\*) **Term:** **14 Years**

(21) **Appl. No.:** **29/124,548**

(22) **Filed:** **Jun. 8, 2000**

(51) **LOC (7) Cl.** ..... **13-03**

(52) **U.S. Cl.** ..... **D13/148; D13/154**

(58) **Field of Search** ..... **D13/133, 148,**  
**D13/154; 439/203, 845, 849, 850, 884,**  
**888**

(56) **References Cited**

**U.S. PATENT DOCUMENTS**

2,668,279	A	*	2/1954	Epstein	.....	439/865
3,910,666	A	*	10/1975	McIntosh	.....	439/880
D238,578	S	*	1/1976	Degaetano	.....	D13/154
D252,927	S	*	9/1979	Harris et al.	.....	D13/148
4,912,448	A	*	3/1990	Katayama et al.	.....	336/192
5,076,795	A	*	12/1991	Krupp et al.	.....	439/876 X

5,082,461	A	*	1/1992	Minnis et al.	.....	439/888 X
5,716,236	A	*	2/1998	O'Sullivan et al.	.....	439/610
D405,418	S	*	2/1999	Byfield, Jr.	.....	D13/148
6,129,565	A	*	10/2000	Lai	.....	439/884 X
6,186,828	B1	*	2/2001	OaSullivan	.....	439/579

\* cited by examiner

*Primary Examiner*—Joel Sincavage

(74) *Attorney, Agent, or Firm*—Rosenberg, Klein & Lee

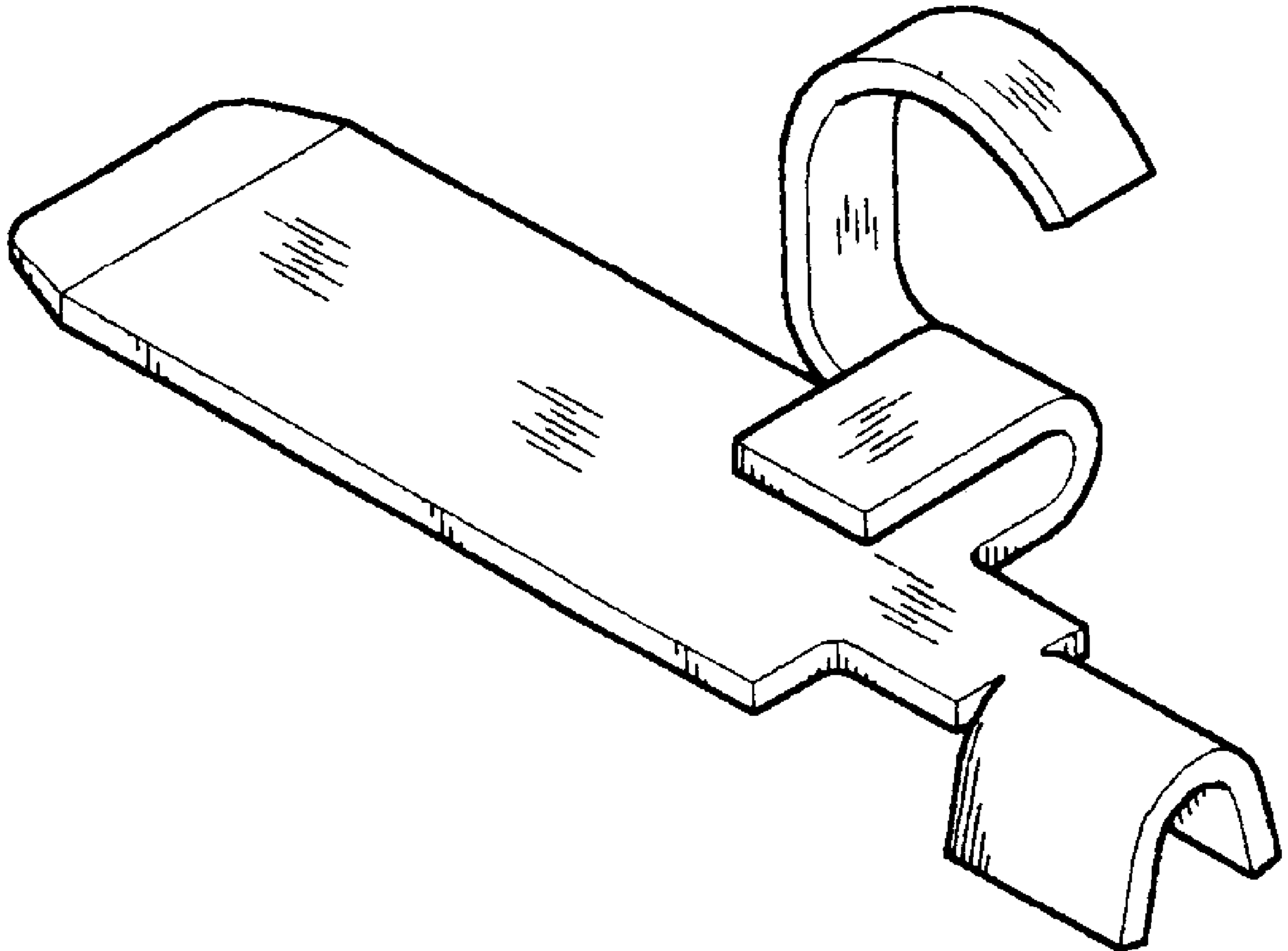
(57) **CLAIM**

The ornamental design for a terminal for plug, as shown and described.

**DESCRIPTION**

FIG. 1 is a perspective view of the terminal for plug in accordance with the design;  
FIG. 2 is a front elevational view thereof;  
FIG. 3 is a rear elevational view thereof;  
FIG. 4 is a left side elevational view thereof;  
FIG. 5 is a right side elevational view thereof;  
FIG. 6 is a top plan view thereof; and,  
FIG. 7 is a bottom plan view thereof.

**1 Claim, 2 Drawing Sheets**



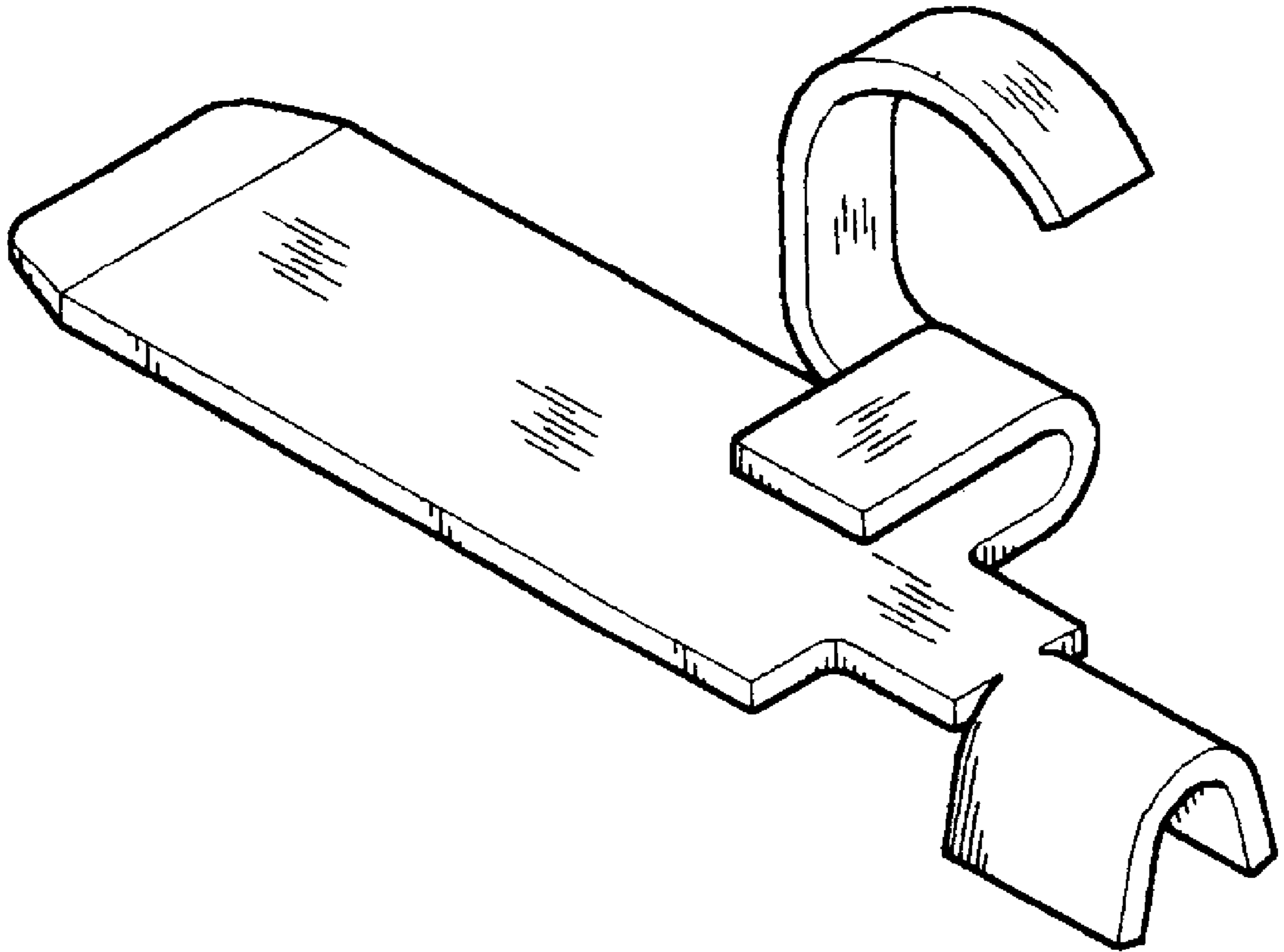


FIG.1

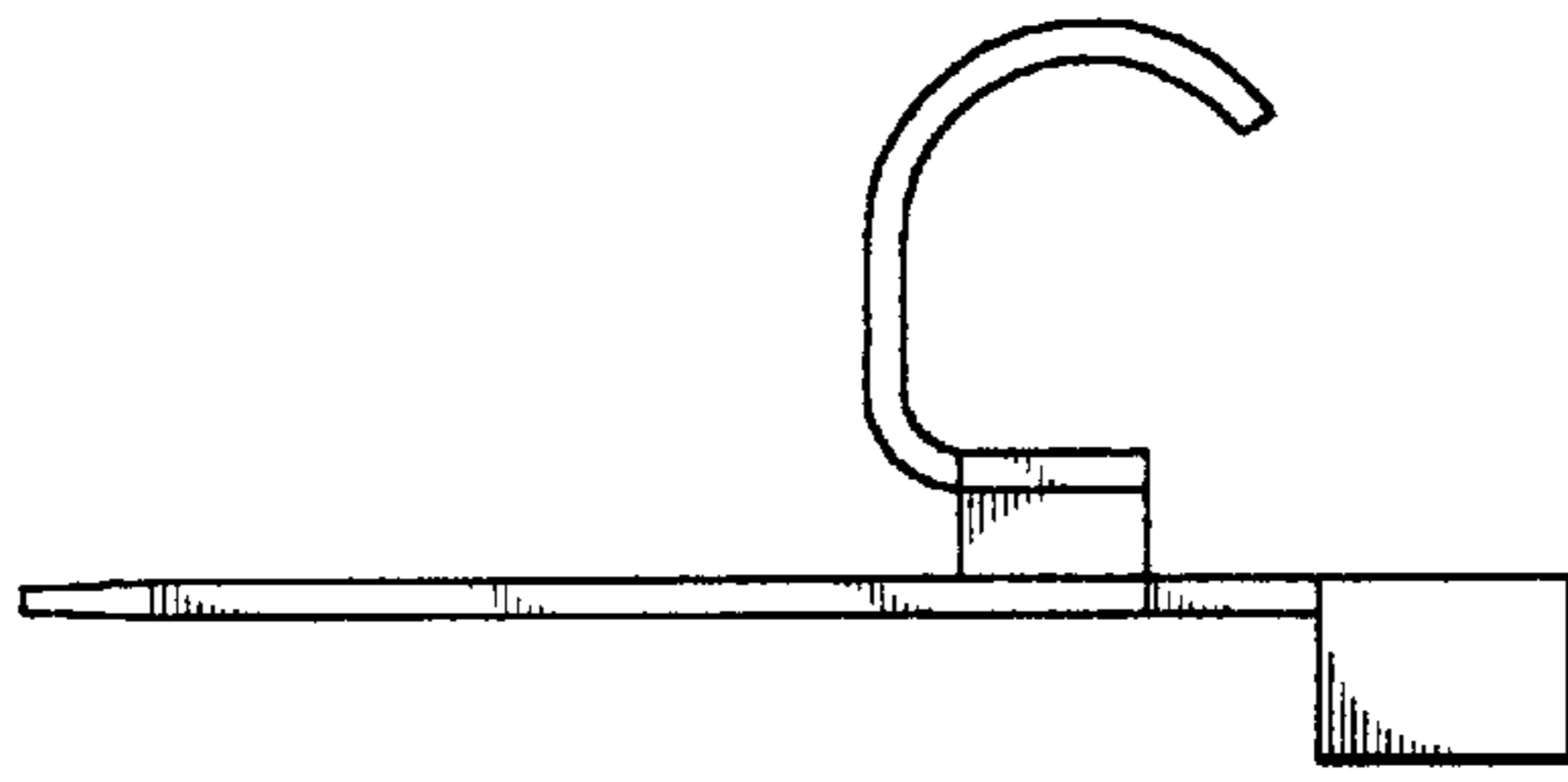


FIG. 2

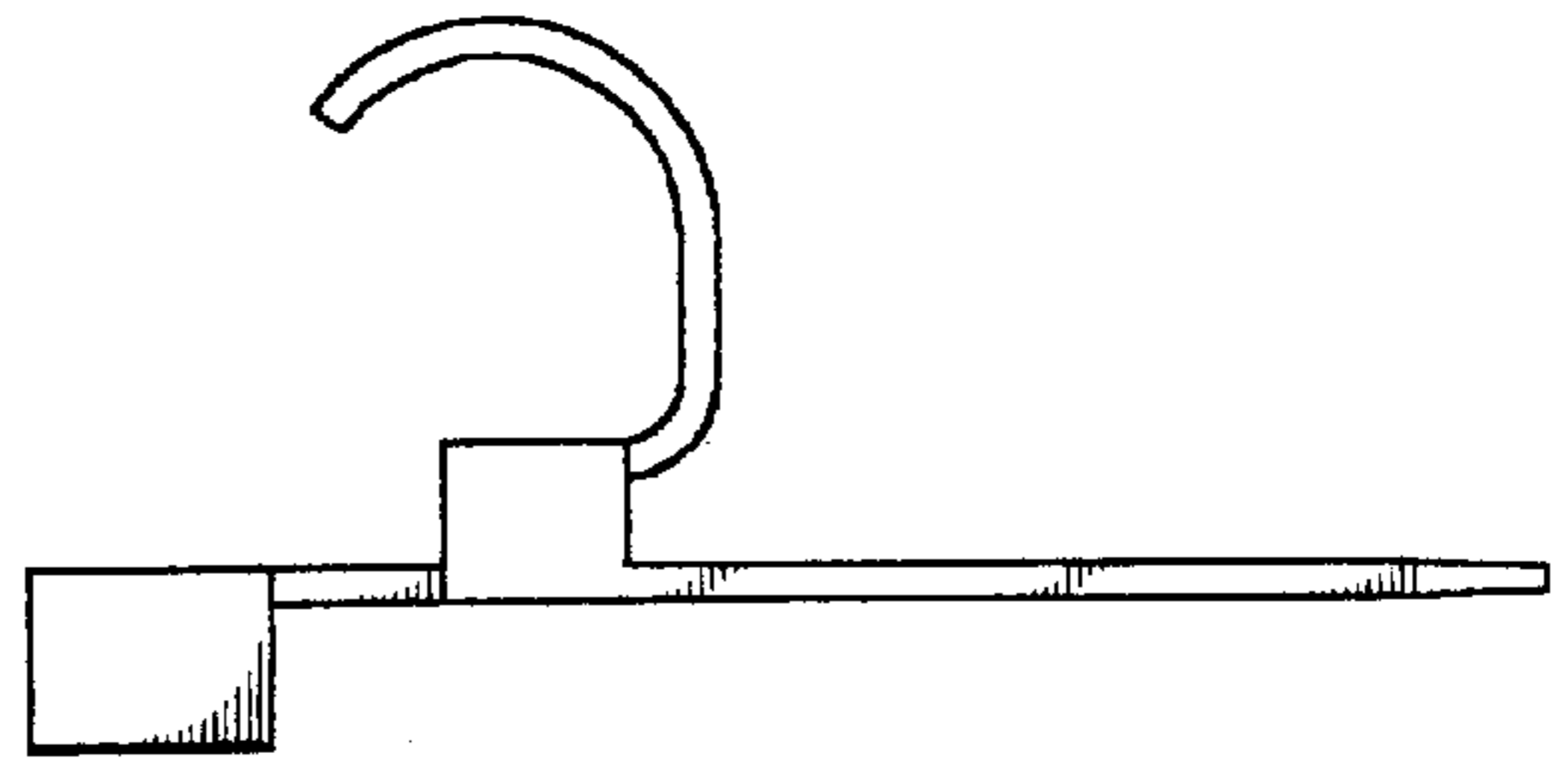


FIG. 3

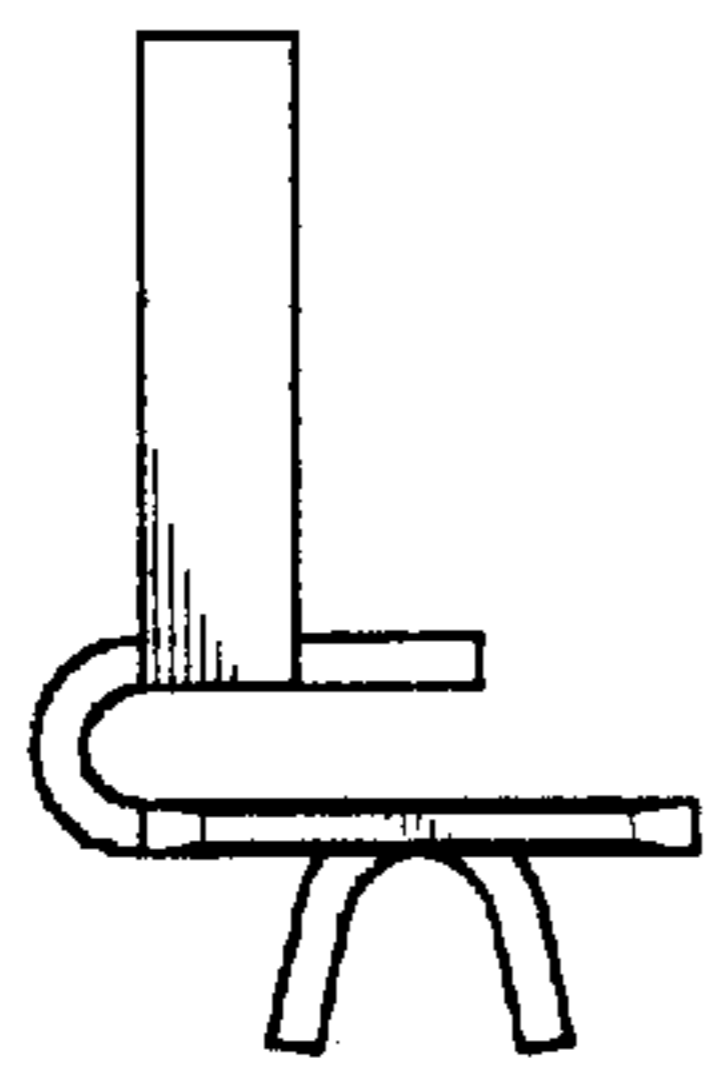


FIG. 4

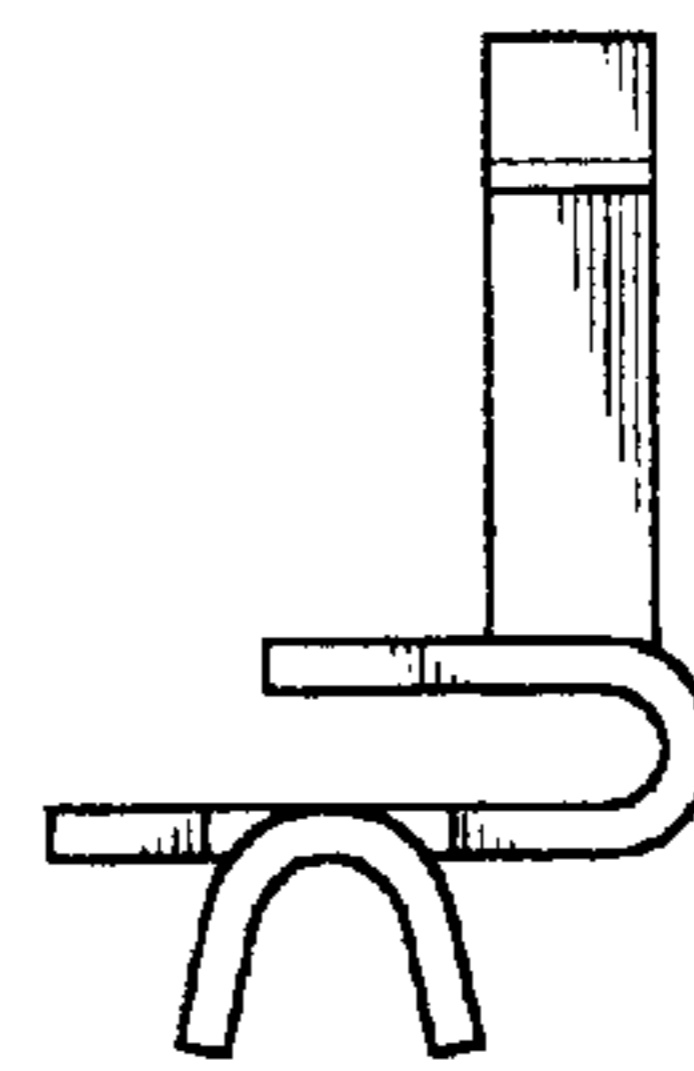


FIG. 5

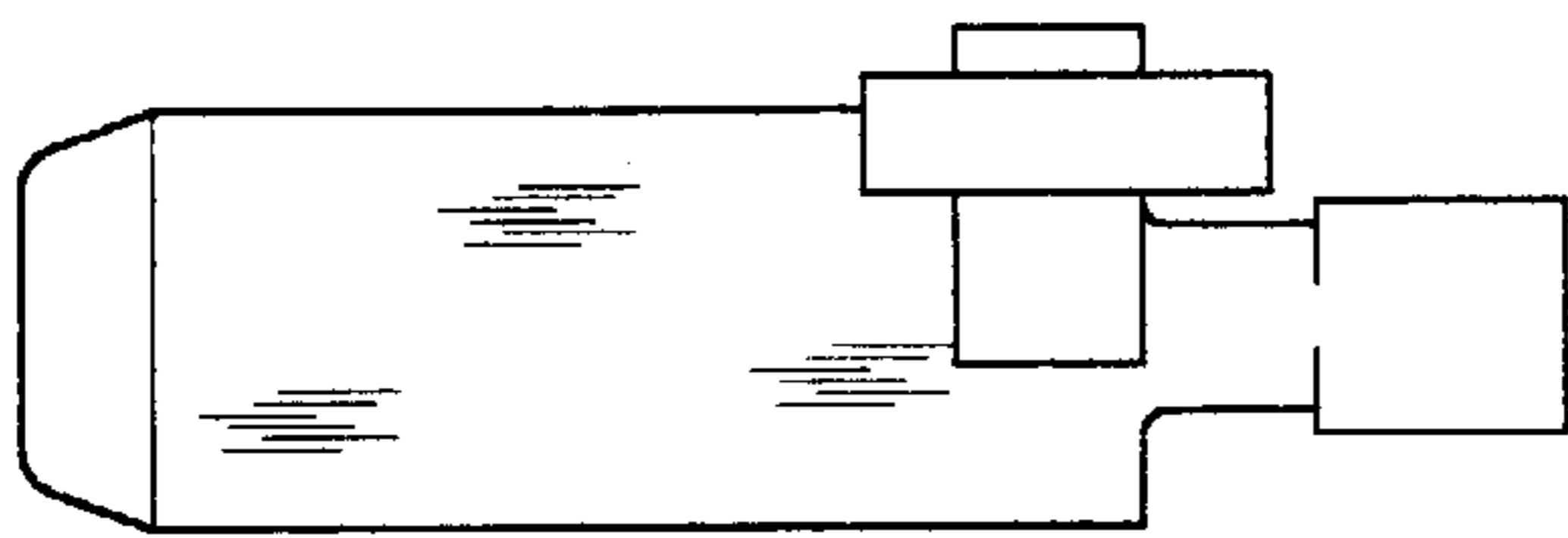


FIG. 6



FIG. 7