



US00D453738S

(12) **United States Design Patent**  
**Shao et al.**

(10) **Patent No.:** **US D453,738 S**

(45) **Date of Patent:** **\*\* Feb. 19, 2002**

- (54) **ELECTRICAL CONNECTOR ASSEMBLY**
- (75) Inventors: **Mingbo Shao; Bingbo Hu; Qisheng Zheng**, all of Kunsan (CN)
- (73) Assignee: **Hon Hai Precision Ind. Co., Ltd.**, Taipei Hsien (TW)
- (\*\*) Term: **14 Years**
- (21) Appl. No.: **29/142,960**
- (22) Filed: **Jun. 4, 2001**
- (51) **LOC (7) Cl.** ..... **13-03**
- (52) **U.S. Cl.** ..... **D13/147**
- (58) **Field of Search** ..... D13/146, 147;  
439/108, 607, 608, 677-681, 540.1, 541.5,  
638, 639

- 5,876,248 A \* 3/1999 Brunker et al. .... 439/608
- D420,645 S \* 2/2000 Chang et al. .... 439/108
- D420,978 S \* 2/2000 Chang ..... D13/146
- D420,979 S \* 2/2000 Chang ..... D13/146
- 6,056,594 A \* 5/2000 Ching ..... 439/541.5
- 6,168,462 B1 \* 1/2001 Liao ..... 439/541.5
- 6,193,555 B1 \* 2/2001 Chang ..... 439/608
- 6,200,161 B1 \* 3/2001 McClinton et al. .... 439/541.5

\* cited by examiner

*Primary Examiner*—Joel Sincavage  
(74) *Attorney, Agent, or Firm*—Wei Te Chung

(57) **CLAIM**

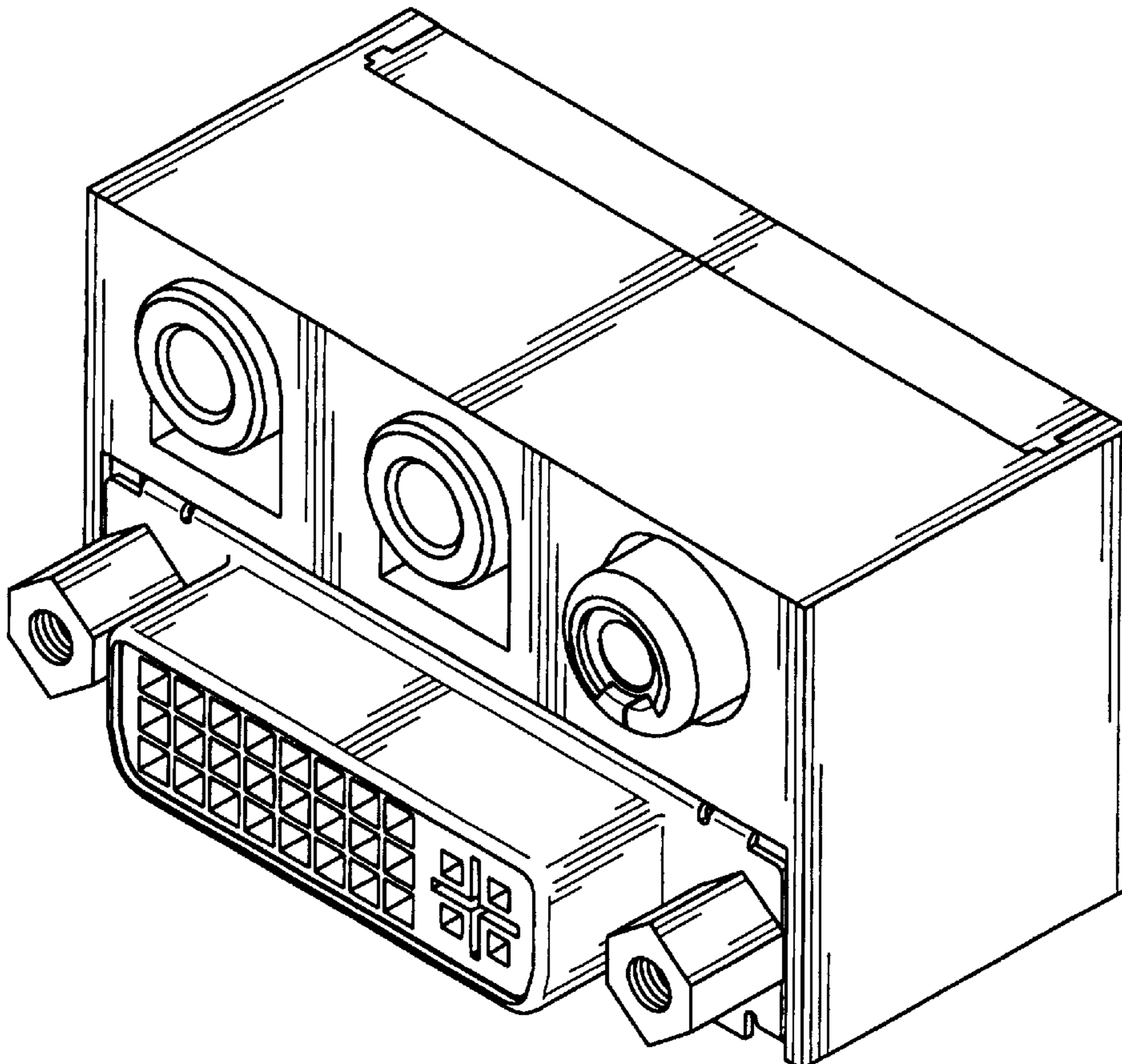
The ornamental design for an electrical connector assembly, as shown.

**DESCRIPTION**

FIG. 1 is a front, top and right side perspective view of an electrical connector assembly showing our new design; FIG. 2 is a front elevational view thereof; FIG. 3 is a rear elevational view thereof; FIG. 4 is a left side elevational view thereof; FIG. 5 is a right side elevational view thereof; FIG. 6 is a top plan view thereof; and, FIG. 7 is a bottom plan view thereof.

**1 Claim, 7 Drawing Sheets**

- (56) **References Cited**
- U.S. PATENT DOCUMENTS**
- 5,125,854 A \* 6/1992 Bassler et al. .... 439/607
- 5,304,069 A \* 4/1994 Brunker et al. .... 439/108
- 5,387,114 A \* 2/1995 Brunker et al. .... 439/108
- 5,558,542 A \* 9/1996 O'Sullivan et al. .... 439/682
- D377,336 S \* 1/1997 Tan et al. .... D13/147
- 5,643,008 A \* 7/1997 Tan et al. .... 439/541.5
- 5,755,592 A \* 5/1998 Hillbish et al. .... 439/541.5



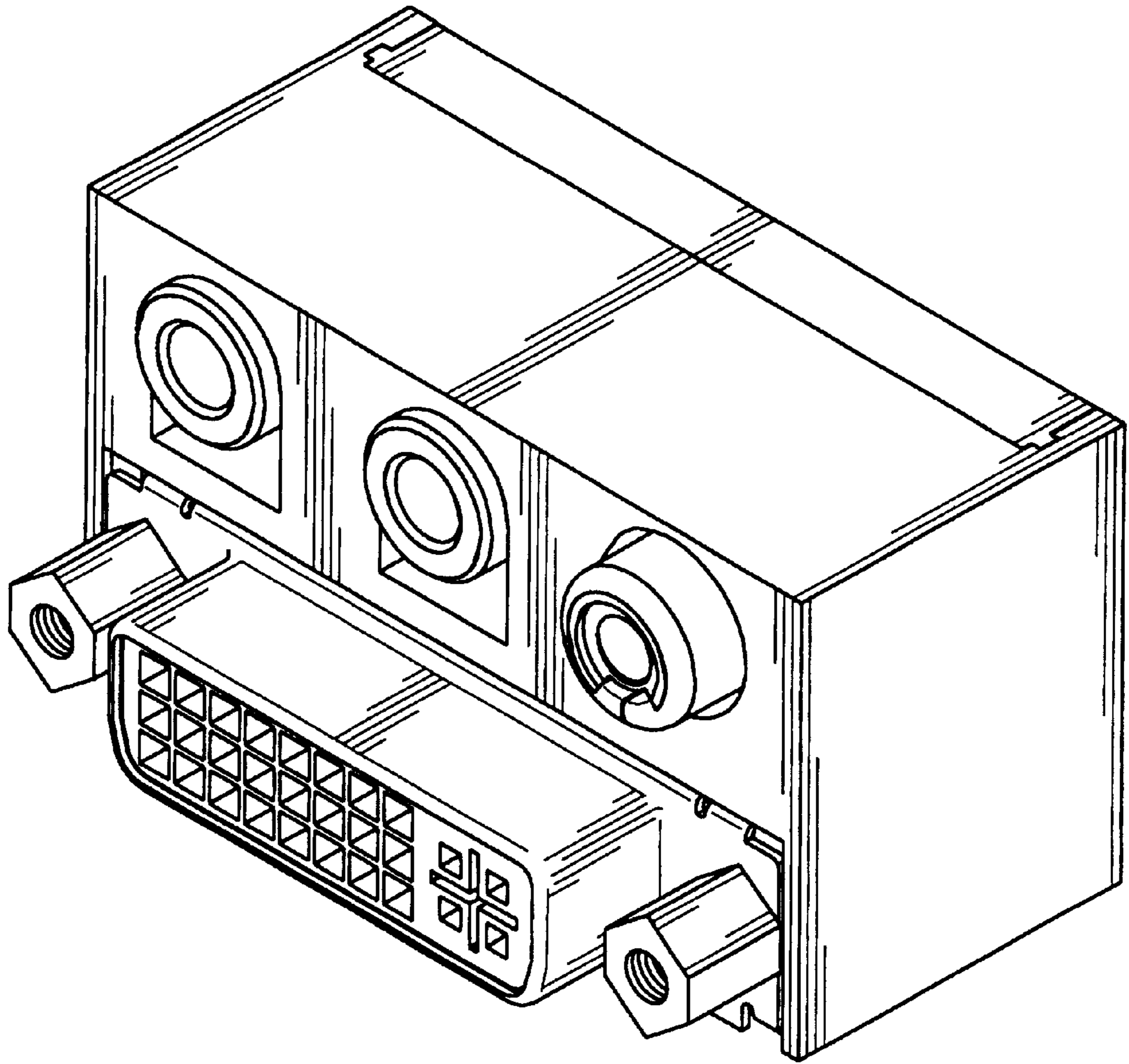


FIG. 1

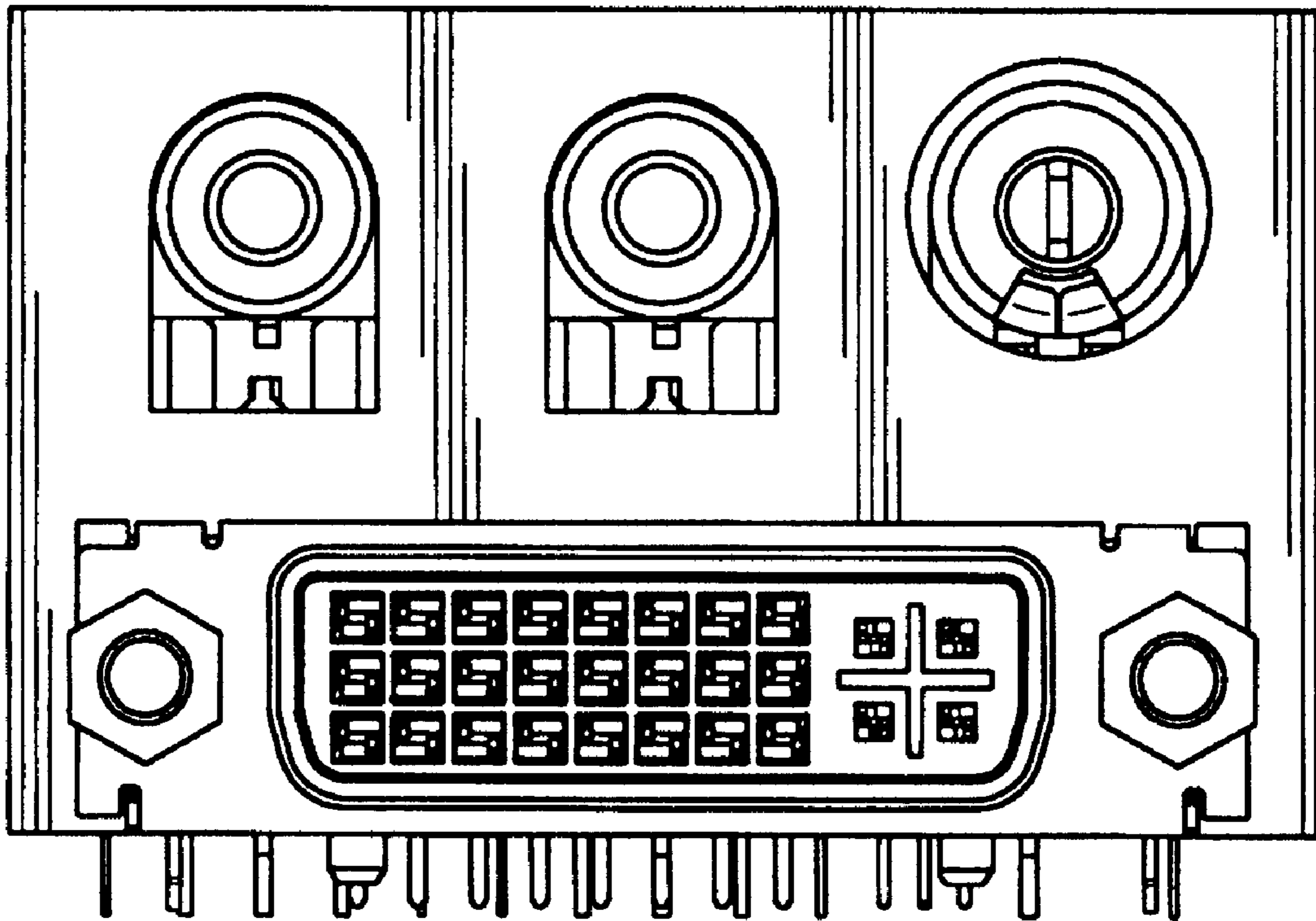


FIG. 2

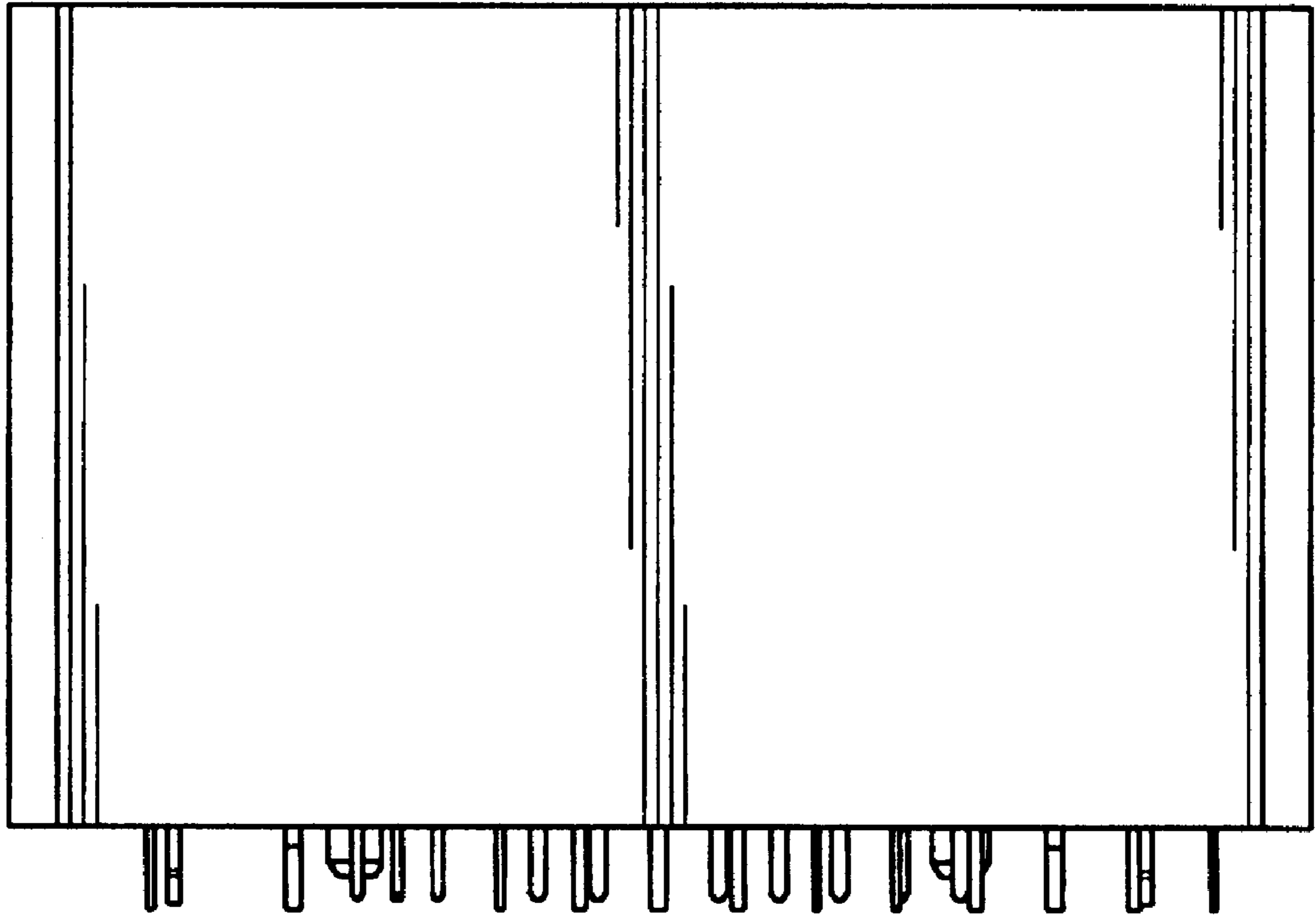


FIG. 3

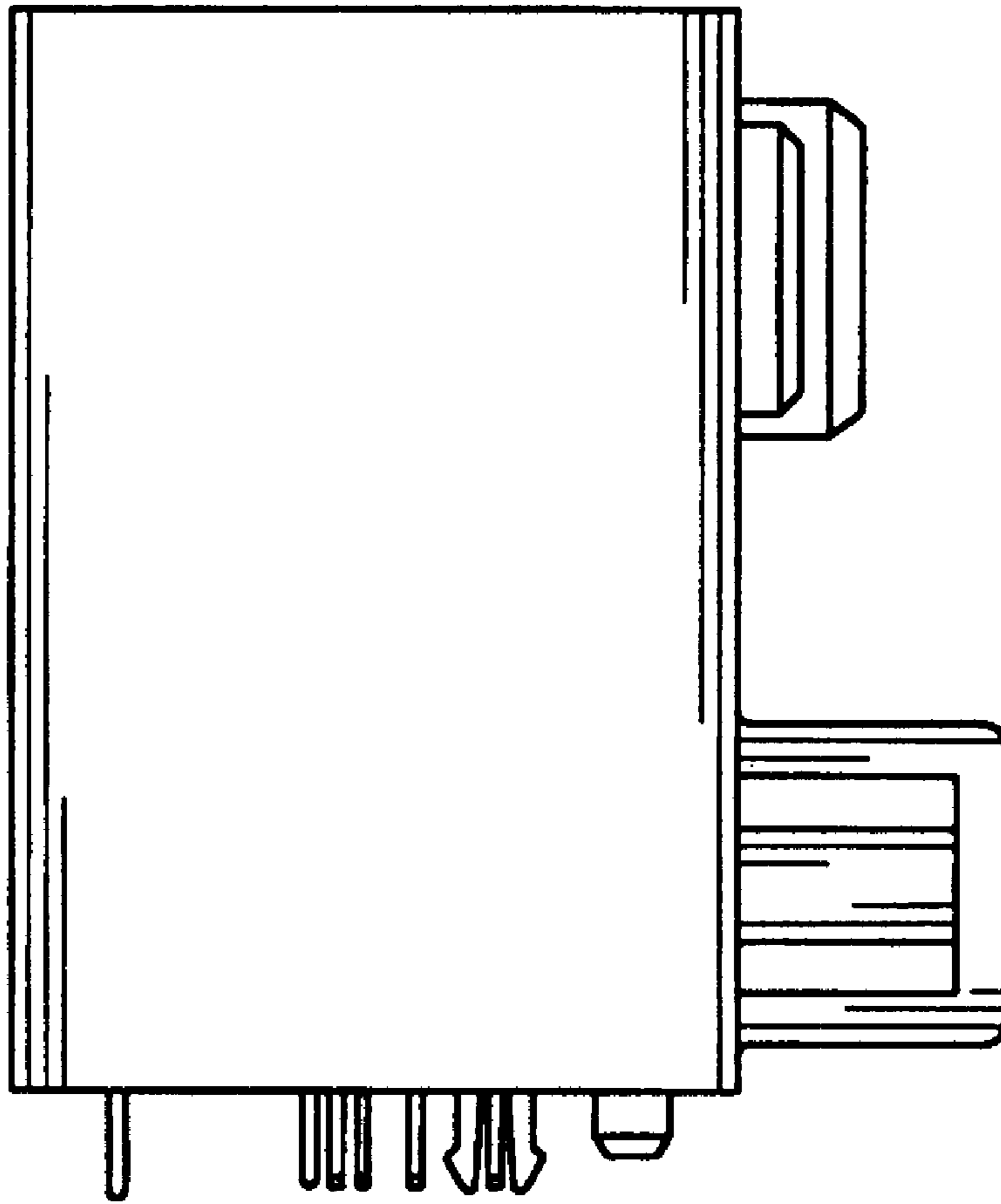


FIG. 4

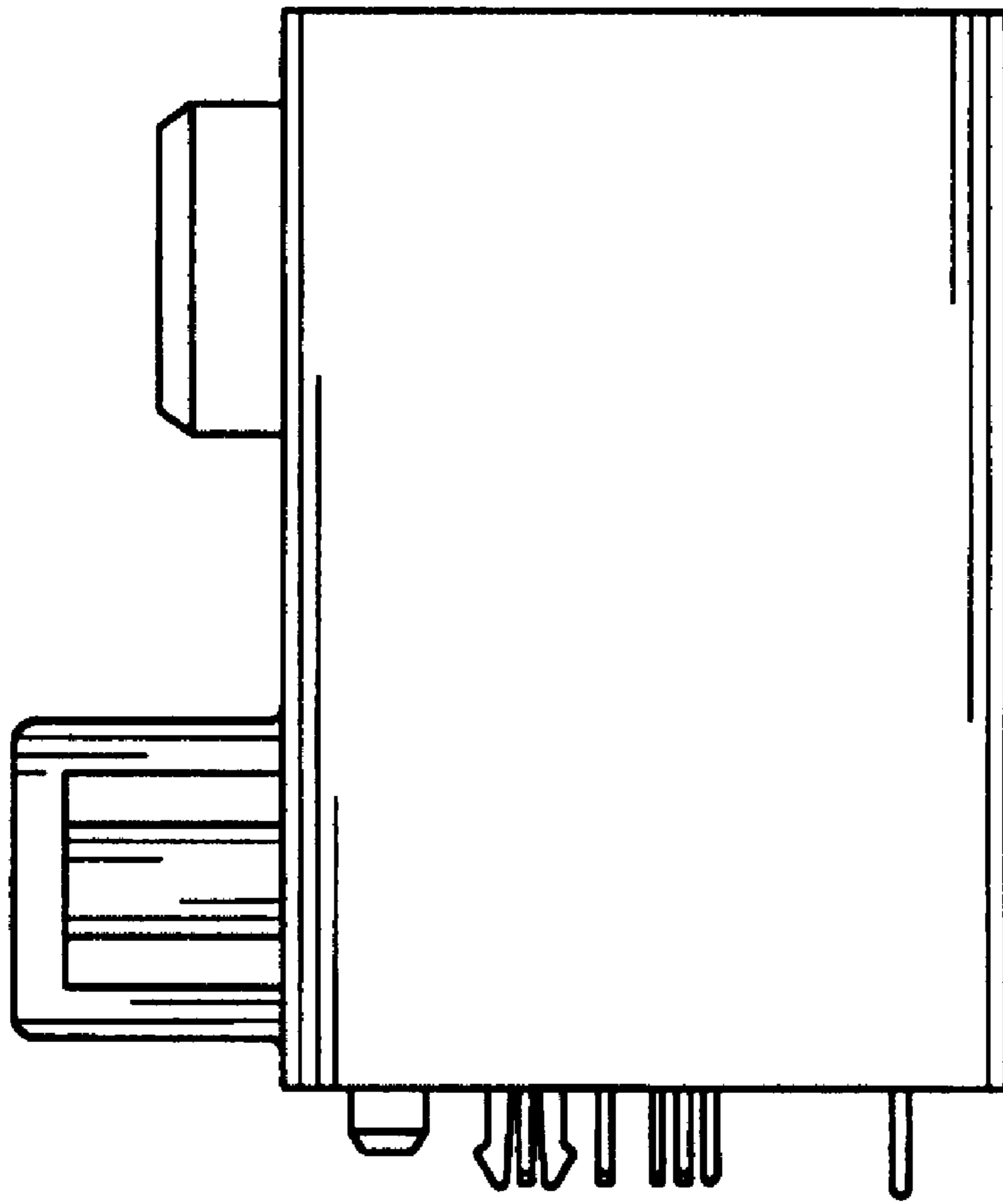


FIG. 5

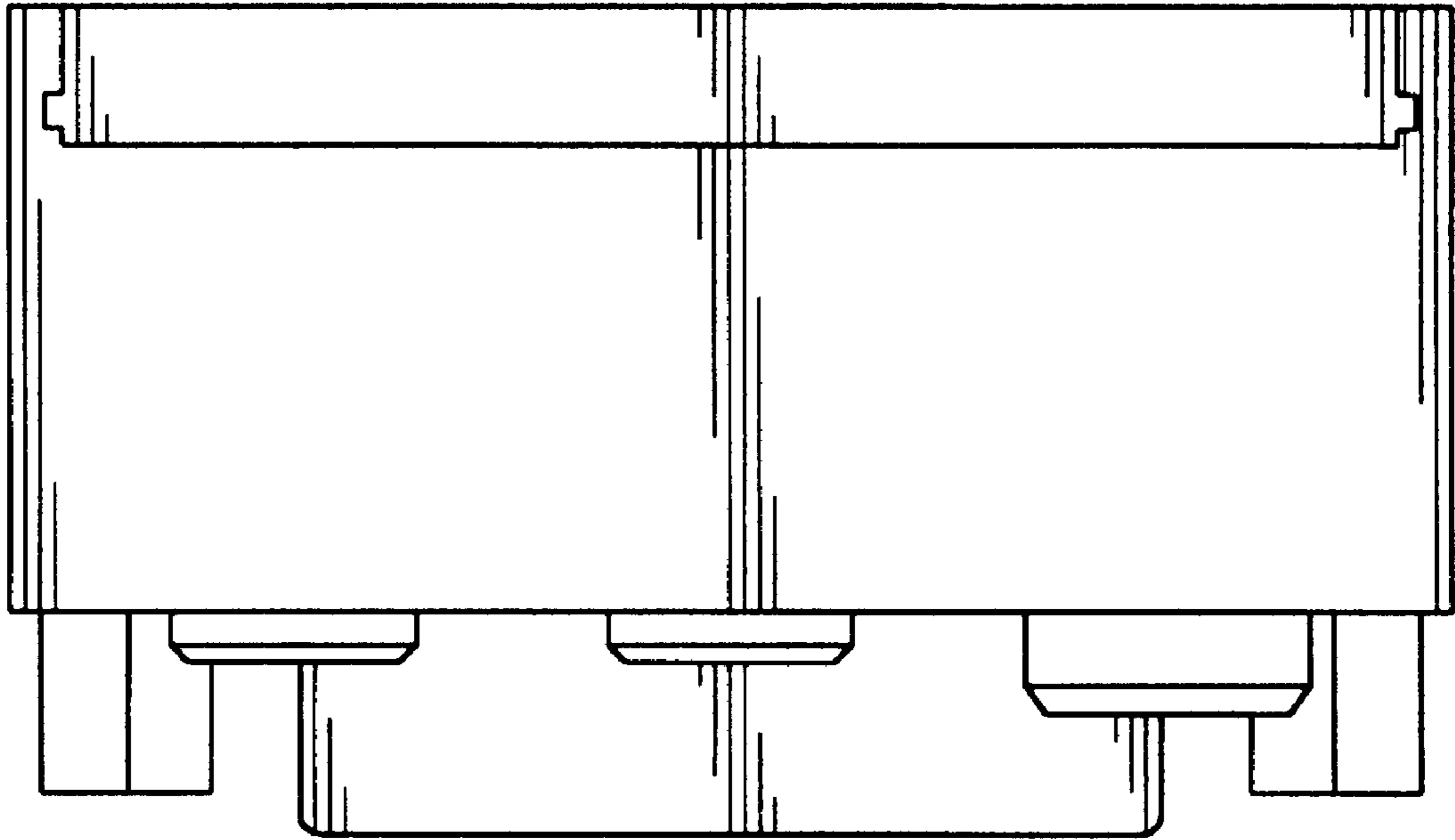


FIG. 6



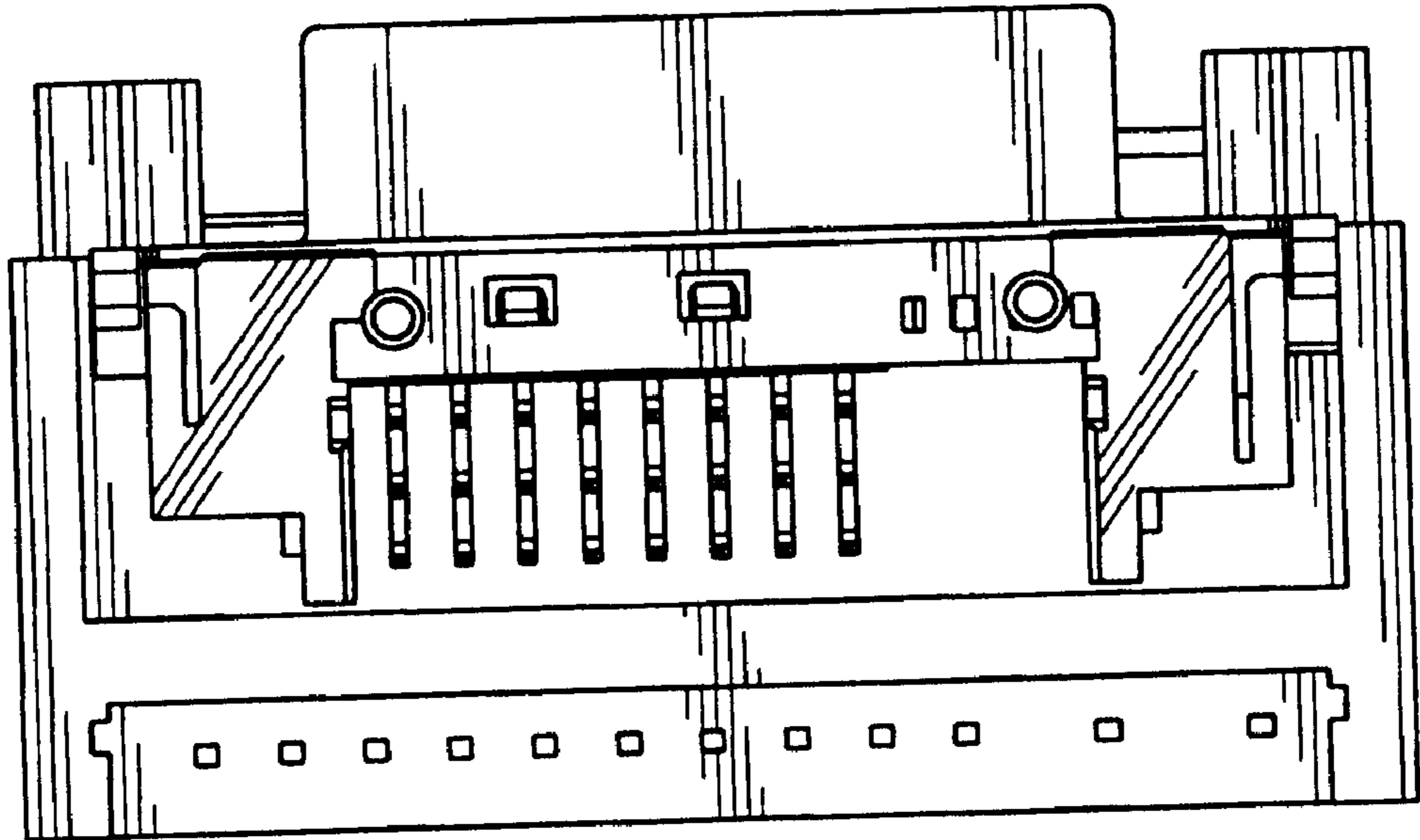


FIG. 7