



US00D453736S

(12) **United States Design Patent**
Shimojyo

(10) **Patent No.:** **US D453,736 S**

(45) **Date of Patent:** **** Feb. 19, 2002**

(54) **ELECTRICAL CONNECTOR**

(75) **Inventor:** **Yasuhiro Shimojyo, Isesaki (JP)**

(73) **Assignee:** **Hosiden Corporation, Osaka (JP)**

(**) **Term:** **14 Years**

(21) **Appl. No.:** **29/139,777**

(22) **Filed:** **Apr. 6, 2001**

(30) **Foreign Application Priority Data**

Oct. 18, 2000 (JP) 2000-029510

(51) **LOC (7) Cl. 13-03**

(52) **U.S. Cl. D13/147**

(58) **Field of Search D13/133, 146,**
D13/147; 439/352, 582, 687, 694, 696,
731, 844, 854, 855

(56) **References Cited**

U.S. PATENT DOCUMENTS

2,000,318 A * 5/1935 Cannon 439/352
3,950,069 A * 4/1976 Wiley 439/694
4,964,815 A * 10/1990 Kawai et al. 439/906 X

D342,054 S * 12/1993 Woodman D13/146
5,876,231 A * 3/1999 Pacher 439/354
5,993,230 A * 11/1999 Gauker et al. 439/352 X
6,056,575 A * 5/2000 Sato et al. 439/731 X
D430,110 S * 8/2000 Arai D13/147
6,276,953 B1 * 8/2001 Gauker et al. 439/352

* cited by examiner

Primary Examiner—Joel Sincavage

(74) *Attorney, Agent, or Firm*—Griffin & Szipl, P.C.

(57) **CLAIM**

The ornamental design for an electrical connector, as shown and described.

DESCRIPTION

FIG. 1 is a front elevation view of an electrical connector showing my new design;
FIG. 2 is a rear elevation view thereof;
FIG. 3 is a top plan view thereof;
FIG. 4 is a bottom plan view thereof;
FIG. 5 is a left side elevation view thereof; and,
FIG. 6 is a right side elevation view thereof.

1 Claim, 3 Drawing Sheets

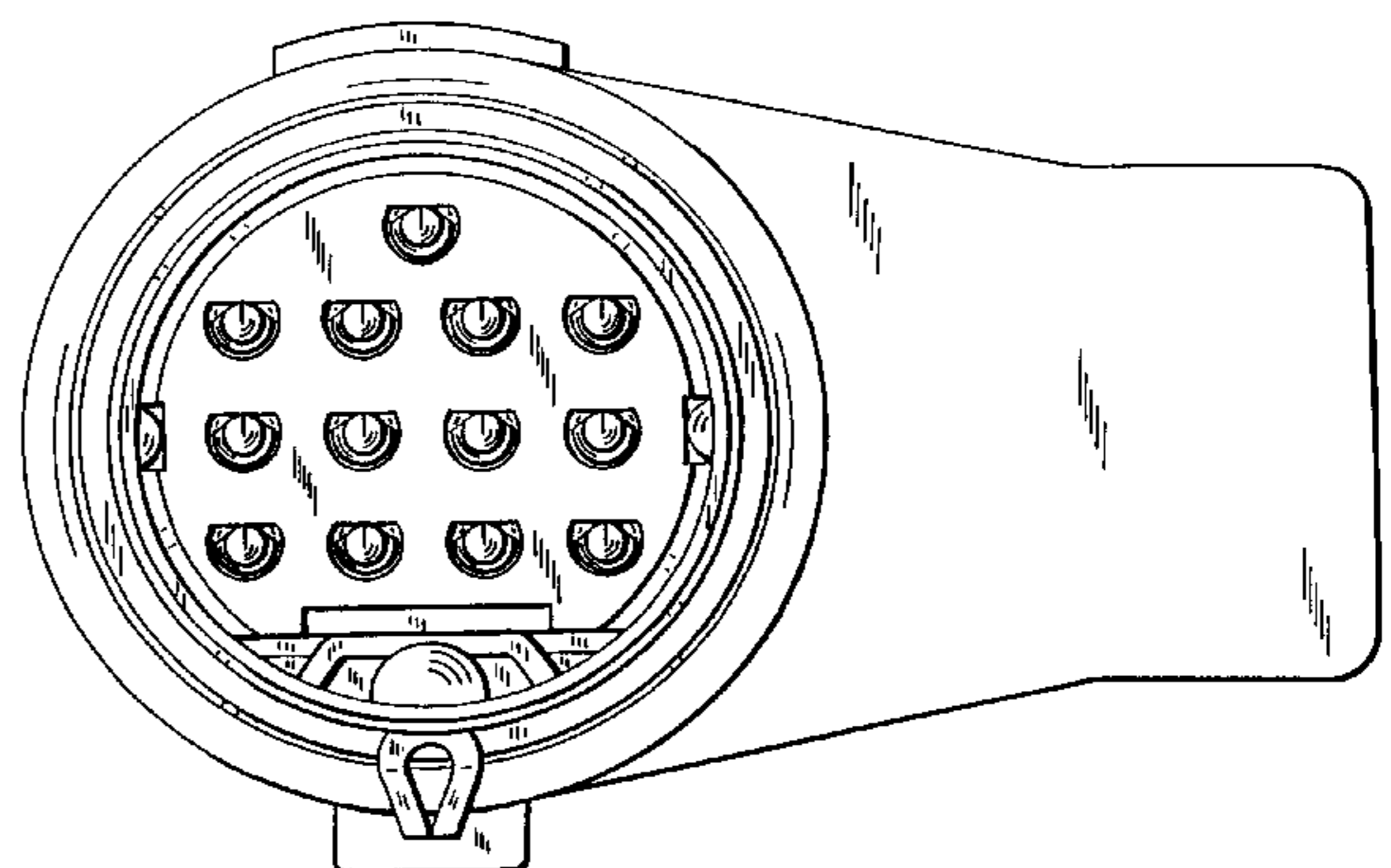
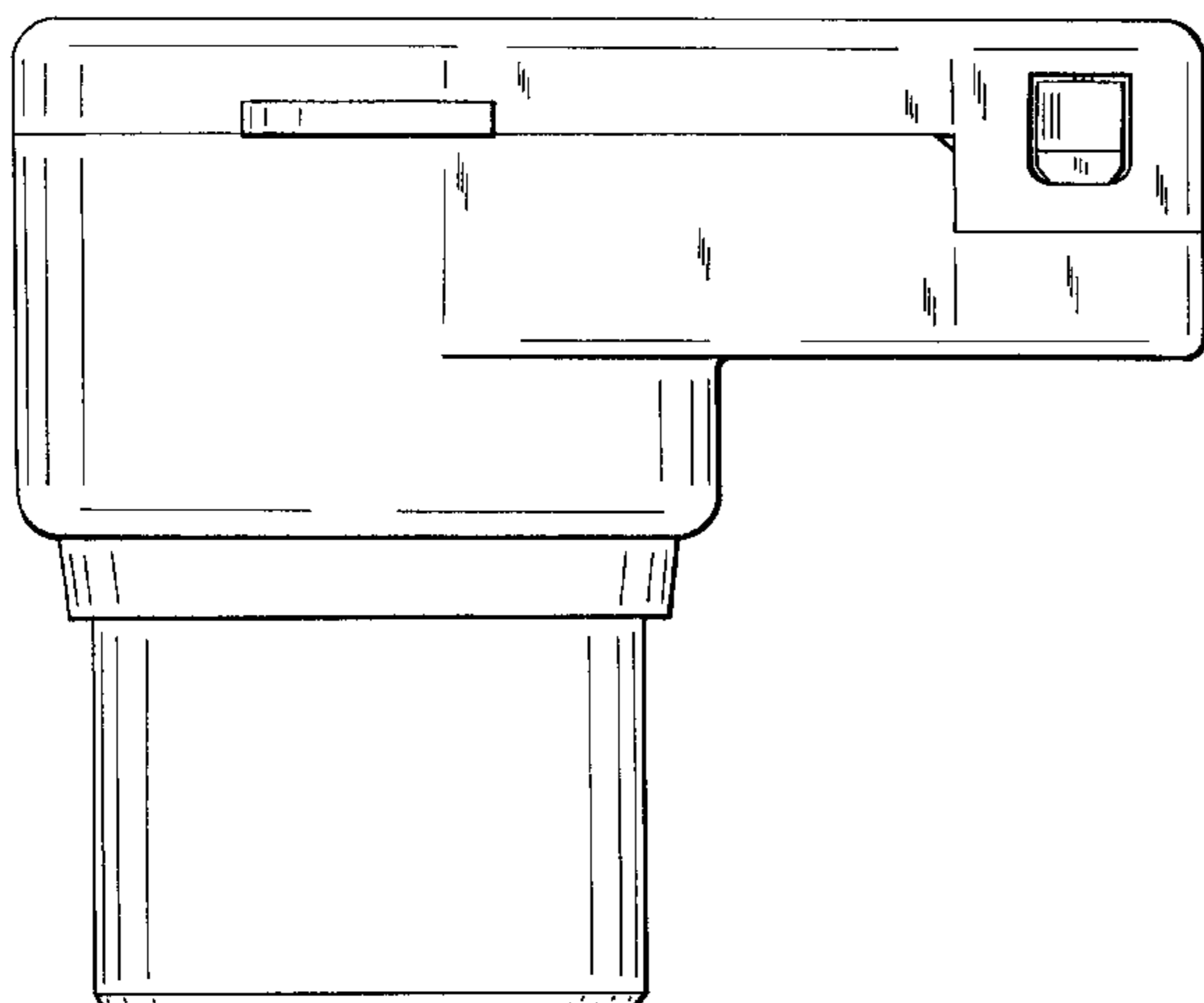


Fig. 1

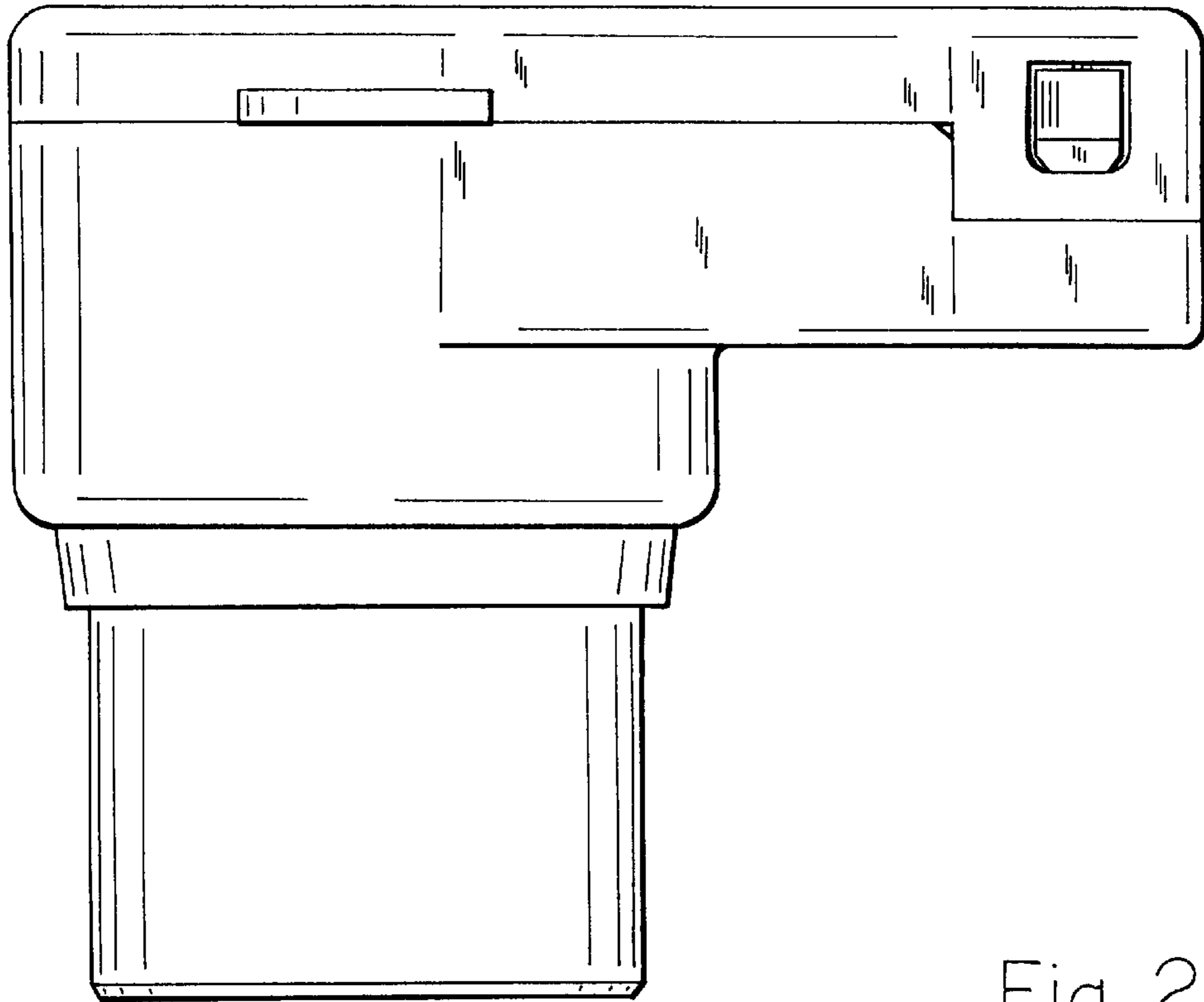


Fig. 2

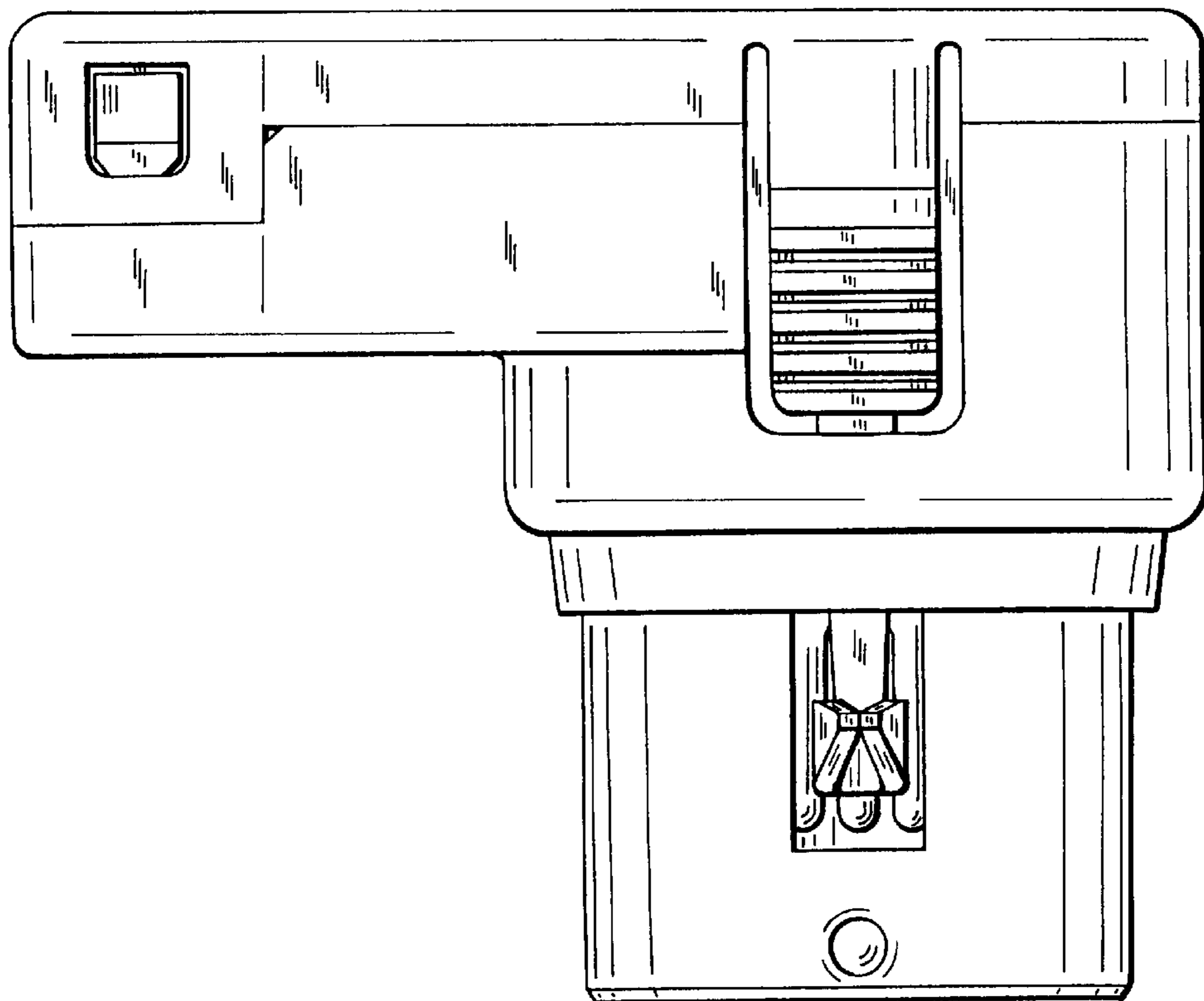


Fig. 3

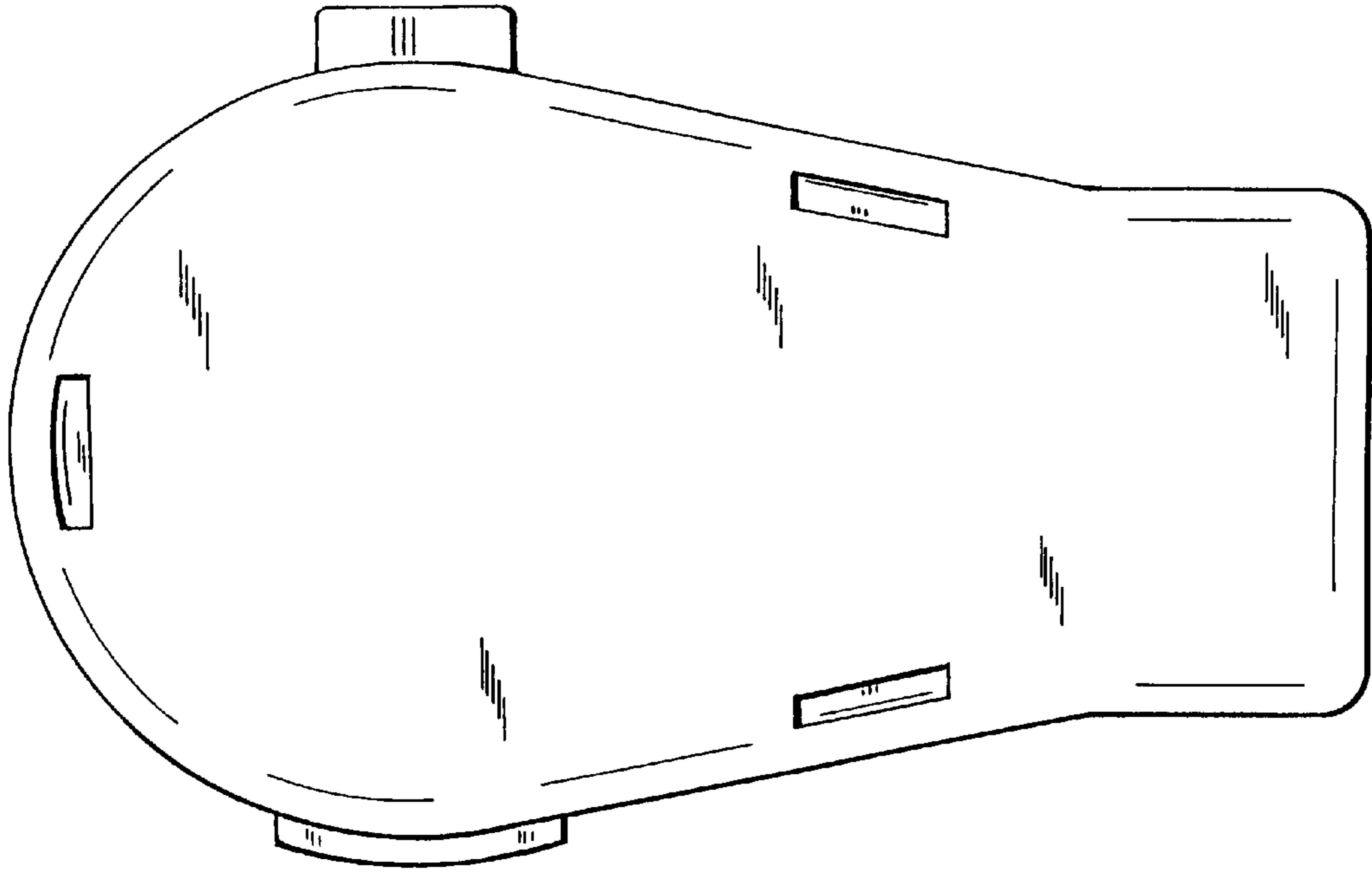


Fig. 4

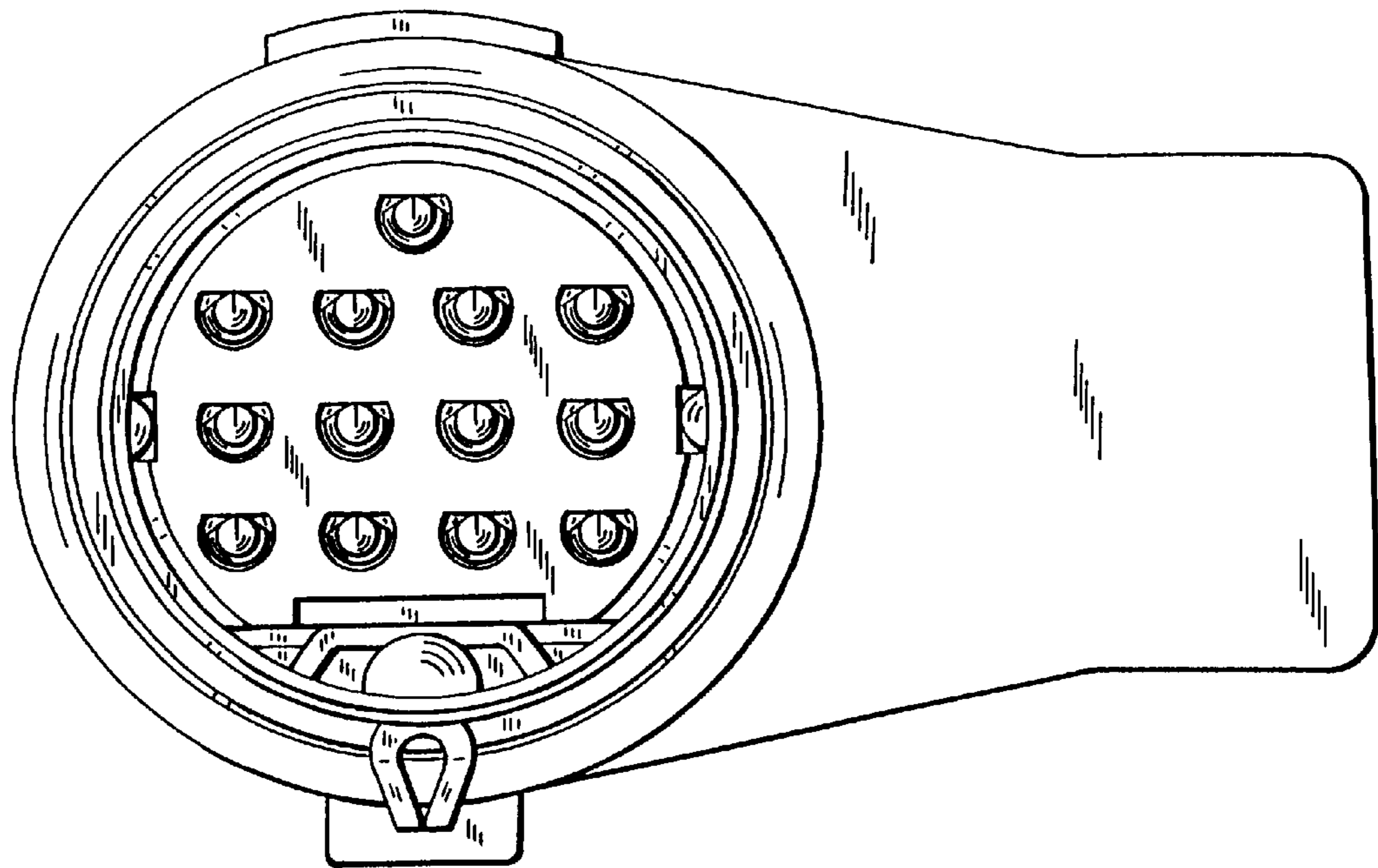


Fig. 5

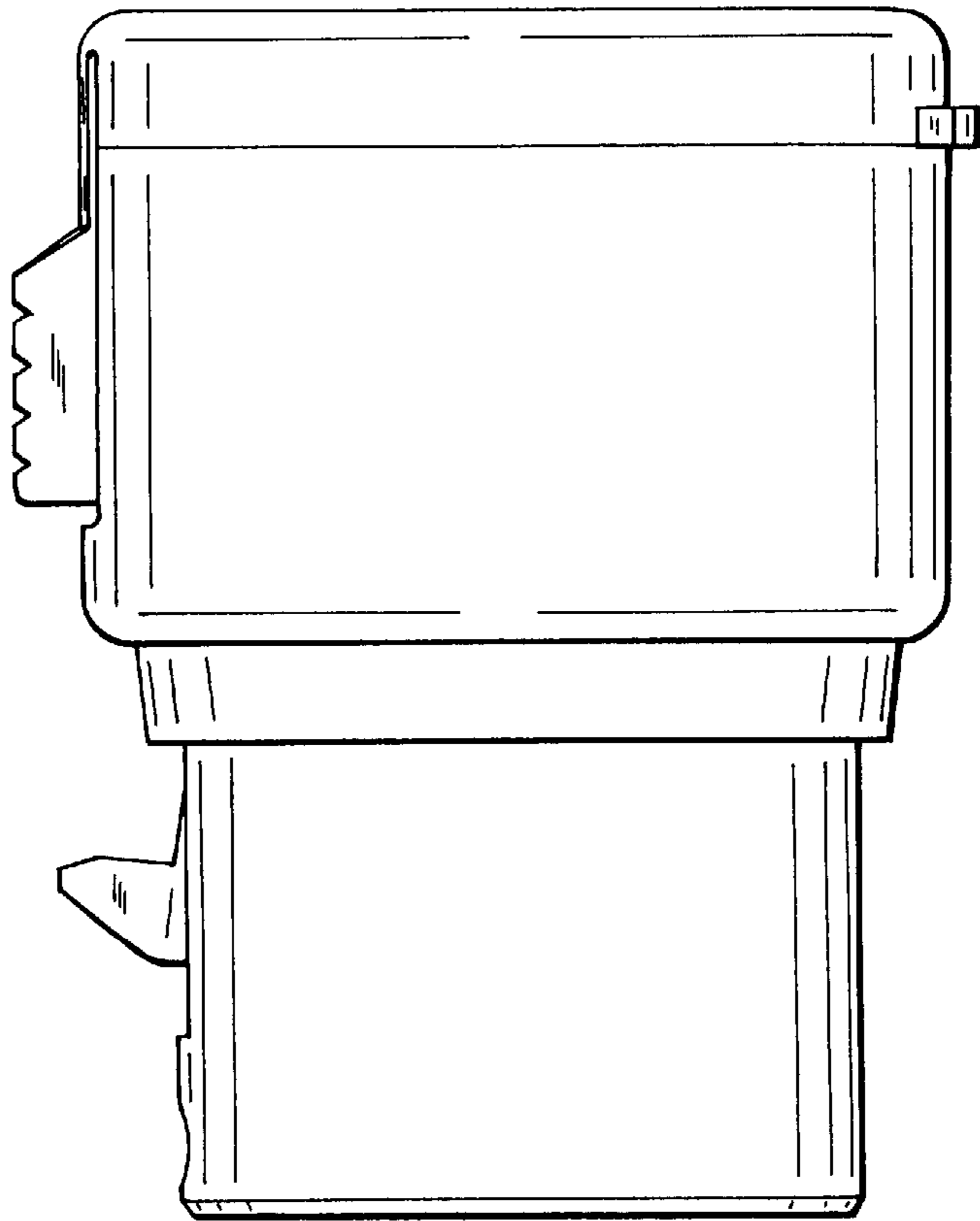


Fig. 6

