



US00D453735S

(12) **United States Design Patent**
Yoneyama et al.

(10) **Patent No.:** **US D453,735 S**

(45) **Date of Patent:** **** Feb. 19, 2002**

(54) **ELECTRICAL CONNECTOR**

(75) Inventors: **Atsushi Yoneyama**, Nagano (JP);
Hung-Chi Yu, Hsi-Chih (TW)

(73) Assignee: **Hon Hai Precision Ind. Co., Ltd.**,
Taipei Hsien (TW)

(**) Term: **14 Years**

(21) Appl. No.: **29/134,781**

(22) Filed: **Dec. 28, 2000**

(51) **LOC (7) Cl.** **13-03**

(52) **U.S. Cl.** **D13/147**

(58) **Field of Search** D13/146, 147;
439/79, 607-610, 540.1, 108

(56) **References Cited**

U.S. PATENT DOCUMENTS

4,975,084	A	*	12/1990	Fedder et al.	439/608
5,104,341	A	*	4/1992	Gilissen et al.	439/608
5,277,624	A	*	1/1994	Champion et al.	439/607
5,356,301	A	*	10/1994	Champion et al.	439/108
5,385,489	A	*	1/1995	Schnell	439/571
5,429,521	A	*	7/1995	Morlion et al.	439/108
5,453,016	A	*	9/1995	Clark et al.	439/79
5,490,787	A	*	2/1996	Bowman et al.	439/79
5,605,476	A	*	2/1997	McNamara et al.	439/608
5,639,250	A	*	6/1997	Neef et al.	439/79
5,664,968	A	*	9/1997	Mickiewicz	439/608
5,743,765	A	*	4/1998	Andrews et al.	439/608

5,785,537	A	*	7/1998	Donahue et al.	439/79
5,807,119	A	*	9/1998	Baechtle et al.	439/79
5,842,872	A	*	12/1998	Hosler, Sr. et al.	439/63
5,857,265	A	*	1/1999	Etiembre et al.	29/884
5,924,899	A	*	7/1999	Paagman	439/701
5,961,355	A	*	10/1999	Morlion et al.	439/686
5,967,844	A	*	10/1999	Doutrich et al.	439/607
6,083,047	A	*	7/2000	Paagman	439/608
6,102,747	A	*	8/2000	Paagman	439/701
6,116,926	A	*	9/2000	Ortega et al.	439/108
6,120,306	A	*	9/2000	Evans	439/608 X
6,139,366	A	*	10/2000	van Woensel	439/609
6,210,180	B1	*	4/2001	Lee et al.	439/79

* cited by examiner

Primary Examiner—Joel Sincavage

(74) *Attorney, Agent, or Firm*—Wei Te Chung

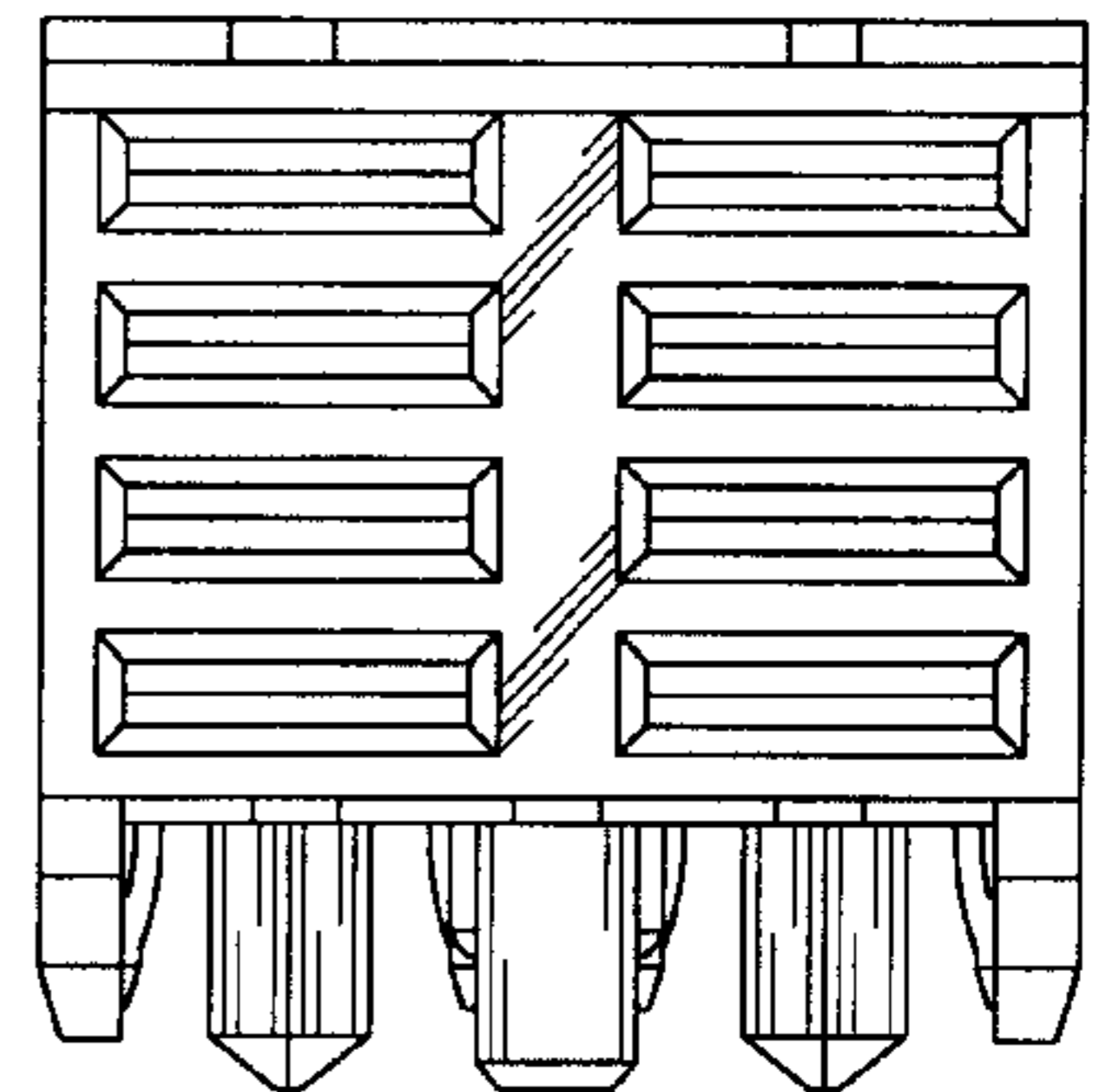
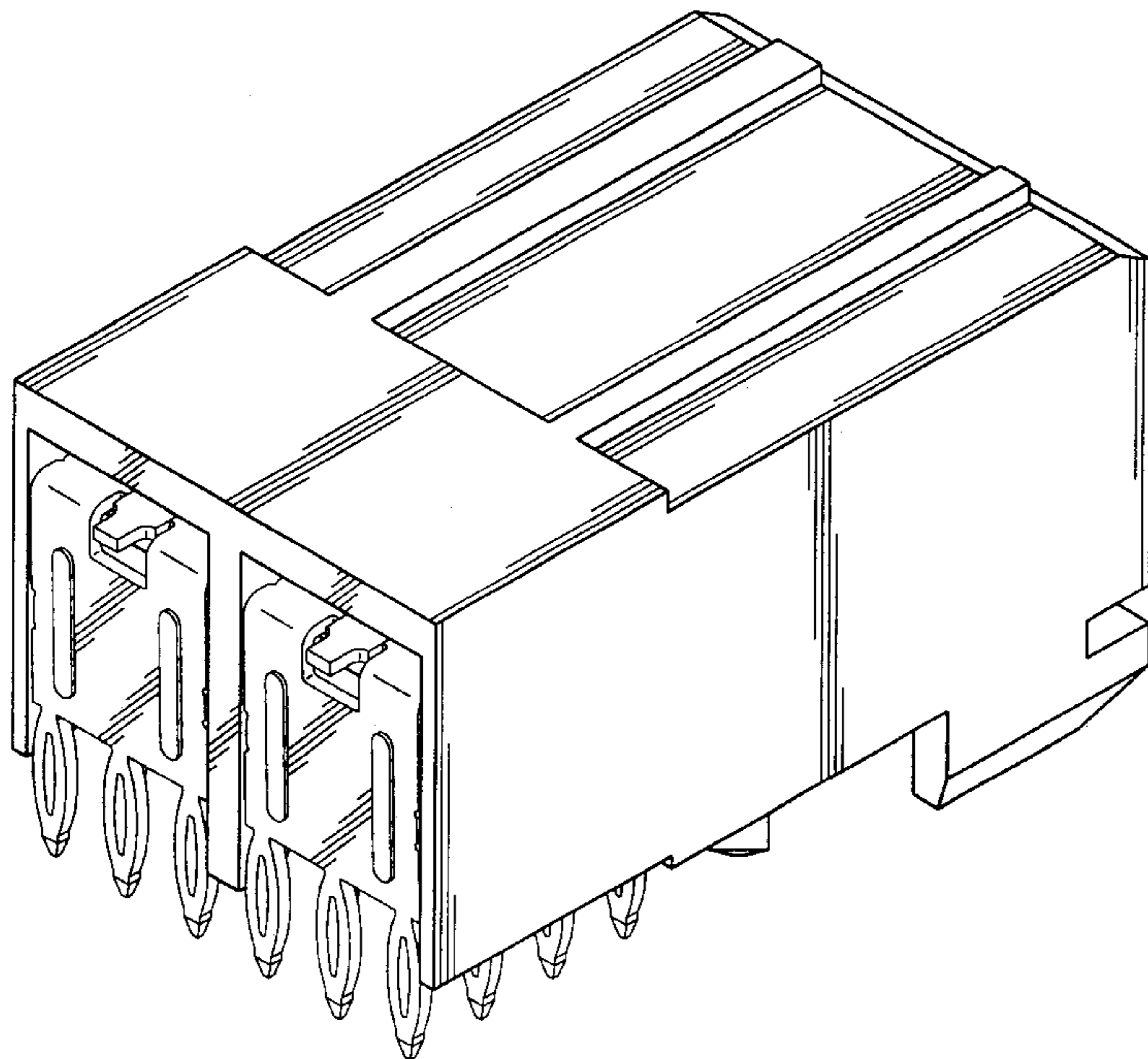
(57) **CLAIM**

The ornamental design for an electrical connector, as shown.

DESCRIPTION

FIG. 1 is a front, top and right side perspective view of an electrical connector showing our new design; FIG. 2 is a front elevational view thereof; FIG. 3 is a rear elevational view thereof; FIG. 4 is a left side elevational view thereof; FIG. 5 is a right side elevational view thereof; FIG. 6 is a top plan view thereof; and, FIG. 7 is a bottom plan view thereof.

1 Claim, 7 Drawing Sheets



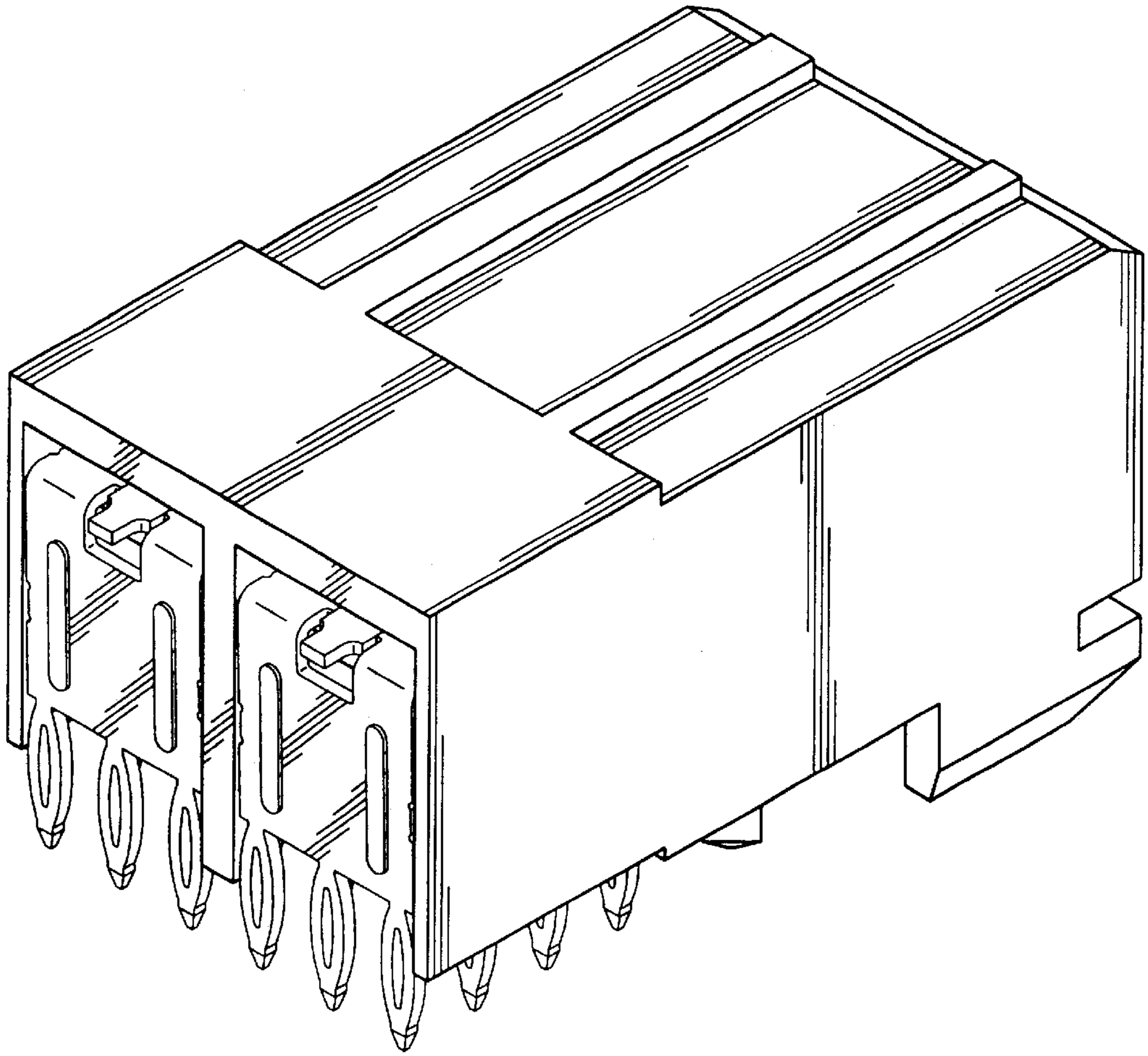


FIG. 1

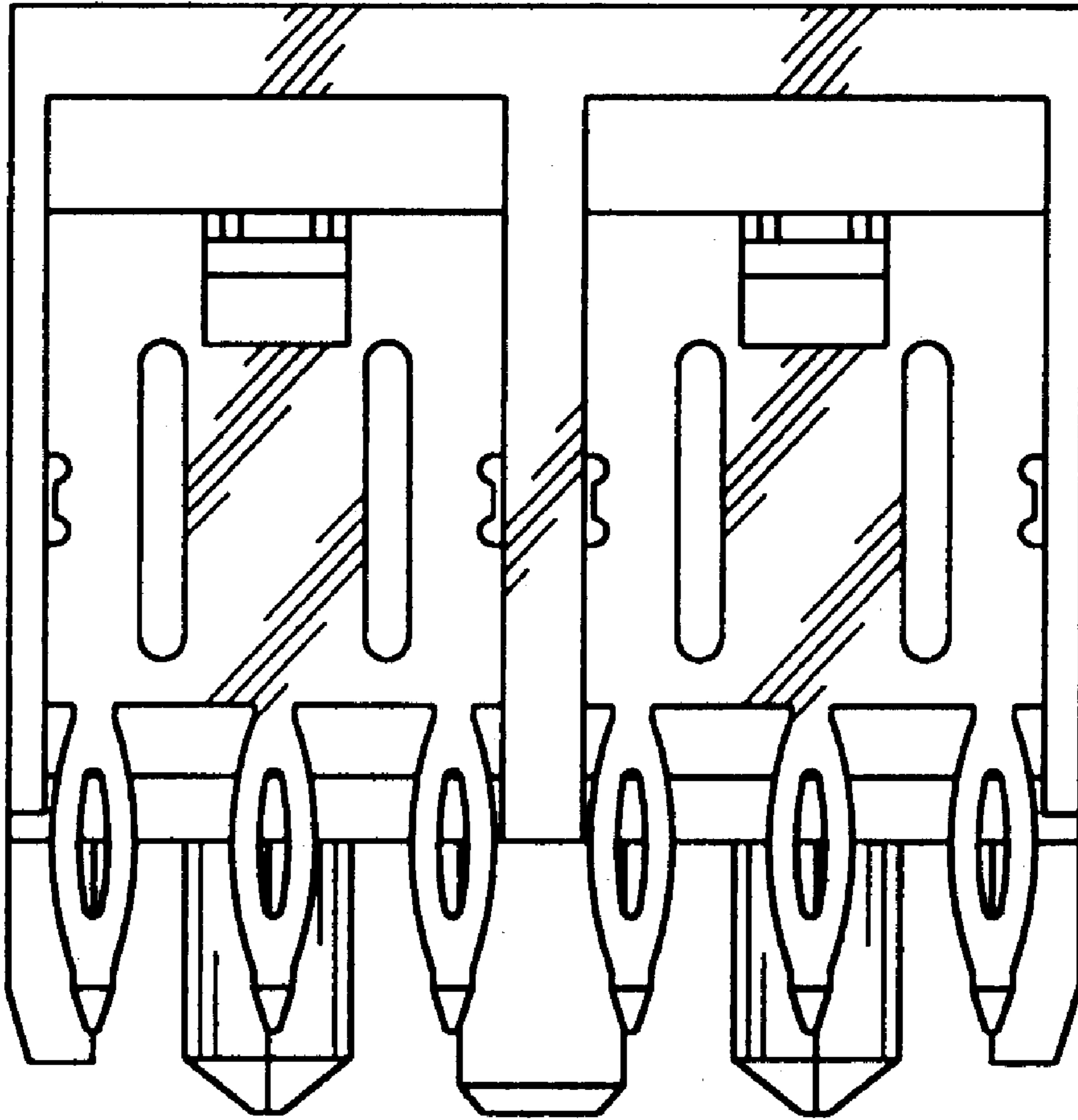


FIG. 2

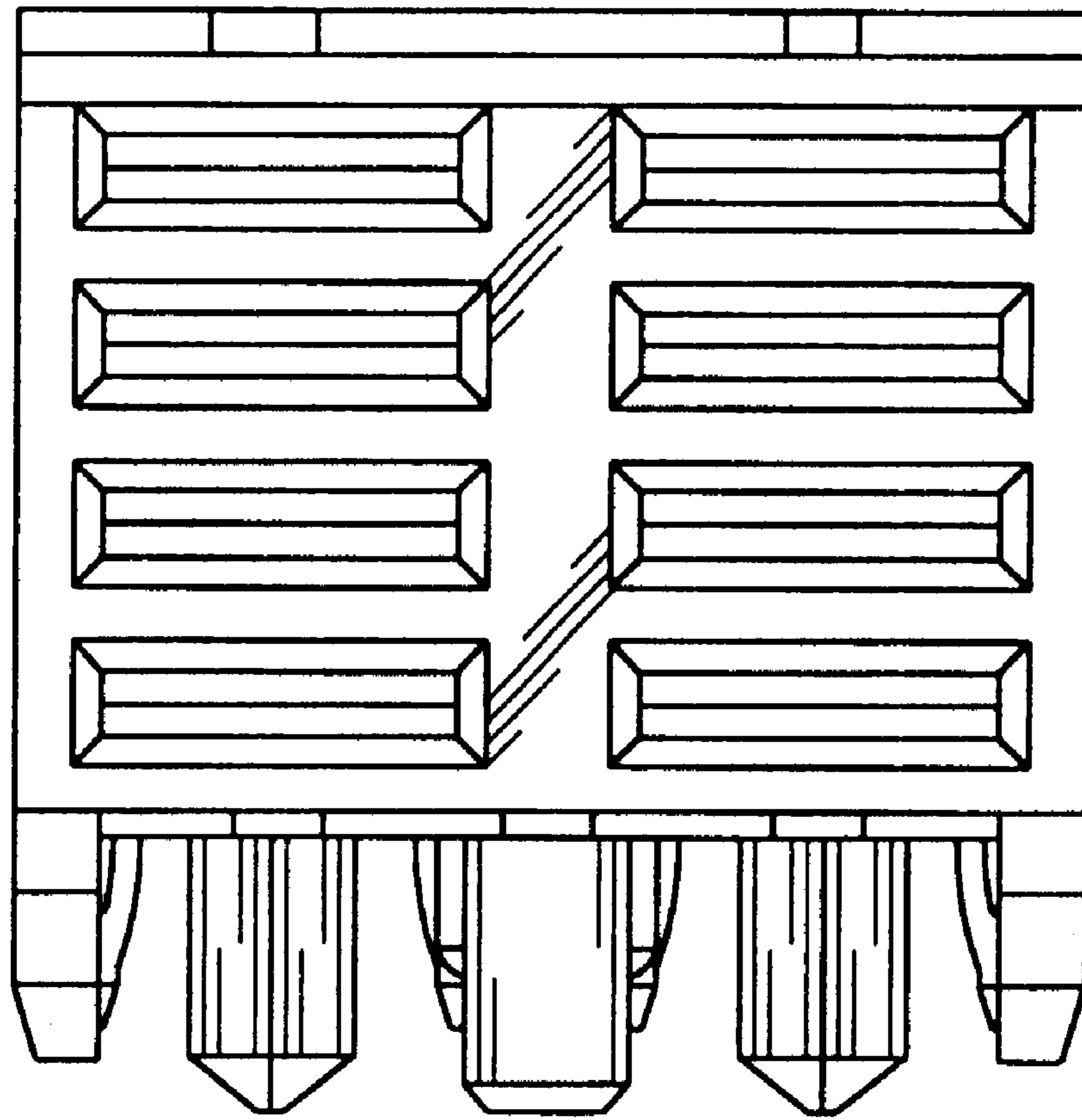


FIG. 3

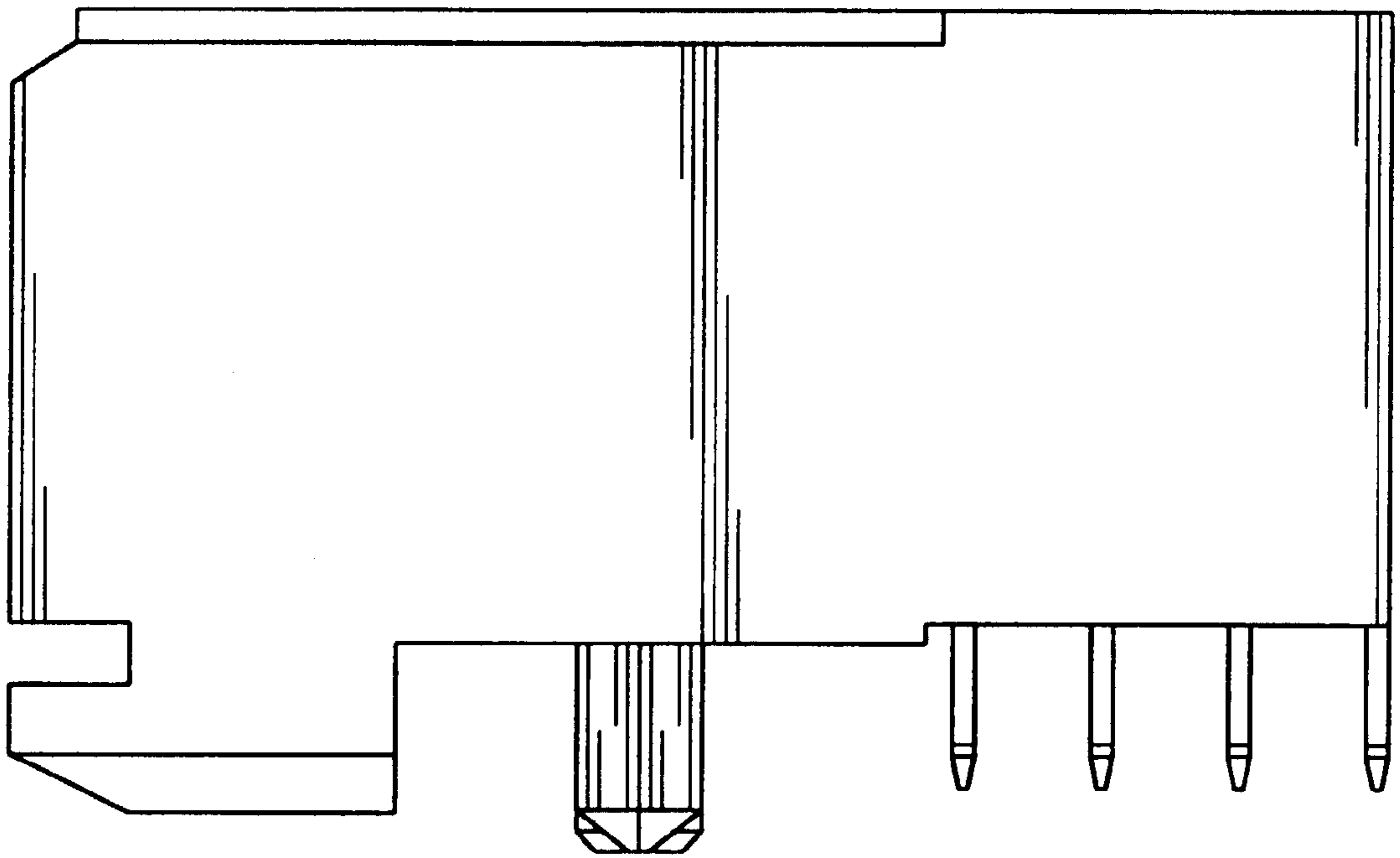


FIG. 4

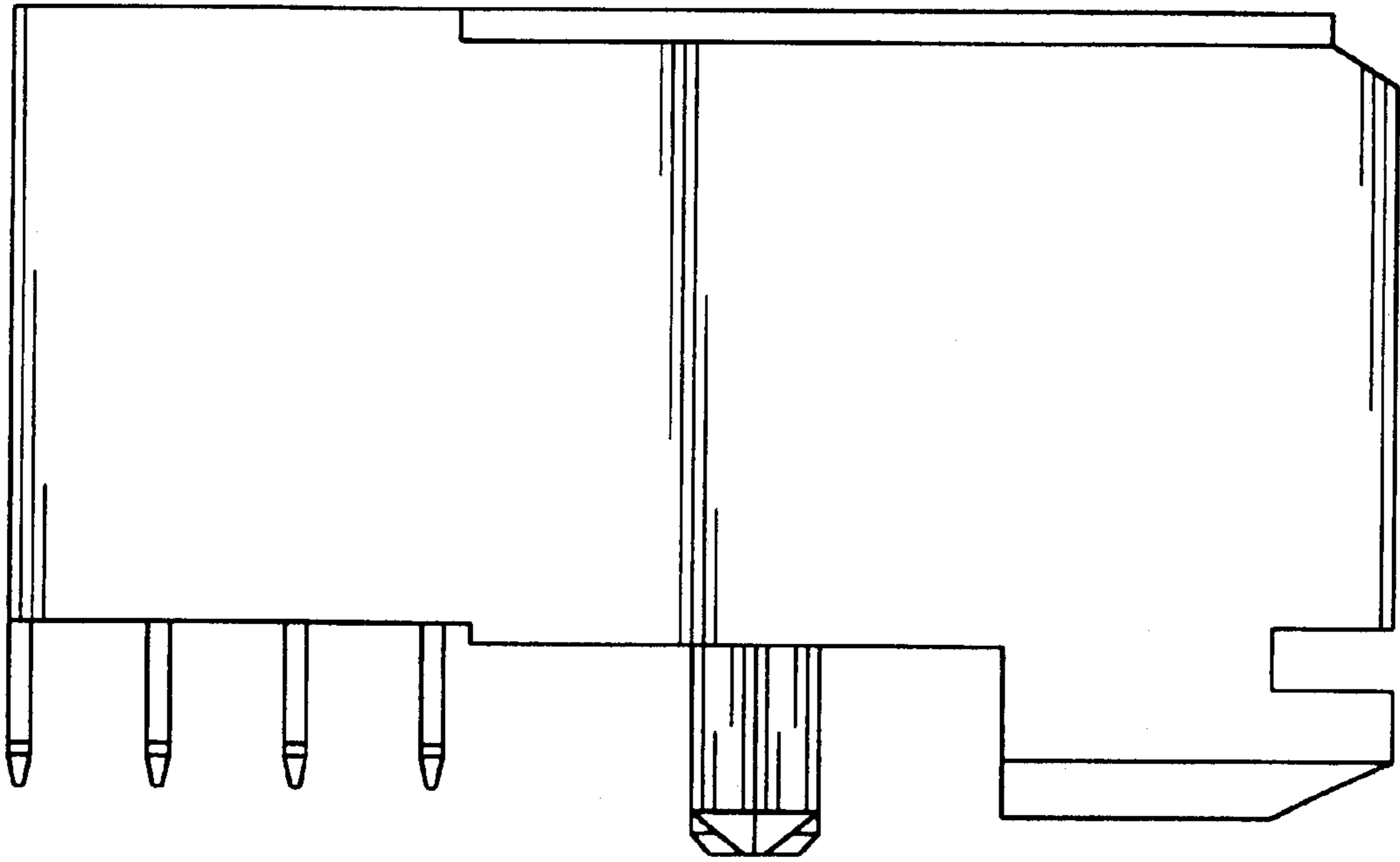


FIG. 5

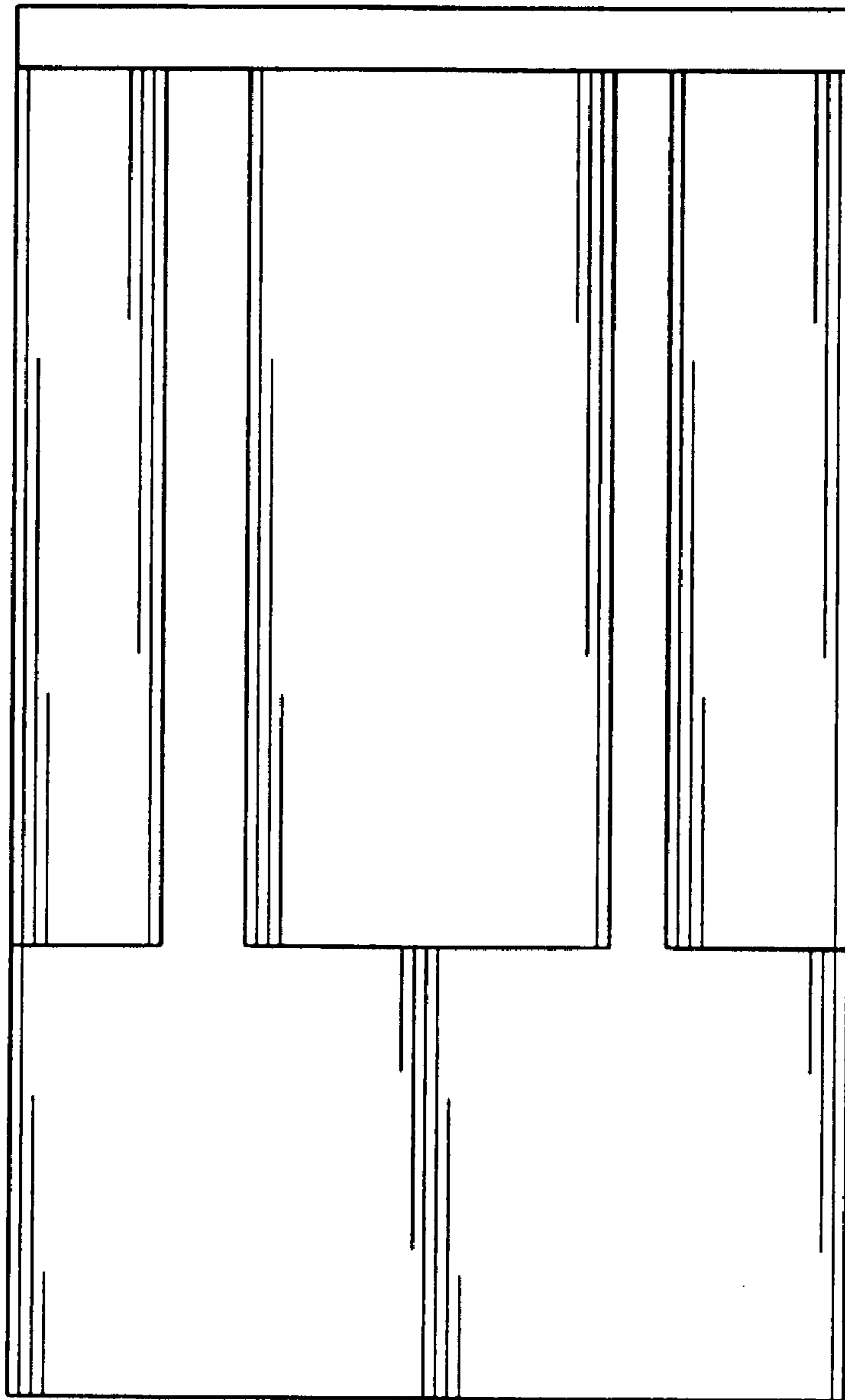


FIG. 6

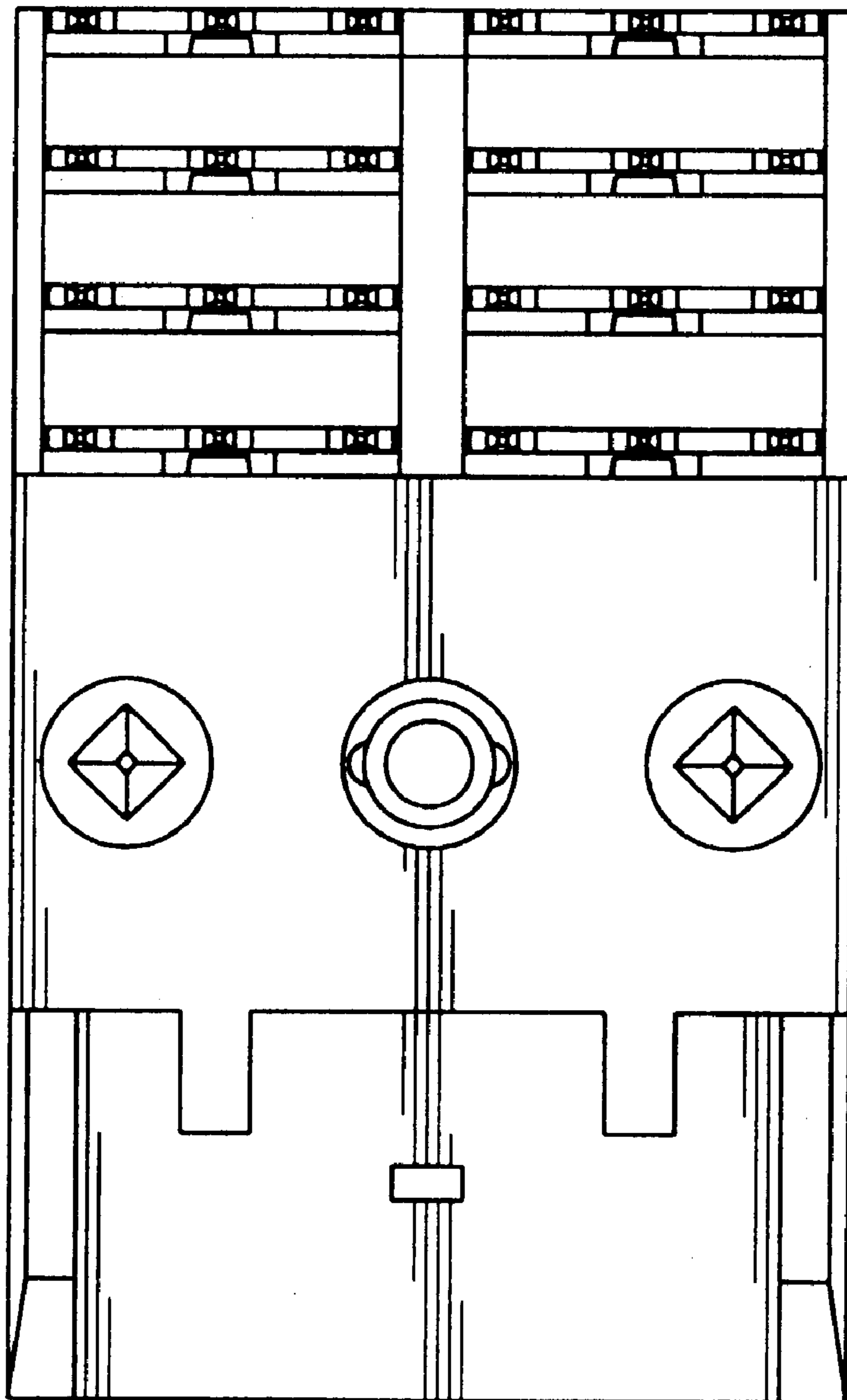


FIG. 7