



US00D453733S

(12) **United States Design Patent**
Florescu

(10) **Patent No.:** **US D453,733 S**

(45) **Date of Patent:** **** Feb. 19, 2002**

(54) **BULLET RF CONNECTOR**

6,280,214 B1 * 8/2001 Chang 439/188

(75) Inventor: **Dan Florescu**, Burnaby (CA)

* cited by examiner

(73) Assignee: **Sierra Wireless, Inc.**, Richmond (CA)

Primary Examiner—Joel Sincavage

(**) Term: **14 Years**

(74) *Attorney, Agent, or Firm*—Burns Doane Swecker & Mathis LLP

(21) Appl. No.: **29/140,112**

(57) **CLAIM**

(22) Filed: **Apr. 11, 2001**

The ornamental design for a bullet RF connector, as shown and described.

(51) **LOC (7) Cl.** **13-03**

(52) **U.S. Cl.** **D13/146**

(58) **Field of Search** D13/146; 439/63;
333/12

DESCRIPTION

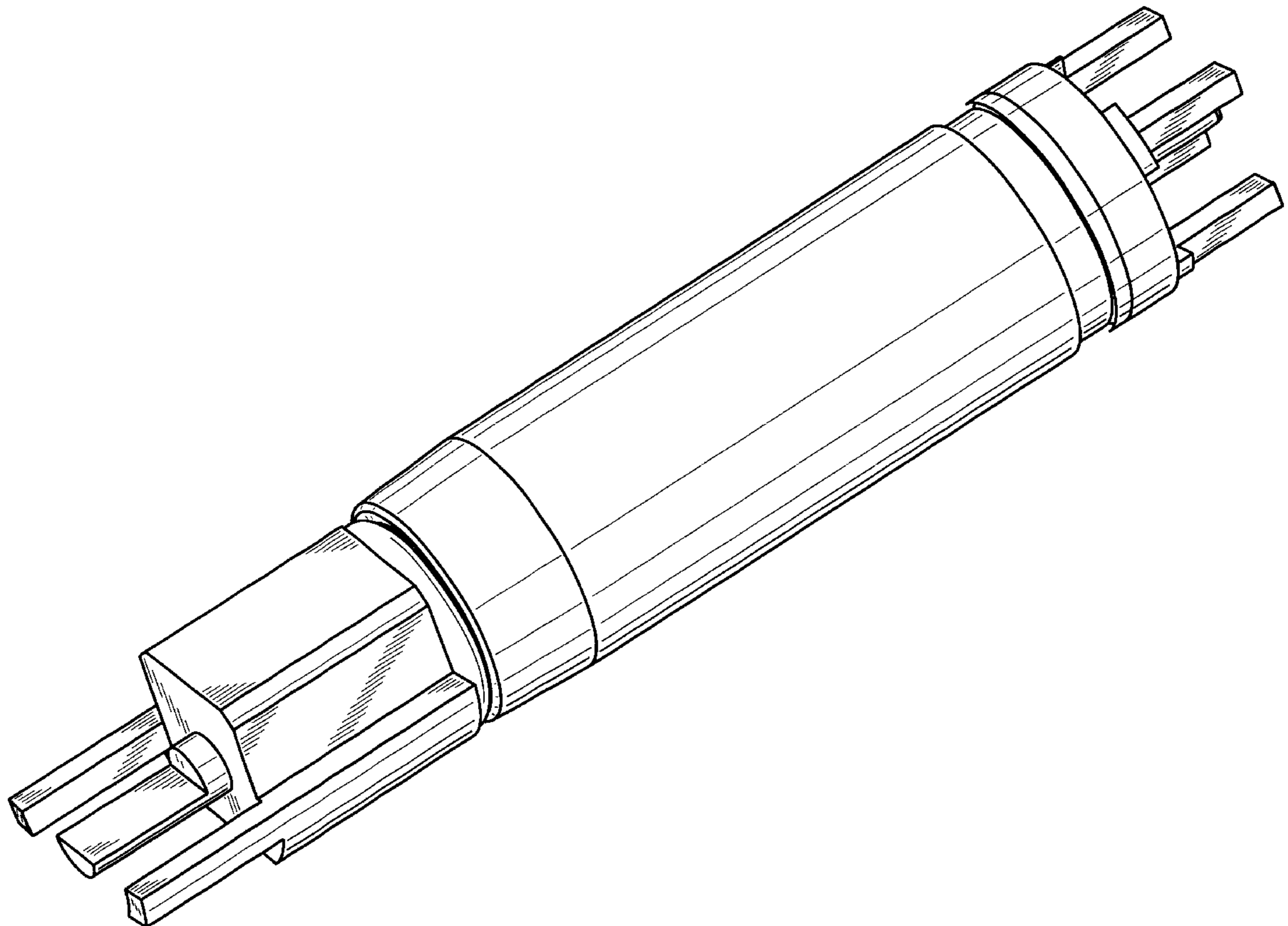
(56) **References Cited**

U.S. PATENT DOCUMENTS

- 3,828,304 A * 8/1974 Winn 439/578
- 6,053,744 A * 4/2000 Gray et al. 439/63
- 6,113,410 A * 9/2000 Heit et al. 439/321
- 6,234,688 B1 * 5/2001 Boger et al. 385/92

FIG. 1 is a perspective view of a bullet RF connector showing my new design;
 FIG. 2 is a left elevation view thereof;
 FIG. 3 is a front elevation view thereof;
 FIG. 4 is a right elevation view thereof;
 FIG. 5 is a top elevation view thereof;
 FIG. 6 is a bottom elevation view thereof; and,
 FIG. 7 is an exploded view thereof.

1 Claim, 3 Drawing Sheets



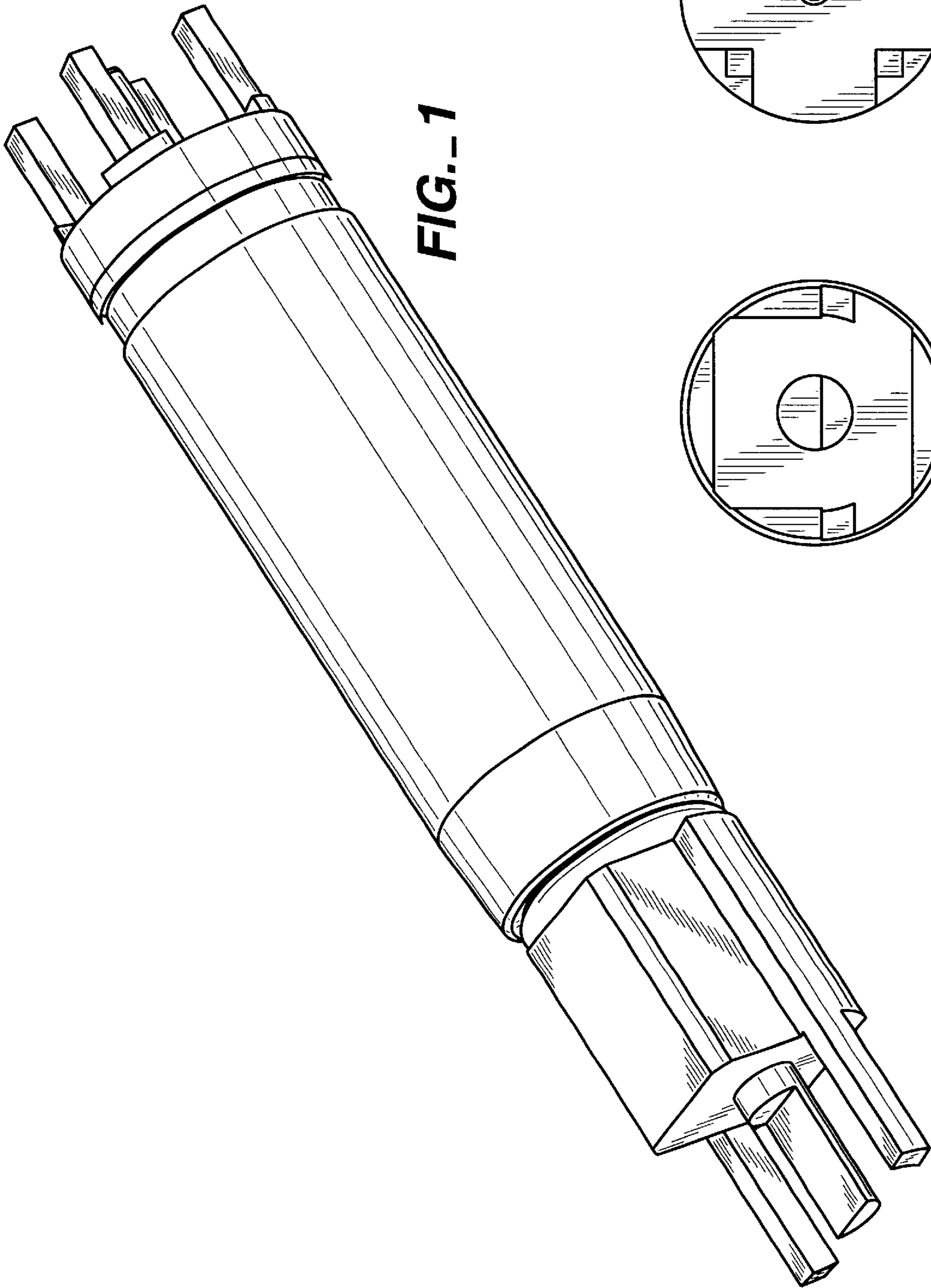


FIG. 1

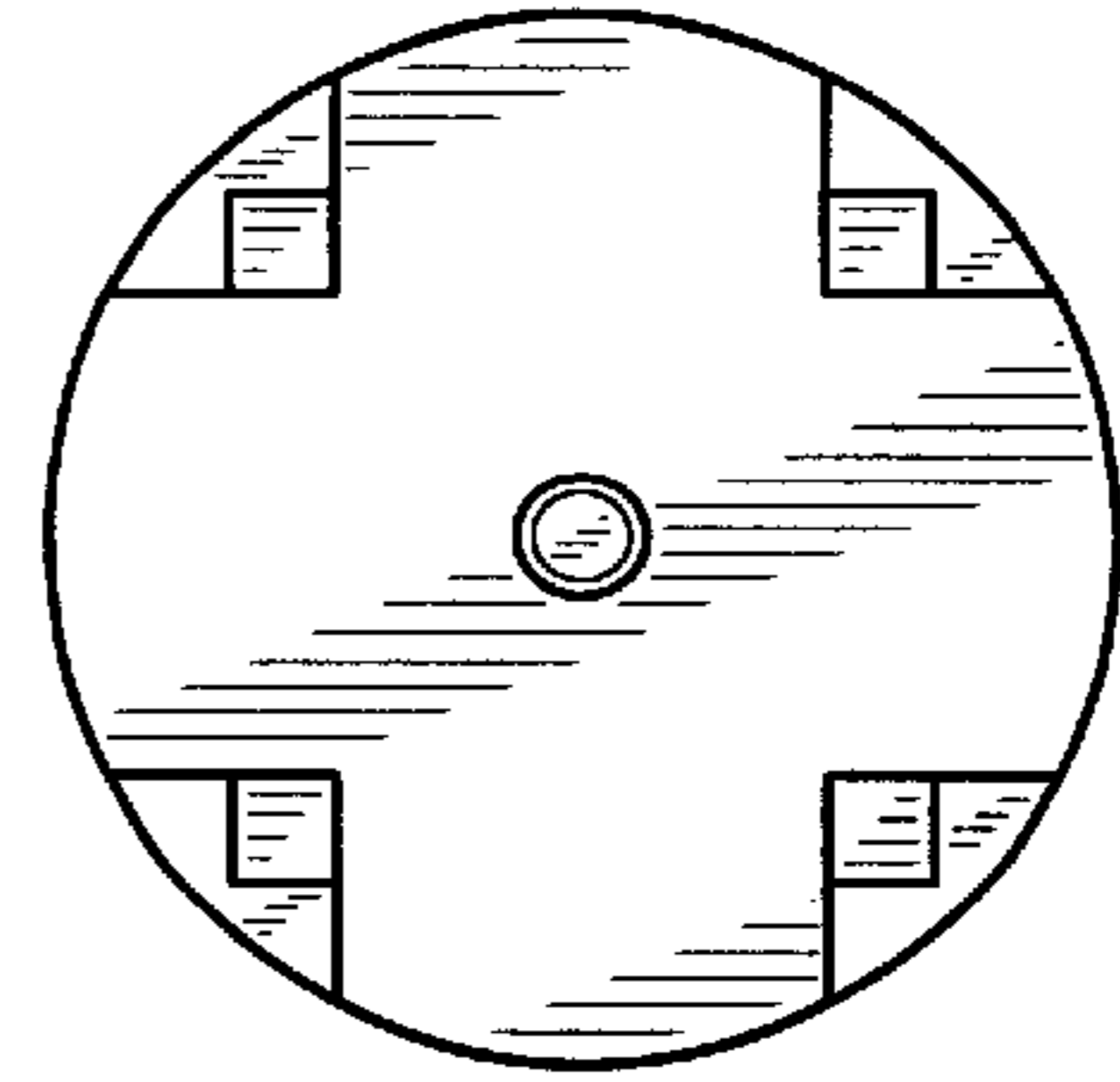


FIG. 2

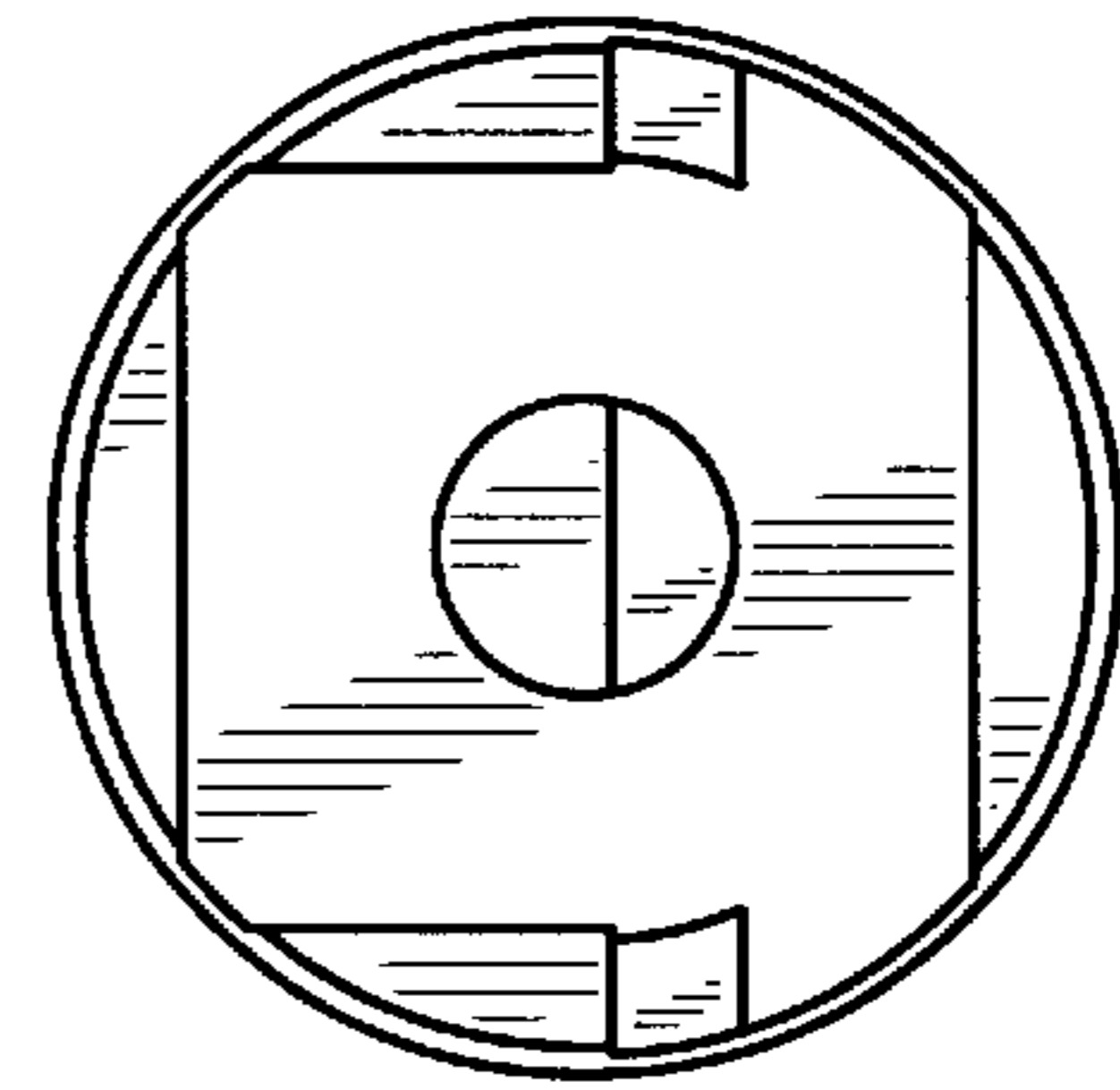
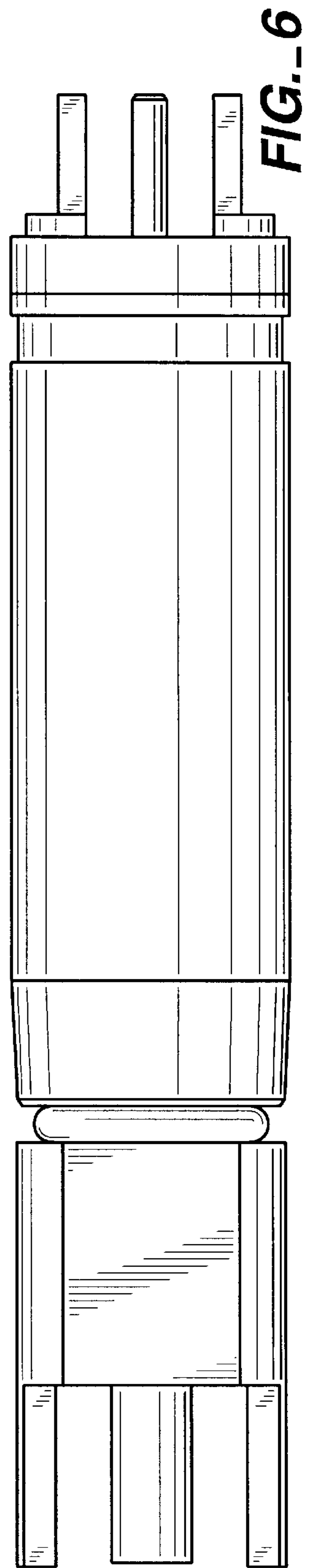
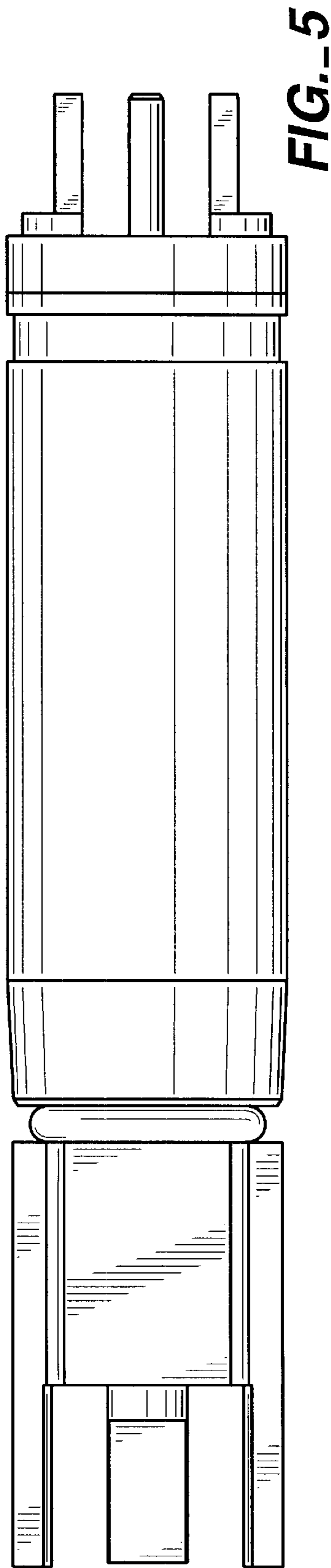
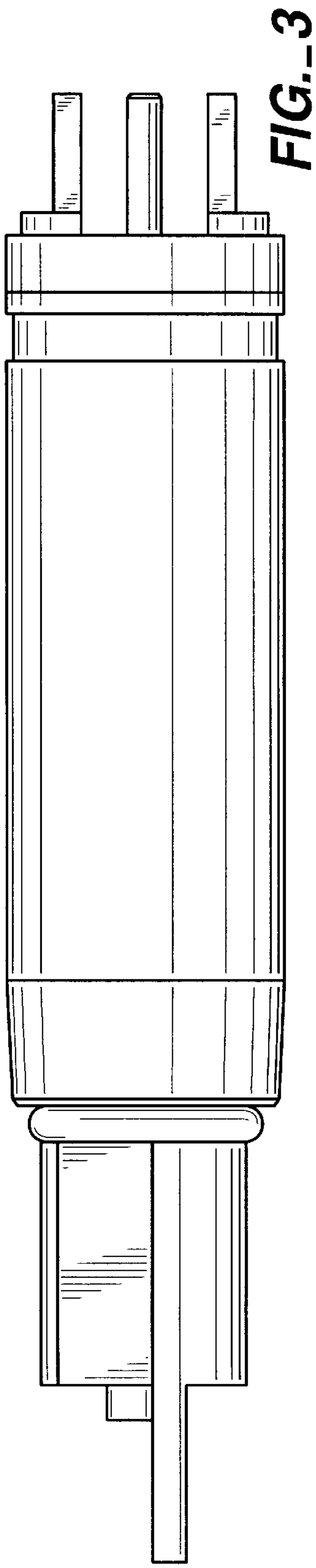


FIG. 3



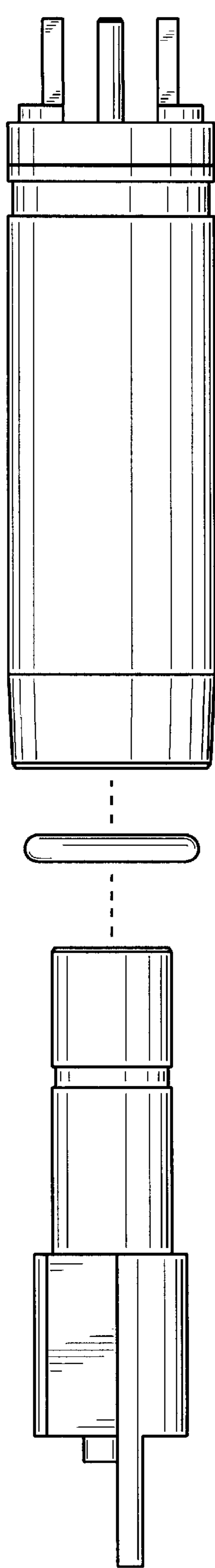


FIG. 7