



US00D453732S

(12) **United States Design Patent**  
**Stekelenburg**

(10) **Patent No.:** **US D453,732 S**

(45) **Date of Patent:** **\*\* Feb. 19, 2002**

(54) **OUTDOOR STAKE WITH OUTLETS**

6,296,522 B1 \* 10/2001 Ho ..... 439/654 X

(75) Inventor: **Albert Stekelenburg**, Taipei (TW)

\* cited by examiner

(73) Assignee: **All-Line Inc.** (TW)

*Primary Examiner*—Jennifer Rivard

(\*\*) Term: **14 Years**

(74) *Attorney, Agent, or Firm*—Troxell Law Office PLLC

(21) Appl. No.: **29/141,312**

(57) **CLAIM**

(22) Filed: **May 4, 2001**

The ornamental design for an outdoor stake with outlets, as shown and described.

(51) **LOC (7) Cl.** ..... **13-03**

**DESCRIPTION**

(52) **U.S. Cl.** ..... **D13/139.4**

FIG. 1 is a top view of an outdoor stake with outlets showing the preferred embodiment of my new design;

(58) **Field of Search** ..... D13/137.2, 139.4;  
439/502, 535, 536, 378, 650-655

FIG. 2 is a front view thereof;

FIG. 3 is a right side elevational view thereof;

FIG. 4 is a bottom view thereof;

FIG. 5 is a left side elevational view thereof; and,

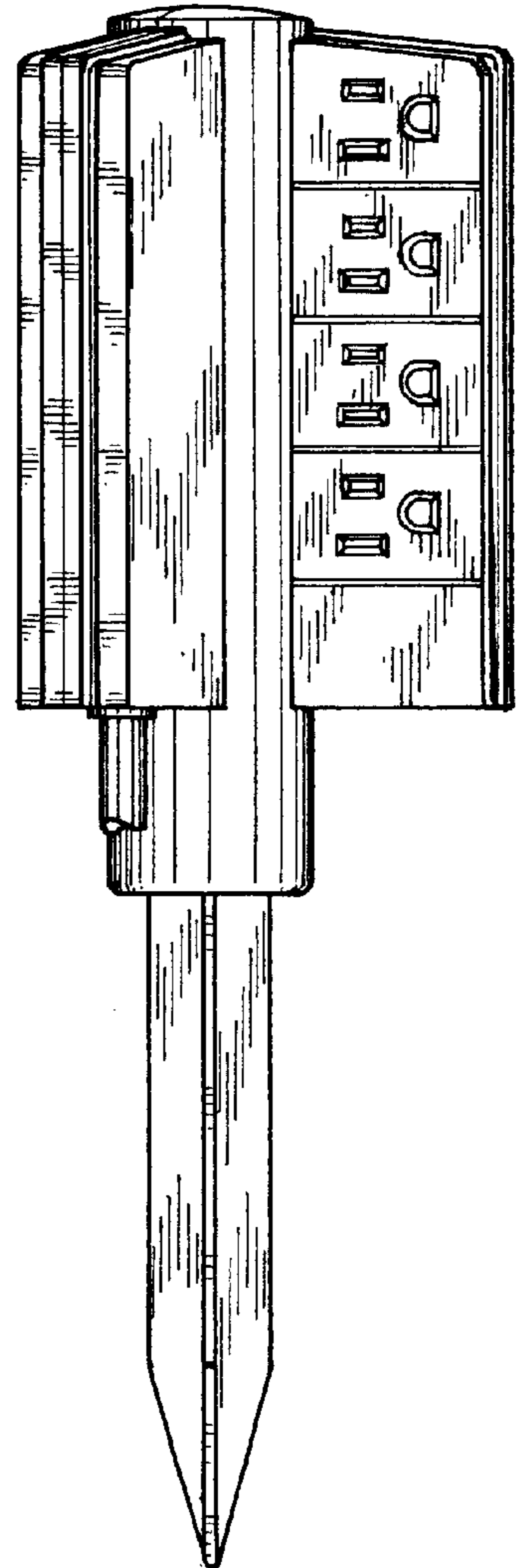
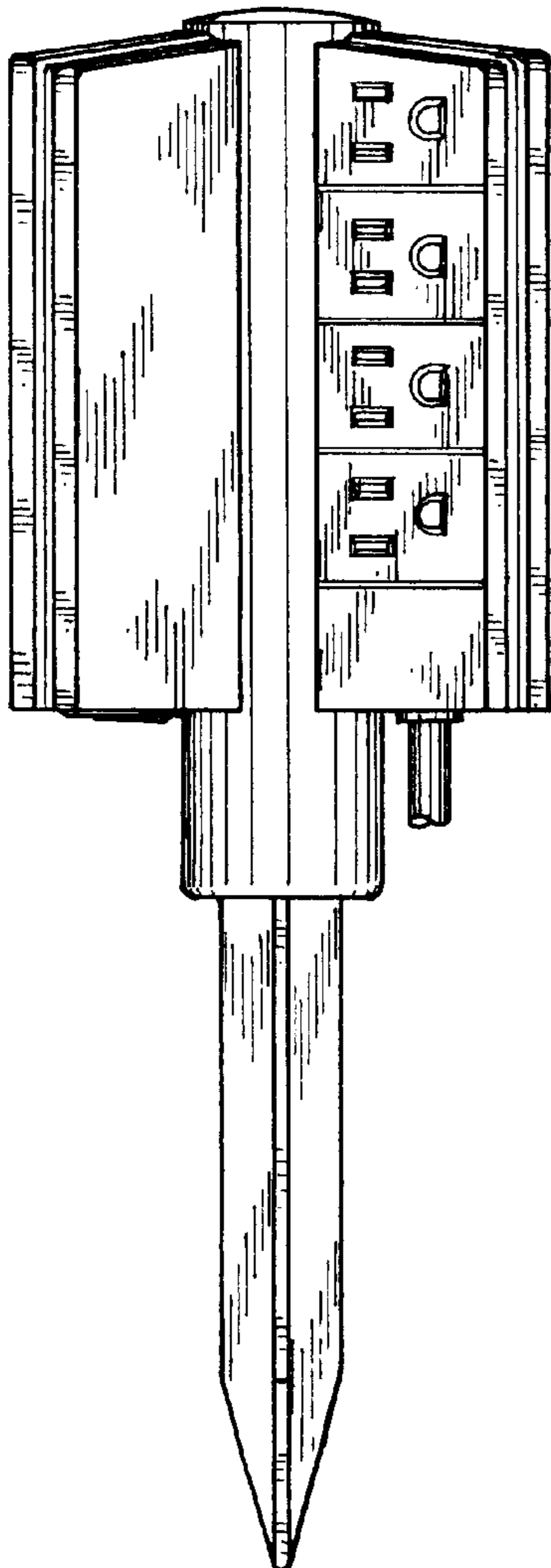
FIG. 6 is a rear view thereof.

(56) **References Cited**

**U.S. PATENT DOCUMENTS**

- 5,562,341 A \* 10/1996 Strauss ..... 439/535 X
- 5,879,184 A \* 3/1999 Lopez ..... 439/502
- D431,477 S \* 10/2000 Stekelenburg ..... D13/139.4 X

**1 Claim, 2 Drawing Sheets**



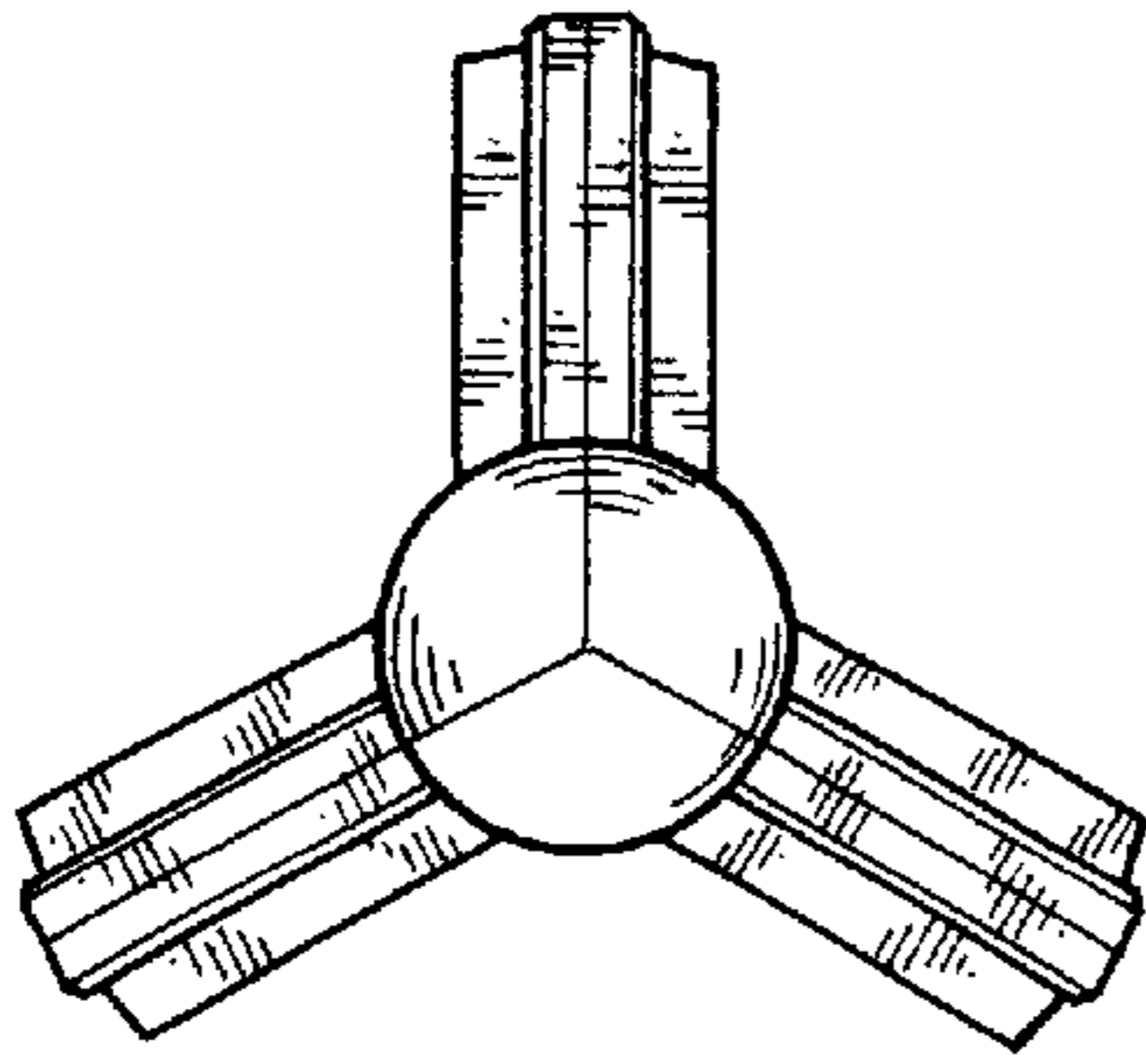


FIG. 1

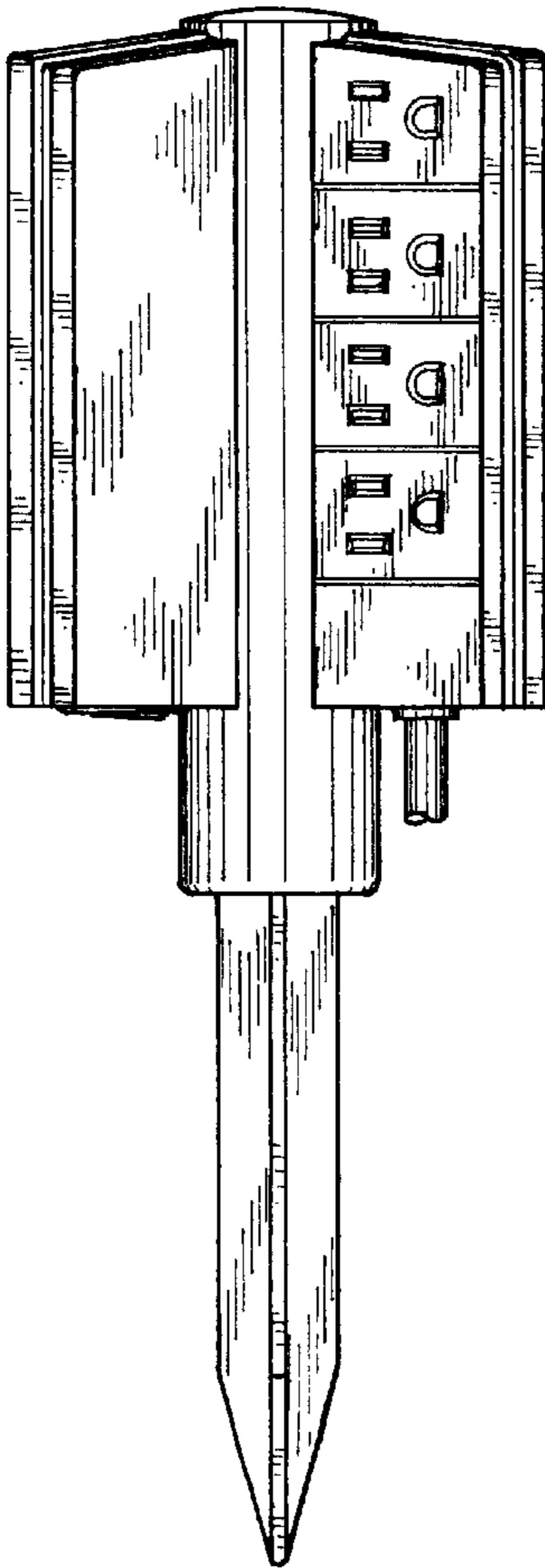


FIG. 2

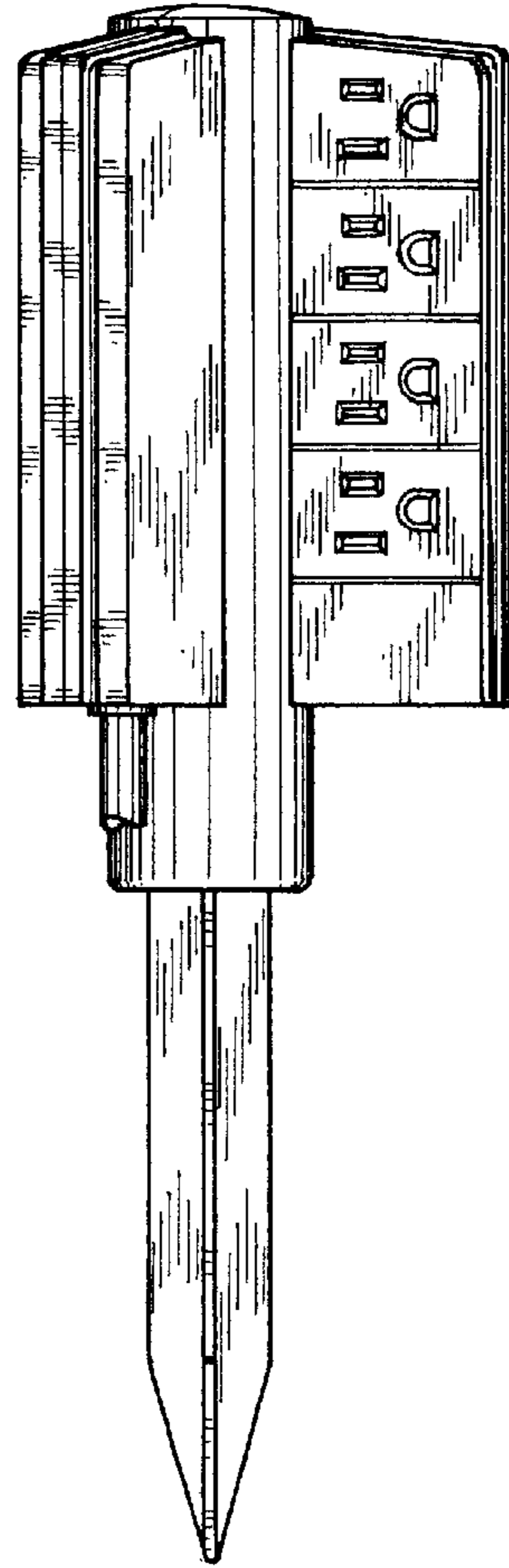


FIG. 3

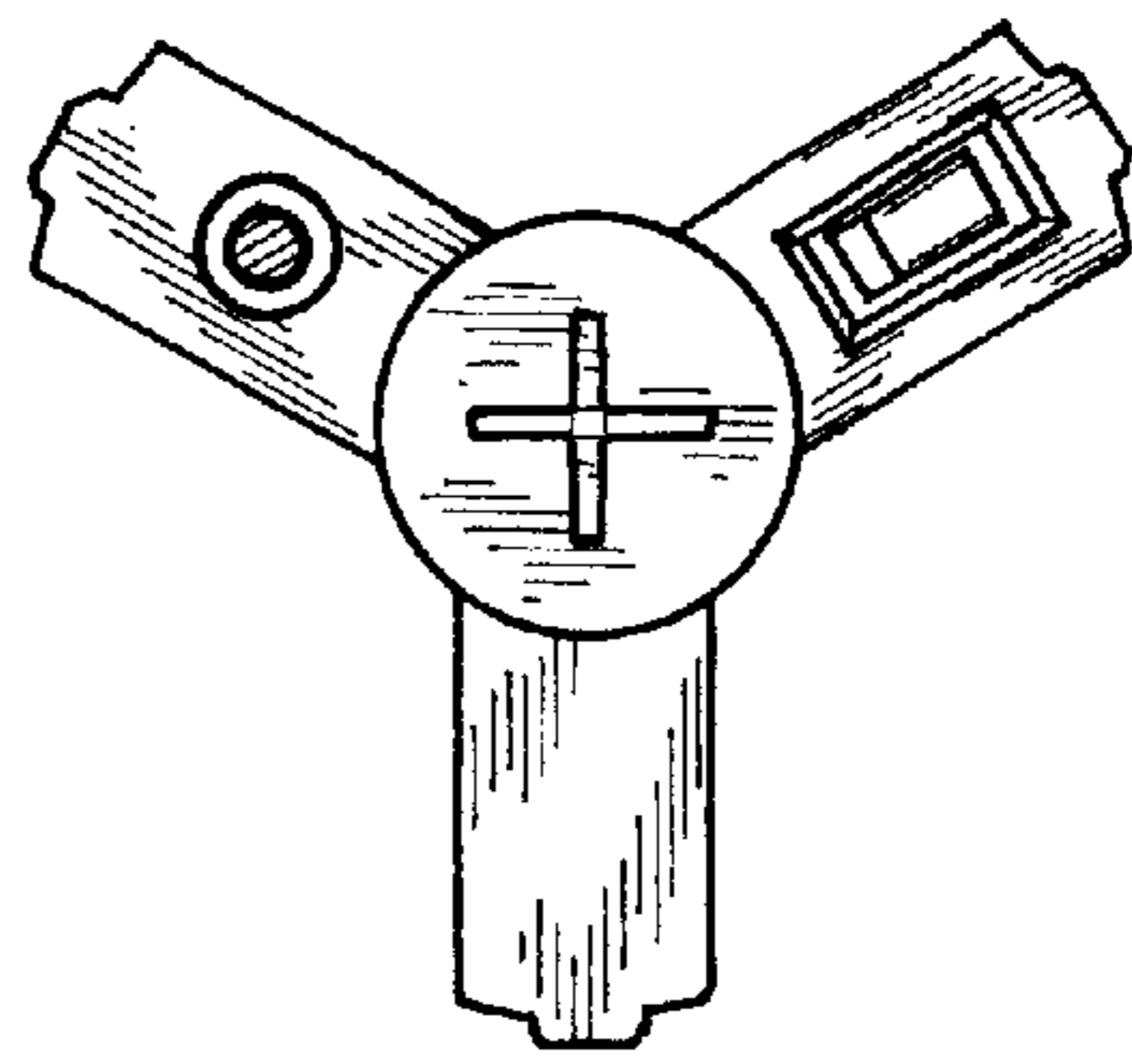


FIG. 4

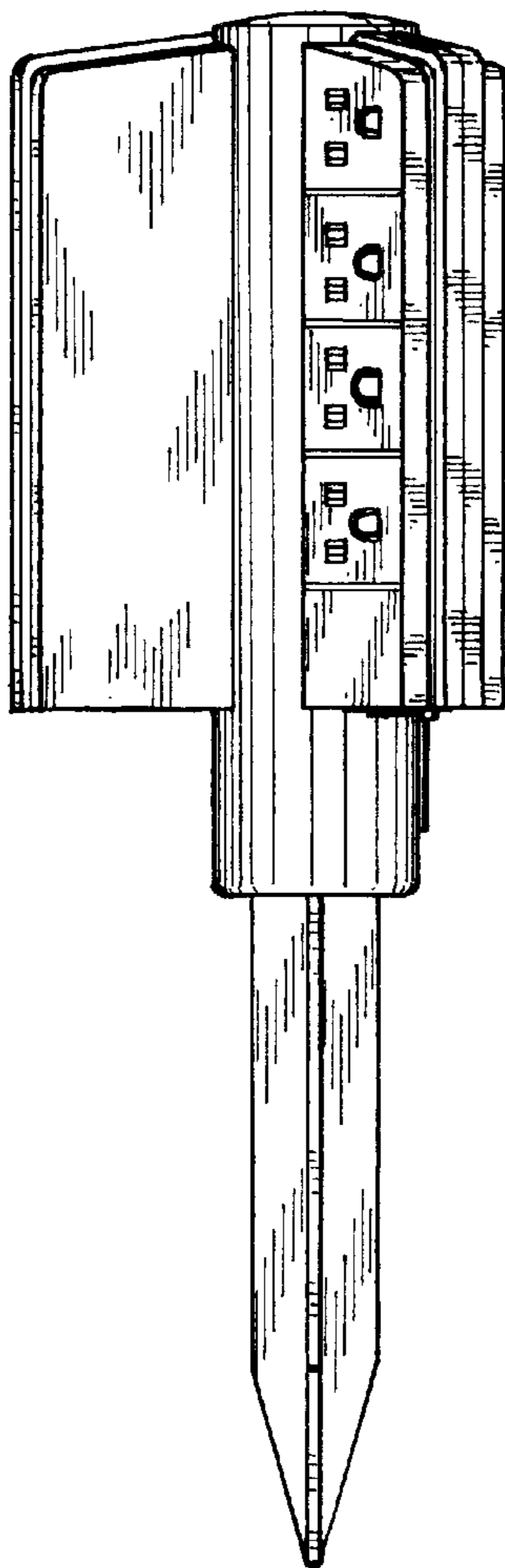


FIG. 5

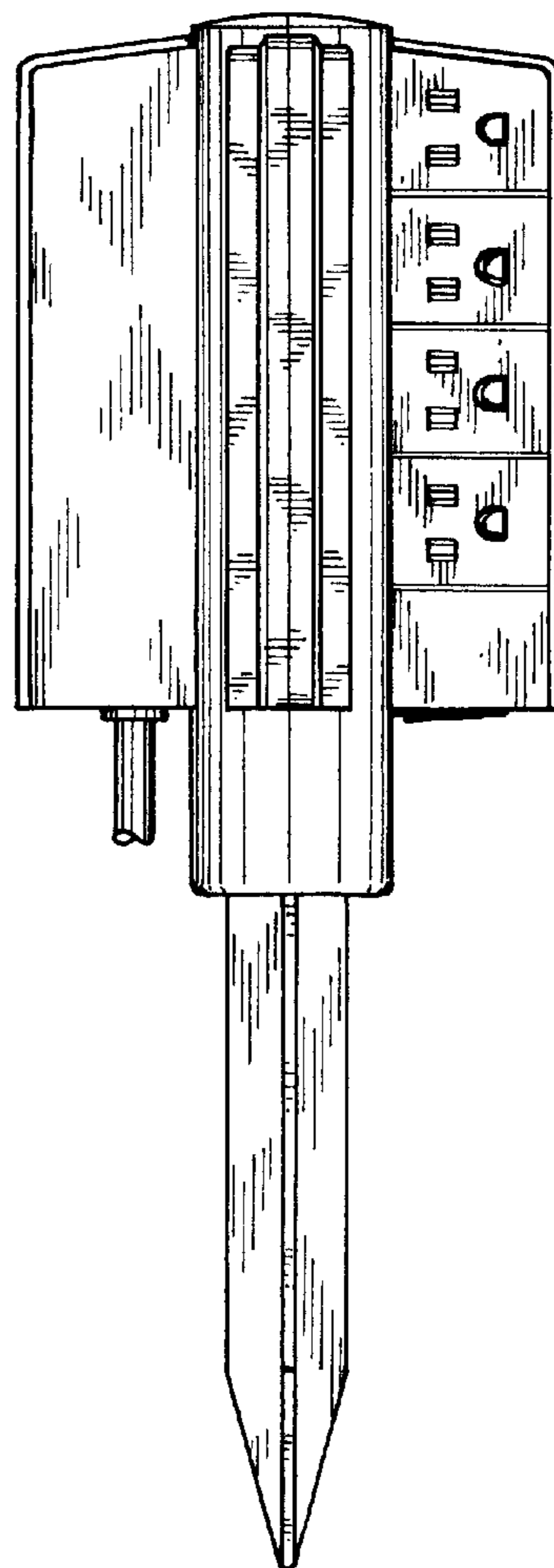


FIG. 6