



US00D453728S

(12) **United States Design Patent**
Hassett

(10) **Patent No.:** **US D453,728 S**

(45) **Date of Patent:** **** Feb. 19, 2002**

(54) **AUTOMOBILE VISOR WITH DUAL LAYERED COMPACT DISC STORAGE**

(75) Inventor: **Eric Hassett**, Golden, CO (US)

(73) Assignee: **Case Logic, Inc.**, Longmont, CO (US)

(**) Term: **14 Years**

(21) Appl. No.: **29/143,492**

(22) Filed: **Jun. 13, 2001**

(51) **LOC (7) Cl.** **12-16**

(52) **U.S. Cl.** **D12/417**

(58) **Field of Search** D12/191, 417,
D12/415; D3/215, 226, 247-249, 252-253;
224/311, 312, 275; 296/97.1-97.9, 97.11;
D6/629-630, 631-635

(56) **References Cited**

U.S. PATENT DOCUMENTS

D362,159 S	*	9/1995	Singh	D12/417
D369,777 S	*	5/1996	Singh et al.	D12/417
D372,623 S	*	8/1996	Alves et al.	D6/630
5,590,827 A	*	1/1997	Nimpoeno	224/312
D381,947 S	*	8/1997	Bergh et al.	D12/191
D382,527 S	*	8/1997	Alves et al.	D12/191
D386,146 S	*	11/1997	Fai	D12/417
D391,919 S	*	3/1998	Brassard	D12/417
D400,847 S	*	11/1998	Brassard	D12/417
D415,731 S	*	10/1999	Bergh	D12/417
D432,490 S	*	10/2000	Golenz	D12/417
D432,981 S	*	10/2000	Eskandry	D12/417

D436,916 S * 1/2001 Eskandry D12/417

* cited by examiner

Primary Examiner—Stacia Cadmus

(74) *Attorney, Agent, or Firm*—Sheridan Ross P.C.

(57) **CLAIM**

The ornamental design for an automobile visor with dual layered compact disc storage, as shown and described.

DESCRIPTION

FIG. 1 is a front perspective view of an automobile visor with dual layered compact disc storage, showing my new design with environment and in an open position, the broken lines forming no part of my claimed design;

FIG. 2 is a front elevation view of the invention illustrated in FIG. 1 shown in an open position;

FIG. 3 is a right elevation view of the invention illustrated in FIG. 2;

FIG. 4 is a left elevation view of the invention illustrated in FIG. 2;

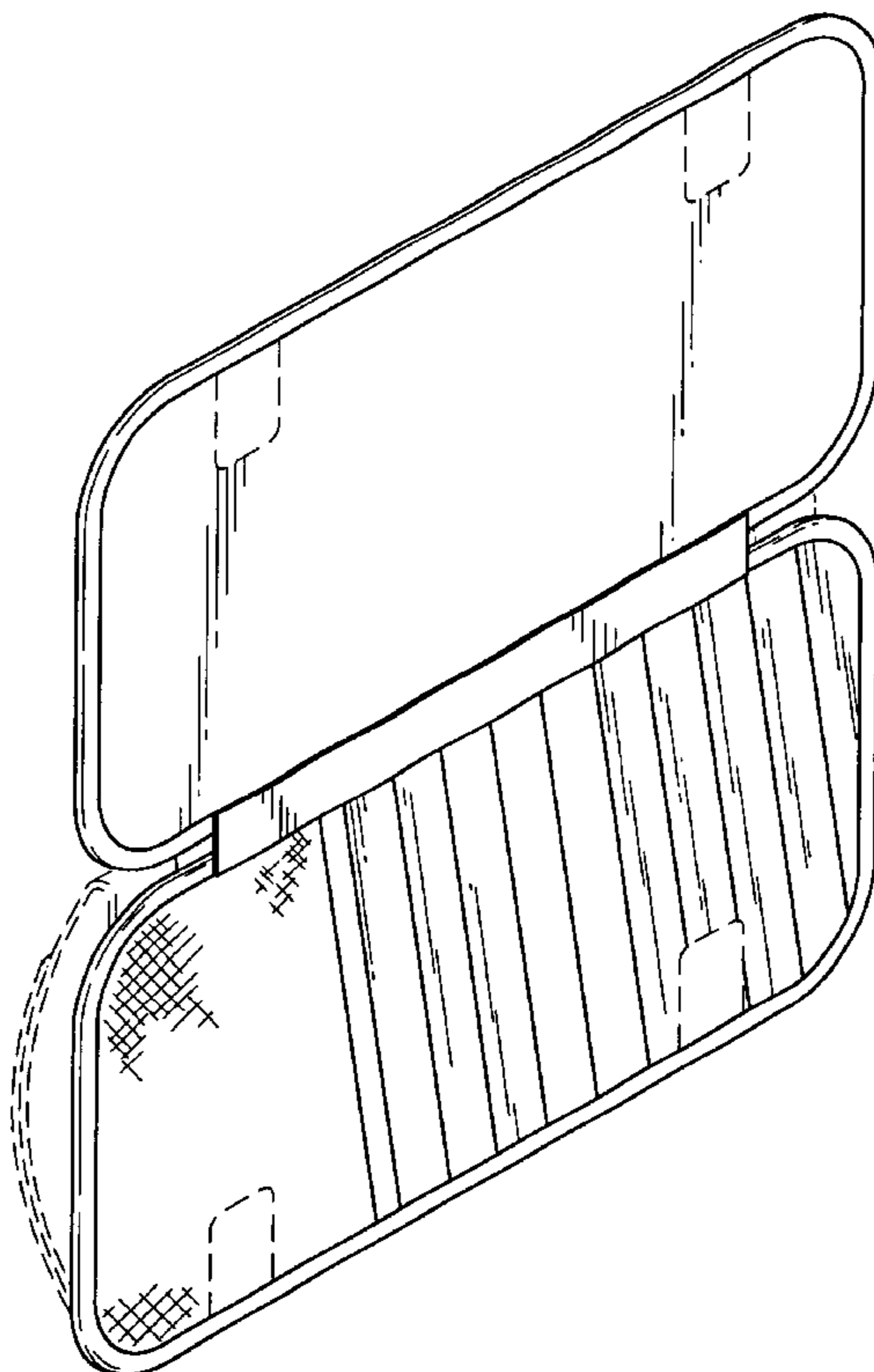
FIG. 5 is a top plan view of the invention illustrated in FIG. 2;

FIG. 6 is a bottom plan view of the invention illustrated in FIG. 2;

FIG. 7 is a rear elevation view of the invention illustrated in FIG. 2; and,

FIG. 8 is a right front perspective view of the invention illustrated in FIG. 2 with environment, the broken lines forming no part of the claimed design.

1 Claim, 3 Drawing Sheets



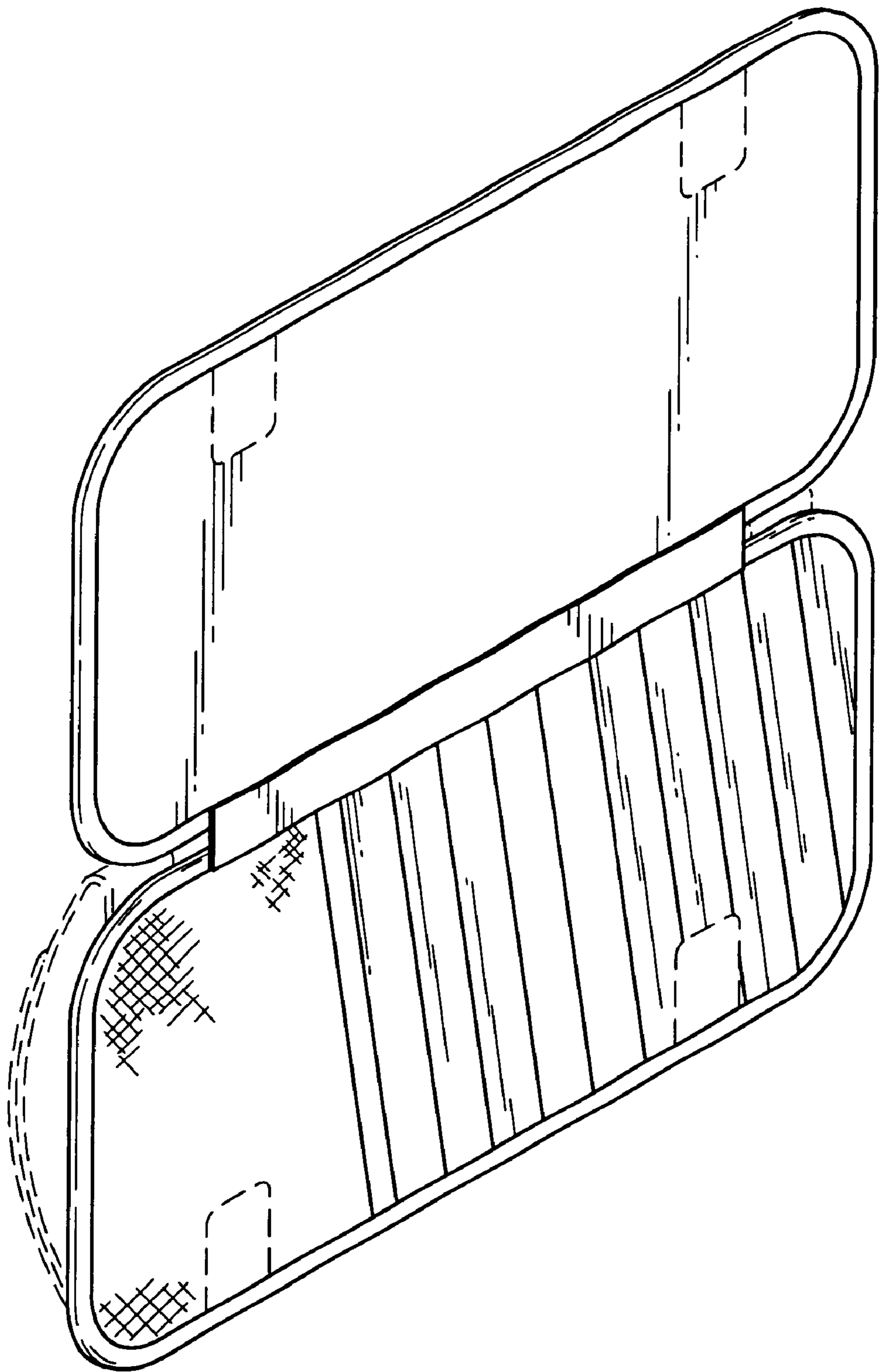


FIG. 1



FIG. 5



FIG. 4

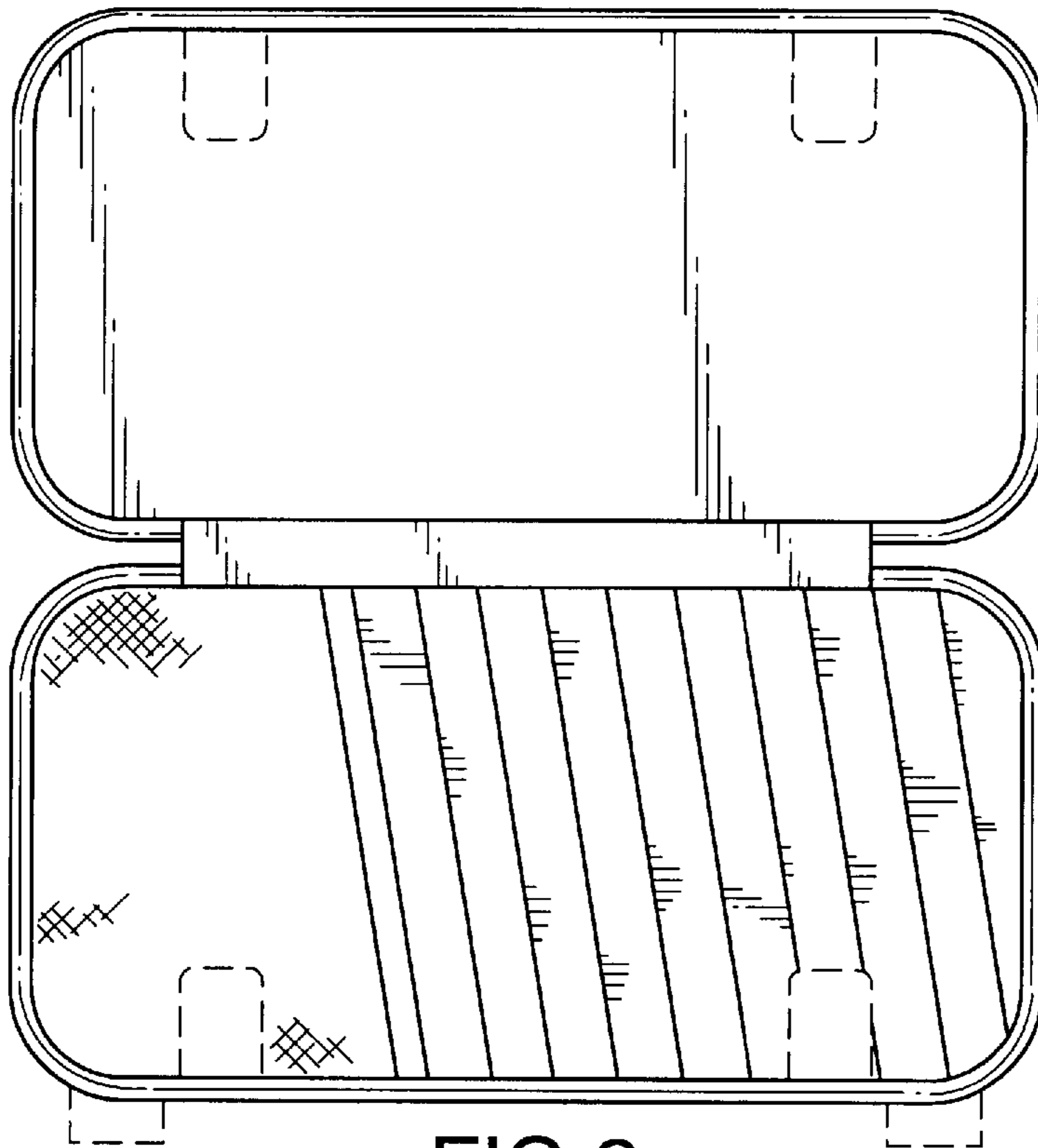


FIG. 2

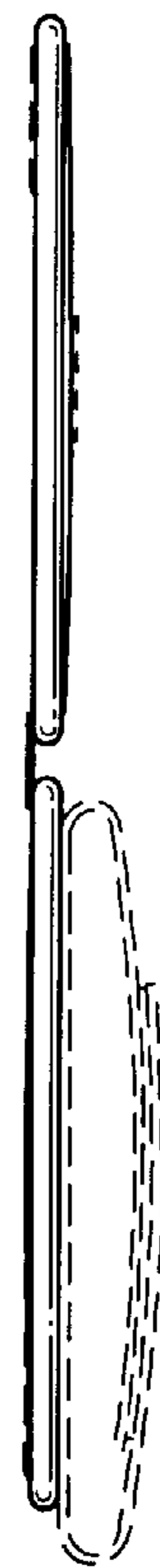


FIG. 3

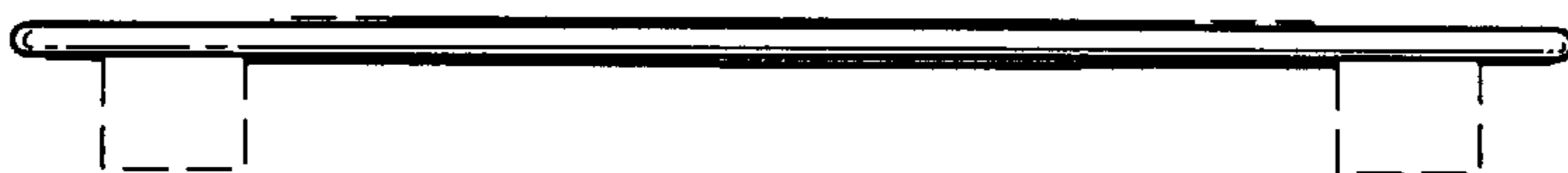


FIG. 6

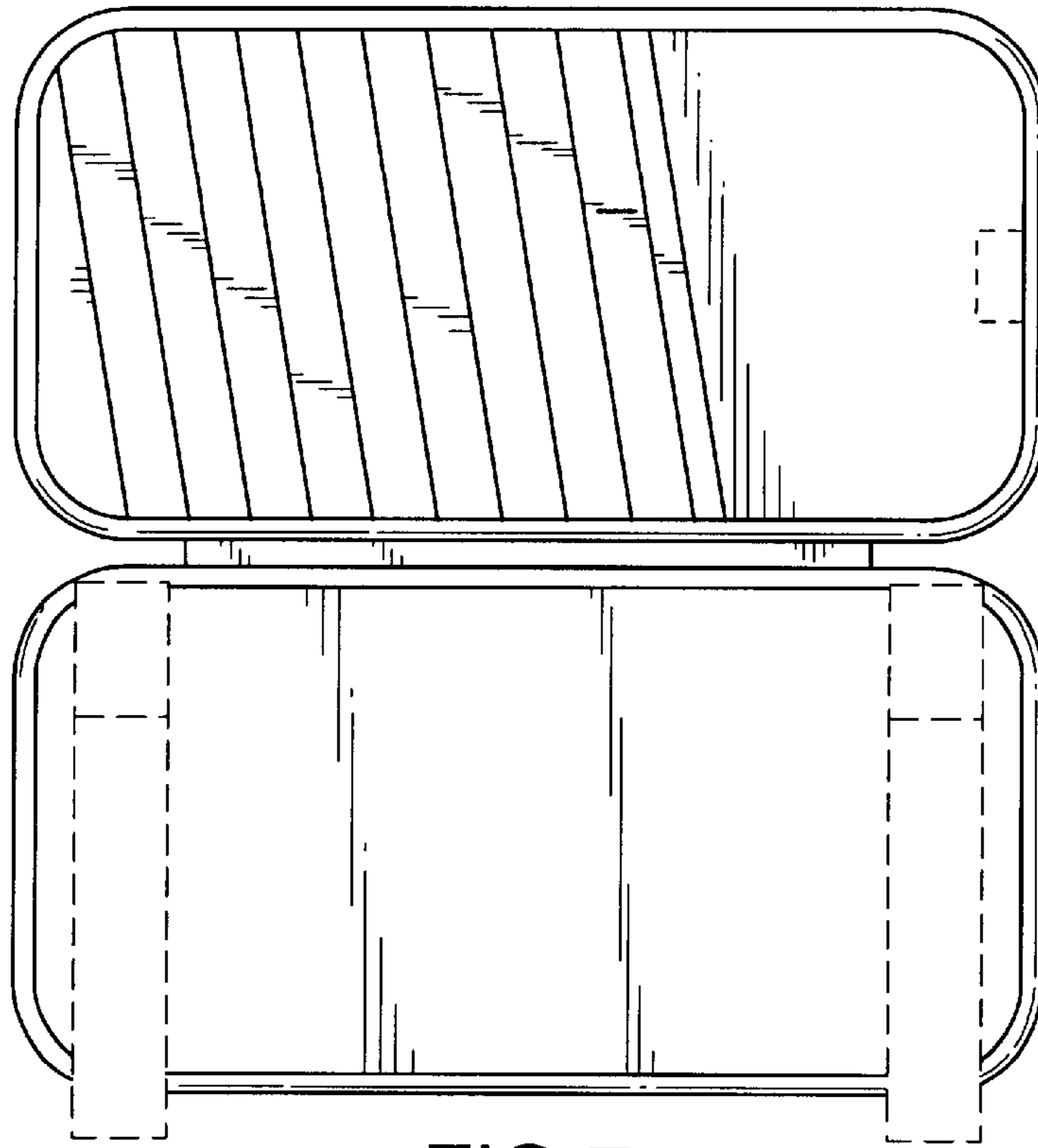


FIG. 7

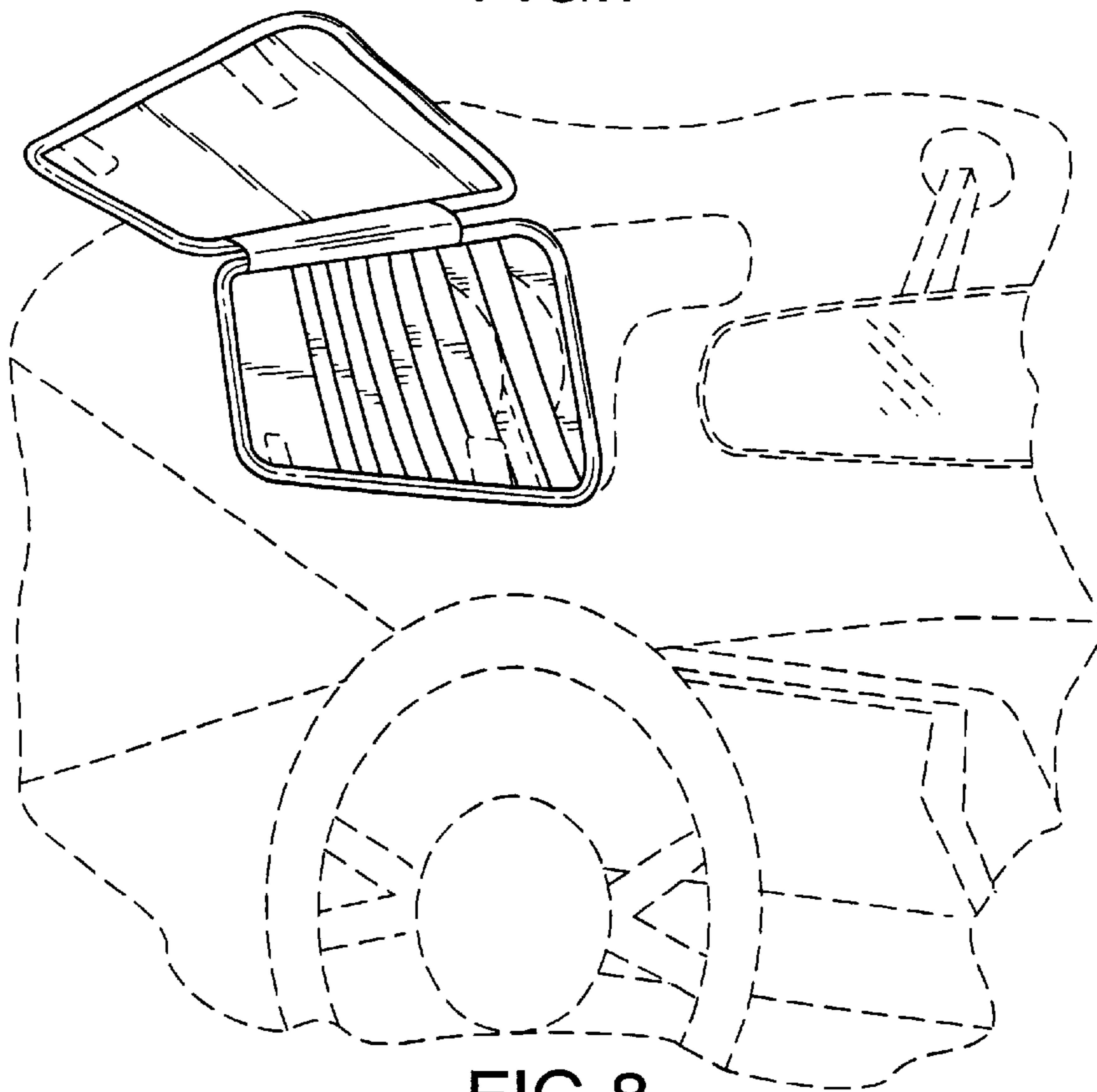


FIG. 8