



US00D453726S

(12) **United States Design Patent**
Dunn et al.

(10) **Patent No.:** **US D453,726 S**

(45) **Date of Patent:** **** Feb. 19, 2002**

(54) **SUBMERSIBLE MARINE VEHICLE**

(75) Inventors: **Adam Peter Dunn; Scott Roberts Kalkman; Gary Starr; James Richard Jeremias**, all of Sebastopol, CA (US)

(73) Assignee: **ZAP**, Sebastopol, CA (US)

(**) Term: **14 Years**

(21) Appl. No.: **29/135,894**

(22) Filed: **Jan. 19, 2001**

(51) **LOC (7) Cl.** **12-06**

(52) **U.S. Cl.** **D12/308; D21/801**

(58) **Field of Search** **D12/300, 308; D21/801, 810; 114/315, 312, 343; 440/6**

(56) **References Cited**

U.S. PATENT DOCUMENTS

4,823,722	A	*	4/1989	Gass	114/333
4,889,066	A	*	12/1989	Neil et al.	114/334
D323,808	S	*	2/1992	DeSantis	D12/308
D359,022	S	*	6/1995	Lashman	D12/308
5,634,423	A	*	6/1997	Lashmann	114/315

* cited by examiner

Primary Examiner—Kay H. Chin
(74) *Attorney, Agent, or Firm*—Foley & Lardner

(57) **CLAIM**

The ornamental design for a submersible marine vehicle, as shown and described.

DESCRIPTION

FIG. 1 is a front perspective view of the submersible marine vehicle showing the design.

FIG. 2 is a right side elevational view of the submersible marine vehicle showing the design.

FIG. 3 is a left side elevational view of the submersible marine vehicle showing the design.

FIG. 4 is a front elevational view of the submersible marine vehicle showing the design.

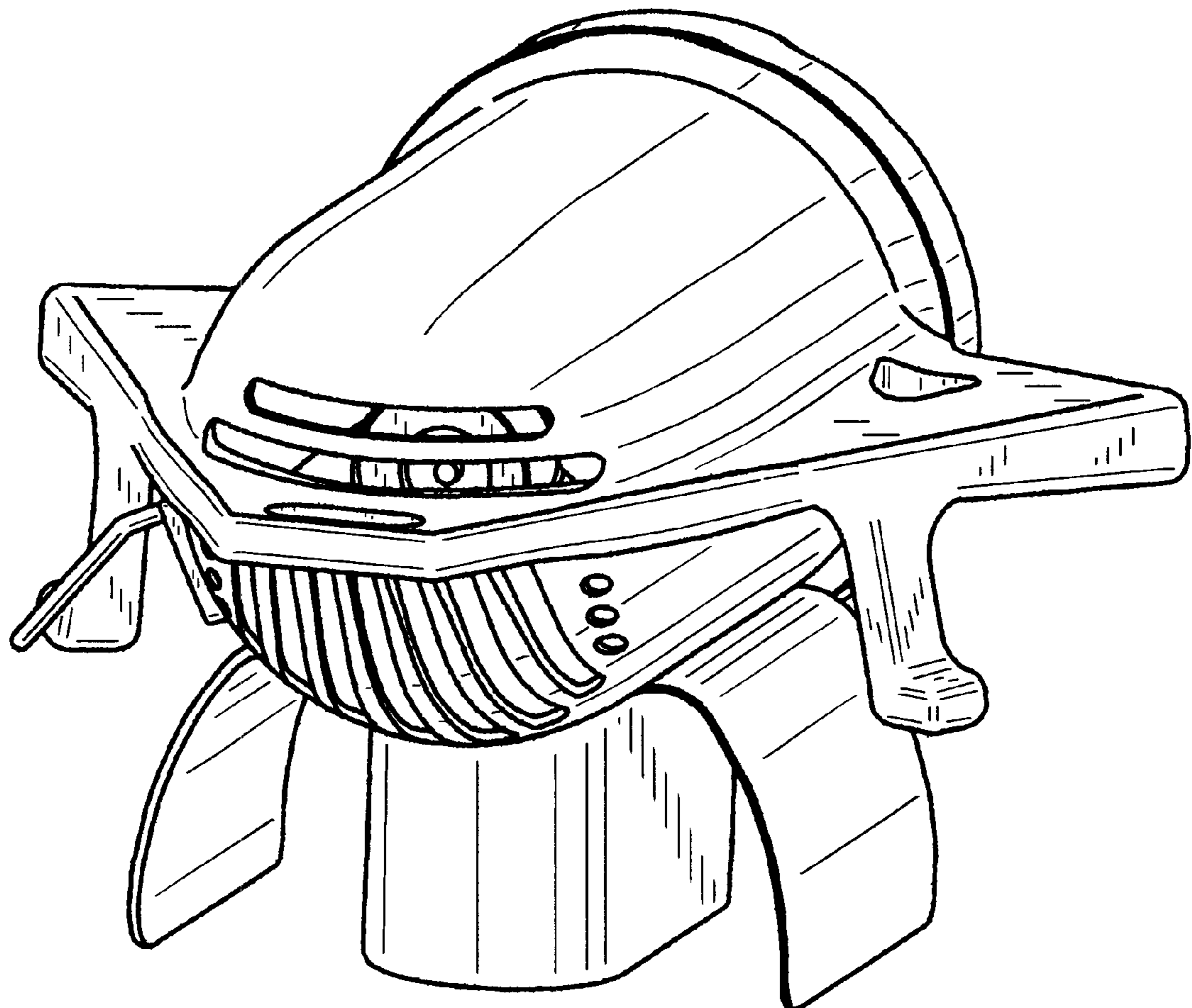
FIG. 5 is a rear elevational view of the submersible marine vehicle showing the design.

FIG. 6 is a top plan view of the submersible marine vehicle showing the design.

FIG. 7 is a bottom plan view of the submersible marine vehicle showing the design; and,

FIG. 8 is a rear perspective view of the submersible marine vehicle showing the design.

1 Claim, 4 Drawing Sheets



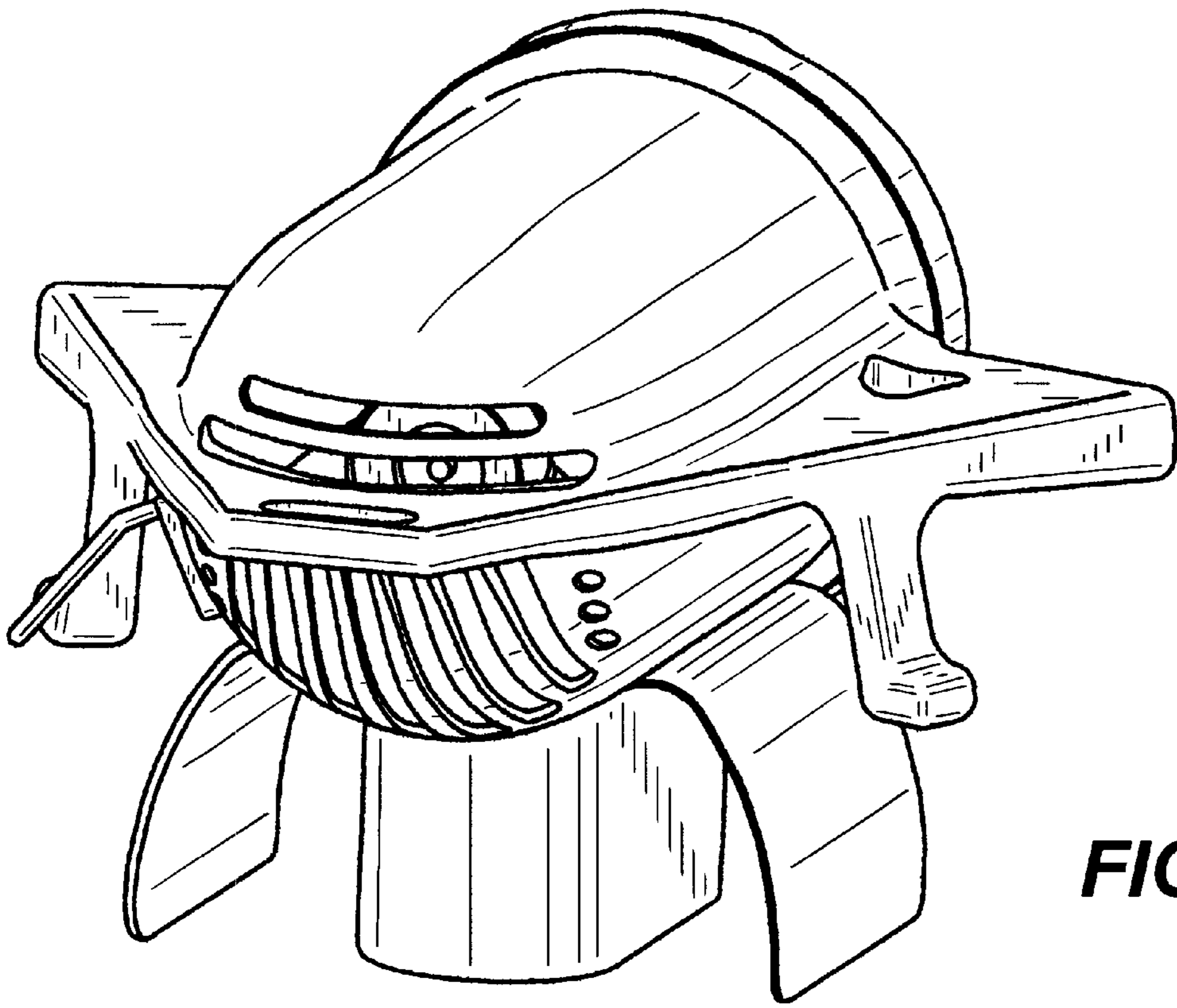


FIG._1

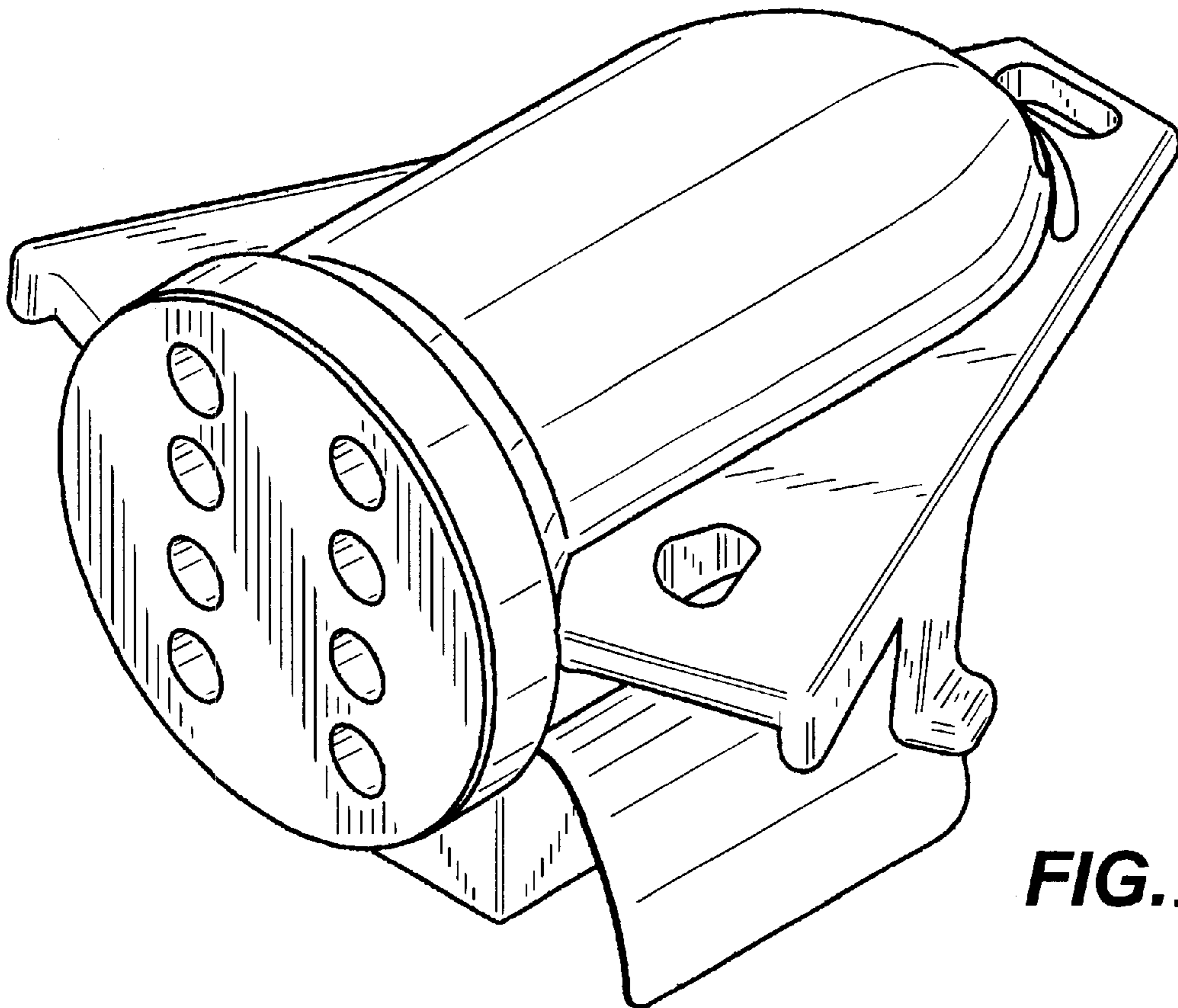


FIG._8

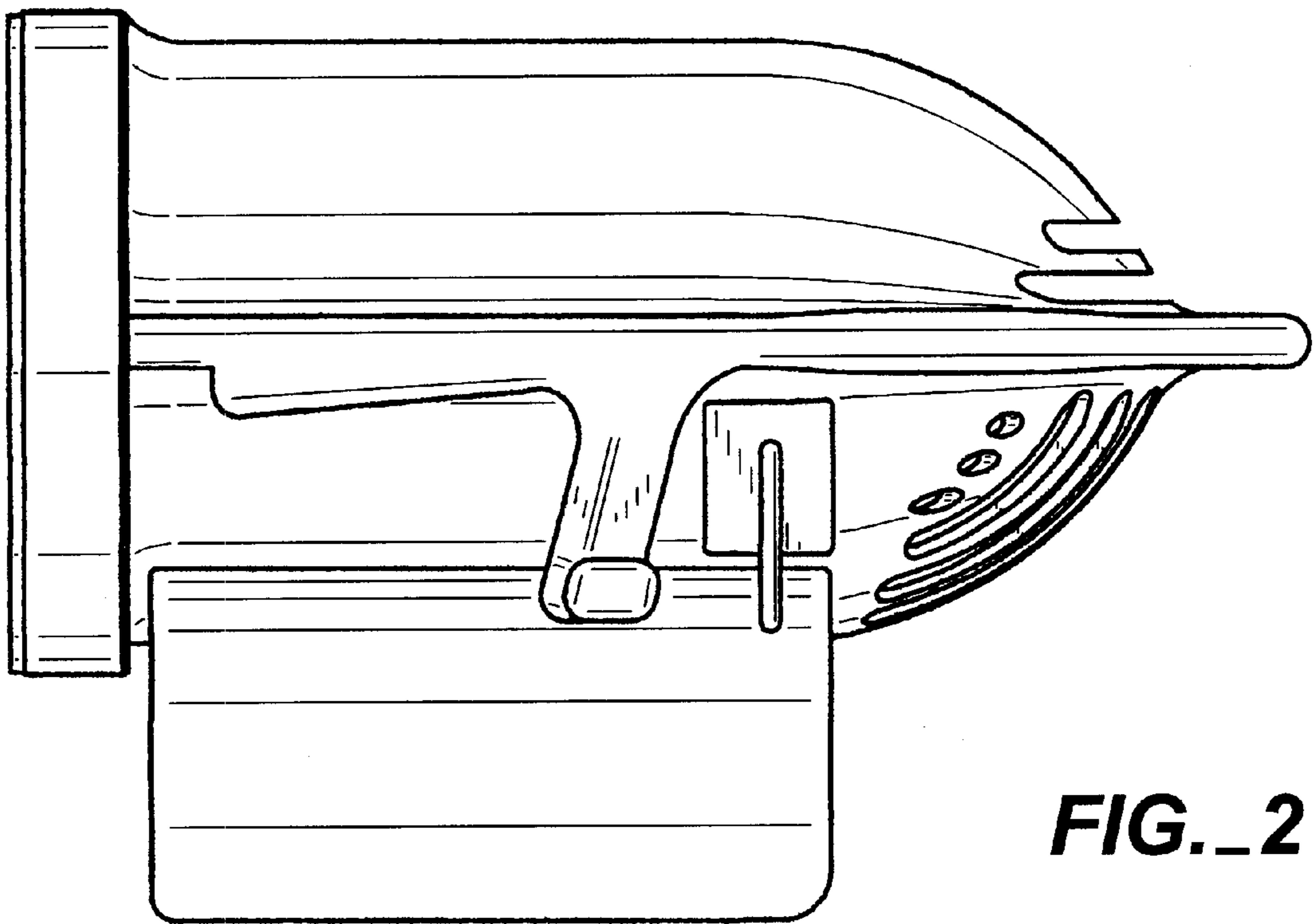


FIG. 2

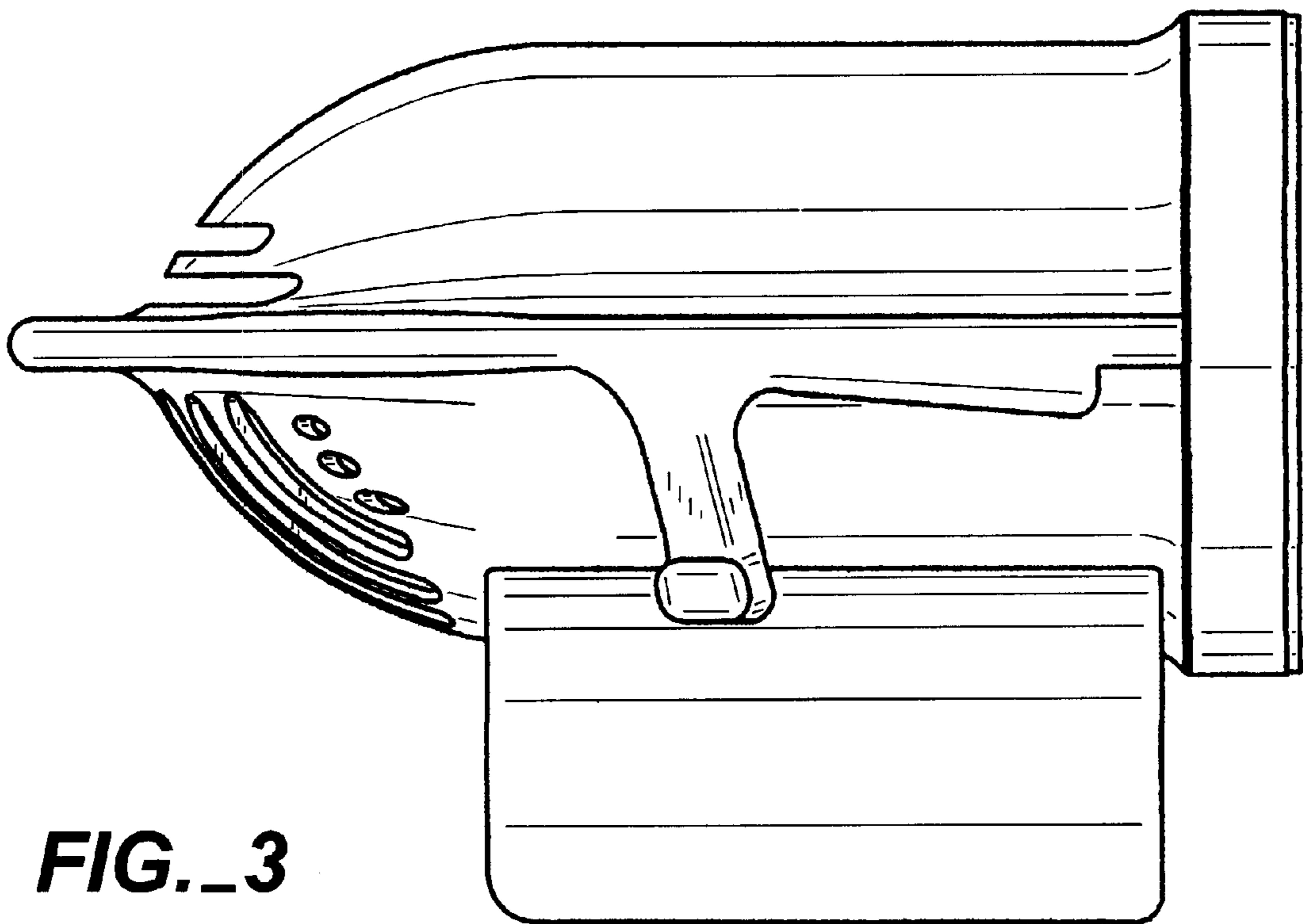


FIG. 3

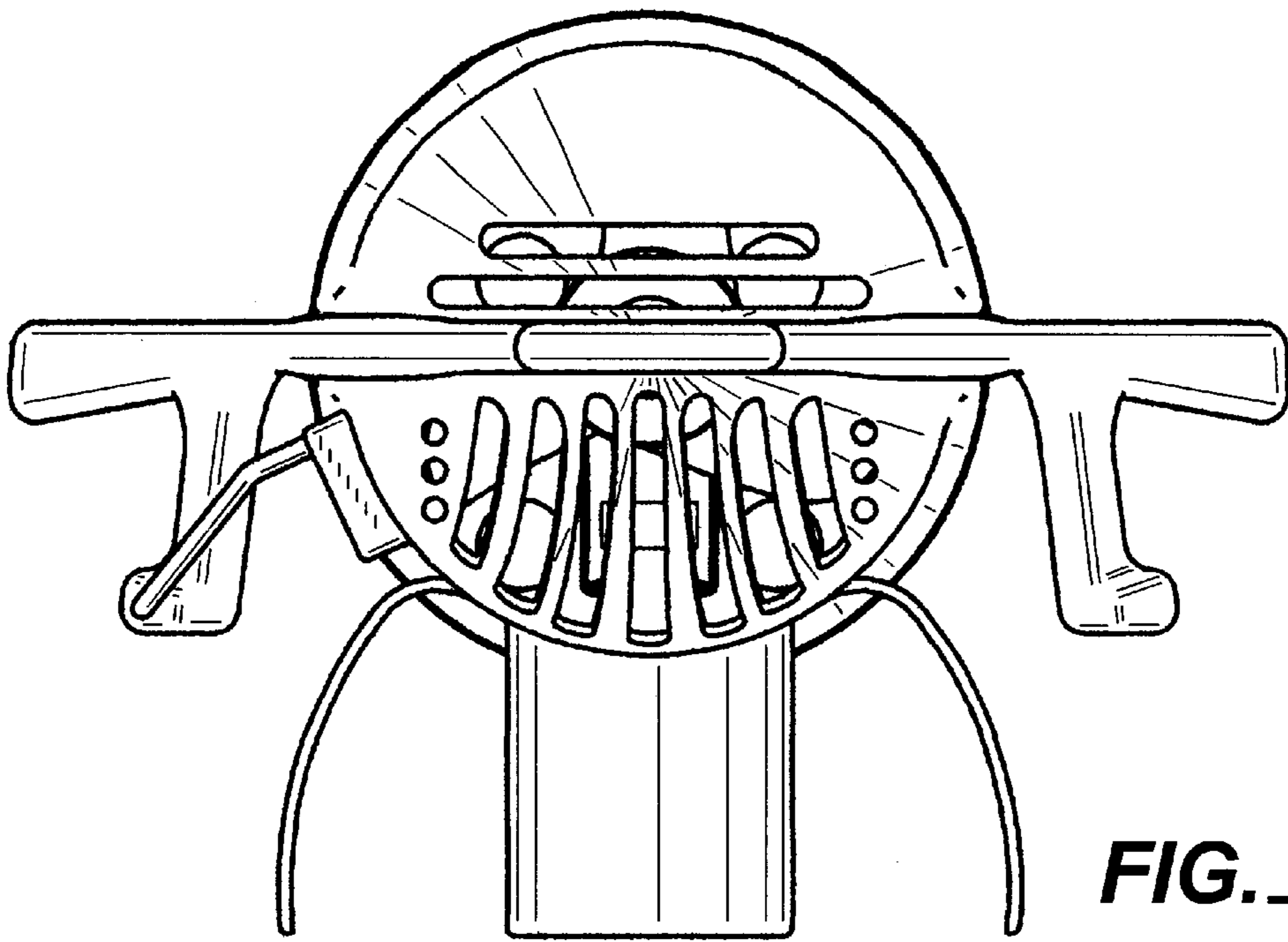


FIG._4

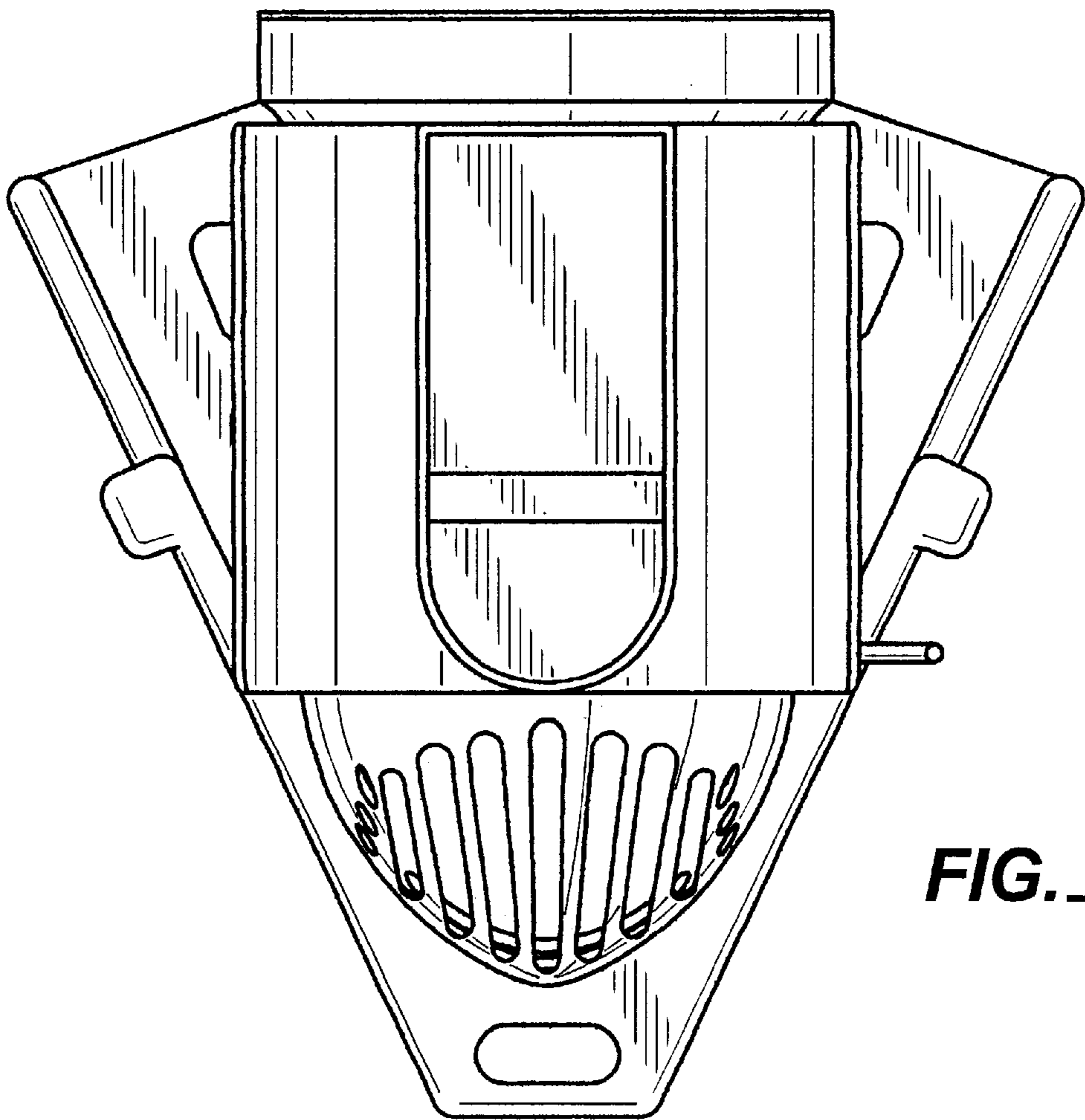


FIG._7

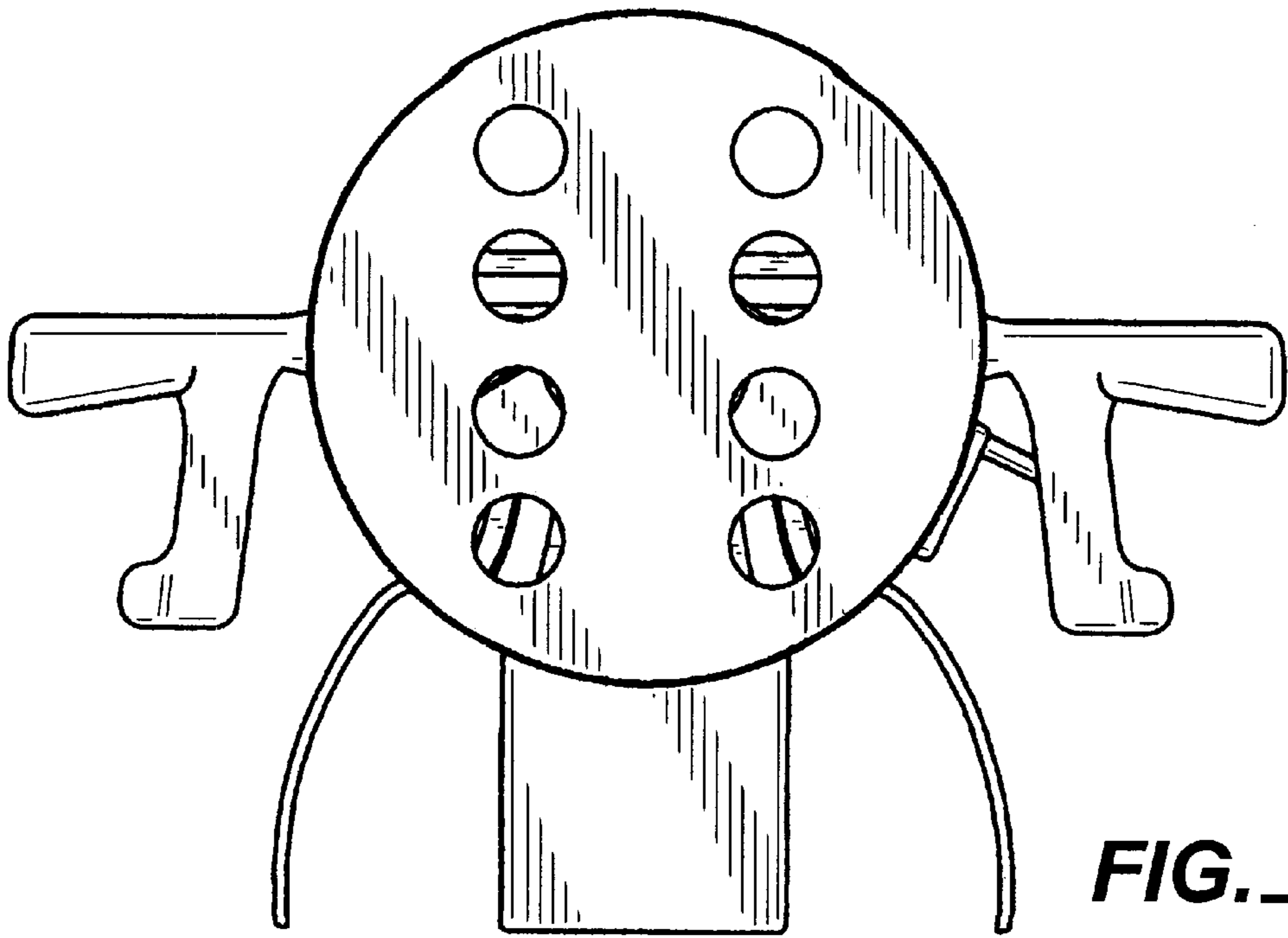


FIG._5

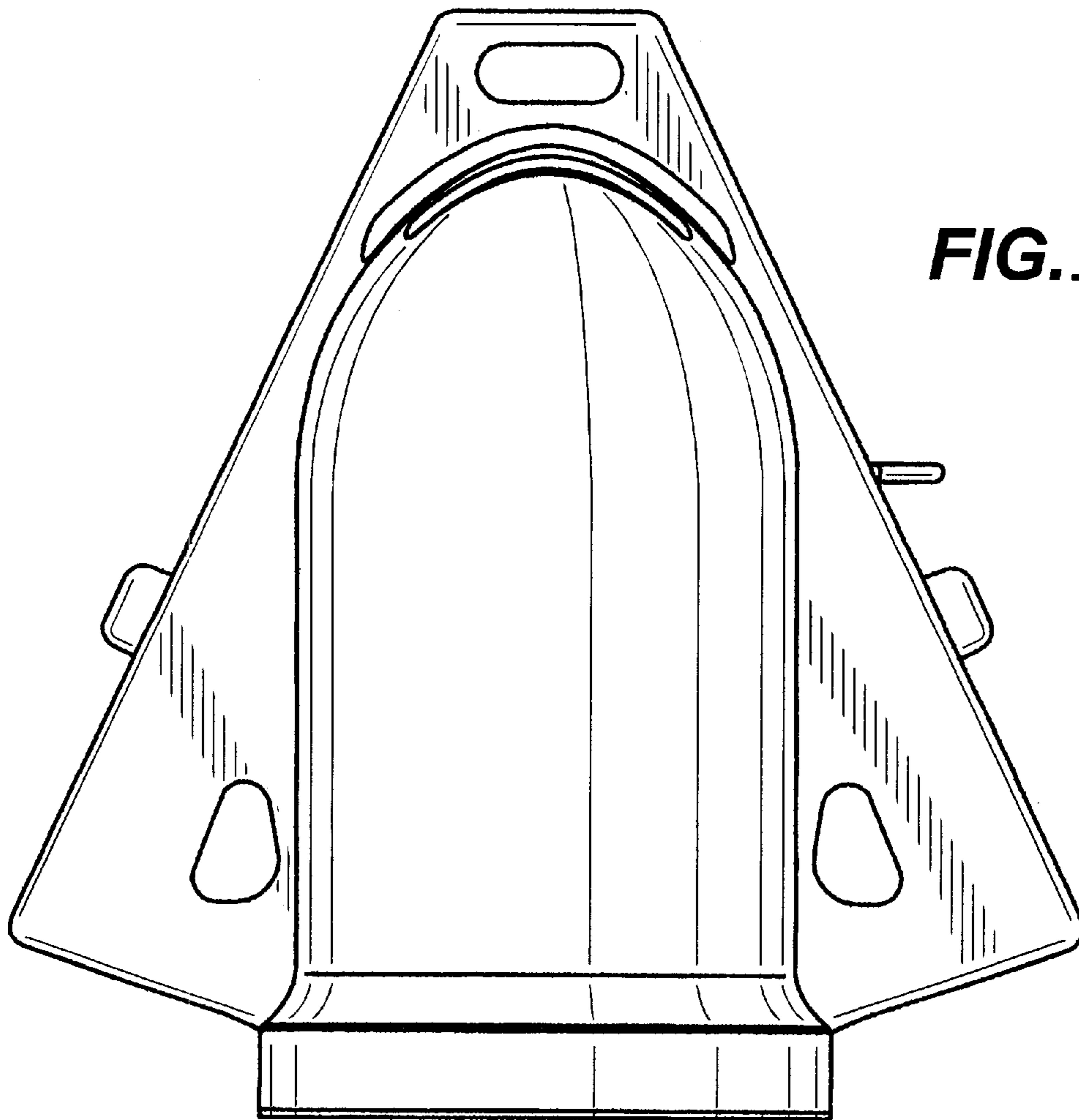


FIG._6