



US00D453723S

(12) **United States Design Patent**  
**Kokubu**

(10) **Patent No.:** **US D453,723 S**

(45) **Date of Patent:** **\*\* Feb. 19, 2002**

(54) **WHEEL FOR A TWO-WHEELED MOTOR VEHICLE**

D406,091 S \* 2/1999 Nishida ..... D12/209  
D419,515 S \* 1/2000 Brown ..... D12/209  
D421,941 S \* 3/2000 Cheng ..... D12/209 X  
D428,593 S \* 7/2000 Julien ..... D12/209

(75) **Inventor:** **Takahiro Kokubu, Wako (JP)**

\* cited by examiner

(73) **Assignee:** **Honda Giken Kogyo Kabushiki Kaisha, Tokyo (JP)**

*Primary Examiner*—Stacia Cadmus

(\*\*) **Term:** **14 Years**

(74) *Attorney, Agent, or Firm*—Arent Fox Kintner Plotkin & Kahn, PLLC

(21) **Appl. No.:** **29/138,077**

(57) **CLAIM**

(22) **Filed:** **Mar. 7, 2001**

The ornamental design for a wheel for a two-wheeled motor vehicle, as shown and described.

(30) **Foreign Application Priority Data**

Sep. 7, 2000 (JP) ..... 2000-024989

**DESCRIPTION**

(51) **LOC (7) Cl.** ..... **12-16**

FIG. 1 is a front view of the wheel for a two-wheeled motor vehicle showing my new design.

(52) **U.S. Cl.** ..... **D12/209**

FIG. 2 is a rear view thereof.

(58) **Field of Search** ..... D12/204-211;  
301/37.1, 64.1, 65

FIG. 3 is a right side view thereof.

FIG. 4 is a left side view thereof

FIG. 5 is a plan view thereof.

FIG. 6 is a bottom view thereof.

(56) **References Cited**

**U.S. PATENT DOCUMENTS**

- D49,521 S \* 8/1916 Kunst ..... D12/209
- D292,693 S \* 11/1987 Cattaneo ..... D12/211
- D300,422 S \* 3/1989 Schinella ..... D12/209
- D300,818 S \* 4/1989 Reid ..... D12/209
- D364,844 S \* 12/1995 Chien ..... D12/209
- D370,652 S \* 6/1996 Londry ..... D12/209
- D372,697 S \* 8/1996 Echazabal et al. .... D12/209
- D378,506 S \* 3/1997 Stolz et al. .... D12/209
- D384,931 S \* 10/1997 Neeper ..... D12/209
- D385,838 S \* 11/1997 Cullen ..... D12/209
- D389,101 S \* 1/1998 Julien ..... D12/209 X
- D398,273 S \* 9/1998 Suprihanto ..... D12/209

FIG. 7 is a reference front view thereof.

FIG. 8 is a reference rear view thereof.

FIG. 9 is an end face view in a sectioned area taken along a line 9—9 in FIG. 7.

FIG. 10 is an end face view in a sectioned area taken along a line 10—10 in FIG. 8.

FIG. 11 is an end face view in a sectioned area taken along a line 11—11 in FIG. 7; and,

FIG. 12 is an end face view in a sectioned area taken along a line 12—12 in FIG. 8.

**1 Claim, 6 Drawing Sheets**

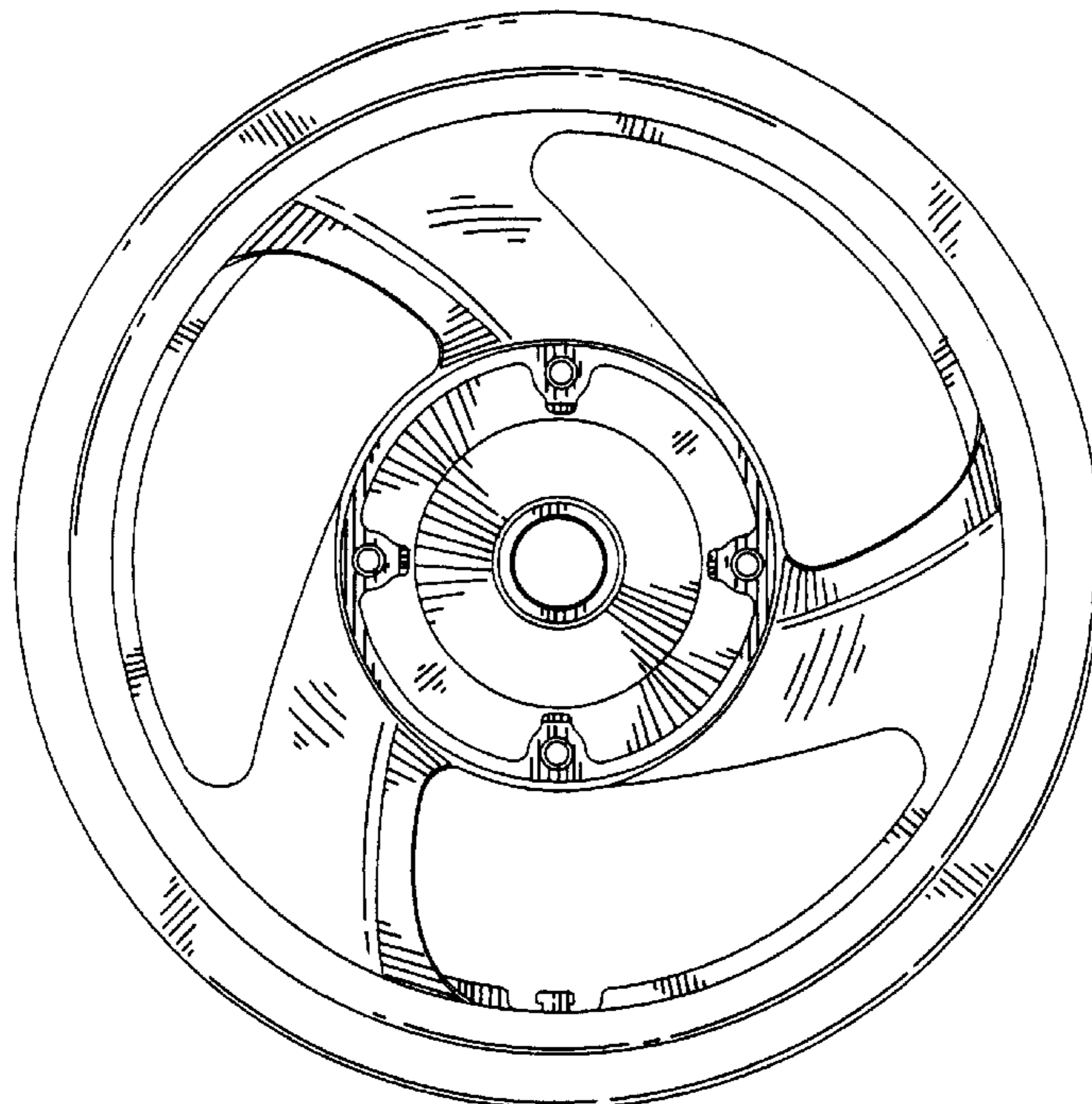


FIG. 1

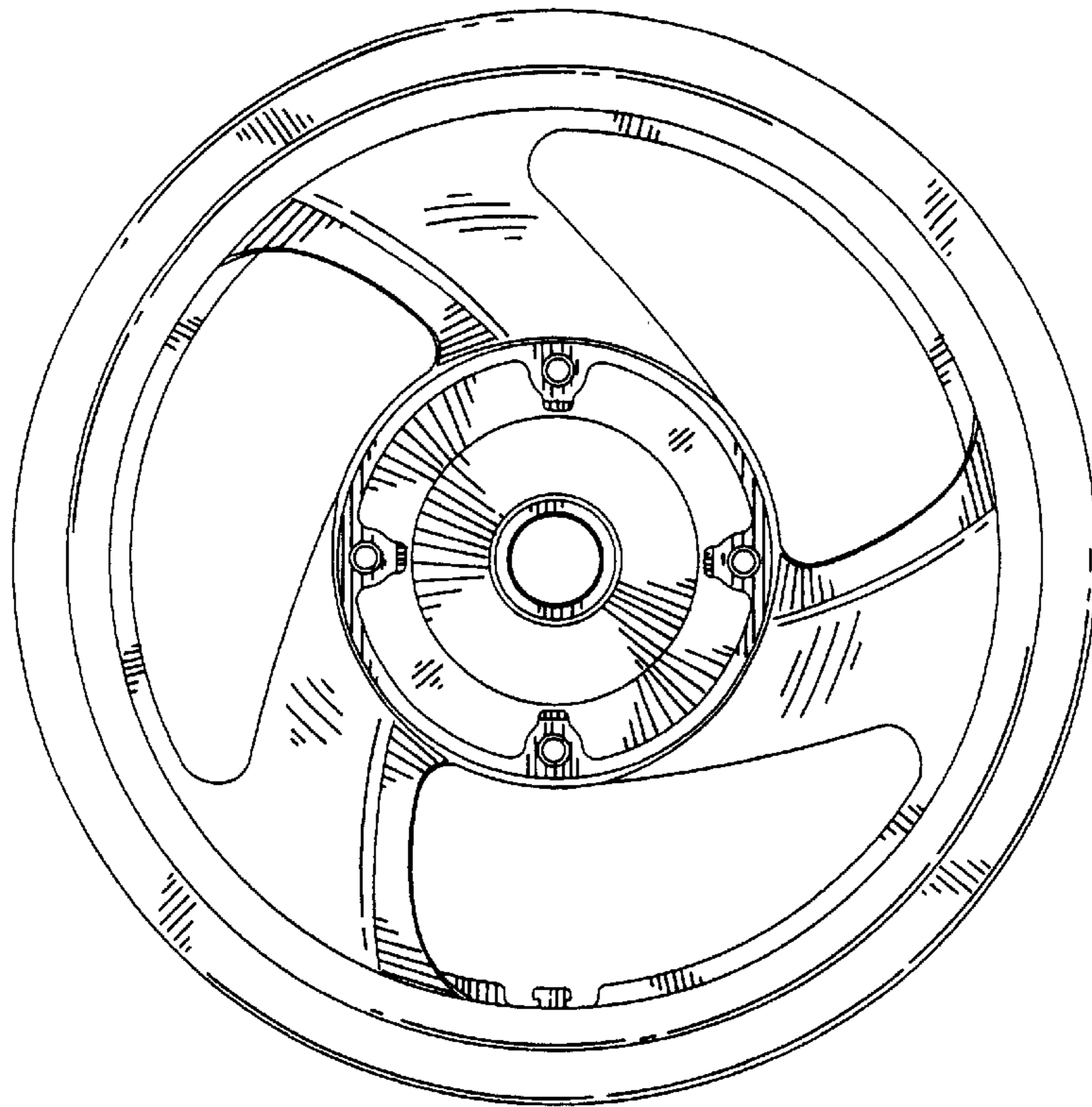


FIG. 2

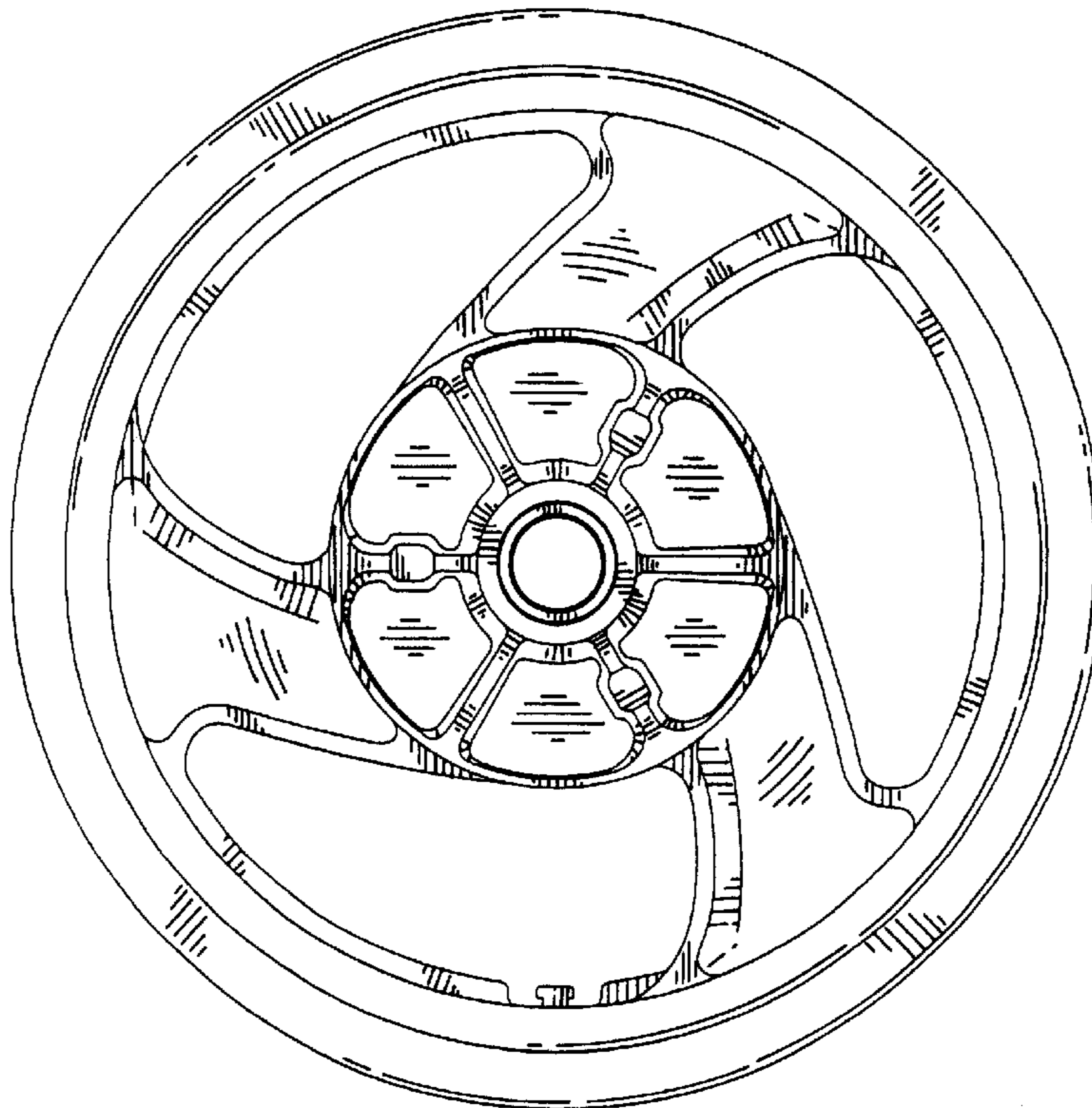


FIG.3

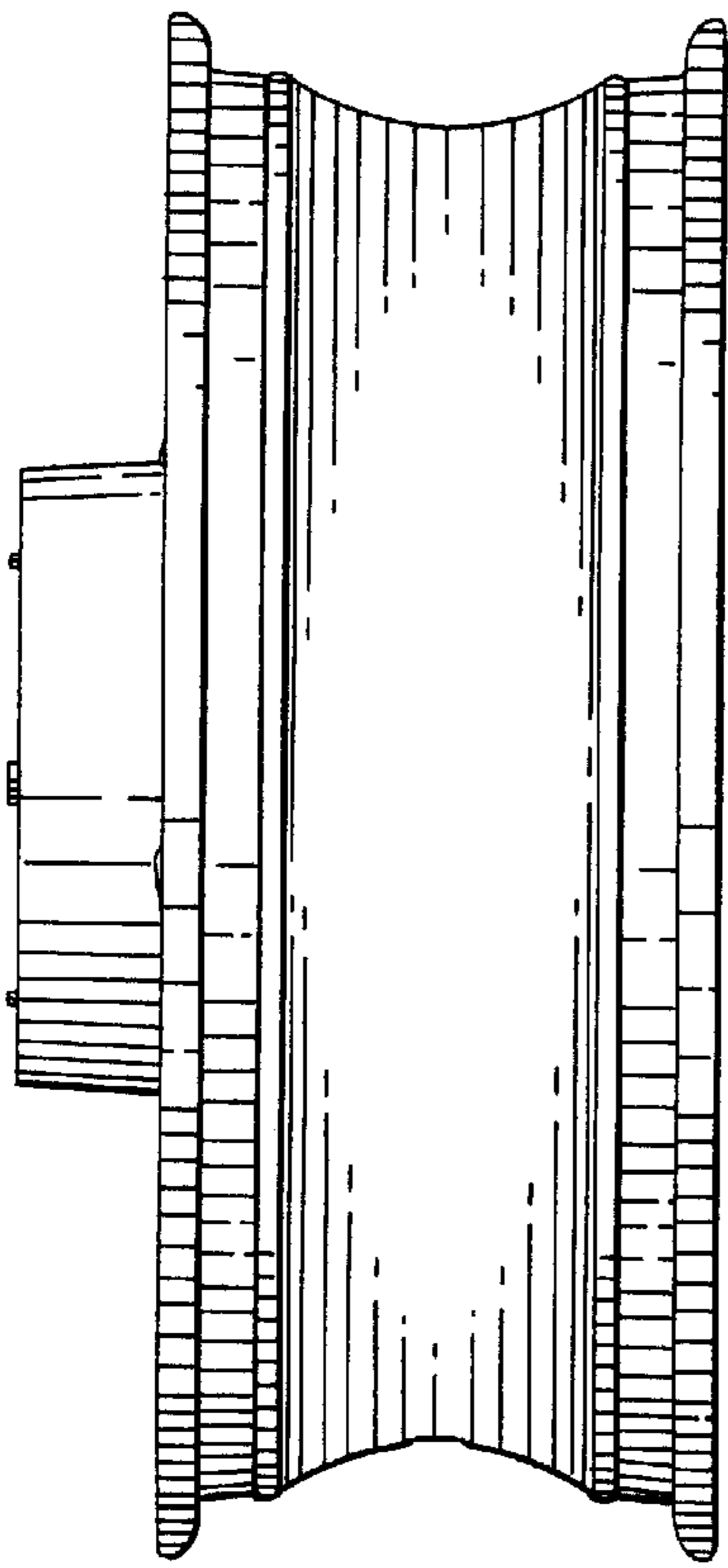


FIG.4

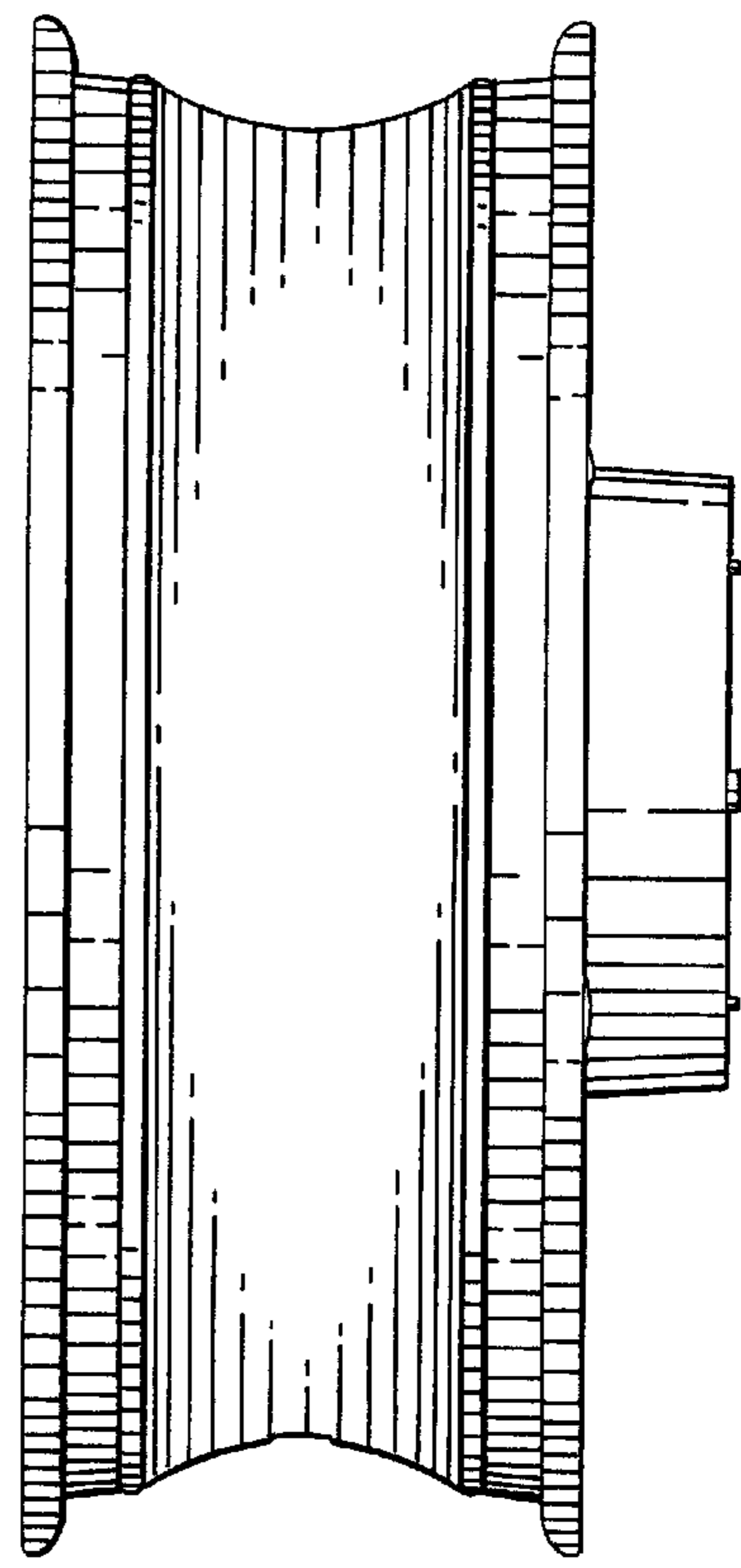


FIG. 5

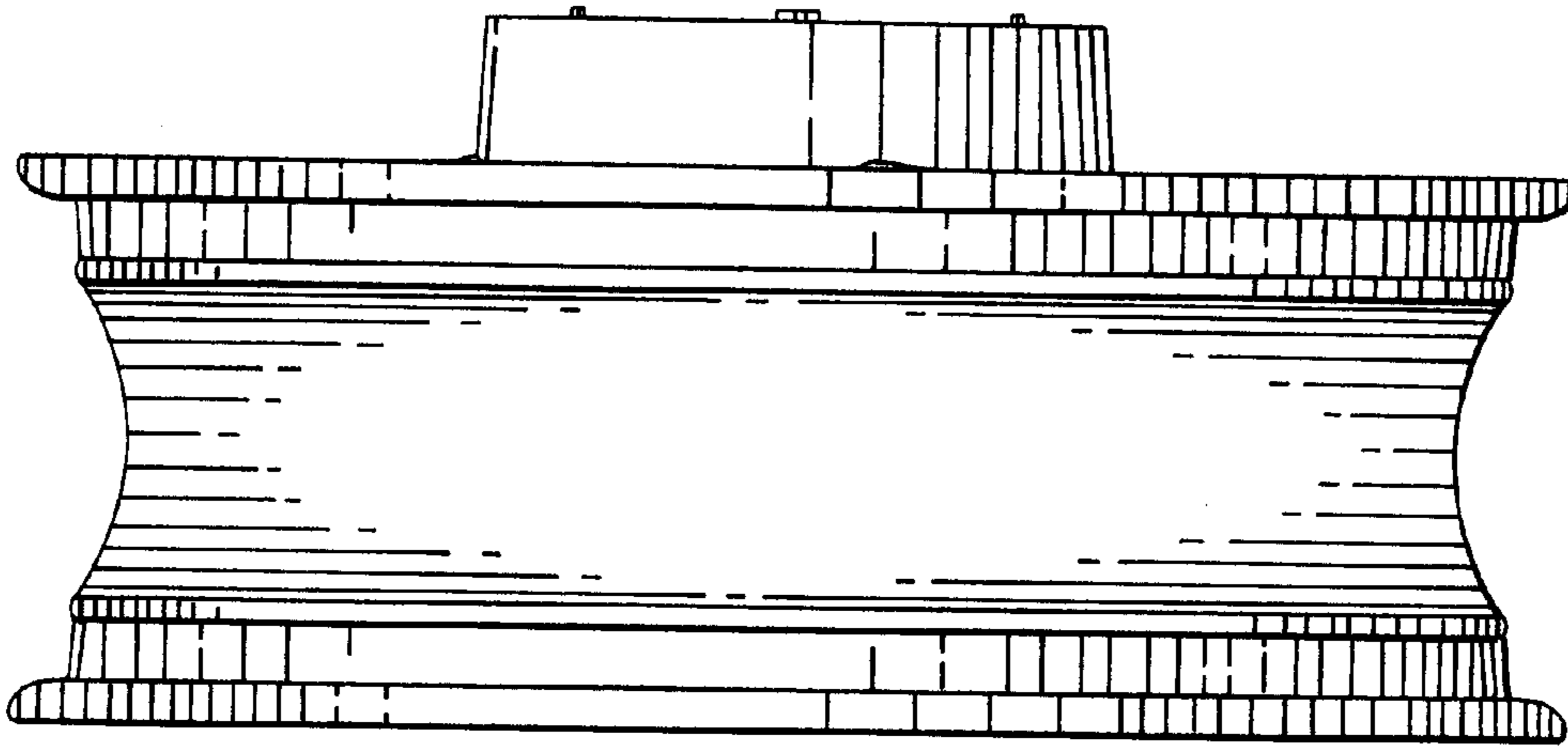


FIG. 6

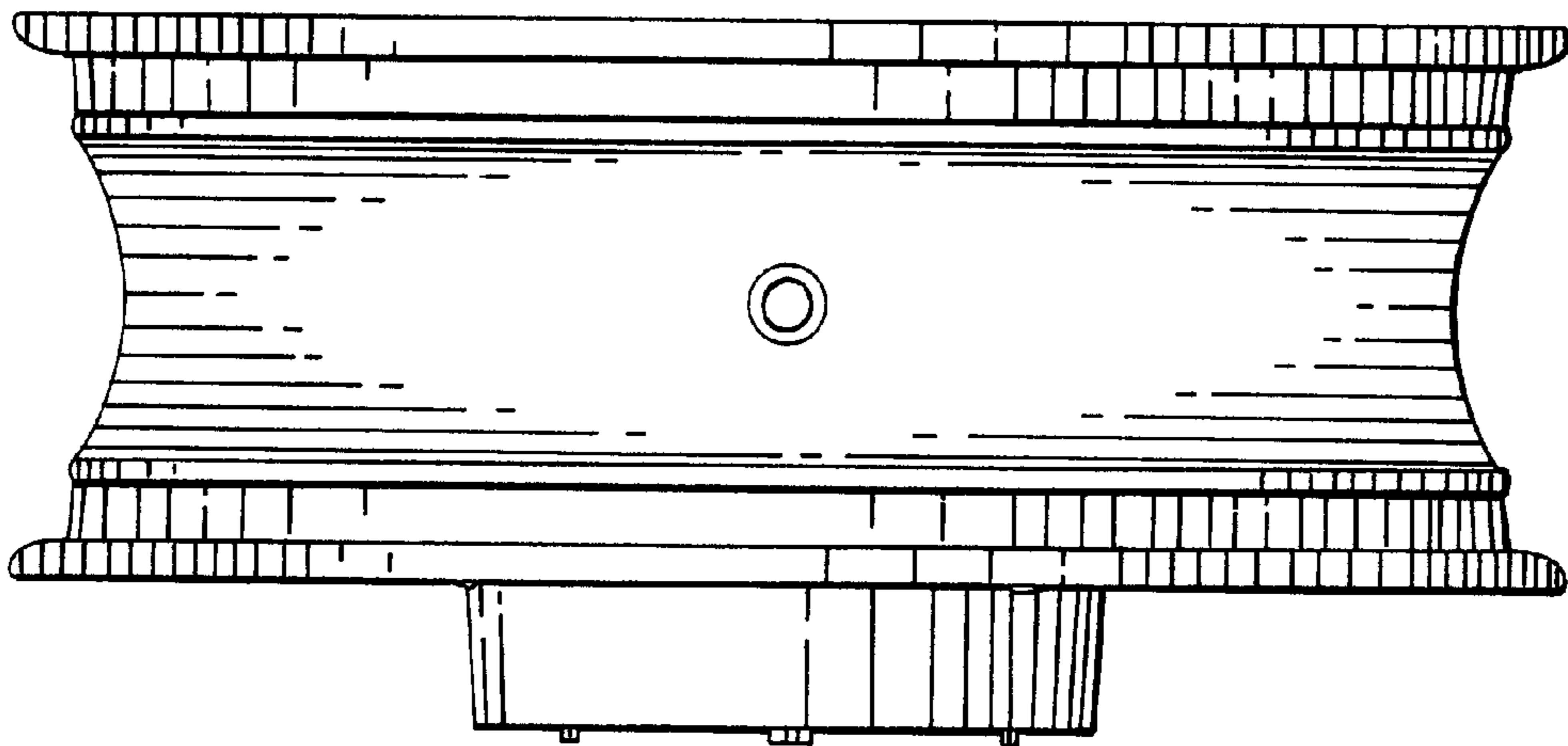




FIG. 7

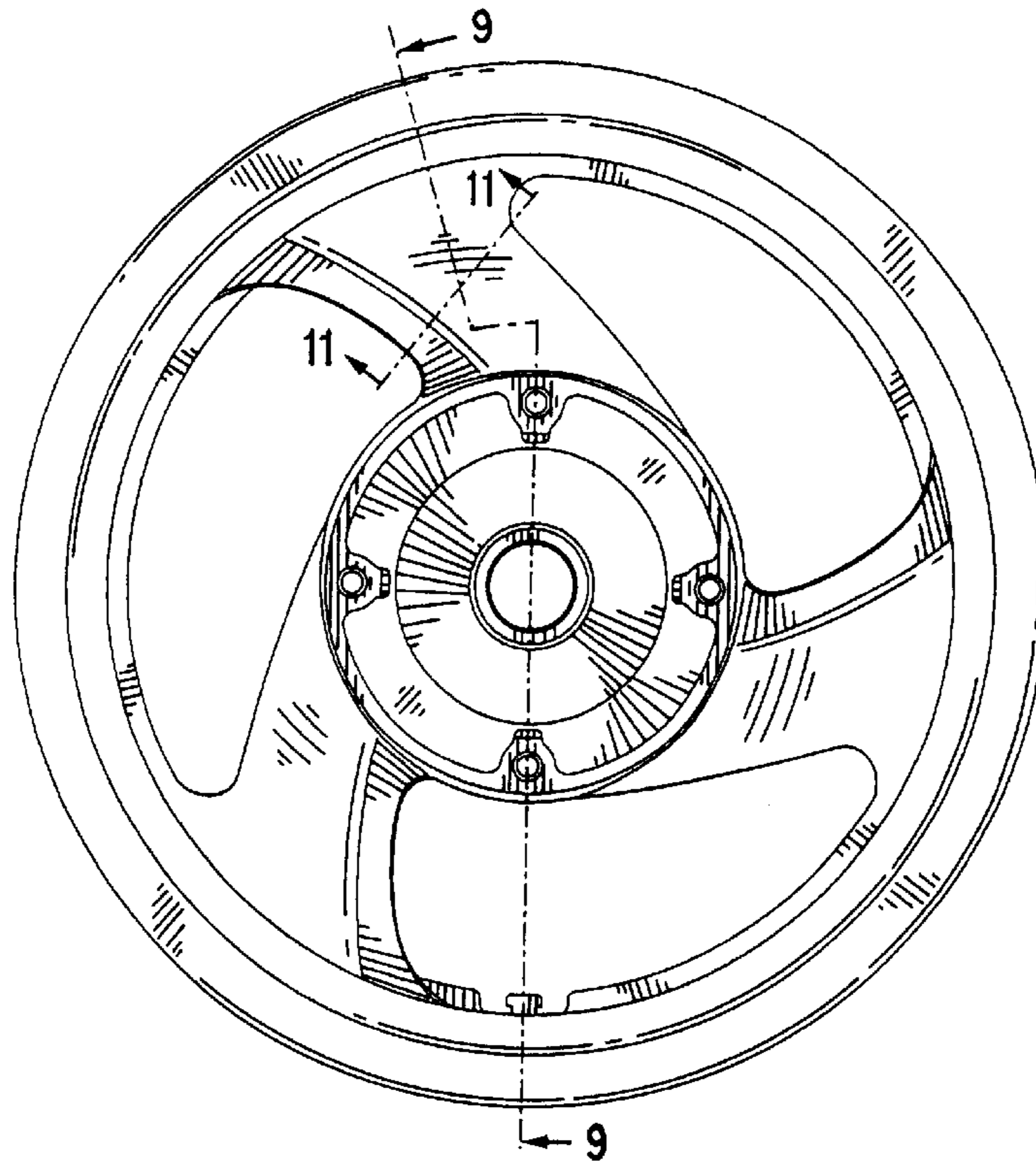
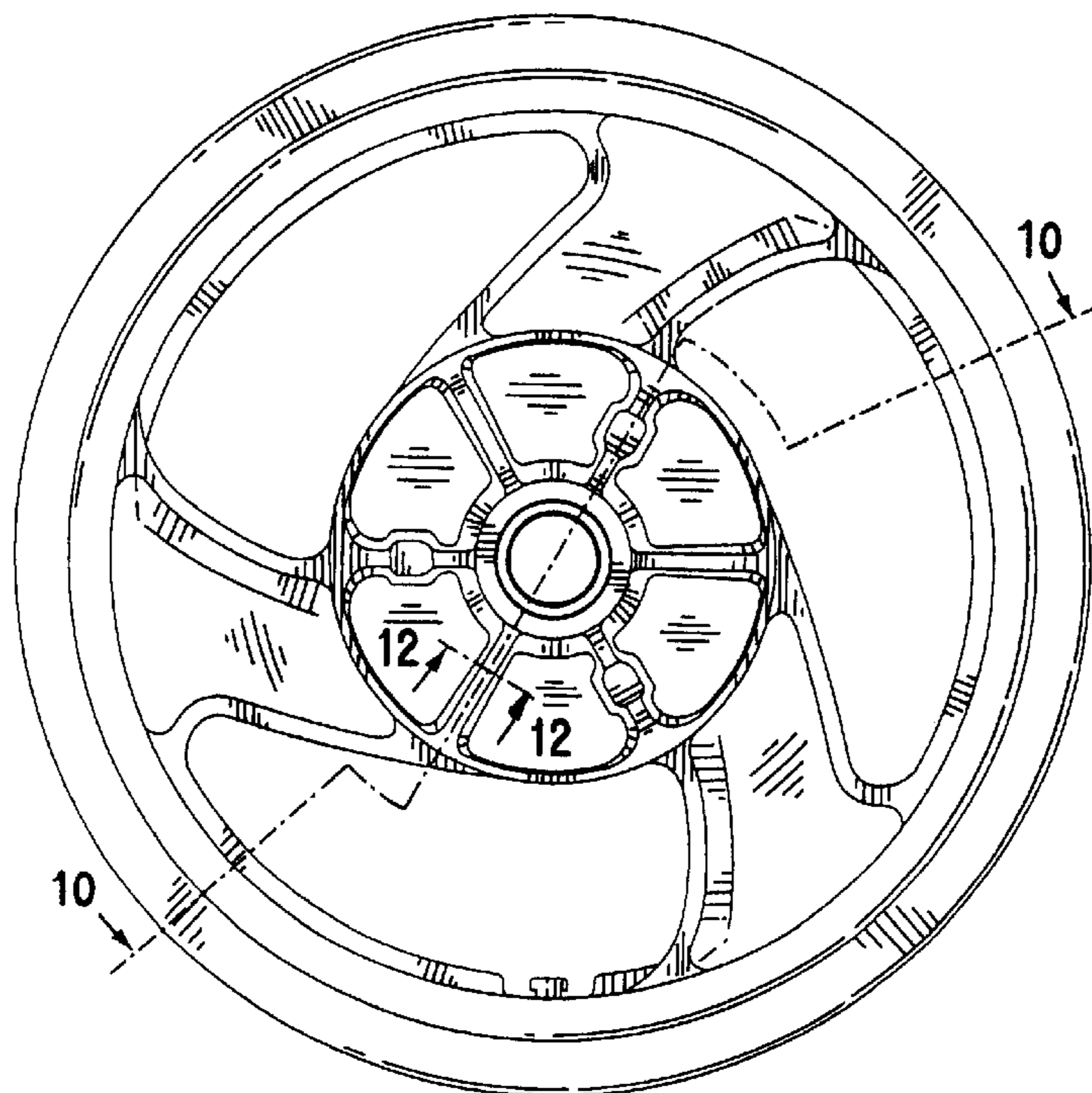


FIG. 8



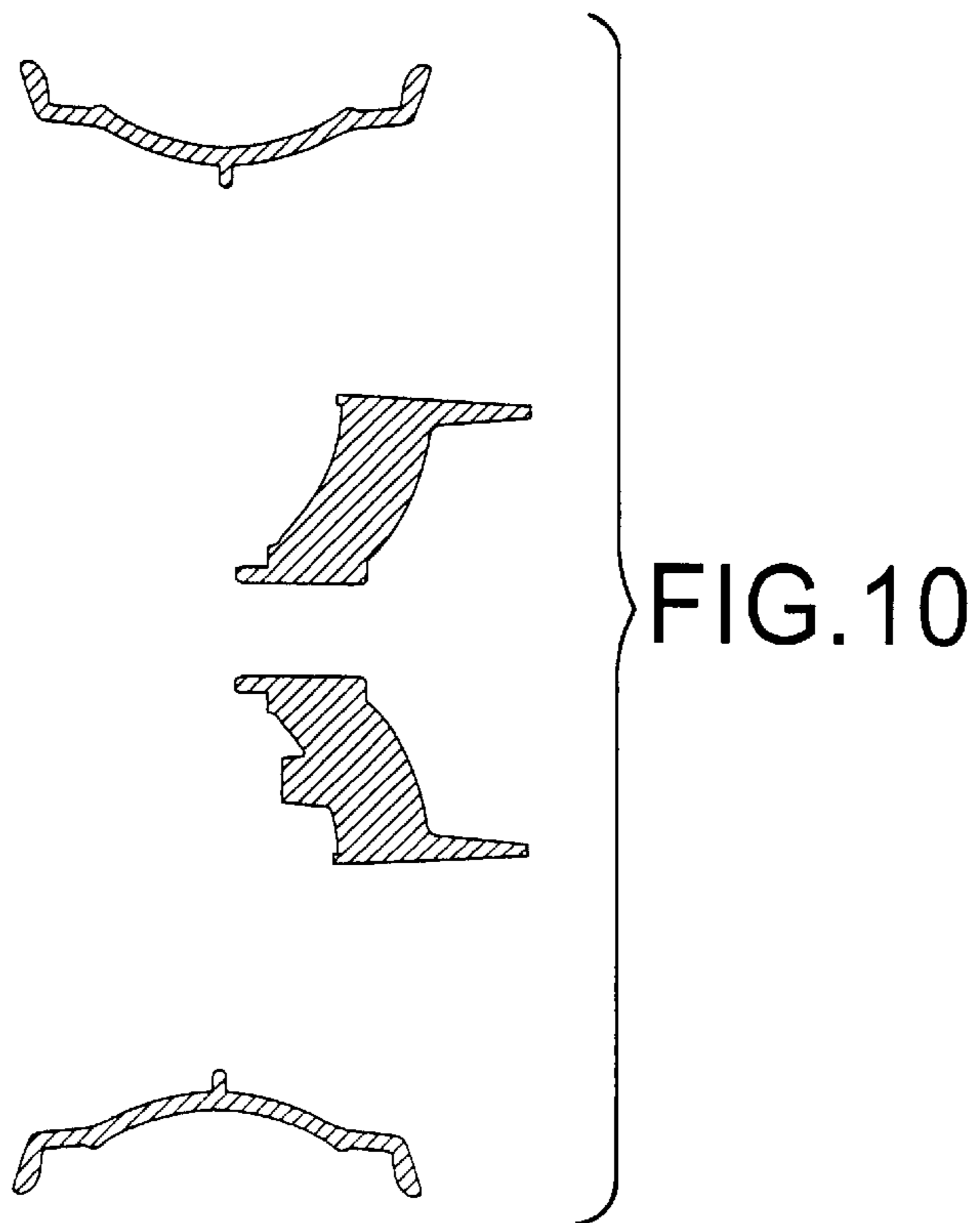
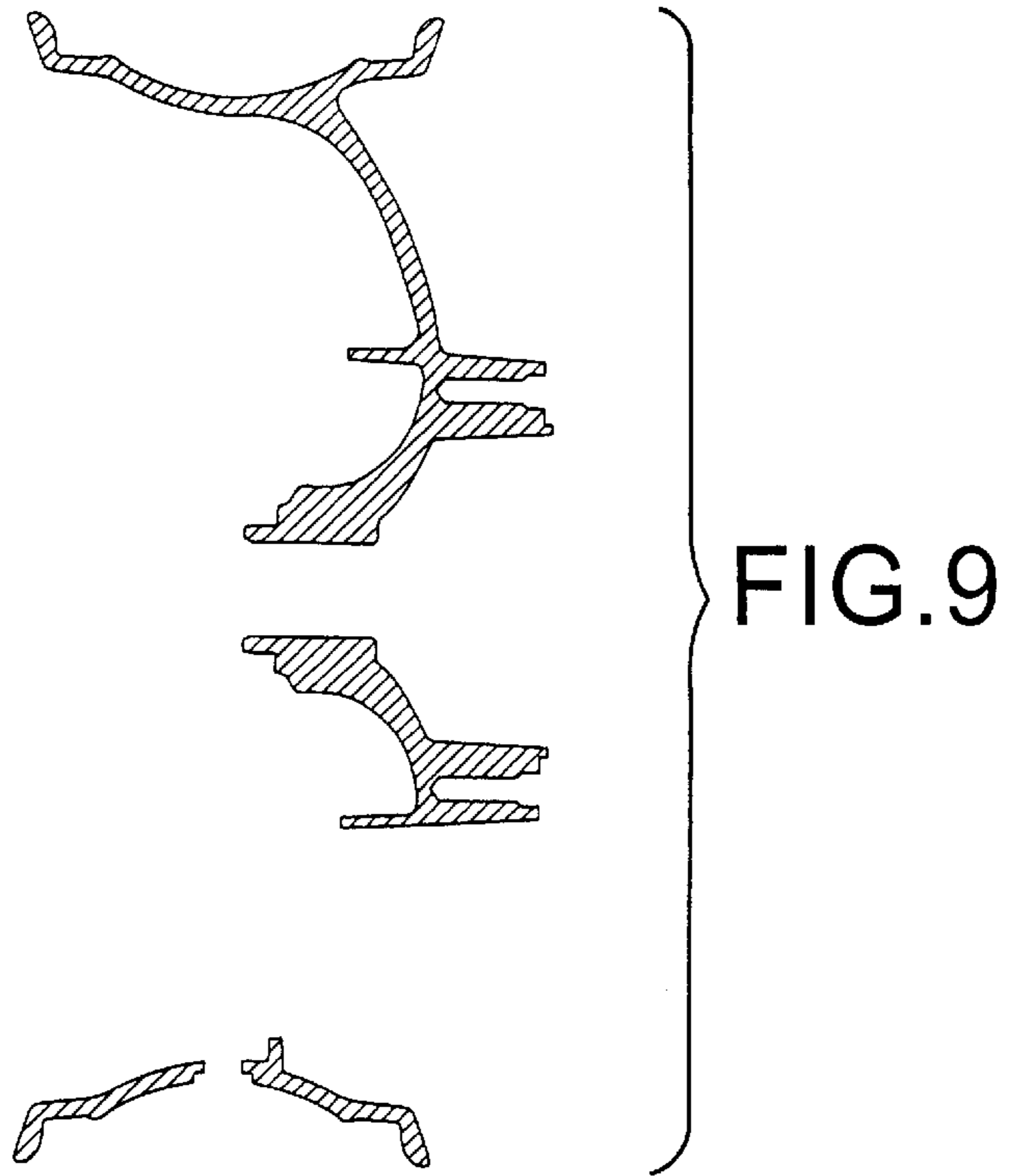


FIG. 11

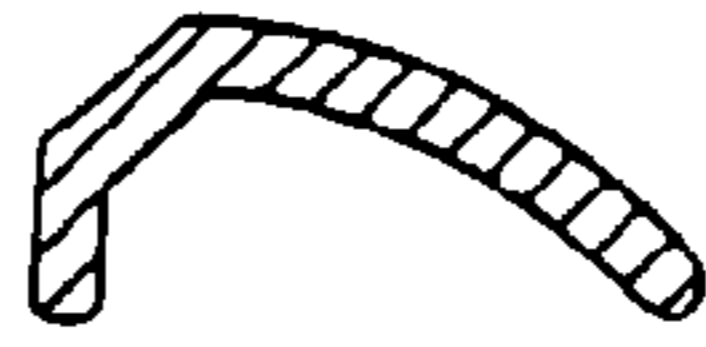


FIG. 12

