



US00D453721S

(12) **United States Design Patent**
Papke et al.

(10) **Patent No.:** **US D453,721 S**

(45) **Date of Patent:** **** Feb. 19, 2002**

(54) **SURFACE CONFIGURATION OF A SIDE MIRROR FOR A VEHICLE**

(75) Inventors: **Wolfgang Papke**, Ulm; **Uwe Roith**, Bad Liebenzell-Moettlingen; **Pieter Ketele**, Elchingen, all of (DE)

(73) Assignee: **DaimlerChrysler AG**, Stuttgart (DE)

(**) Term: **14 Years**

(21) Appl. No.: **29/132,005**

(22) Filed: **Nov. 1, 2000**

Related U.S. Application Data

(62) Division of application No. 29/127,343, filed on Aug. 7, 2000, now Pat. No. Des. 442,888.

(30) **Foreign Application Priority Data**

Feb. 7, 2000 (DE) 4 00 01 092

(51) **LOC (7) Cl.** **12-16**

(52) **U.S. Cl.** **D12/187**

(58) **Field of Search** D12/187, 188, D12/189; D6/300, 309; D28/64.6; 248/475.1, 479, 480, 481, 483, 487, 494; 359/838, 841, 843, 844, 850, 868, 871, 872, 874, 876, 877, 881, 604

(56) **References Cited**

U.S. PATENT DOCUMENTS

3,954,328 A * 5/1976 Ames 248/480

4,832,476 A	*	5/1989	Gabrielyan	359/865
5,210,655 A	*	5/1993	Mishali	359/850
5,245,479 A	*	9/1993	Falanga	359/838
D375,070 S	*	10/1996	Yeabower	D12/187
D375,926 S	*	11/1996	Snyder	D12/187
5,579,133 A	*	11/1996	Black et al.	359/866
D431,219 S	*	9/2000	Englander et al.	D12/187
D442,888 S	*	5/2001	Papke et al.	D12/84

* cited by examiner

Primary Examiner—Alan P. Douglas

Assistant Examiner—Clare E. Heflin

(74) *Attorney, Agent, or Firm*—Crowell & Moring LLP

(57) **CLAIM**

The ornamental design for a surface configuration of a side mirror for a vehicle, as shown and described.

DESCRIPTION

FIG. 1 is a side view of a surface configuration of a side mirror for a vehicle according to our novel design;

FIG. 2 is a rear view of the surface configuration of a side mirror for a vehicle according to our novel design;

FIG. 3 is a perspective view of the surface configuration of a side mirror for a vehicle according to our novel design; and,

FIG. 4 is a front view of the surface configuration of a side mirror for a vehicle according to our novel design.

The dash lines included depict environment and are not part of the claimed design.

1 Claim, 2 Drawing Sheets

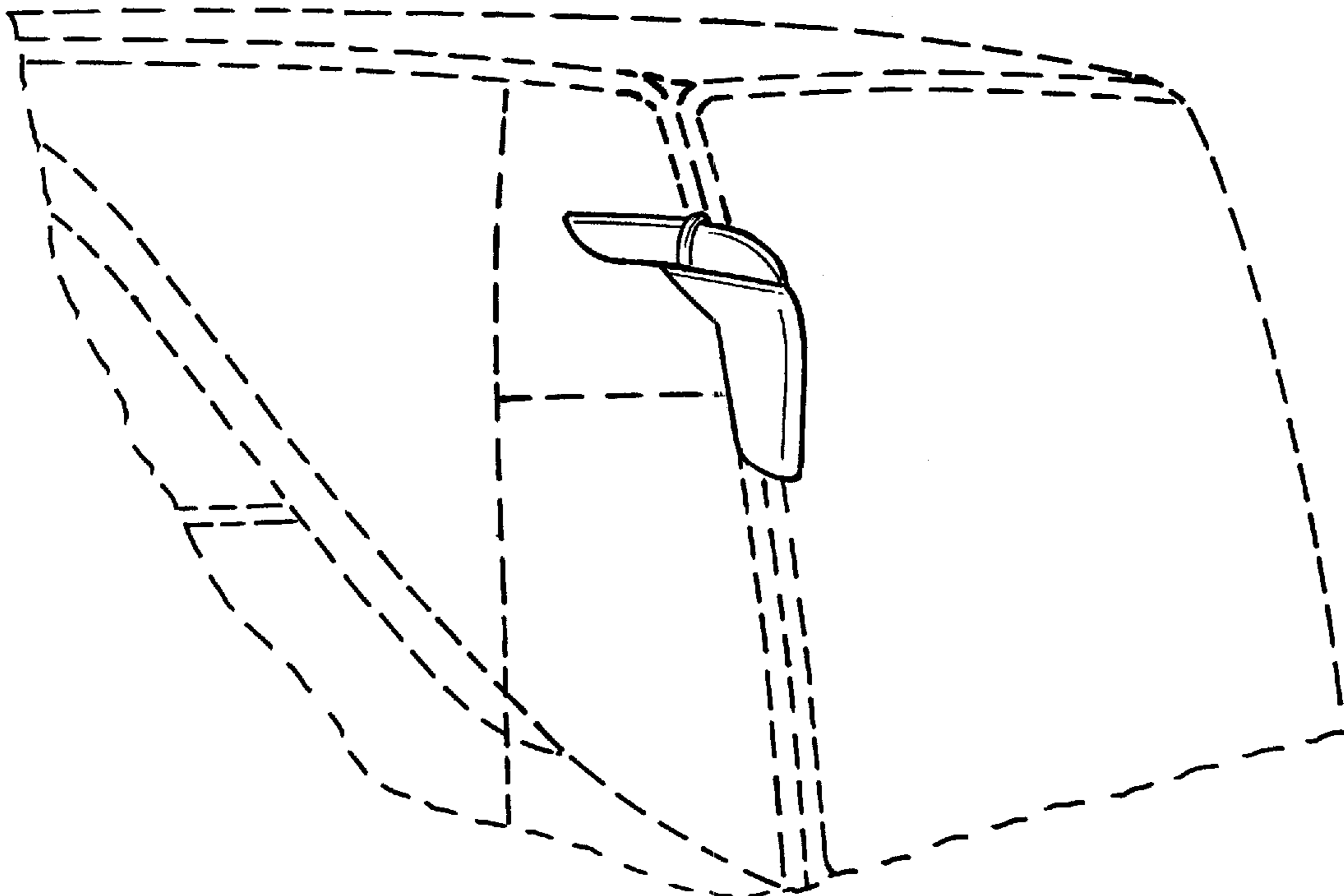


FIG. 1

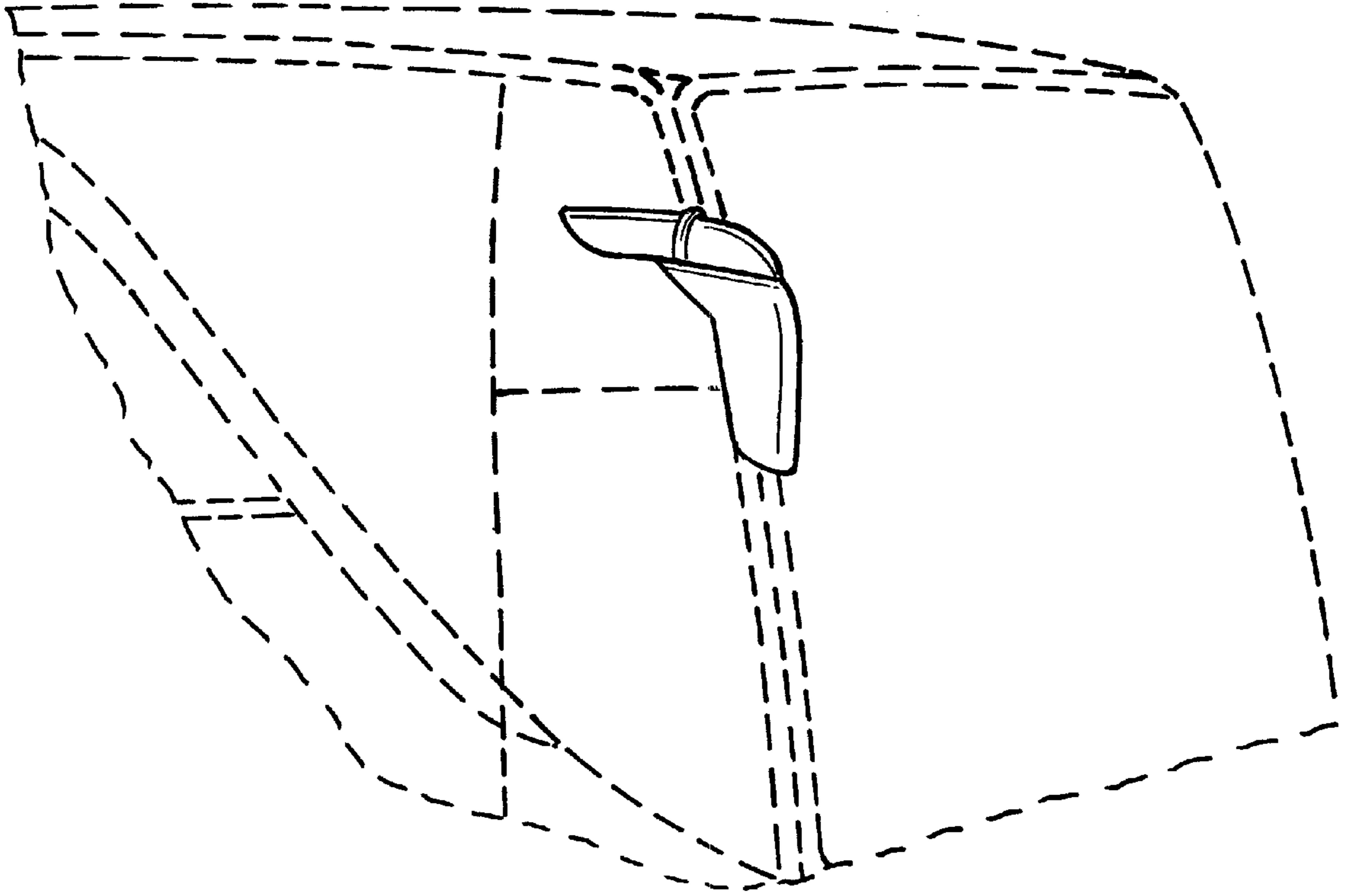


FIG. 2

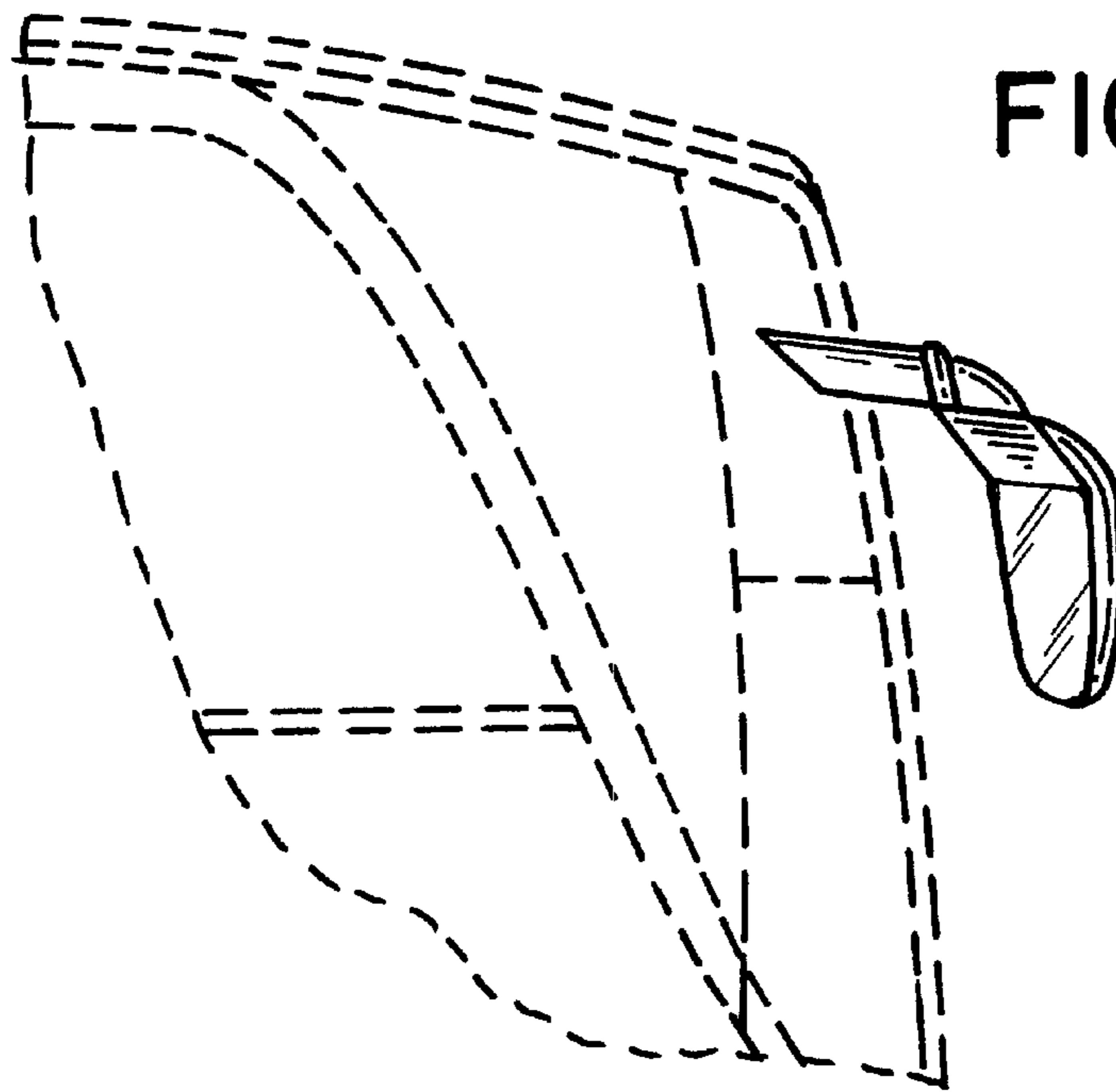


FIG. 3

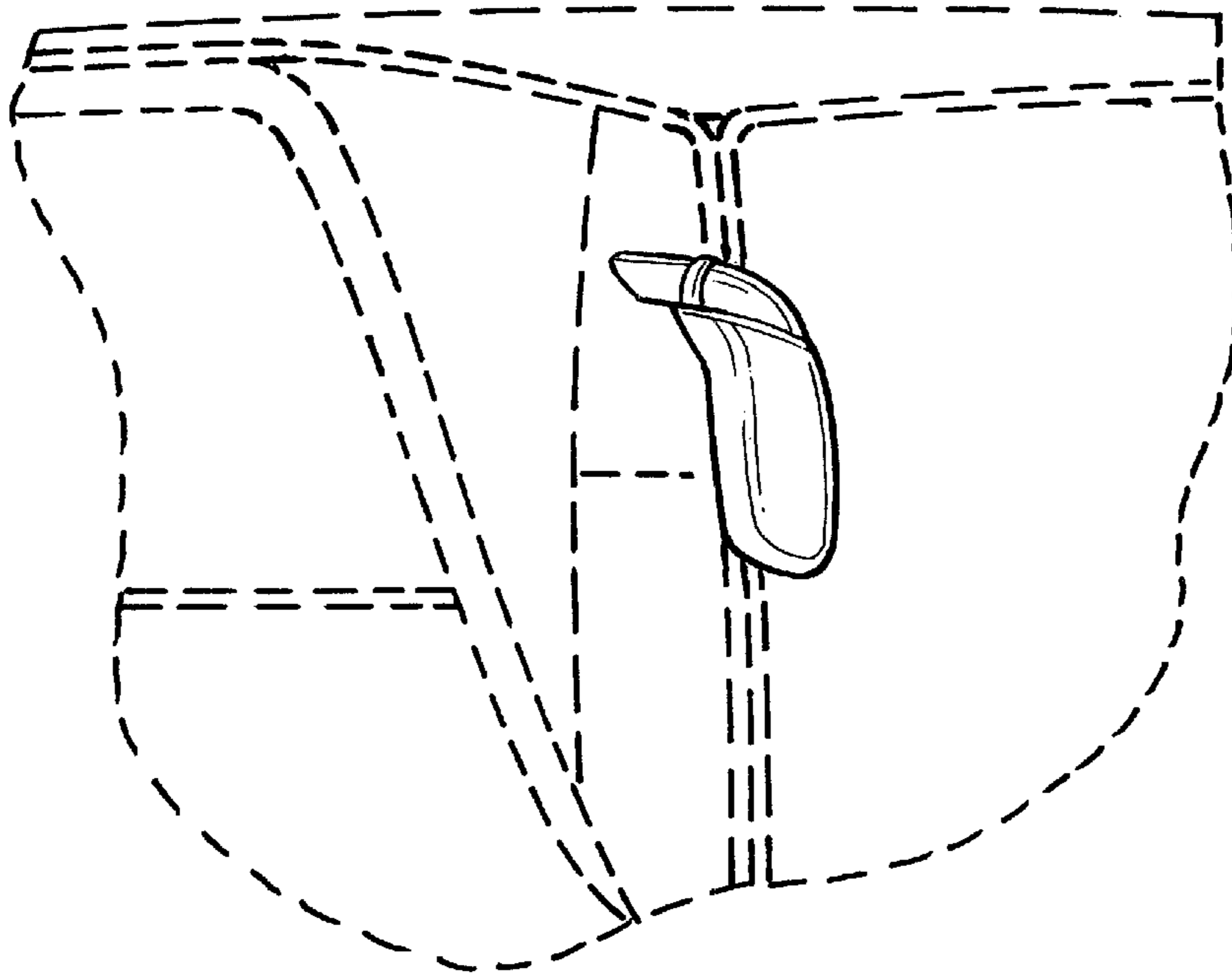


FIG. 4

