



US00D453717S

(12) **United States Design Patent**
Hawker et al.

(10) **Patent No.:** **US D453,717 S**

(45) **Date of Patent:** **** Feb. 19, 2002**

(54) **JOGGING STROLLER FRAME**

(75) Inventors: **Ryan Moss Hawker**, Birdsboro, PA (US); **Jeng Jun Xu**, Dongguan (CN); **Wen Bo Len**, Dongguan (CN); **Gou Zheng Wen**, Dongguan (CN); **Zeng Wu Rong**, Dongguan (CN); **Hang Xue Qun**, Dongguan (CN); **Zhang Feng Yun**, Dongguan (CN)

(73) Assignees: **Graco Children's Products Inc.**, Elverson, PA (US); **Dongguan Wonderland Nurserygoods Co. Ltd.**, Dongguan (CN)

(**) Term: **14 Years**

(21) Appl. No.: **29/141,142**

(22) Filed: **May 2, 2001**

(51) **LOC (7) Cl.** **12-12**

(52) **U.S. Cl.** **D12/129**

(58) **Field of Search** D12/128-133;
D34/18; 280/36, 38, 42, 47.38, 641, 643,
642, 650, 658

(56) **References Cited**

U.S. PATENT DOCUMENTS

D297,525 S	9/1988	Baechler	
D350,923 S	9/1994	Schmidlin et al.	
D356,760 S	3/1995	Baechler	
D357,890 S	5/1995	Eyman et al.	
D362,419 S	9/1995	Chih	
D363,903 S	11/1995	Chiu	
D369,579 S	5/1996	Baechler	
D369,992 S	5/1996	Baechler	
D370,194 S	5/1996	Baechler et al.	
D371,094 S	6/1996	Hinkston	
D379,333 S	5/1997	Jacobs	
D382,234 S	8/1997	Hinkston	
5,669,624 A *	9/1997	Eichhorn	280/642
D385,514 S	10/1997	Eyman et al.	
D397,316 S	8/1998	Baechler	
D399,458 S	10/1998	Ziegler et al.	

D402,597 S	12/1998	Everett	
D409,530 S	5/1999	Chen et al.	
D409,531 S	5/1999	Baechler	
D415,073 S	10/1999	Meehan et al.	
D418,780 S	1/2000	Everett et al.	
D419,113 S	1/2000	Everett	
D422,948 S *	4/2000	Huang	D12/129
D426,176 S	6/2000	Sutherland et al.	
D431,798 S	10/2000	Strycker et al.	
D442,895 S *	5/2001	Chiu	D12/129

OTHER PUBLICATIONS

Advertisement, "New Runner LX" by Chicco, p. 196 prior to May 2, 2001.

* cited by examiner

Primary Examiner—Marcus A. Jackson

(74) *Attorney, Agent, or Firm*—Foley & Lardner

(57) **CLAIM**

The ornamental design for a jogging stroller frame, as shown and described.

DESCRIPTION

FIG. 1 is a perspective view of a jogging stroller frame showing our new design;

FIG. 2 is a left-side view thereof;

FIG. 3 is a rear elevation view thereof;

FIG. 4 is a front elevation view thereof;

FIG. 5 is a bottom plan view thereof;

FIG. 6 is a top plan view thereof;

FIG. 7 is a perspective view of a jogging stroller frame showing another embodiment of our new design;

FIG. 8 is a left-side view thereof;

FIG. 9 is a rear elevation view thereof;

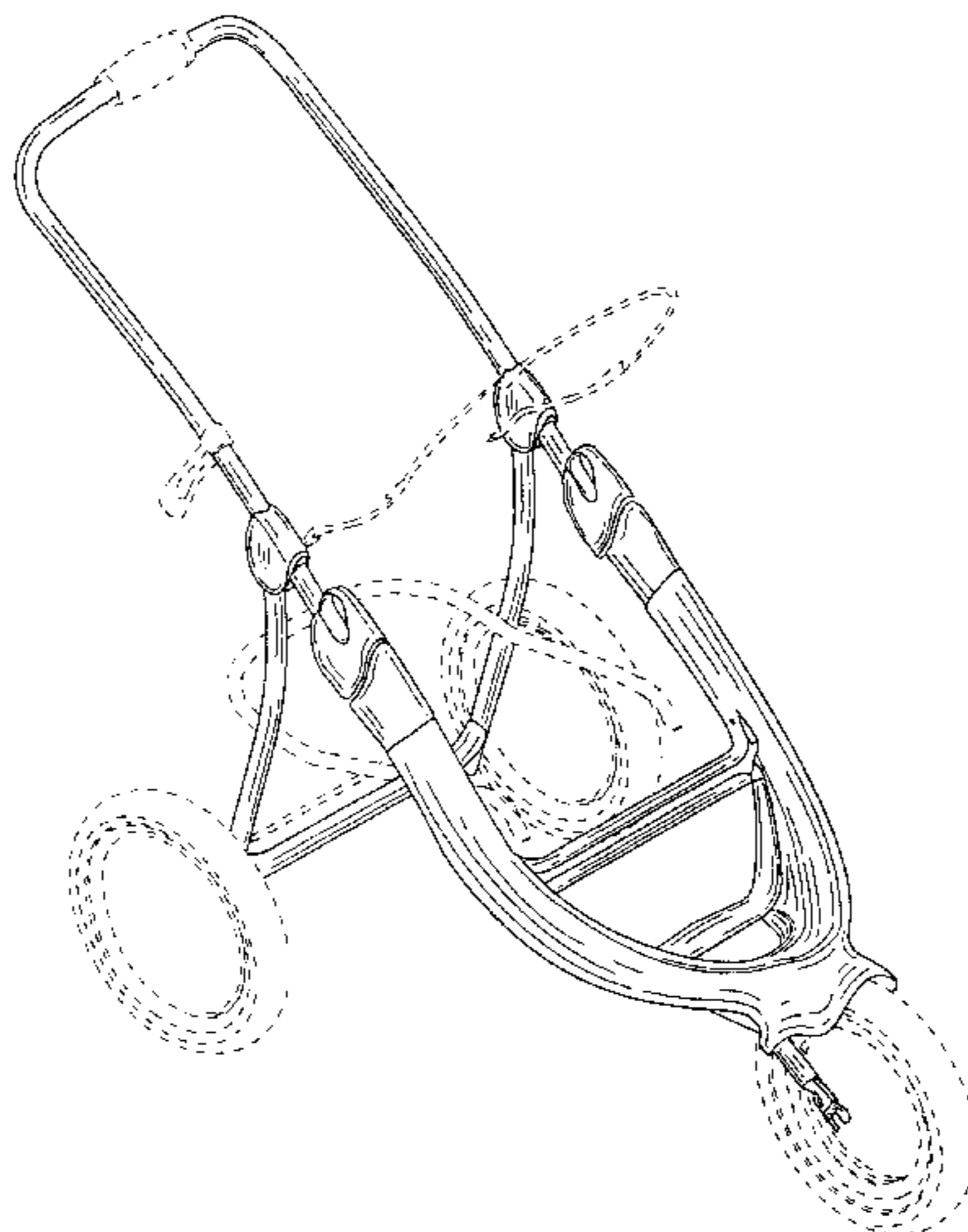
FIG. 10 is a front elevation view thereof;

FIG. 11 is a bottom plan view thereof; and,

FIG. 12 is a top plan view thereof.

The right-side view of the embodiment of FIGS. 1-6 is a mirror image of the left-side view shown in FIG. 2. The right-side view of the embodiment of FIGS. 7-12 is a mirror image of the left-side view shown in FIG. 8.

1 Claim, 12 Drawing Sheets



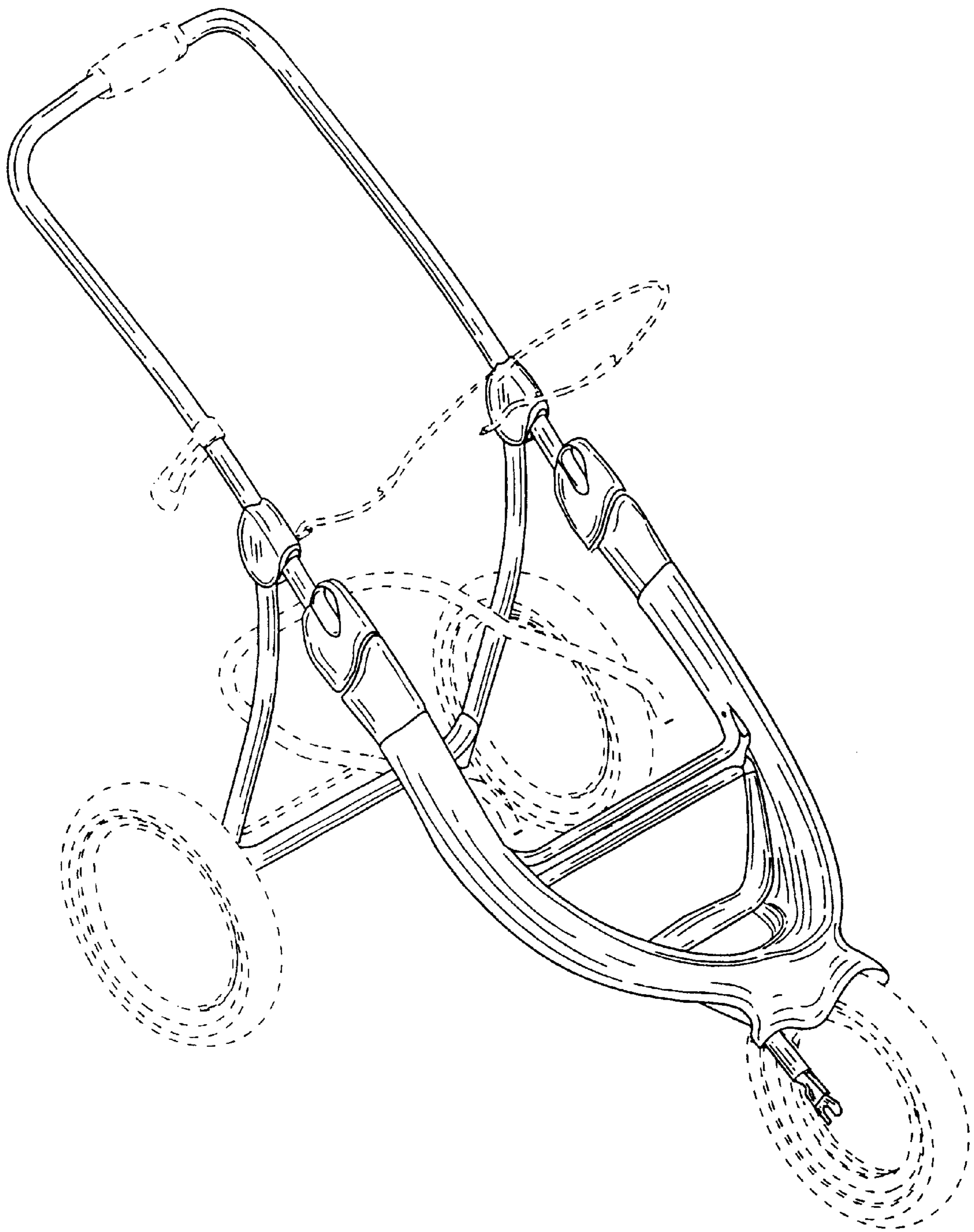


FIG. 1

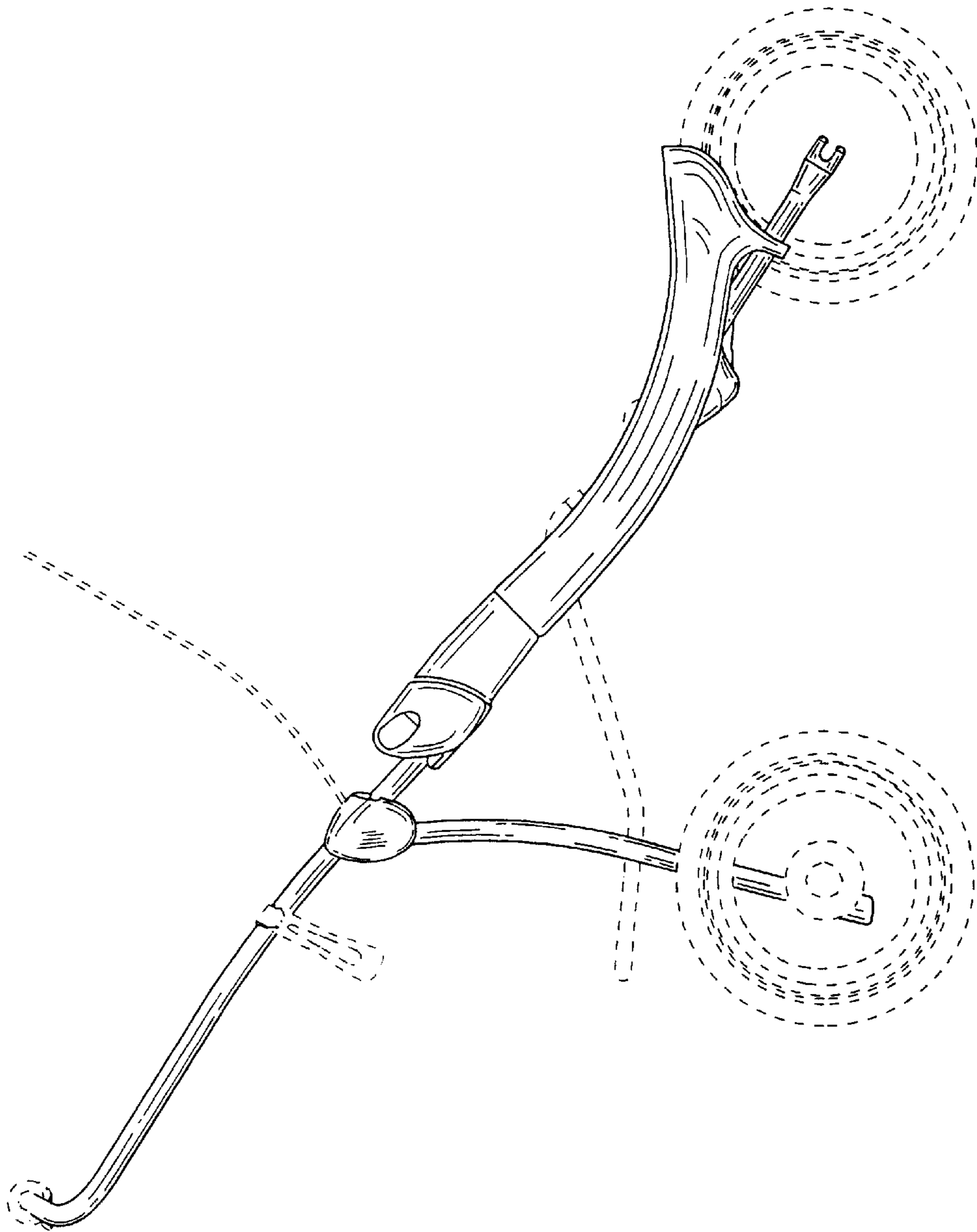


FIG. 2

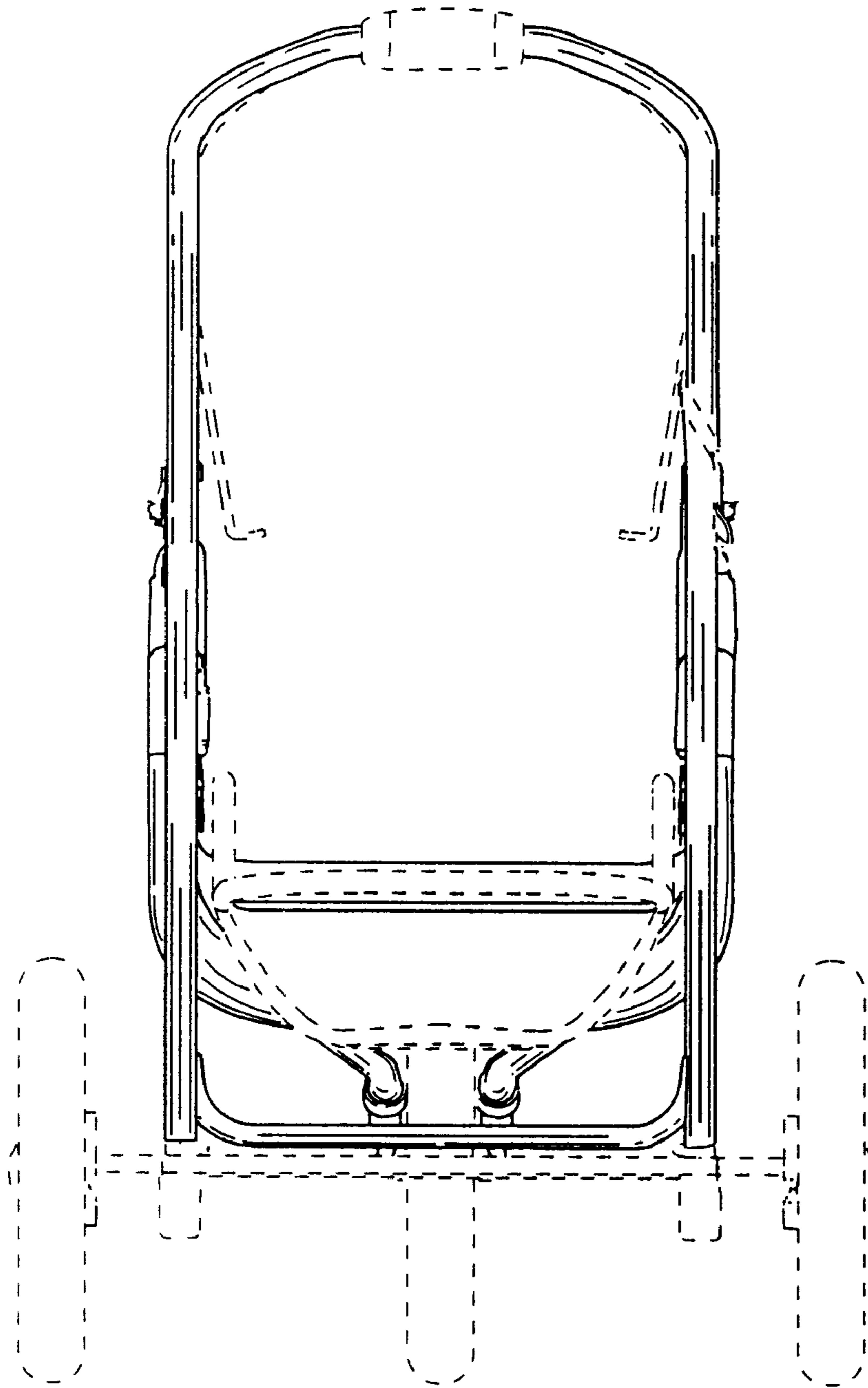


FIG. 3

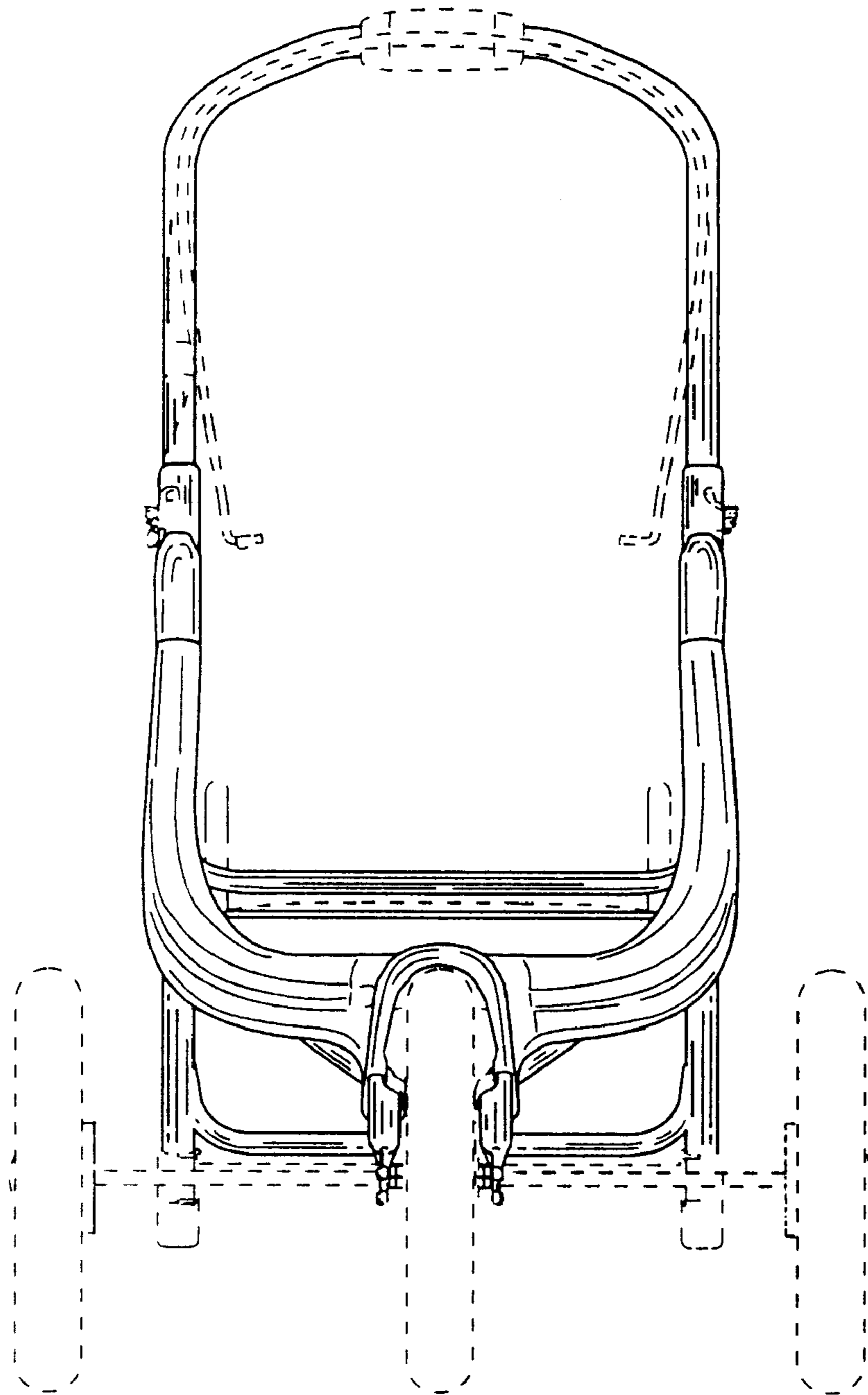


FIG. 4

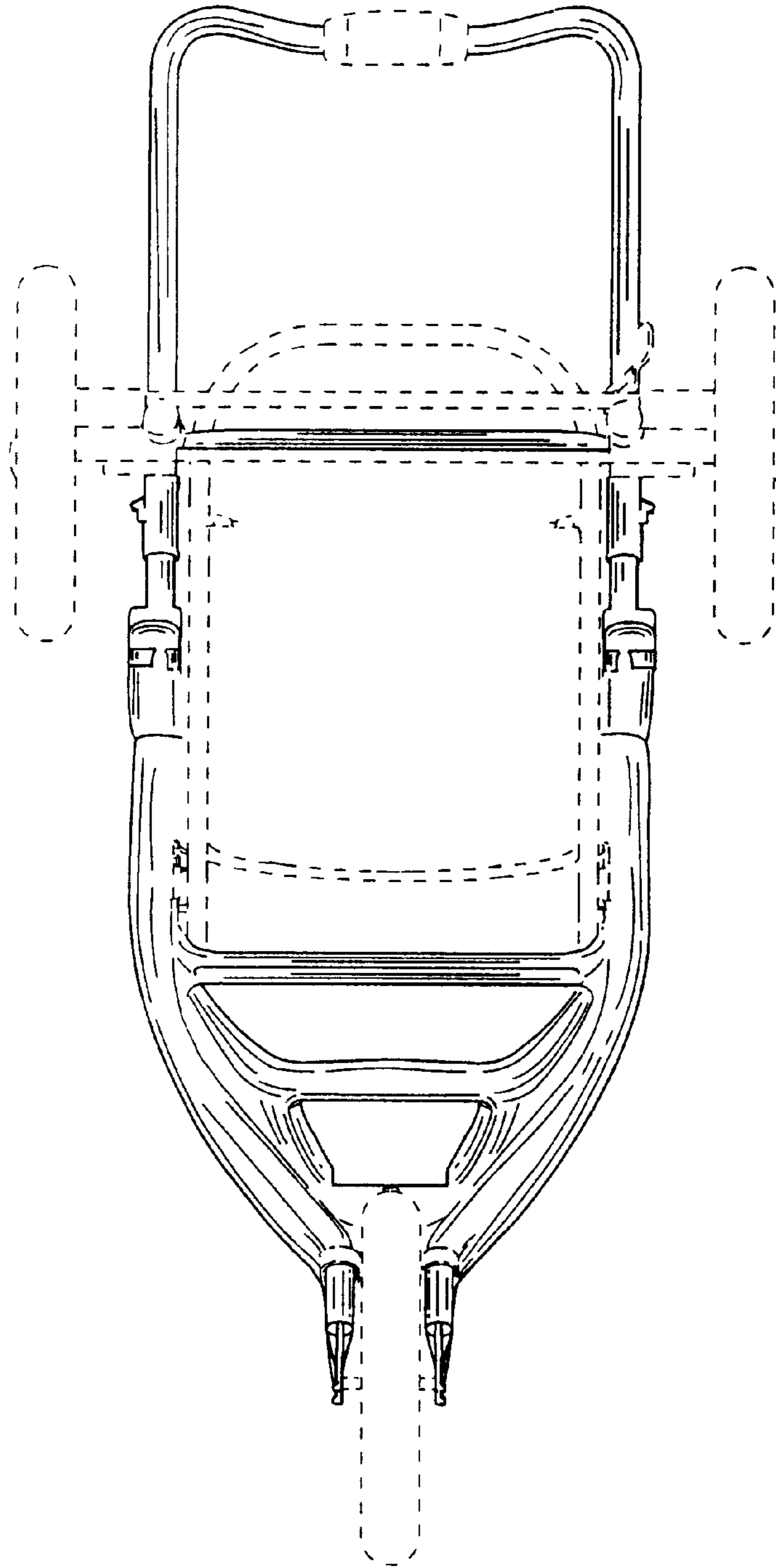


FIG. 5

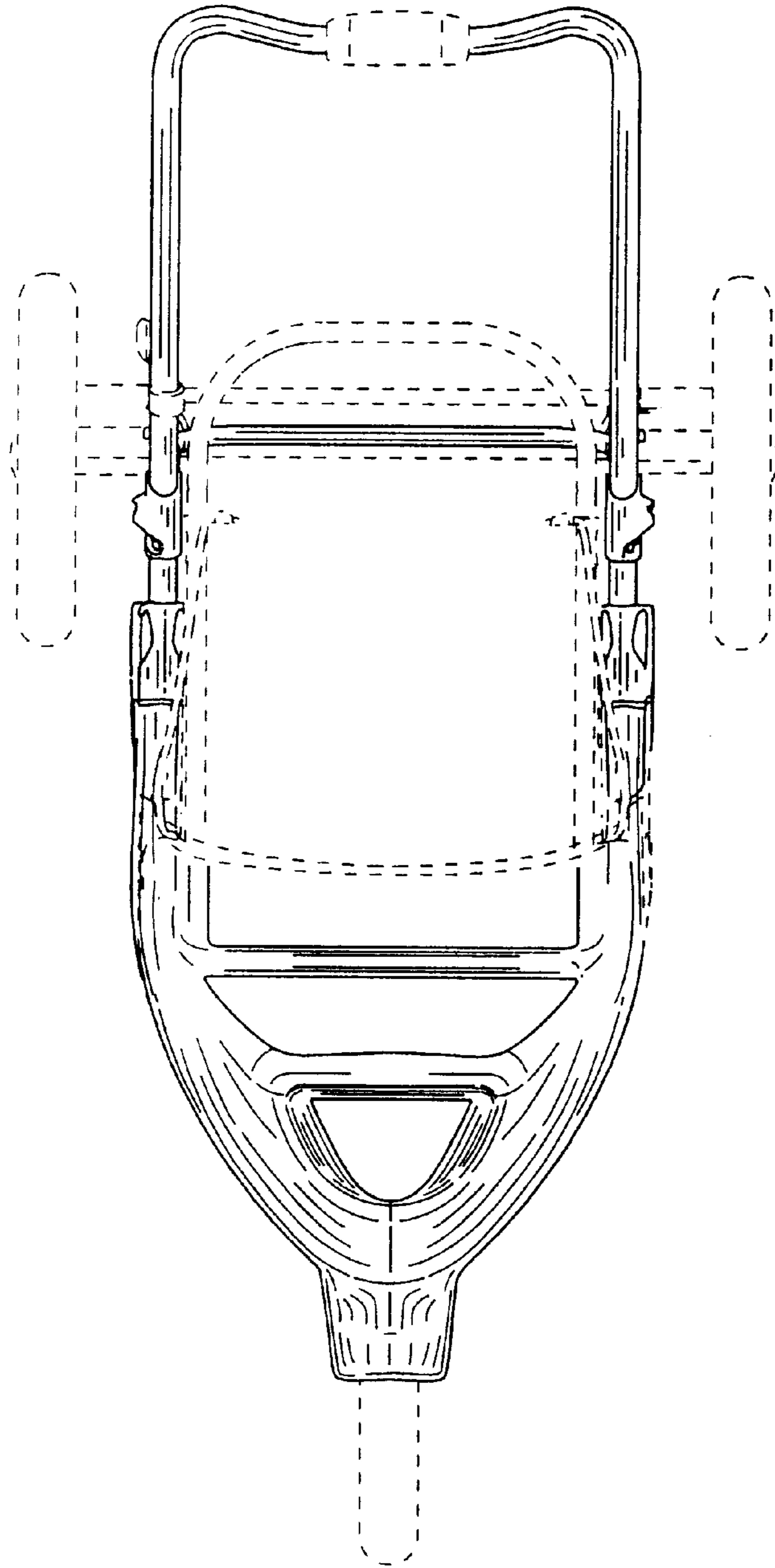


FIG. 6

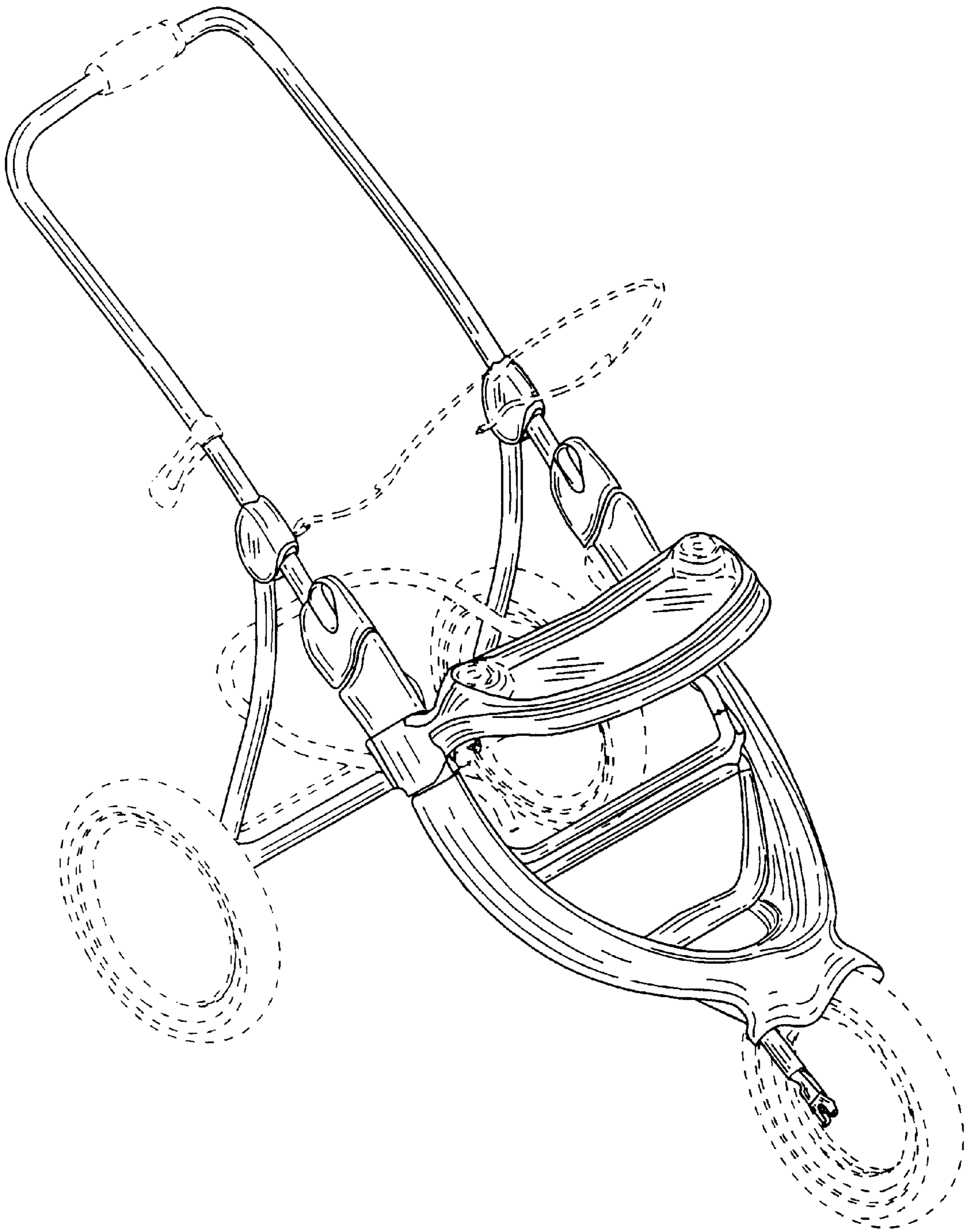


FIG. 7

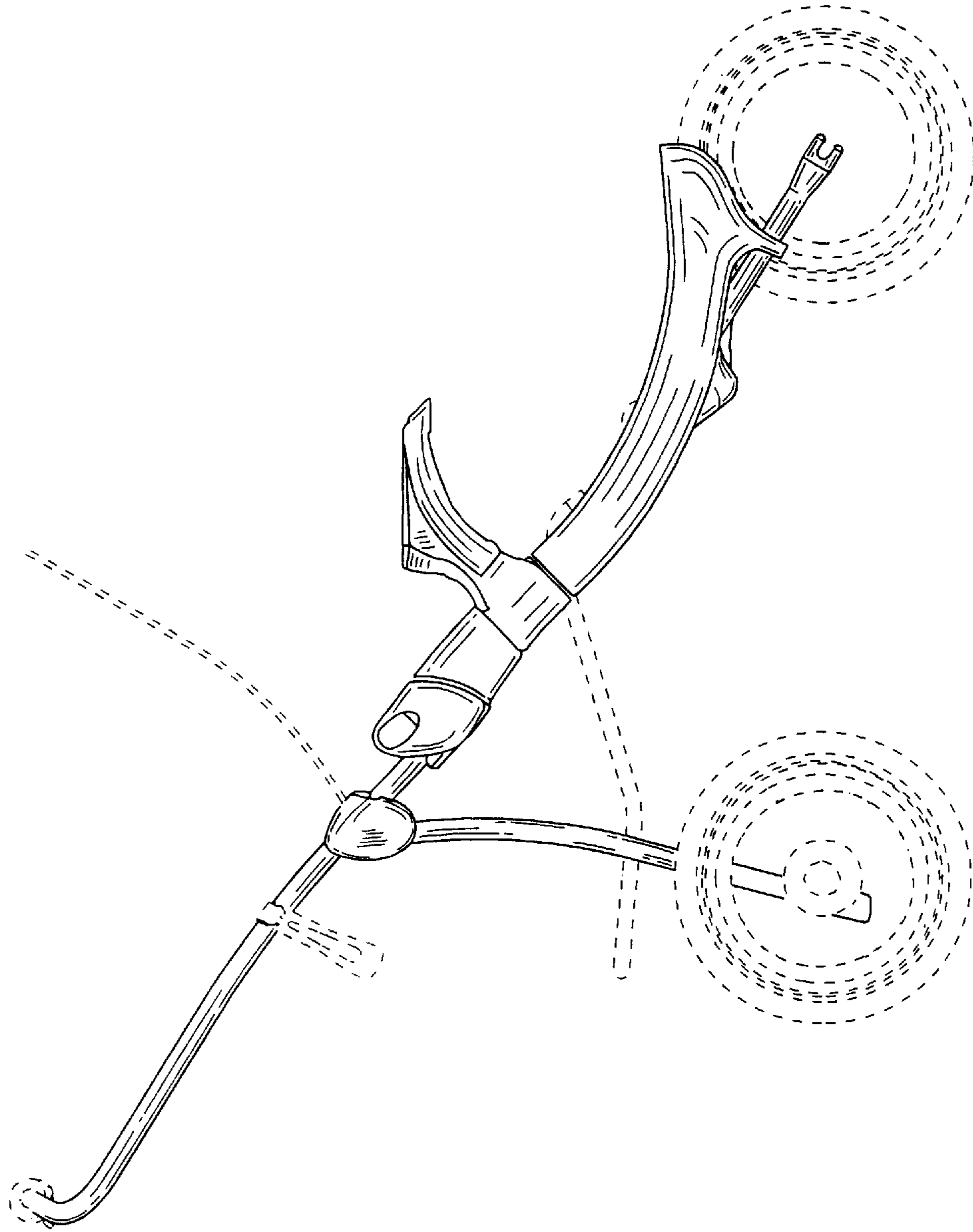


FIG. 8

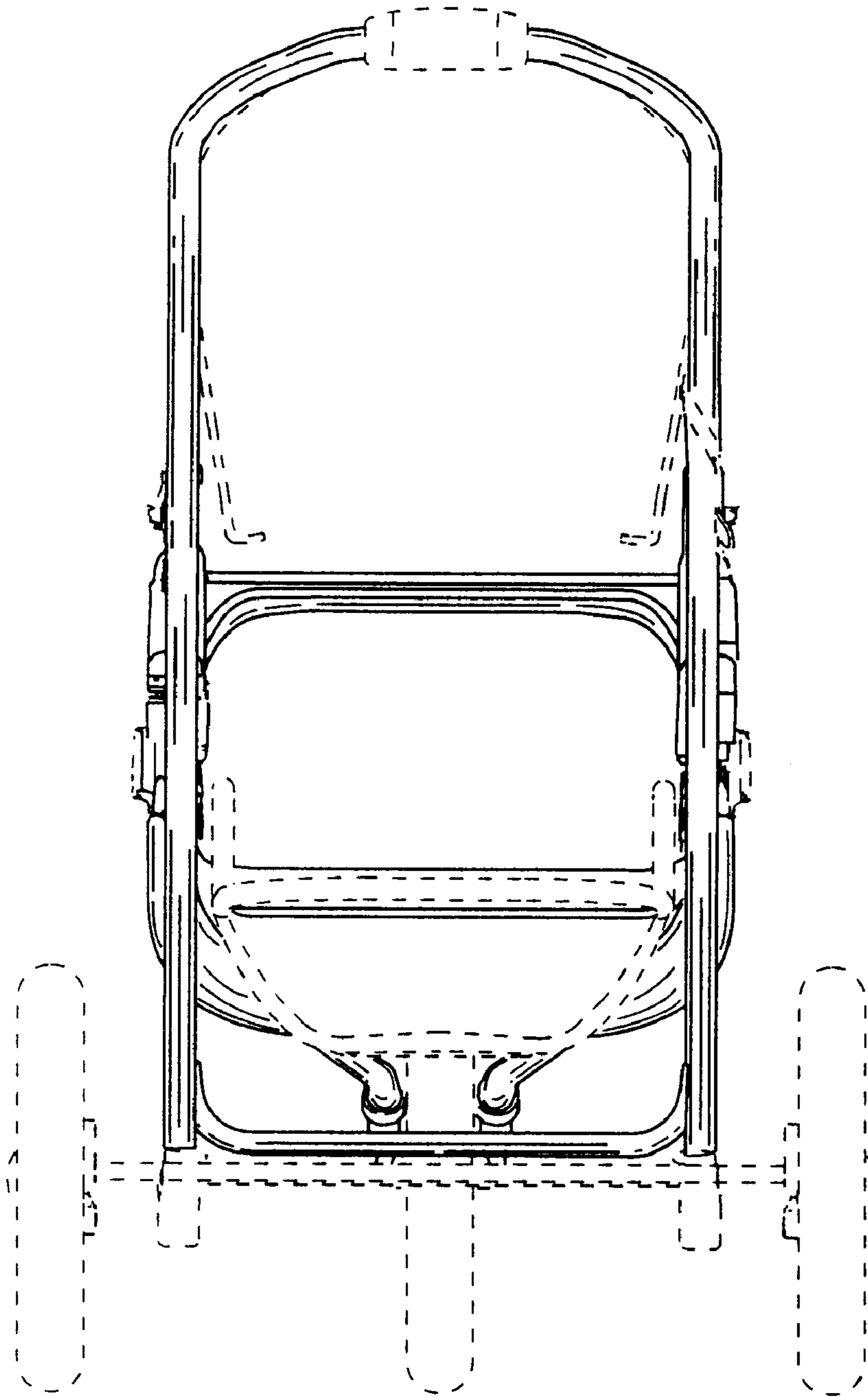


FIG. 9

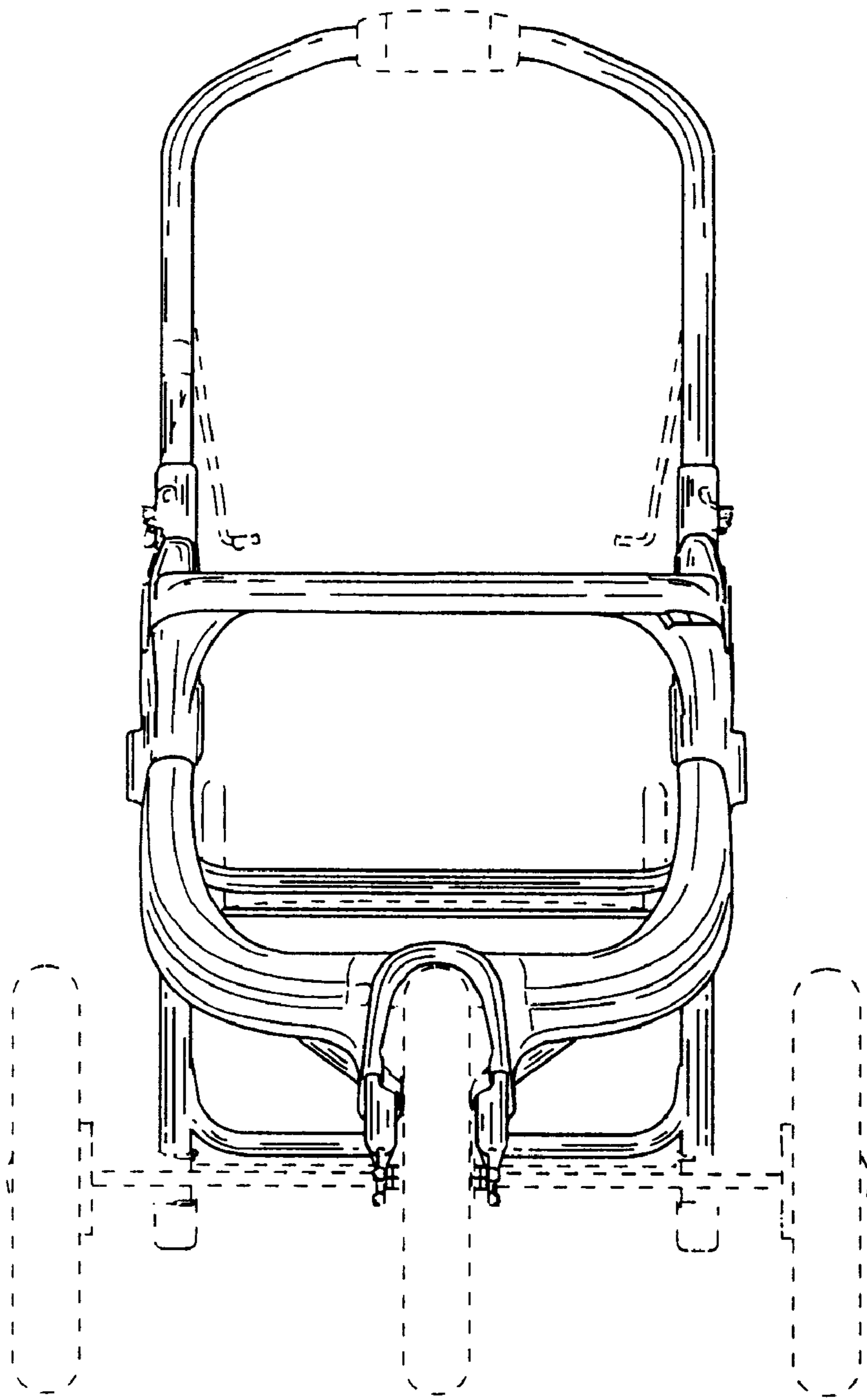


FIG. 10

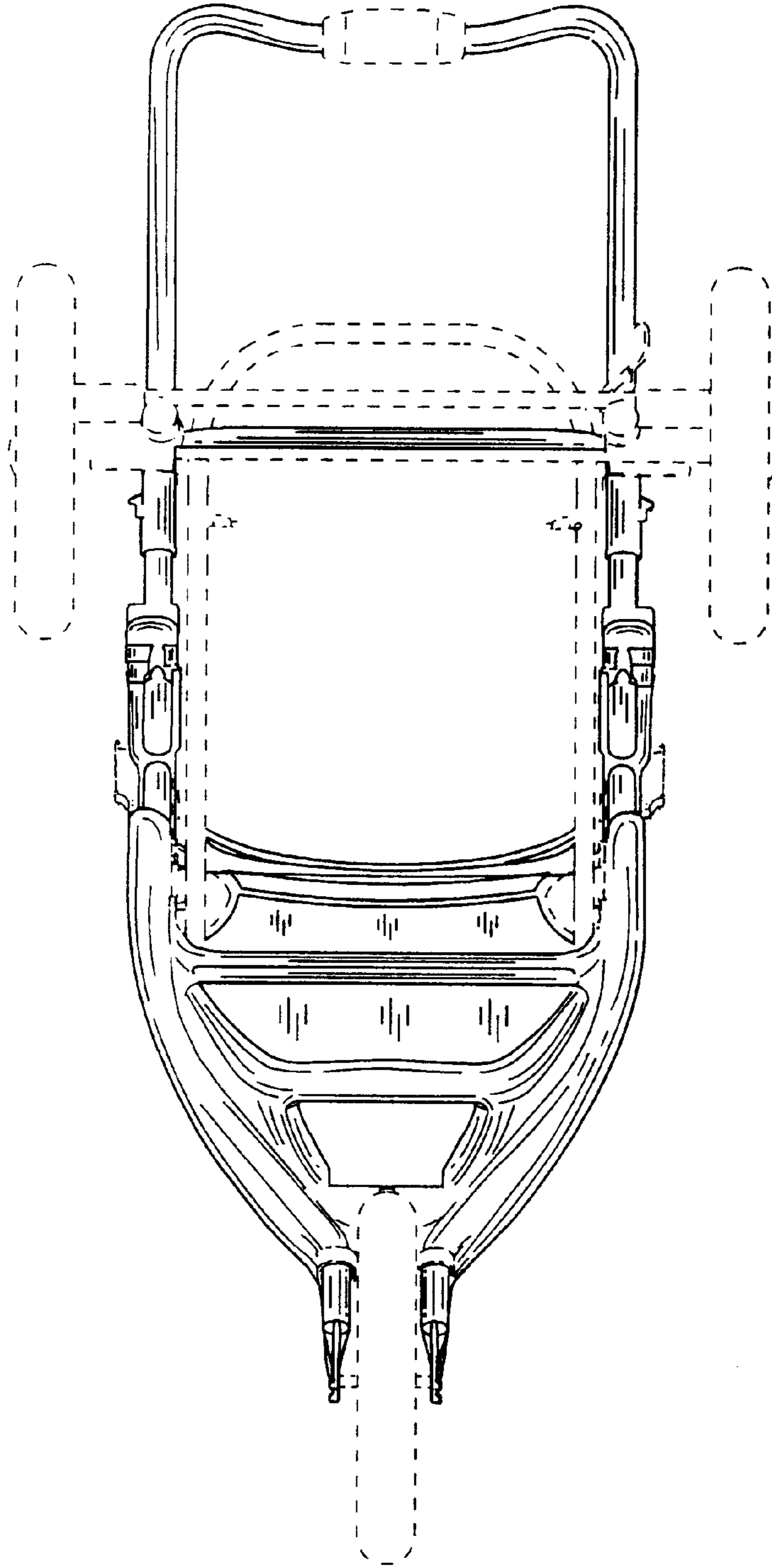


FIG. 11

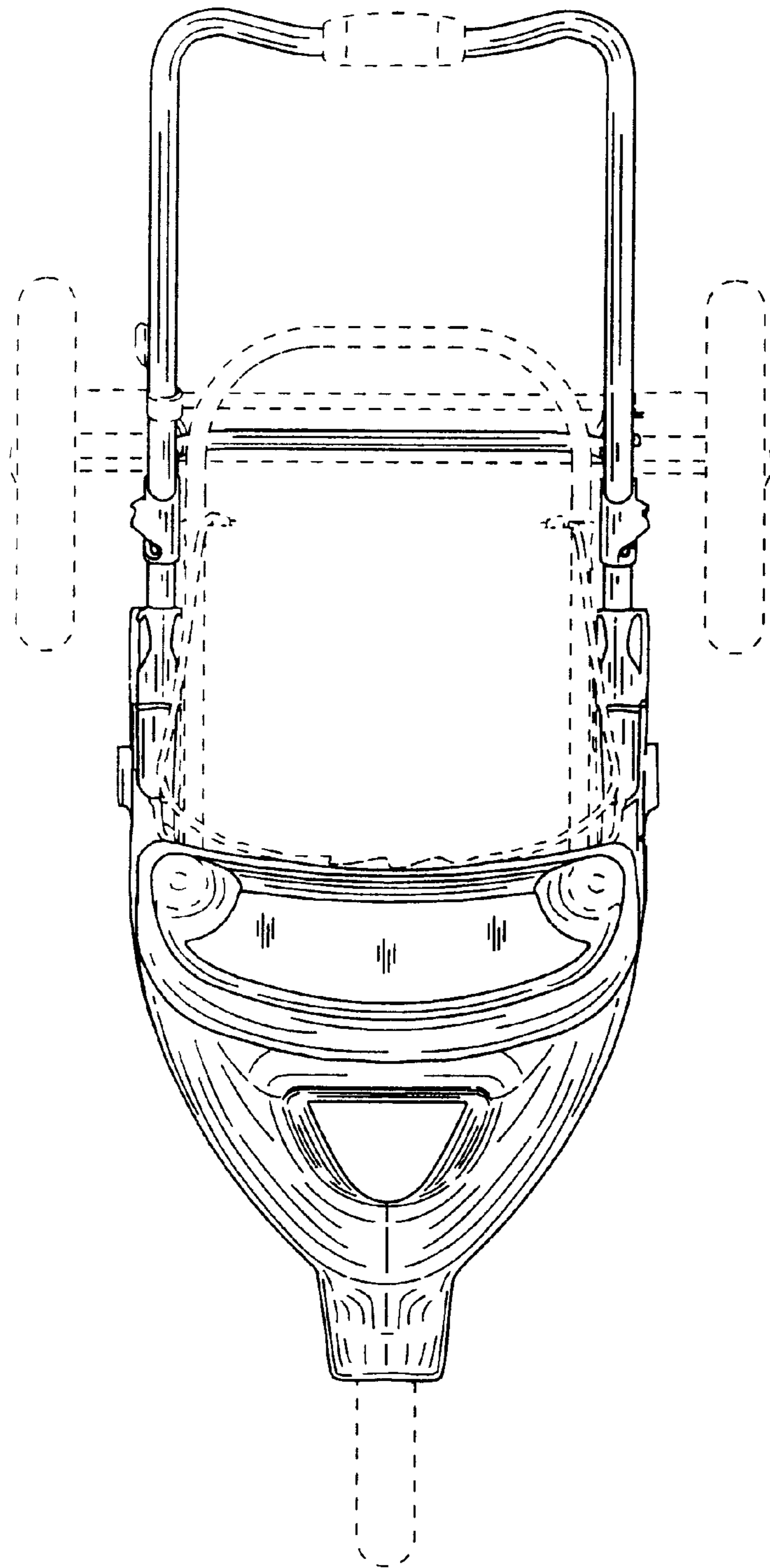


FIG. 12