



US00D453716S

(12) **United States Design Patent**
Iteya et al.

(10) **Patent No.:** **US D453,716 S**

(45) **Date of Patent:** **** Feb. 19, 2002**

(54) **BICYCLE DISPLAY DEVICE**

(75) Inventors: **Yoshihide Iteya; Shigekatsu Okada,**
both of Osaka (JP)

(73) Assignee: **Shimano Inc.,** Osaka (JP)

(**) Term: **14 Years**

(21) Appl. No.: **29/138,200**

(22) Filed: **Mar. 9, 2001**

(51) **LOC (7) Cl.** **12-11**

(52) **U.S. Cl.** **D12/114**

(58) **Field of Search** D12/111, 114,
D12/178, 407; 280/288.4; 224/412, 420,
448; 74/488, 473.13, 551.8

(56) **References Cited**

U.S. PATENT DOCUMENTS

D273,775 S * 5/1984 Aker et al. D12/114

D345,534 S * 3/1994 Abboud et al. D12/114

D443,562 S * 6/2001 Okada D12/114

* cited by examiner

Primary Examiner—Alan P. Douglas

Assistant Examiner—Linda Brooks

(74) *Attorney, Agent, or Firm*—Shinju Global IP
Counselors, LLP

(57) **CLAIM**

The ornamental design for a bicycle display device, as shown and described.

DESCRIPTION

FIG. 1 is a front perspective view of a bicycle display device having five display components adjustably attached to a mounting assembly (a pair of lateral bar, a pair of ball joints and a pair of mounting brackets) in accordance with our new design;

FIG. 2 is a front elevational view of the bicycle display device illustrated in FIG. 1;

FIG. 3 is a rear elevational view of the bicycle display device illustrated in FIGS. 1 and 2;

FIG. 4 is a left side elevational view of the bicycle display device illustrated in FIGS. 1-3;

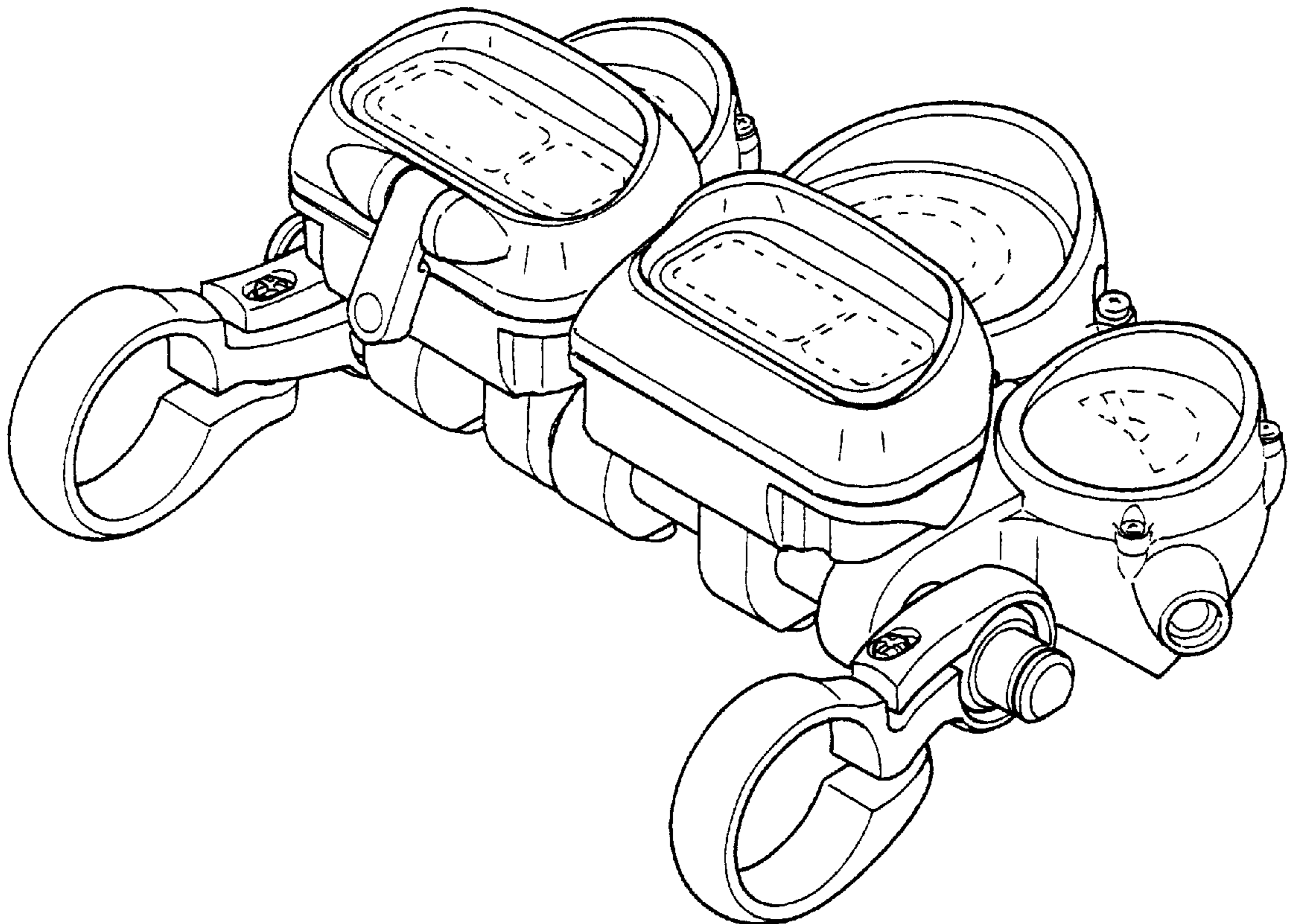
FIG. 5 is a right side elevational view of the bicycle display device illustrated in FIGS. 1-4;

FIG. 6 is a top plan view of the bicycle display device illustrated in FIGS. 1-5; and,

FIG. 7 is a bottom plan view of the bicycle device illustrated in FIGS. 1-6.

The broken line showing of environment in FIGS. 1 and 2 is for illustrative purposes only and forms no part of the claimed design.

1 Claim, 6 Drawing Sheets



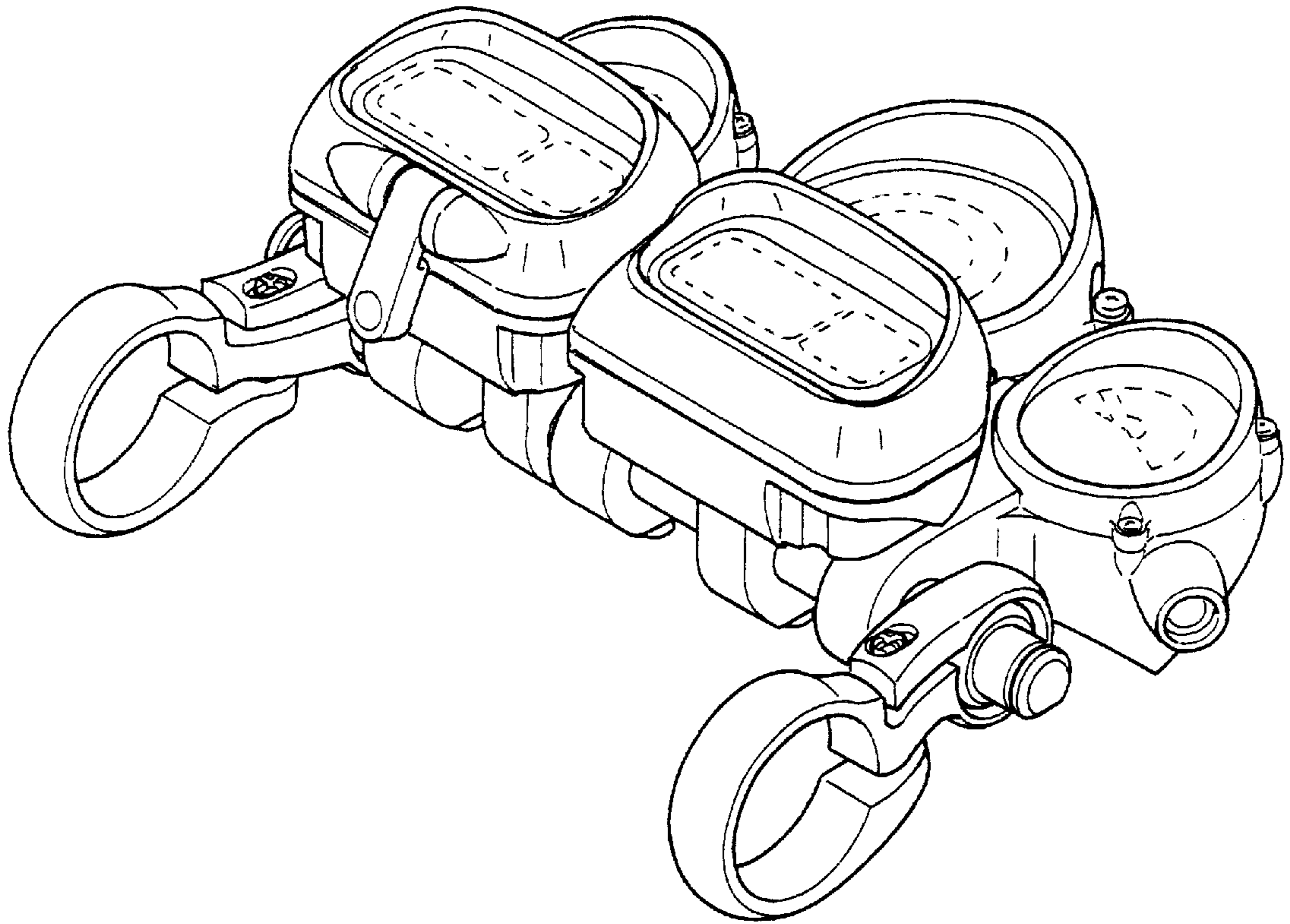


Fig. 1

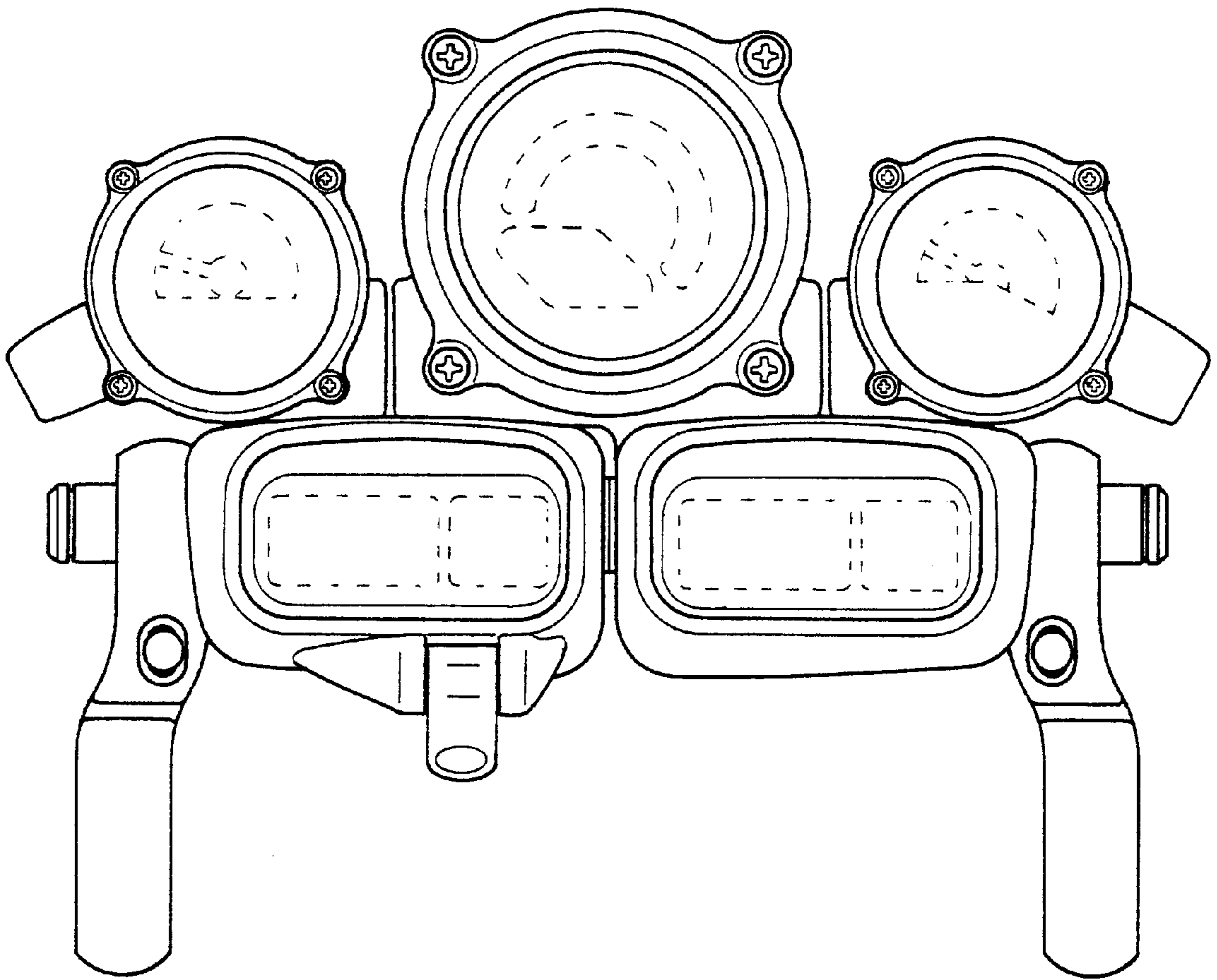


Fig. 2

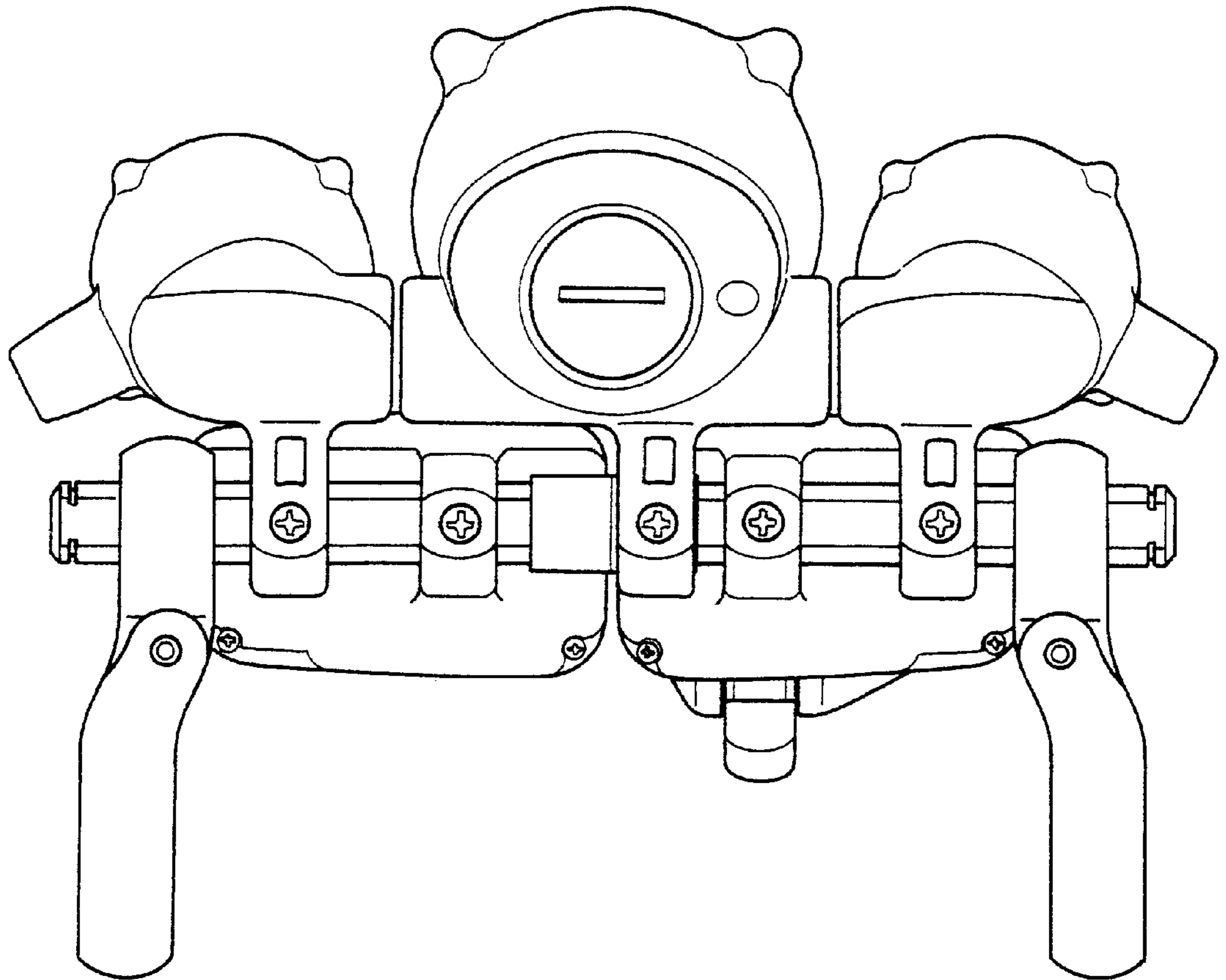


Fig. 3

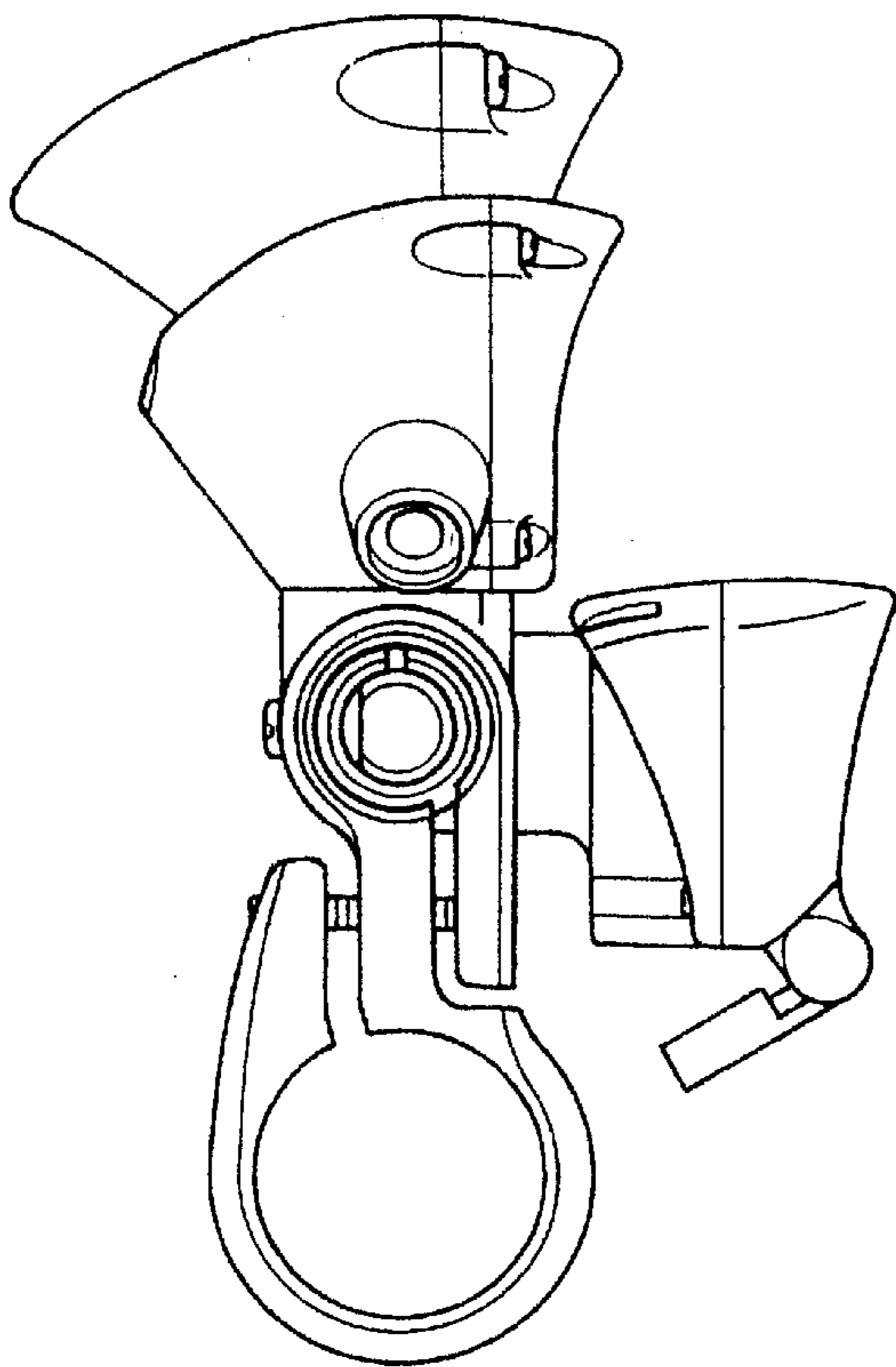


Fig. 4

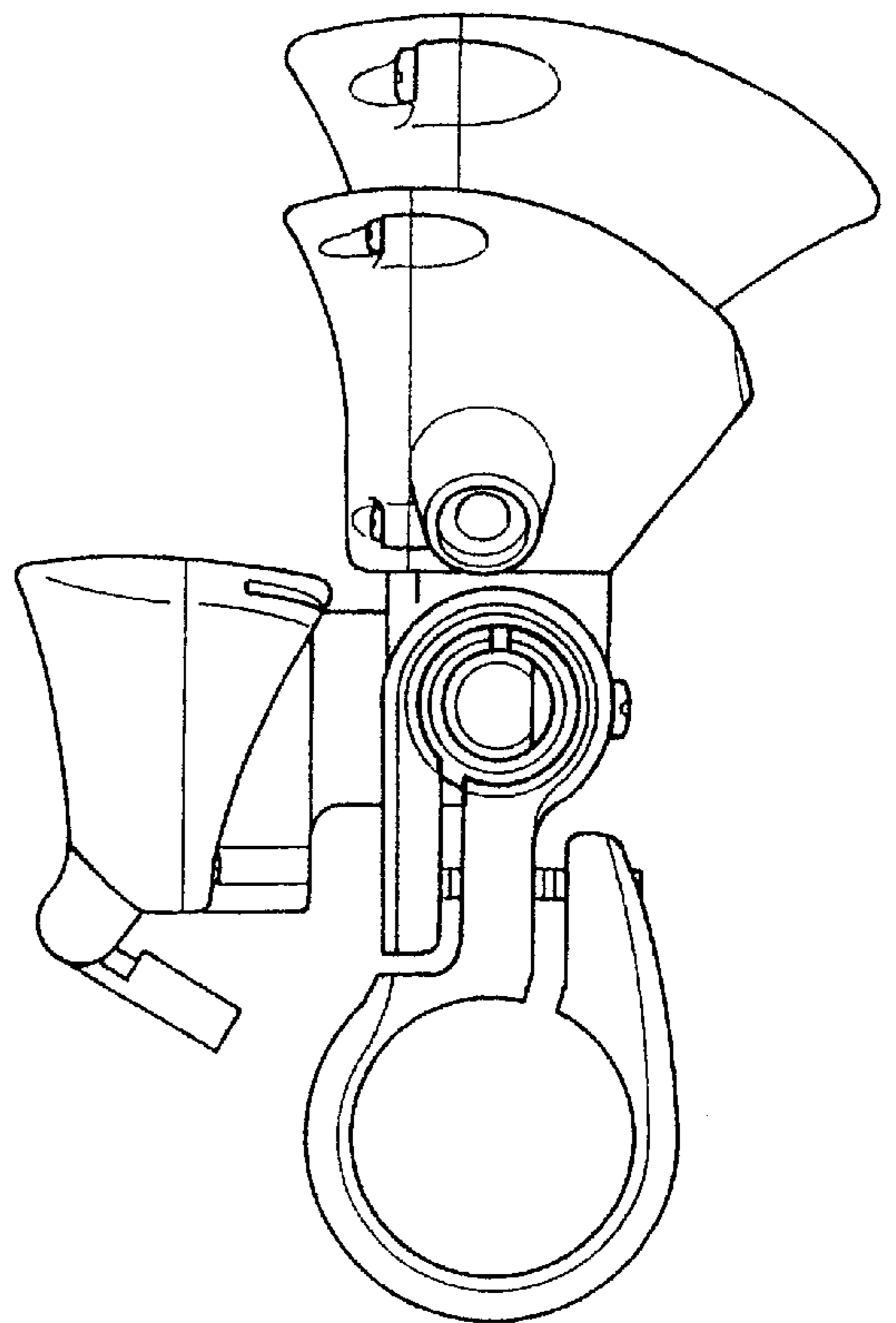


Fig. 5

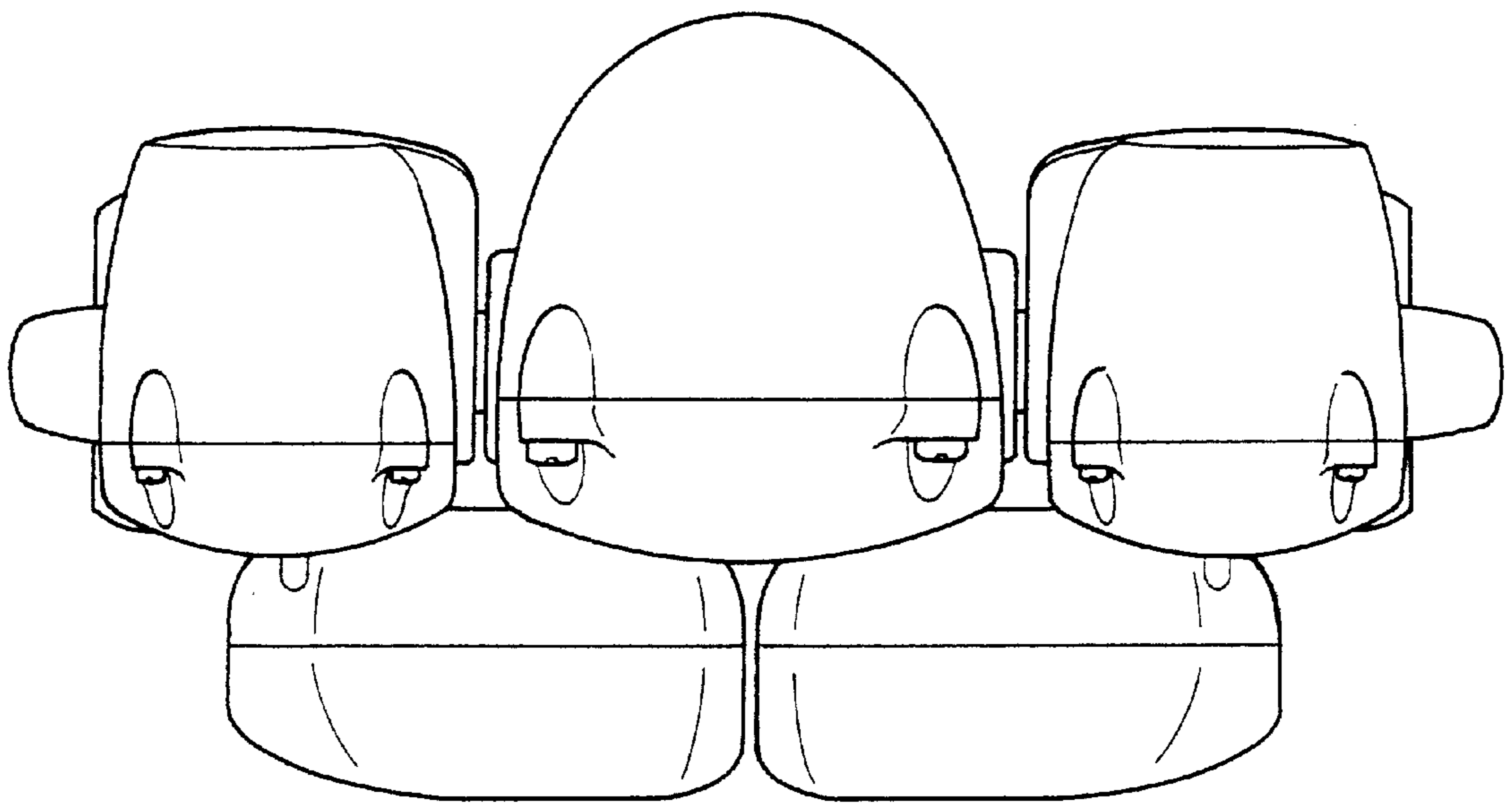


Fig. 6

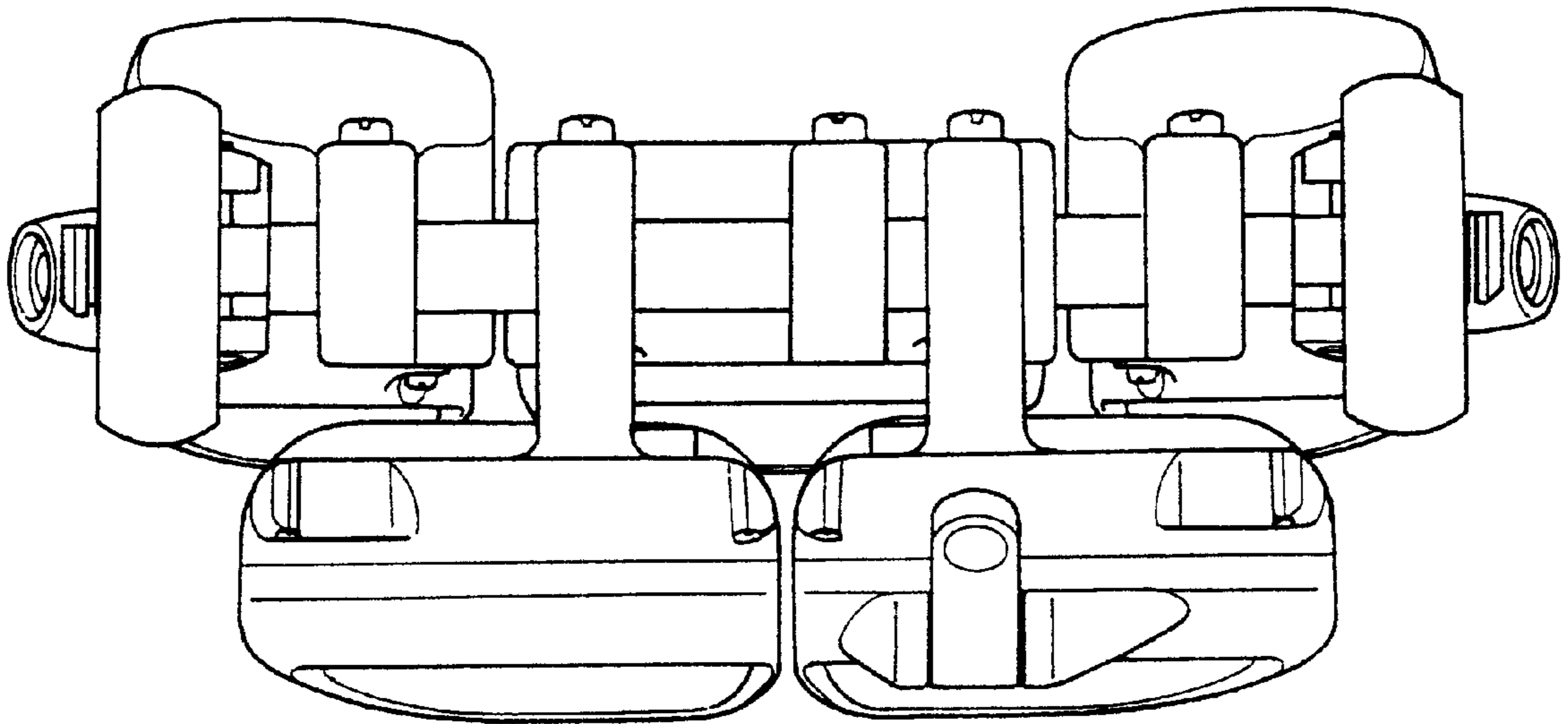


Fig. 7