



US00D453713S

(12) **United States Design Patent**
McMahan et al.

(10) **Patent No.:** **US D453,713 S**

(45) **Date of Patent:** **** Feb. 19, 2002**

(54) **AUTOMOBILE BODY**

(76) Inventors: **Robert B. McMahan**, 2336 Park Ridge La., Bloomfield Hills, MI (US) 48304; **Kevin R. Verduyn**, 2645 Vancouver, Carlsbad, CA (US) 92008; **Thomas G. Tremont**, 4337 Valle Vista, San Diego, CA (US) 92103; **Freeman J. Thomas**, 1808 Cragin Dr., Bloomfield, MI (US) 48302

(**) Term: **14 Years**

(21) Appl. No.: **29/134,439**

(22) Filed: **Dec. 20, 2000**

(51) **LOC (7) Cl.** **12-08**

(52) **U.S. Cl.** **D12/91**

(58) **Field of Search** D12/90-92, 86; 296/185

(56) **References Cited**

U.S. PATENT DOCUMENTS

D405,392 S 2/1999 Allen D12/98
D408,329 S 4/1999 Anness et al. D12/92
D414,445 S * 9/1999 Dehner et al. D12/92

D418,086 S 12/1999 Starr et al. D12/91
D419,491 S 1/2000 Allen D12/98
D430,068 S 8/2000 Castiglione et al. D12/98
D430,820 S 9/2000 Chergosky et al. D12/91
D440,185 S * 4/2001 Desmond et al. D12/91
D430,064 S * 8/2001 Verduyn et al. D12/92

* cited by examiner

Primary Examiner—Melody N. Brown
(74) *Attorney, Agent, or Firm*—Mark P. Calcaterra

(57) **CLAIM**

The ornamental design for an automobile body, as shown and described.

DESCRIPTION

FIG. 1 is a front perspective view of an automobile body showing our new design.

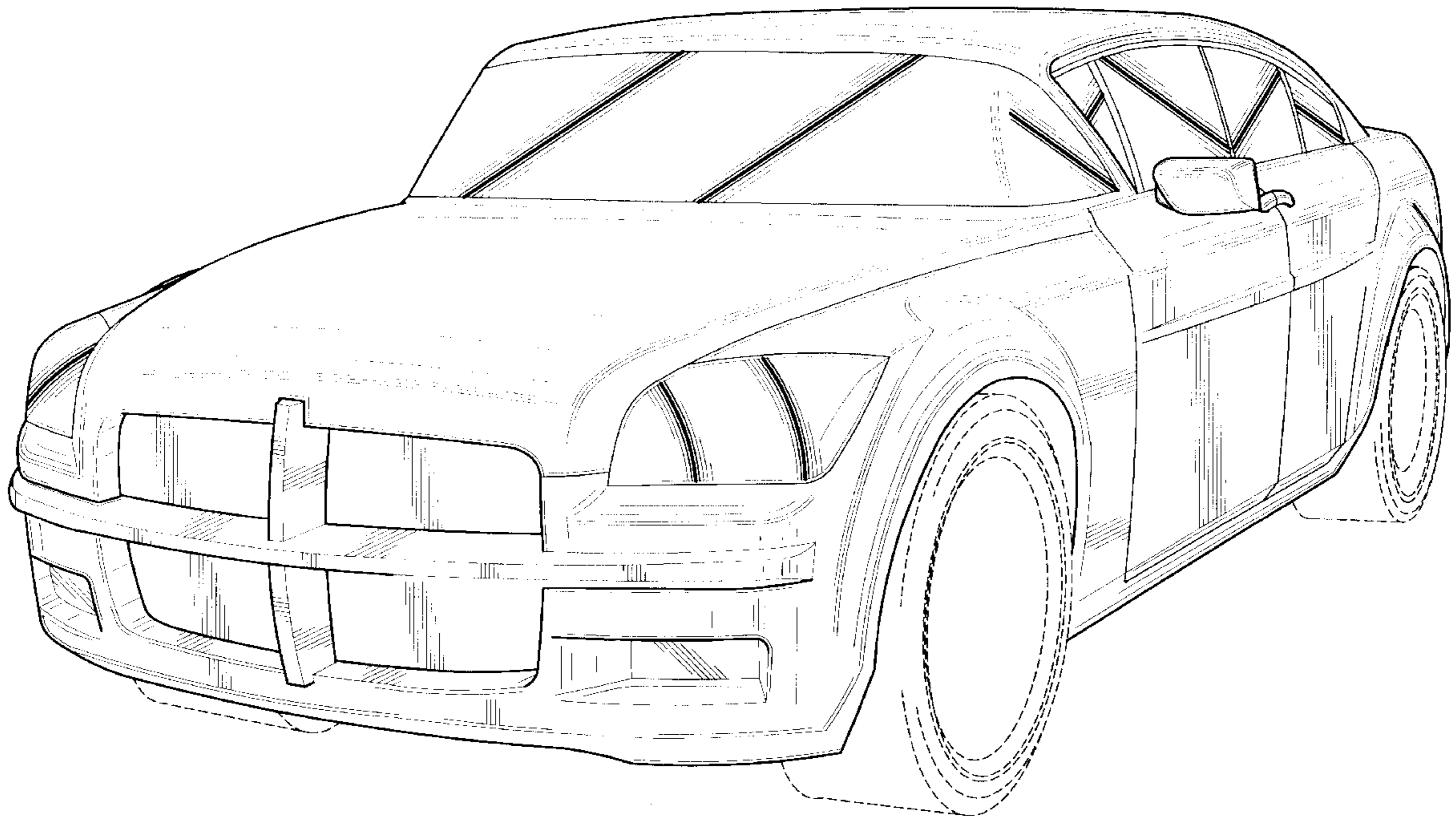
FIG. 2 is a rear perspective view thereof.

FIG. 3 is a front view thereof; and,

FIG. 4 is a fragmentary rear view thereof.

It will be understood that the top is plain and unornamental and further that the broken line shown throughout the drawings is for illustration only, forming no part of the claimed design.

1 Claim, 3 Drawing Sheets



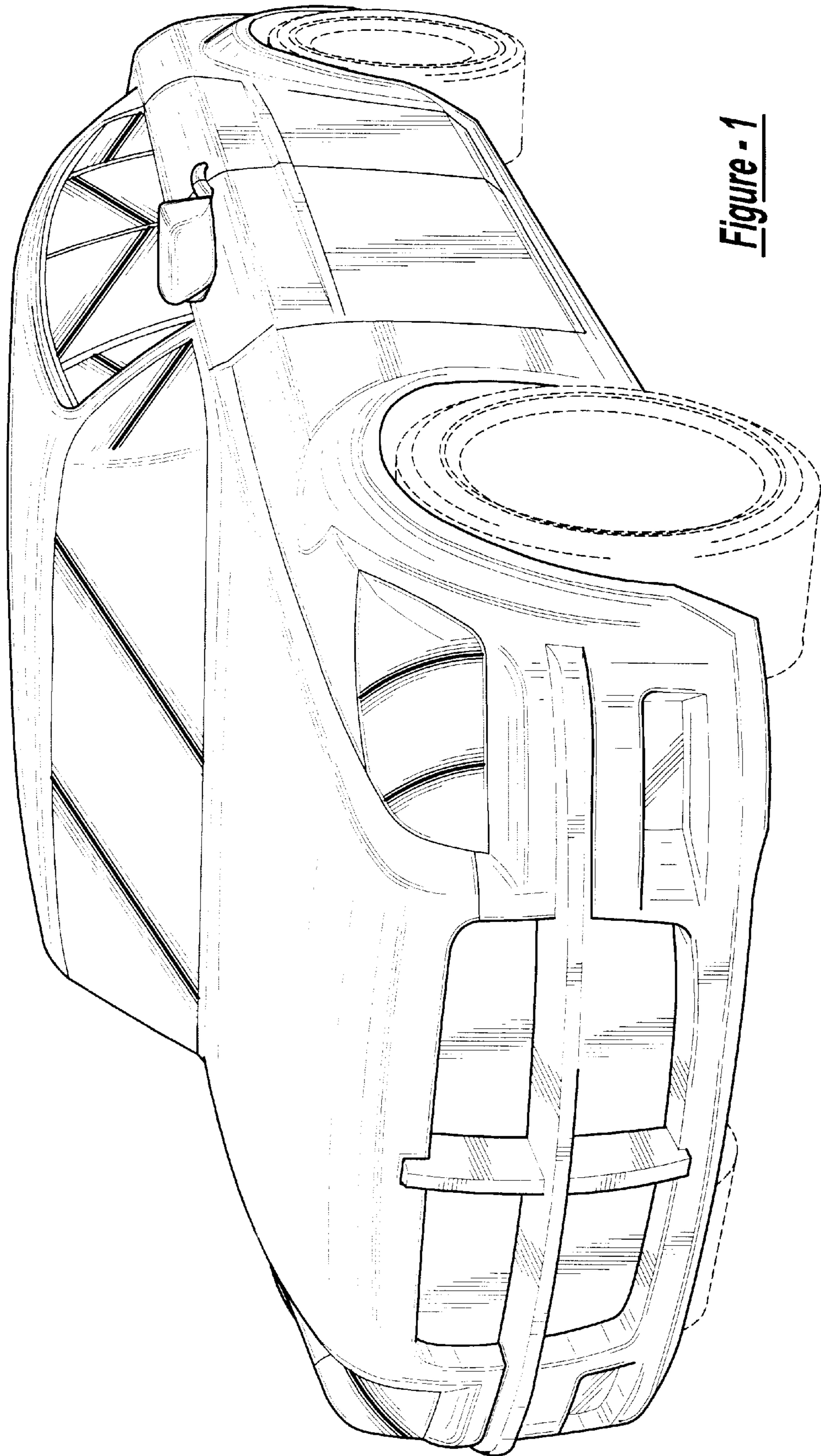


Figure - 1

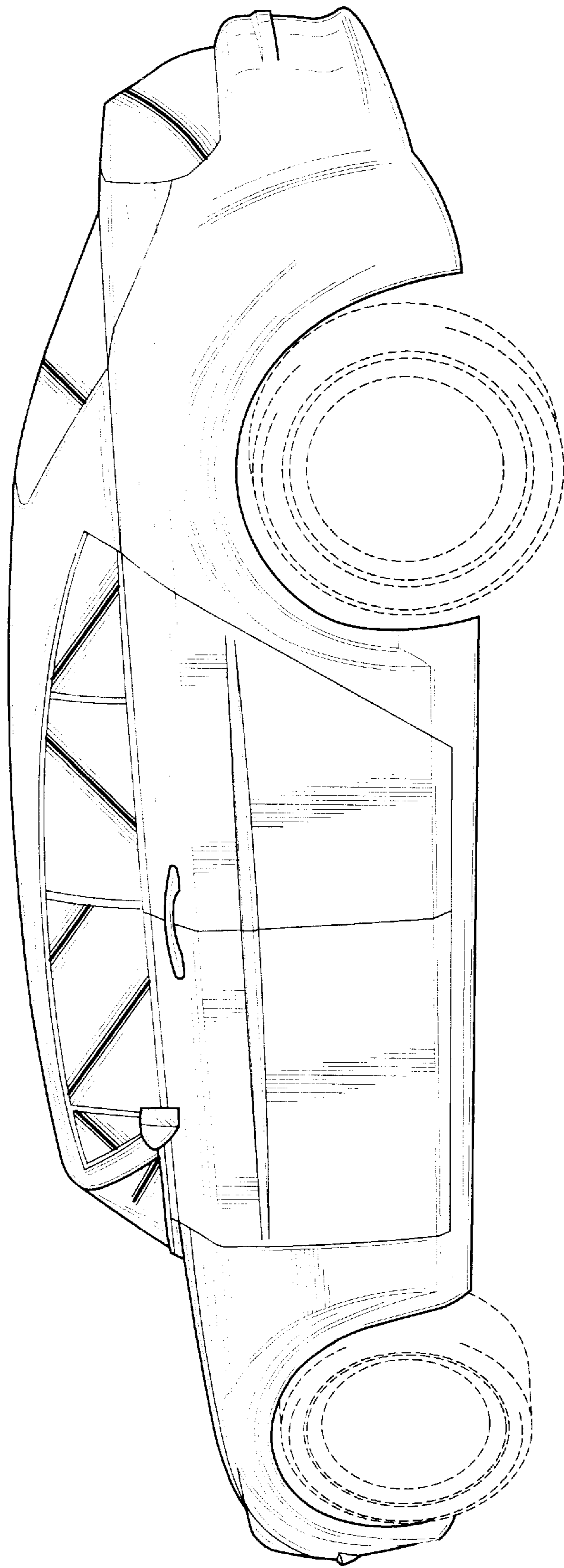


Figure - 2

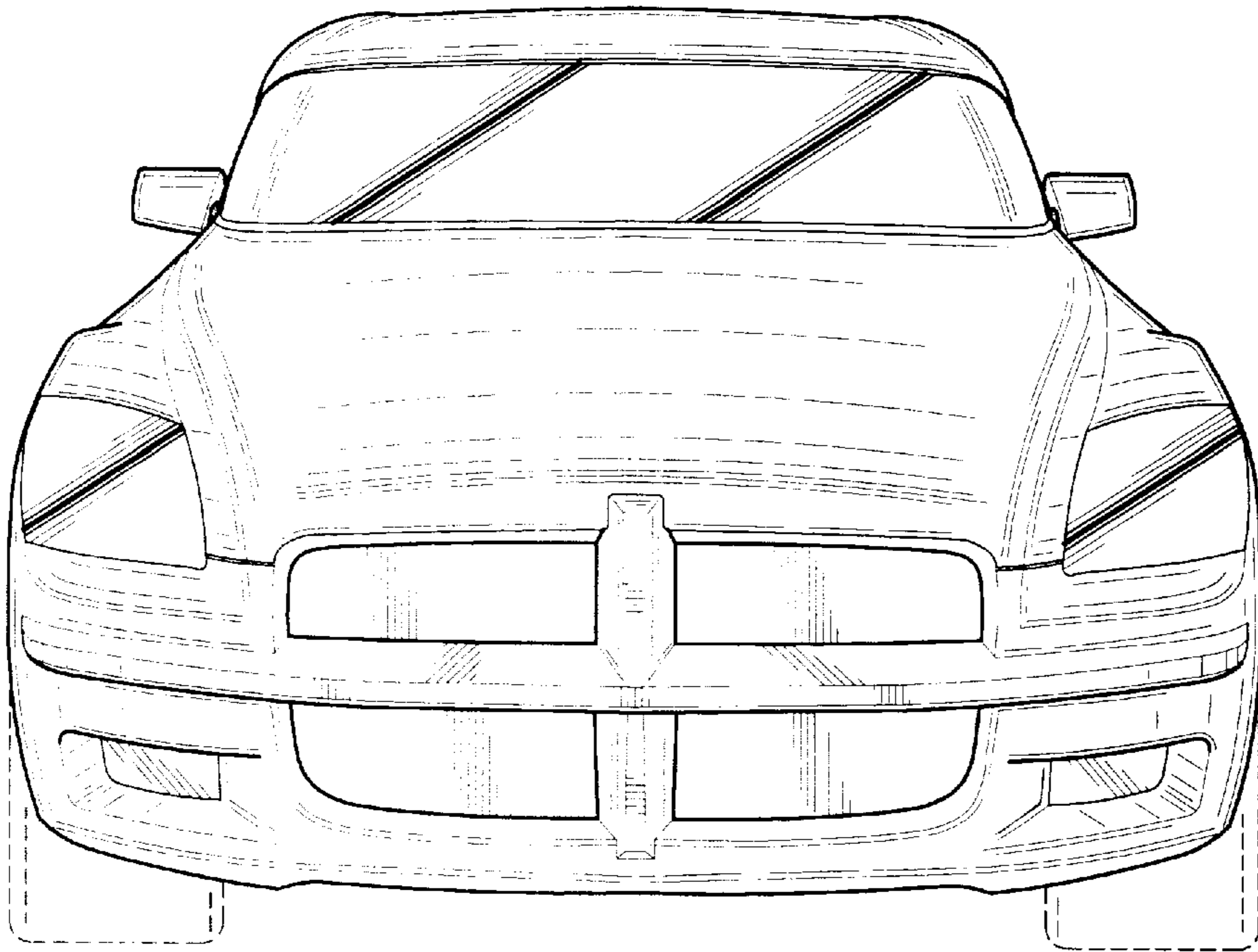


Figure - 3

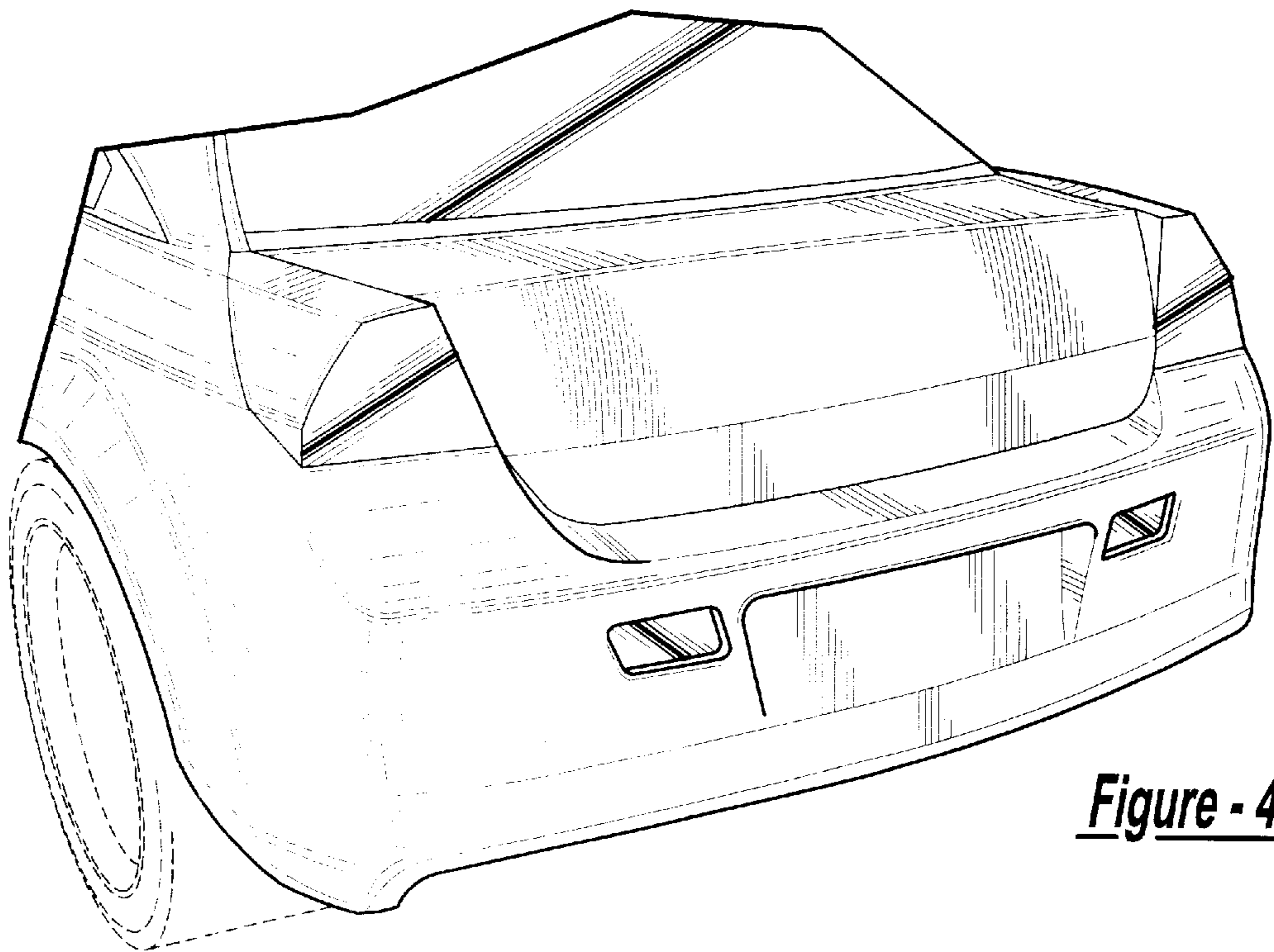


Figure - 4