



US00D453701S

(12) **United States Design Patent**  
**Watson et al.**

(10) **Patent No.:** **US D453,701 S**

(45) **Date of Patent:** **\*\* Feb. 19, 2002**

(54) **PORTABLE TRAFFIC SAFETY LIGHT**

D430,901 S \* 9/2000 Palmer ..... D20/10  
D436,881 S \* 1/2001 Sloven ..... D10/115

(76) Inventors: **Richard E. Watson**, 1408 Calle Durazno, Thousand Oaks, CA (US) 91360; **Michael R. Finken**, 12230 Buckle La., Redding, CA (US) 96003; **Abe K. Gamble, Jr.**, 1034 Calle Margarita, Thousand Oaks, CA (US) 91360

\* cited by examiner

*Primary Examiner*—Marcus A. Jackson  
(74) *Attorney, Agent, or Firm*—Allan M. Shapiro

(\*\*) Term: **14 Years**

(57) **CLAIM**

The ornamental design for a portable traffic safety light, as shown and described.

(21) Appl. No.: **29/142,829**

**DESCRIPTION**

(22) Filed: **Jun. 4, 2001**

(51) **LOC (7) Cl.** ..... **10-05**

(52) **U.S. Cl.** ..... **D10/115**

(58) **Field of Search** ..... D10/109, 111,  
D10/114, 115, 121; 116/63 C, 63 P, 63 R;  
340/81, 84, 87, 331, 906, 908

FIG. 1 is a perspective view from the front, top and left end of a portable traffic safety light, showing our new design; a perspective view from rear, top and right end thereof is the same;

FIG. 2 is a front or rear elevational view thereof;

FIG. 3 is a top plan view thereof;

FIG. 4 is a bottom plan view thereof; and,

FIG. 5 is an elevational view of the right or left end thereof.

(56) **References Cited**

**U.S. PATENT DOCUMENTS**

D361,952 S \* 9/1995 Stockman ..... D10/115

**1 Claim, 1 Drawing Sheet**

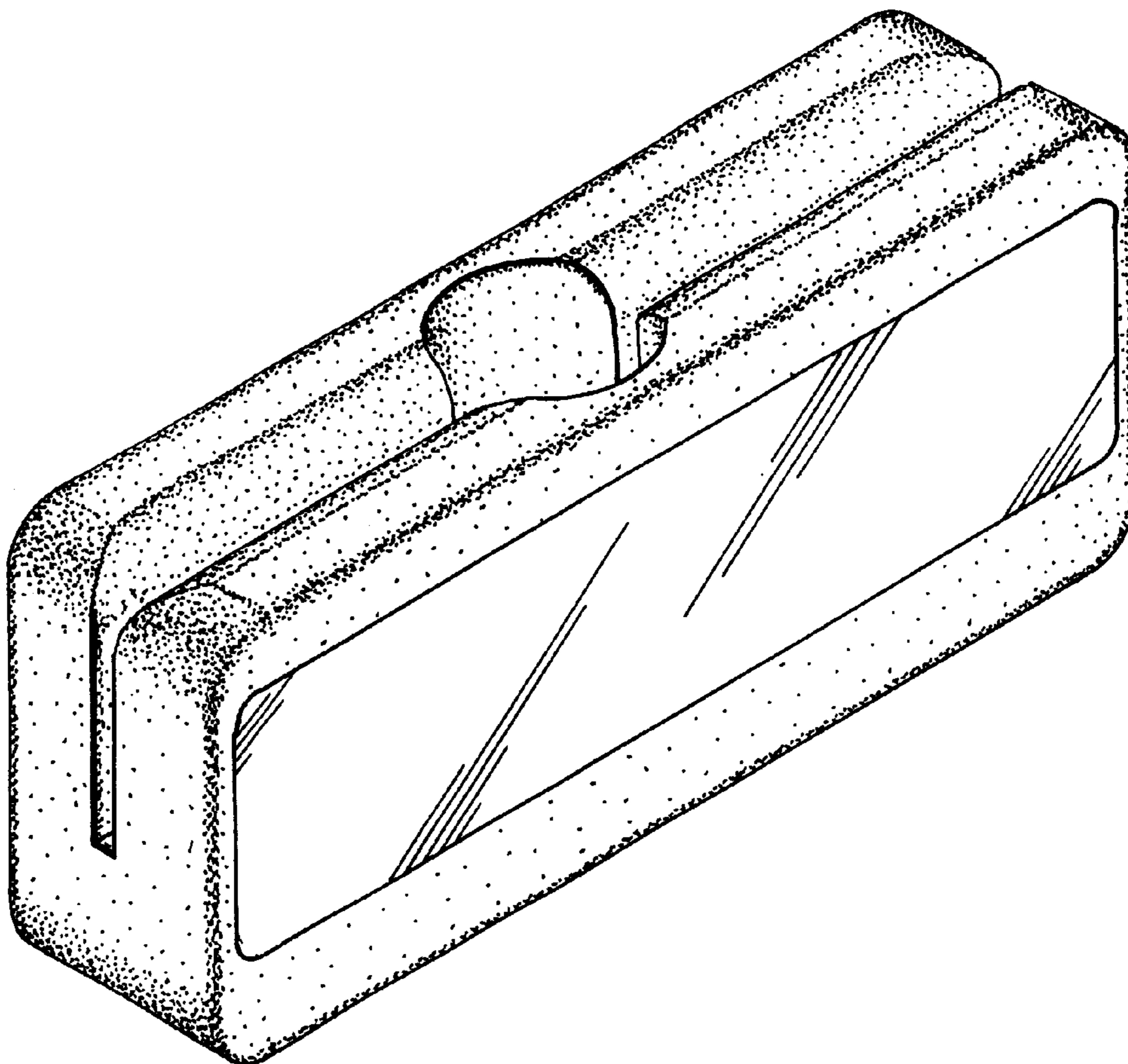


FIG. 1

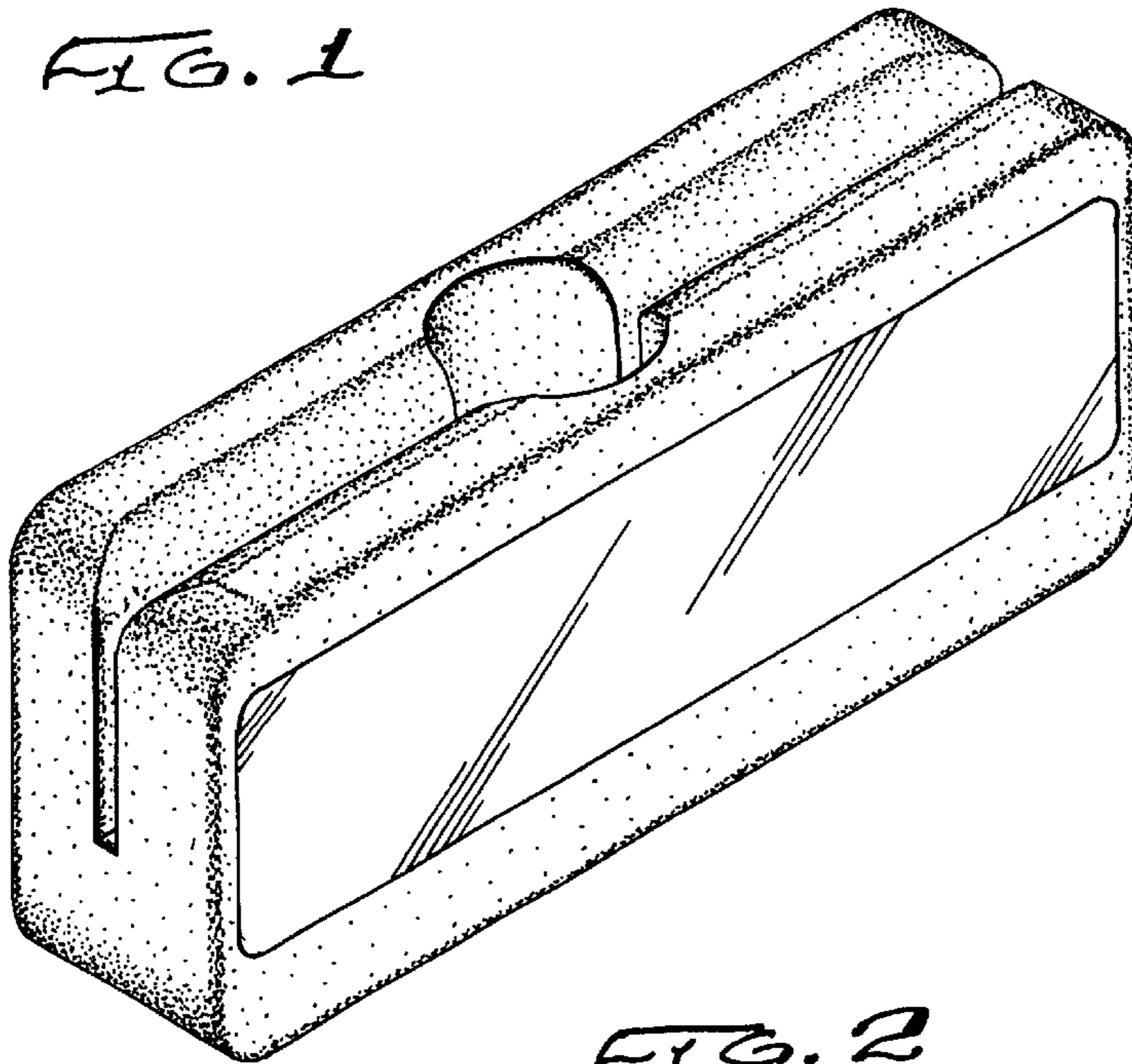


FIG. 5

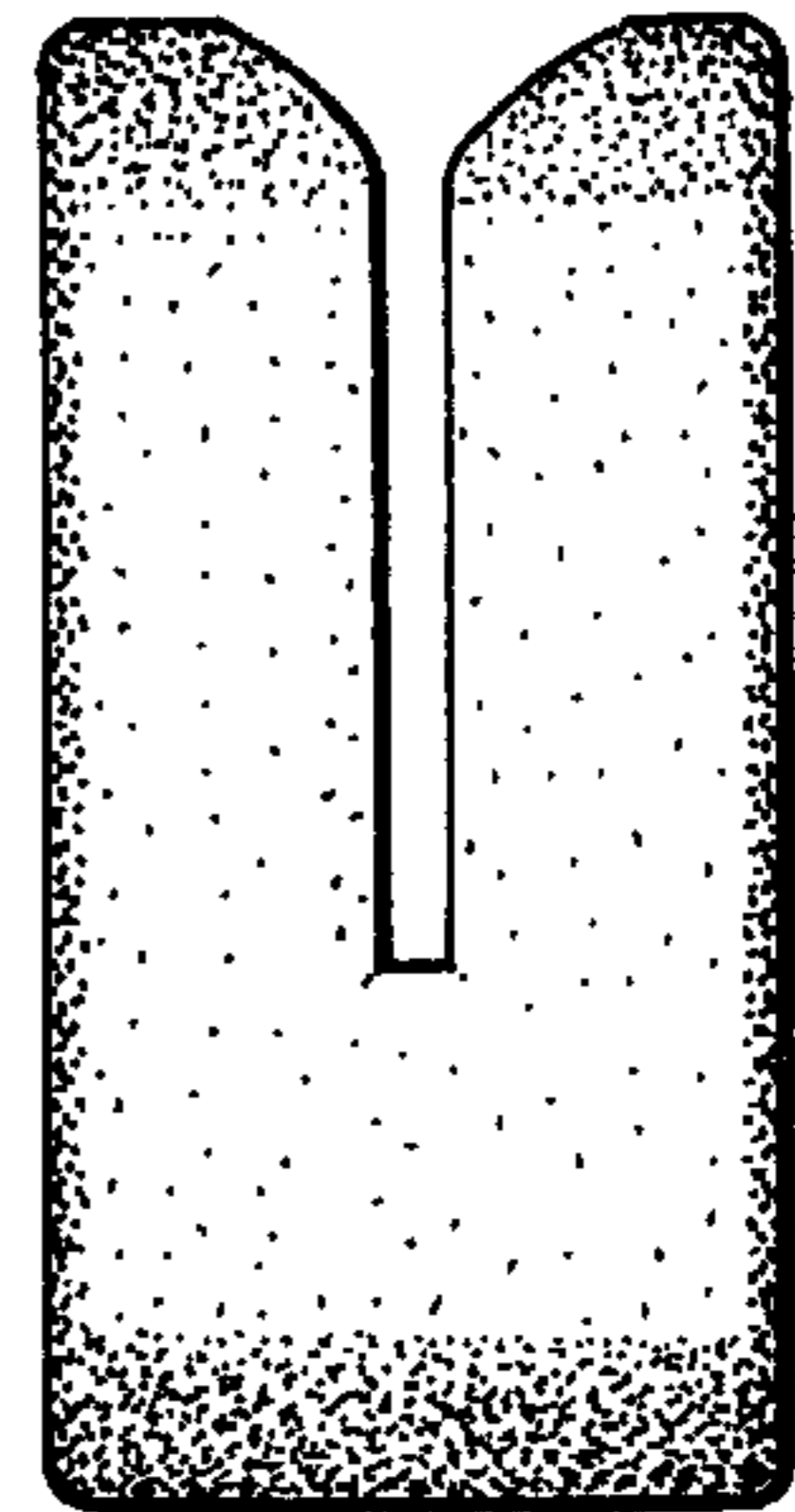


FIG. 2

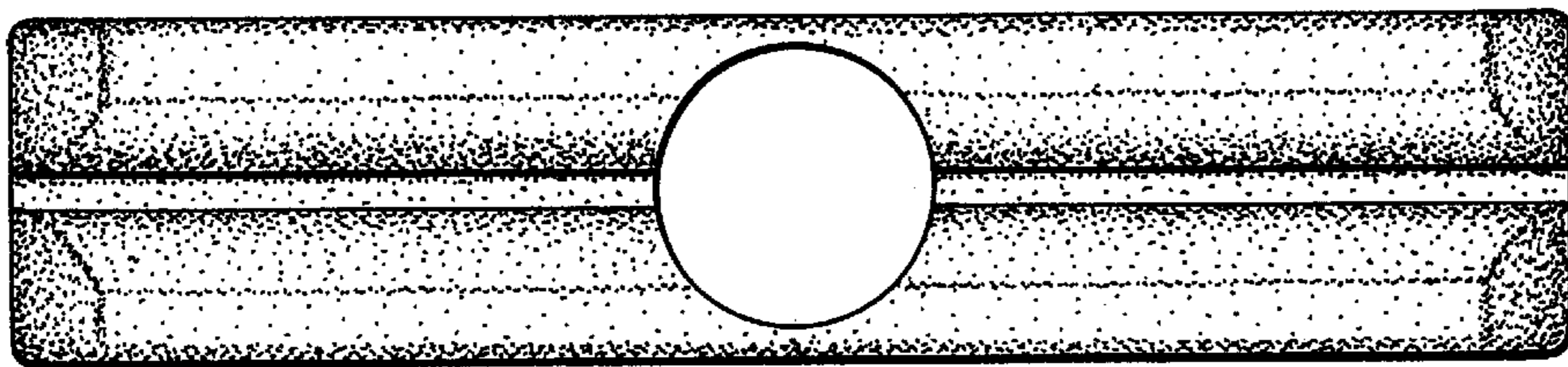
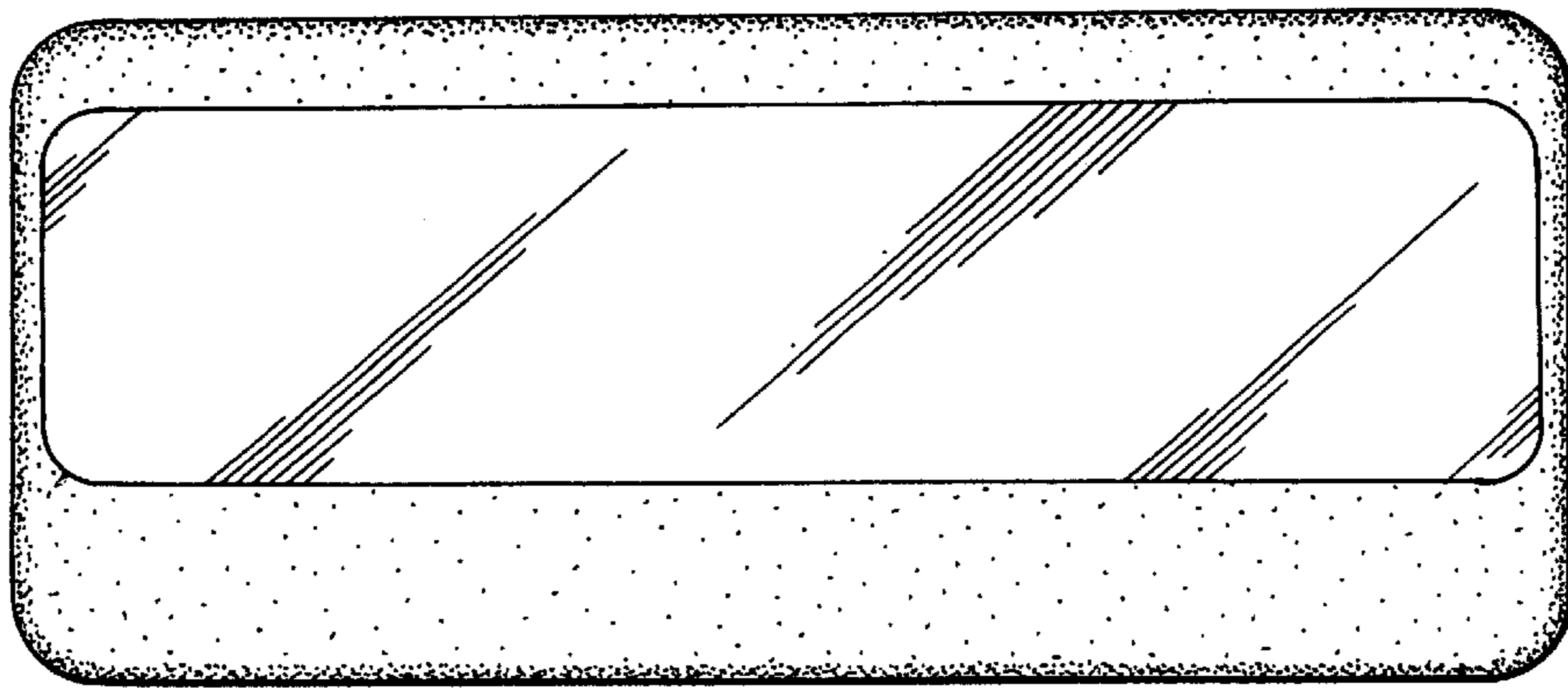


FIG. 3

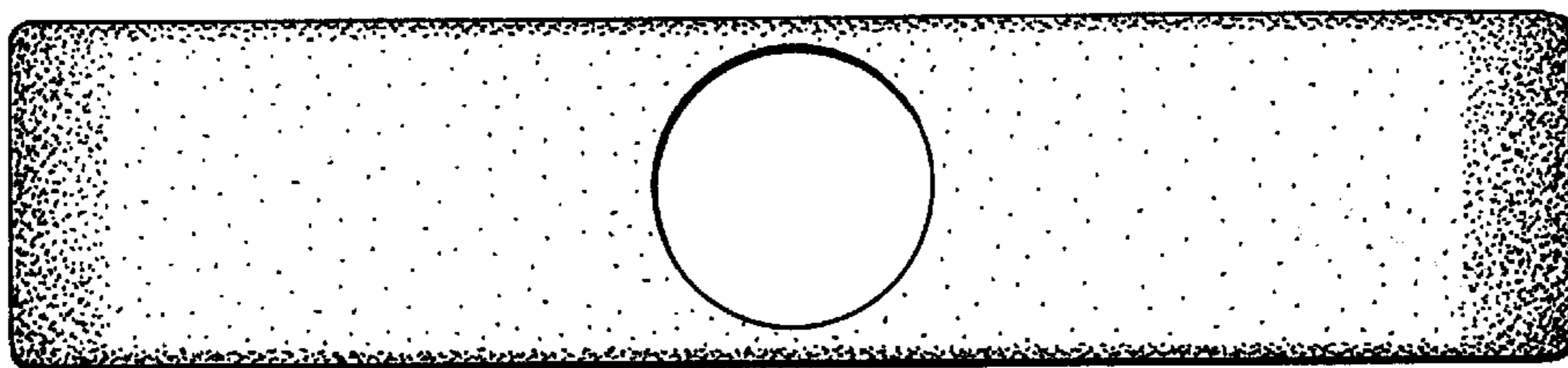


FIG. 4