



US00D453698S

(12) **United States Design Patent**  
**Marks**

(10) **Patent No.:** **US D453,698 S**

(45) **Date of Patent:** **\*\* Feb. 19, 2002**

(54) **CHILD TRACKING SYSTEM**

*Primary Examiner*—Marcus Jackson

(76) **Inventor:** **Paul Marks**, 4 Raleigh Dr., New City,  
NY (US) 10956

(57) **CLAIM**

(\*\*) **Term:** **14 Years**

The ornamental design for a child tracking system, as shown and described.

(21) **Appl. No.:** **29/143,519**

**DESCRIPTION**

(22) **Filed:** **Jun. 15, 2001**

(51) **LOC (7) Cl.** ..... **10-05**

FIG. 1 is a front elevational view of the child tracking system of the present invention;

(52) **U.S. Cl.** ..... **D10/104**

FIG. 2 is a rear elevational view of the child tracking system of FIG. 1;

(58) **Field of Search** ..... D10/104, 106,  
D10/116, 121; 340/345, 348, 349, 351,  
354, 570, 571, 572, 573; D14/155

FIG. 3 is a left side elevational view of the child tracking system of FIG. 1;

(56) **References Cited**

FIG. 4 is a right side elevational view of the child tracking system of FIG. 1;

**U.S. PATENT DOCUMENTS**

FIG. 5 is a top plan view of the child tracking system of FIG. 1; and,

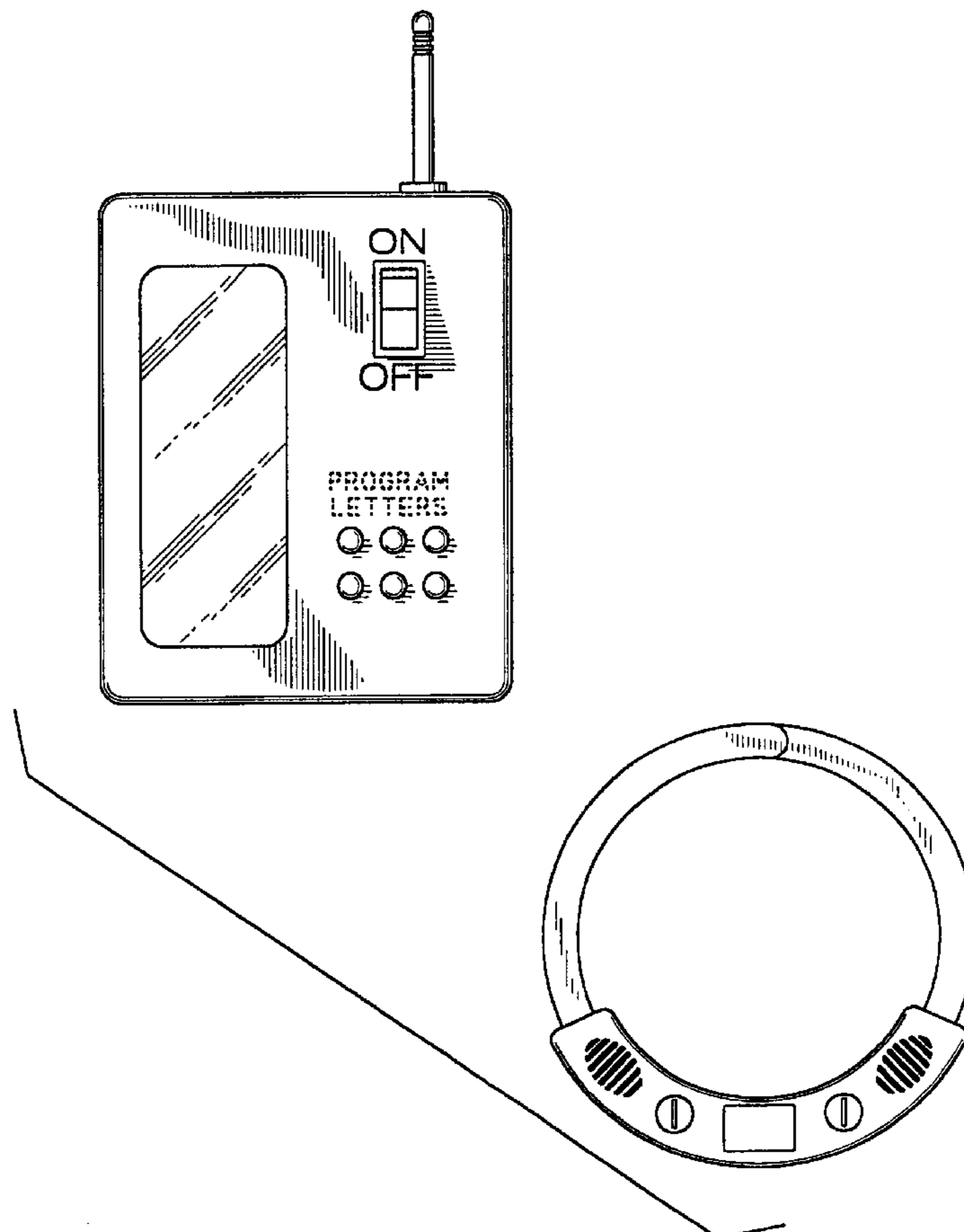
4,785,291	A	11/1988	Hawthorne	
D356,516	S	3/1995	Price	
5,525,967	A	6/1996	Azizi et al.	
5,652,569	A	7/1997	Gerstenberger et al.	
6,014,080	A	1/2000	Layson, Jr.	
6,031,460	A	2/2000	Banks	
D427,099	S	*	6/2000	Hunter ..... D10/104
D438,132	S	*	2/2001	Givings ..... D10/104
D445,051	S	*	7/2001	Oakes et al. .... D10/104

FIG. 6 is a bottom plan view of the child tracking system of FIG. 1.

The broken lines showing of letters in FIG. 1 are for illustrative purposes only and form no part of the claimed design.

\* cited by examiner

**1 Claim, 4 Drawing Sheets**



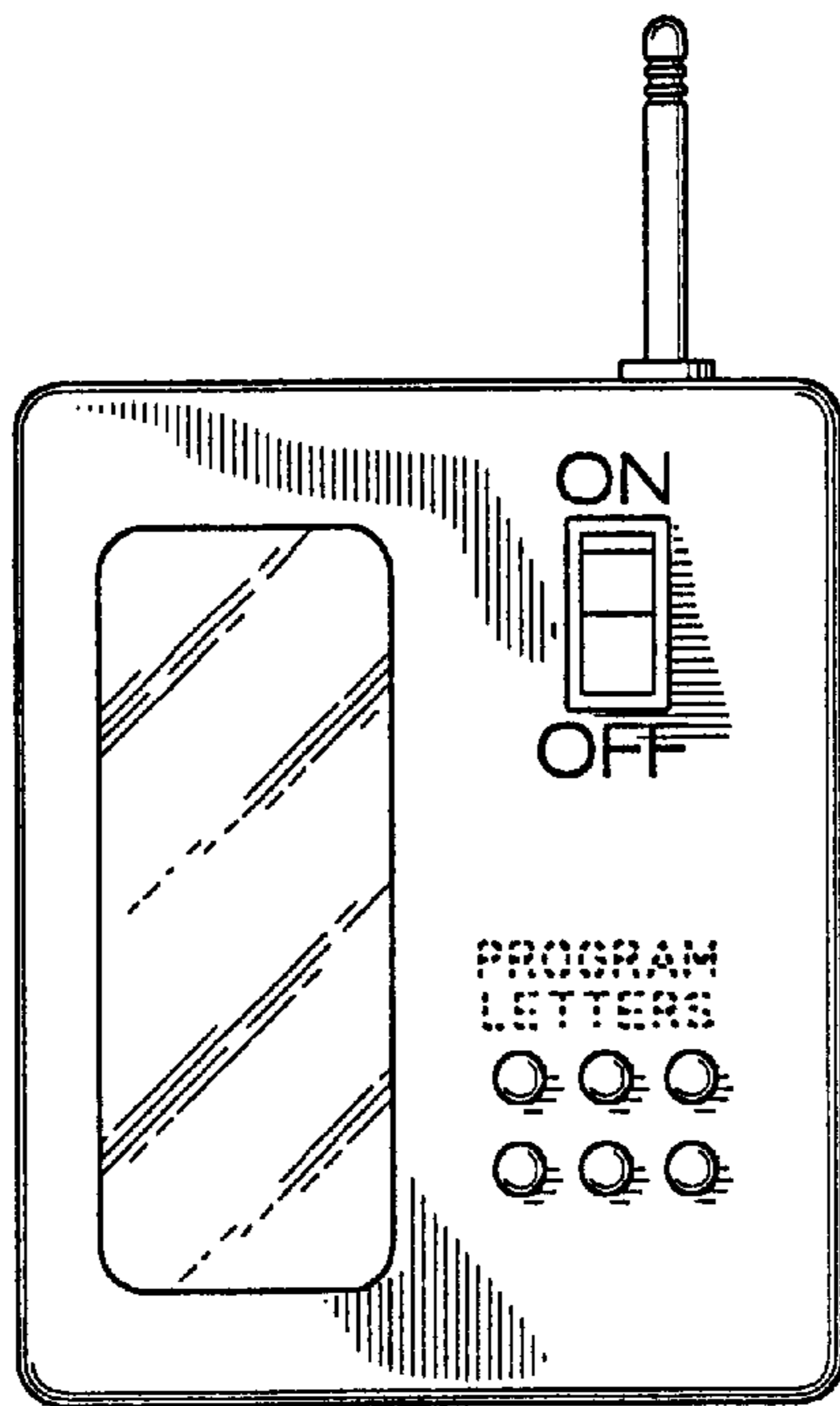


FIG. 1

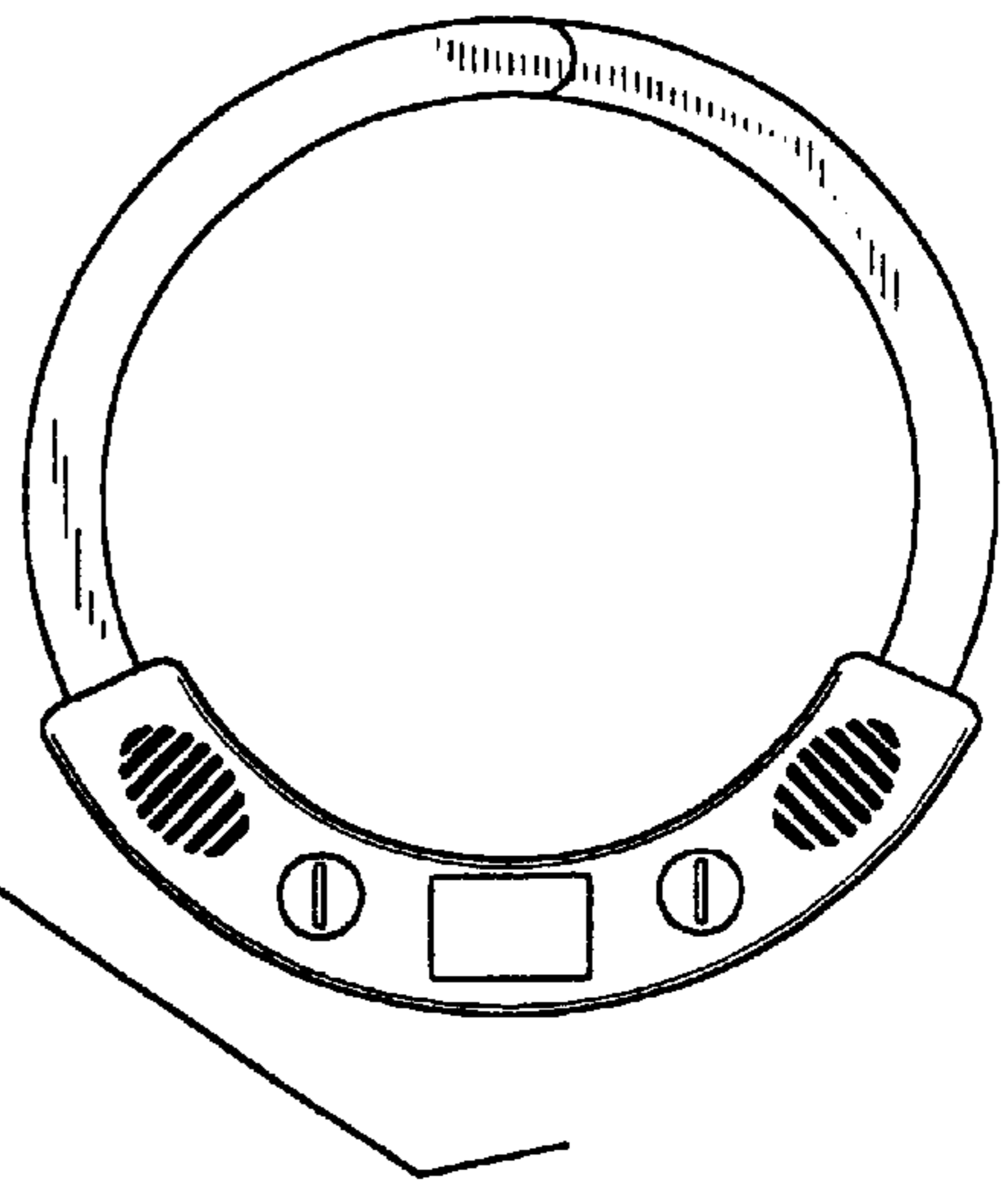


FIG. 2

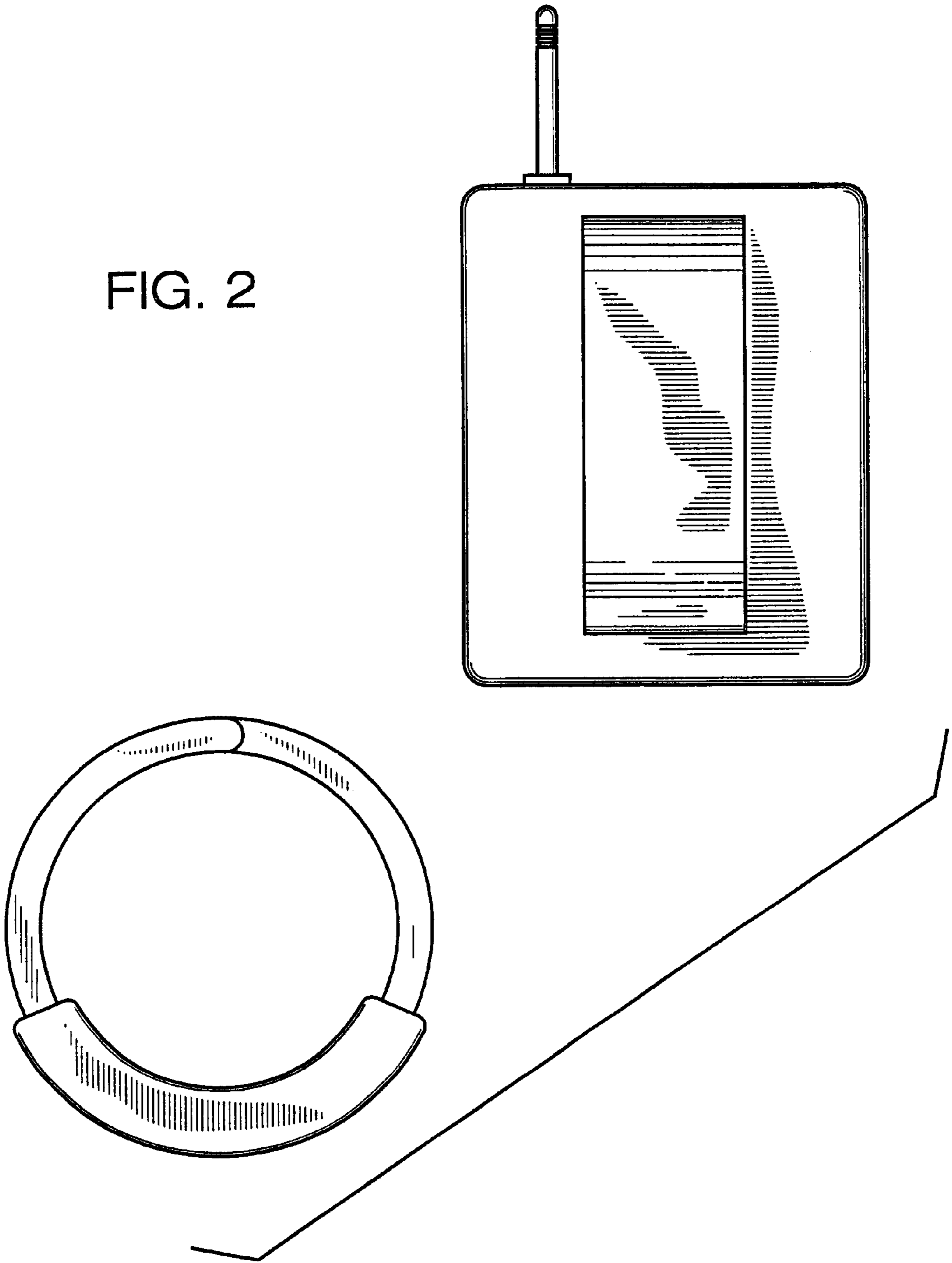


FIG. 3

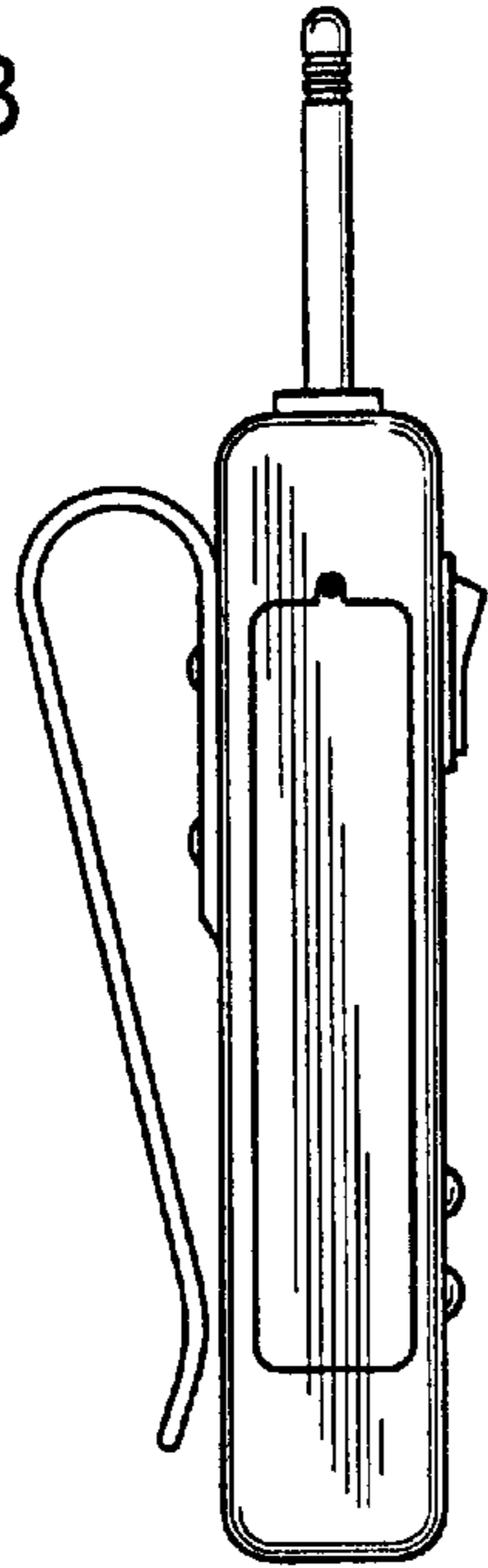


FIG. 4

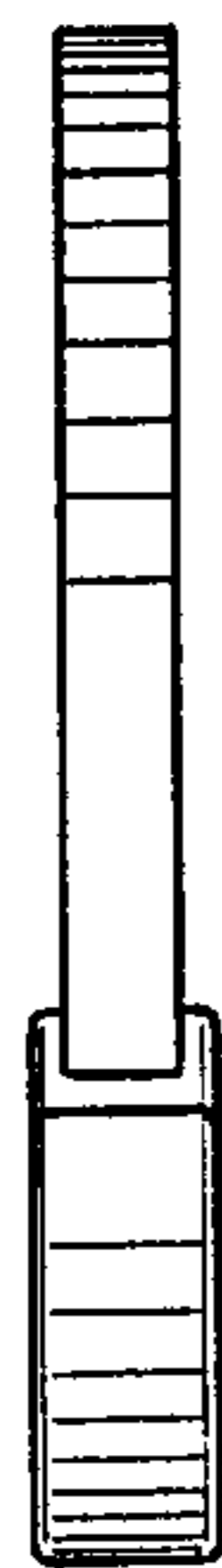
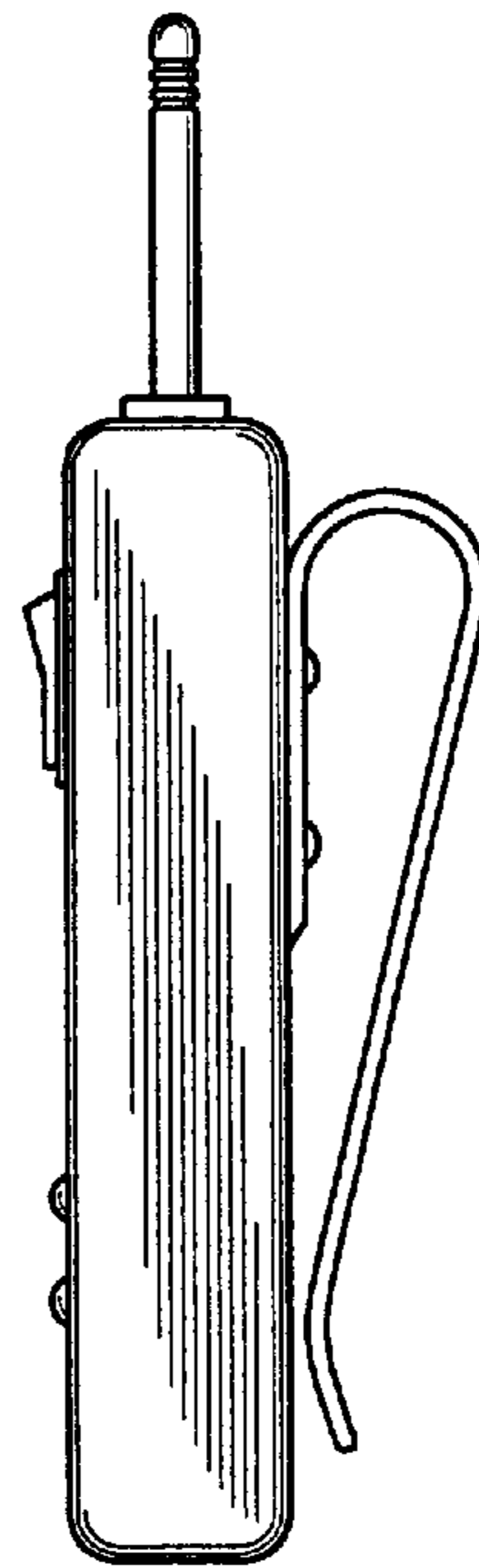


FIG. 5

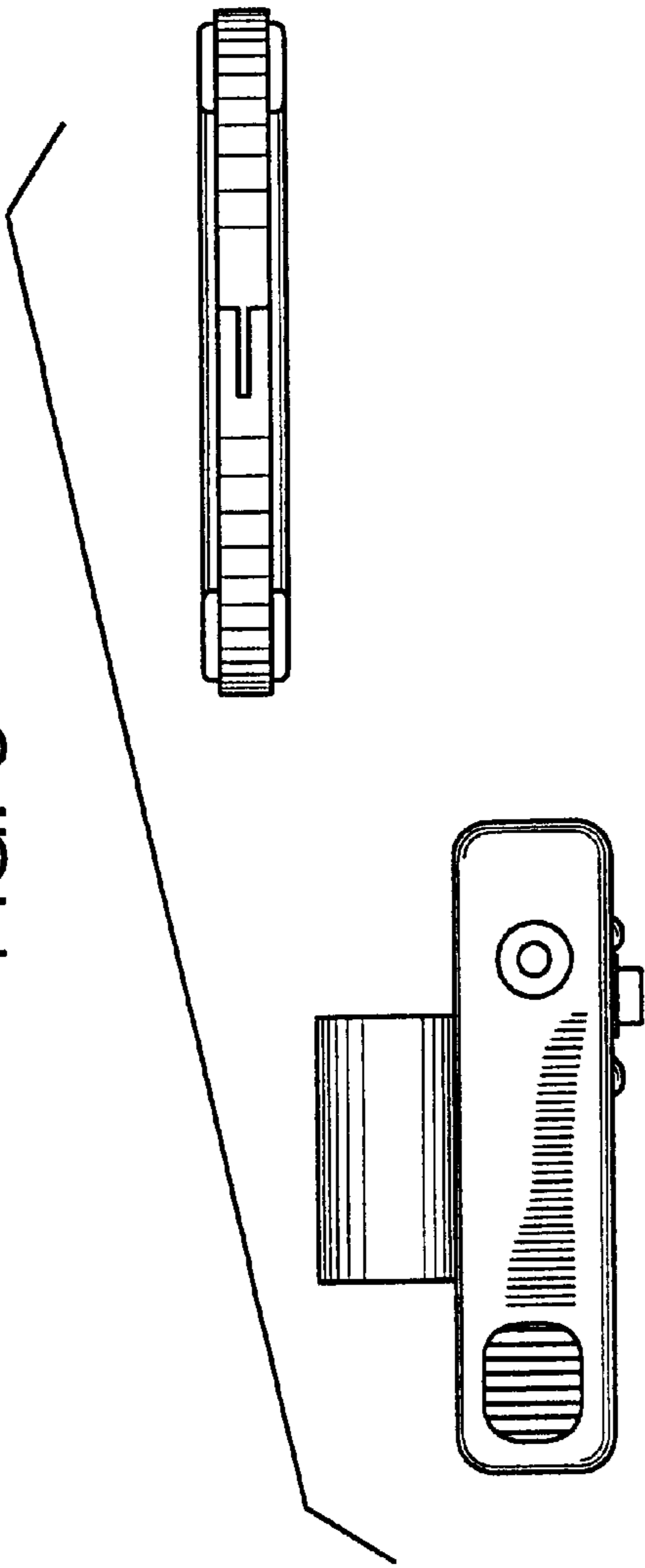


FIG. 6

