



US00D453697S

(12) **United States Design Patent**
Parsons

(10) **Patent No.:** **US D453,697 S**

(45) **Date of Patent:** **** Feb. 19, 2002**

(54) **FILTER MEDIA TEST FIXTURE**

4,530,764 A * 7/1985 Thomas et al. 210/637
6,106,592 A * 8/2000 Paranjpe et al. 95/65

(76) Inventor: **James D. Parsons**, 16221 Hideout Dr.,
Kearney, MO (US) 64060

* cited by examiner

(**) Term: **14 Years**

Primary Examiner—Antoine Duval Davis
(74) *Attorney, Agent, or Firm*—Chase & Yakimo, L.C.

(21) Appl. No.: **29/137,224**

(57) **CLAIM**

(22) Filed: **Feb. 15, 2001**

The ornamental design for a filter media test fixture, as shown and described.

(51) **LOC (7) Cl.** **10-04**

(52) **U.S. Cl.** **D10/96**

(58) **Field of Search** D10/96; 55/360;
73/40.7, 38; 95/64-66, 68, 71, 75; 96/27,
52, 53, 44-50

DESCRIPTION

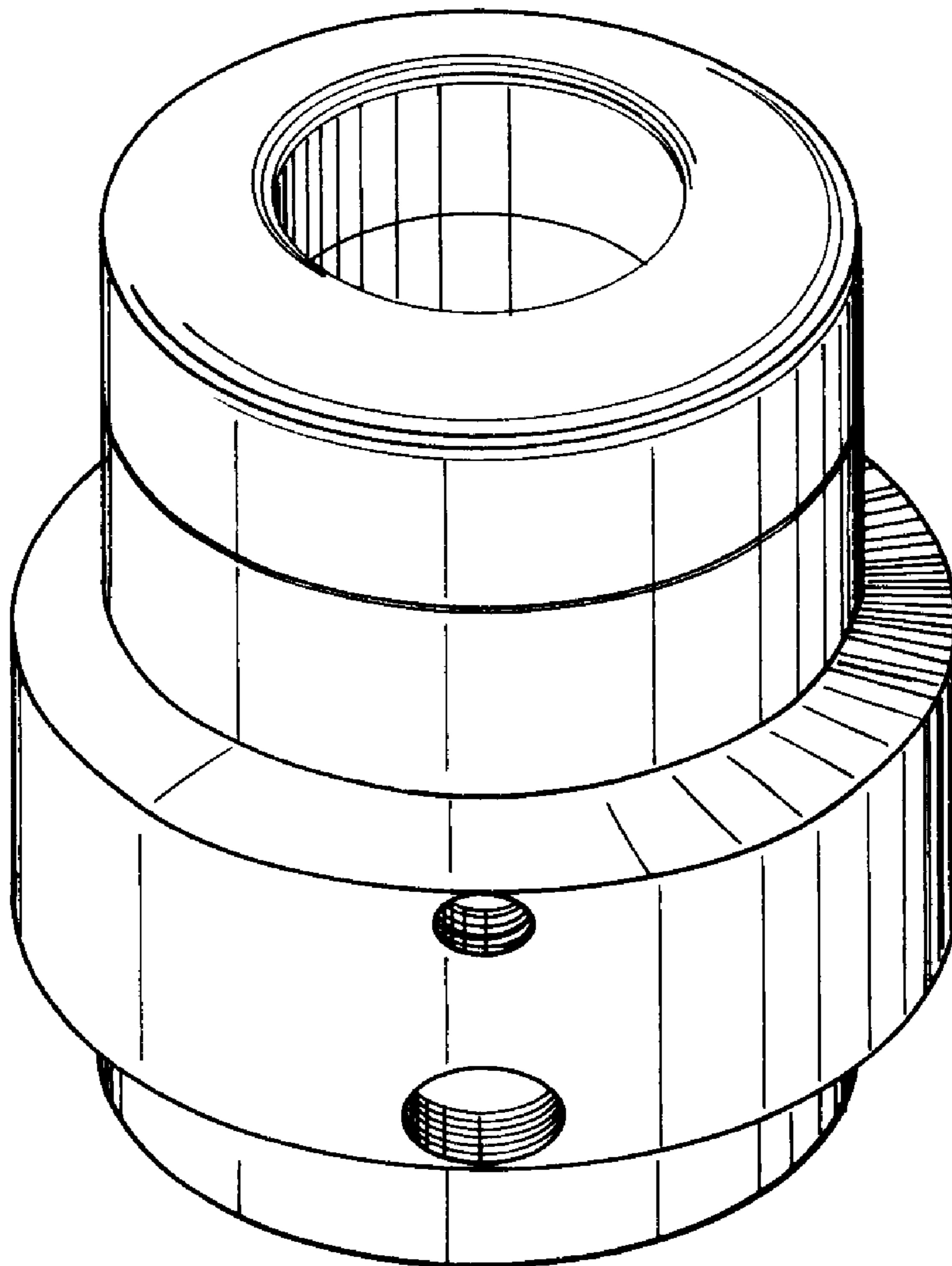
FIG. 1 is a top view of a filter media test fixture showing my new design;
FIG. 2 is a bottom view thereof;
FIG. 3 is a side elevational view thereof; and,
FIG. 4 is a perspective view thereof.

(56) **References Cited**

U.S. PATENT DOCUMENTS

4,402,214 A * 9/1983 Morgan et al. 73/40.7

1 Claim, 1 Drawing Sheet



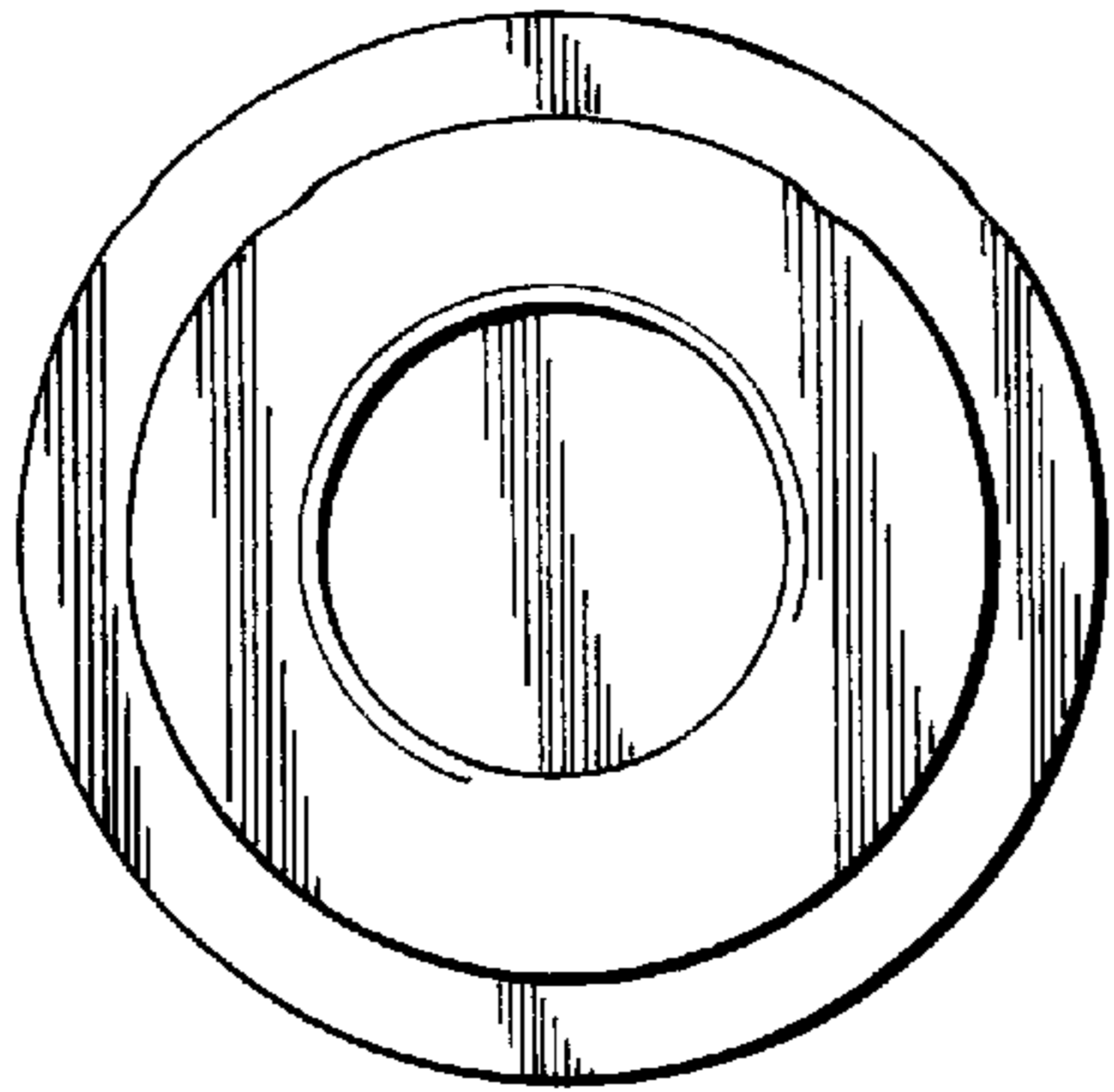


Fig. 1

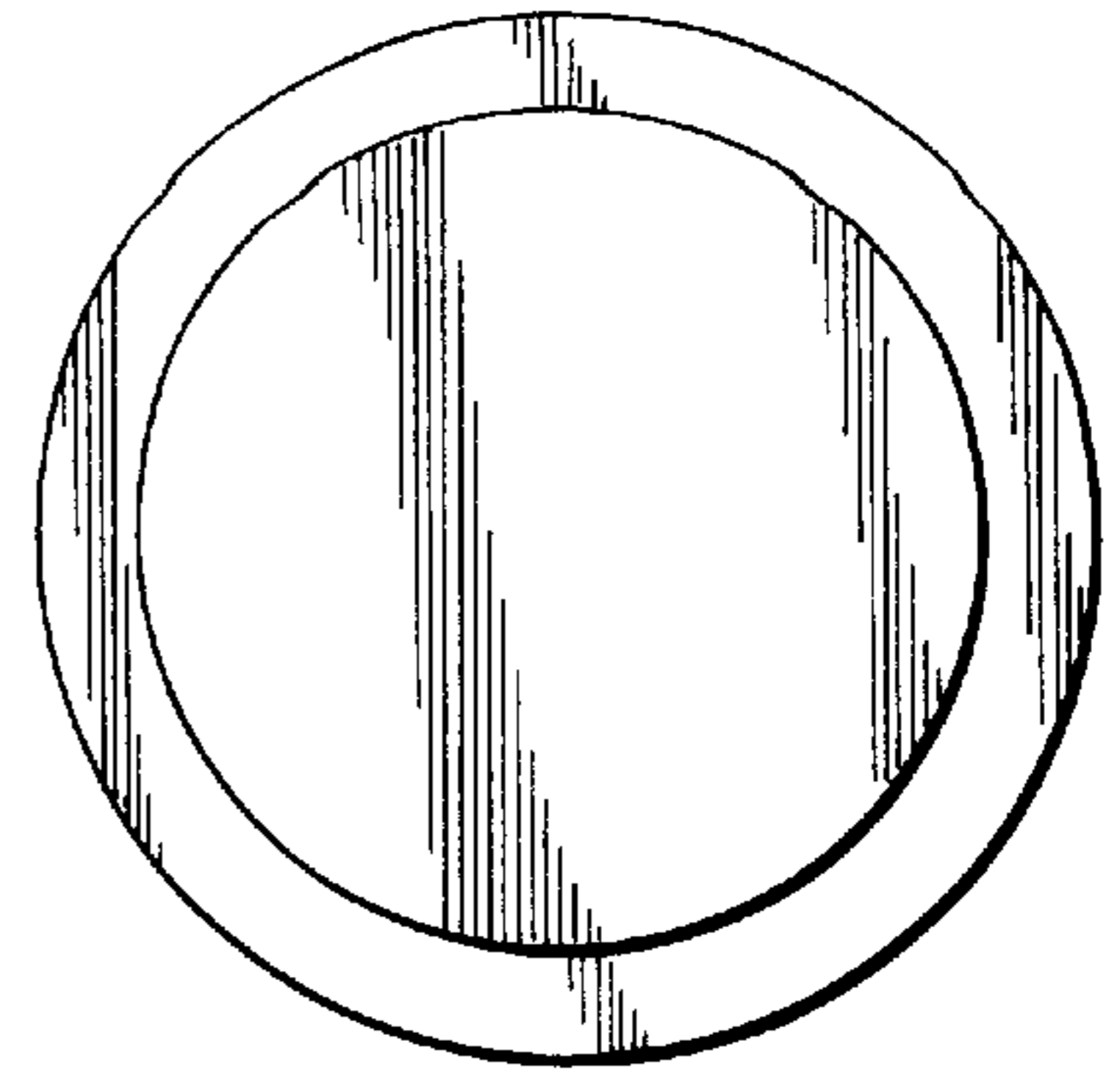


Fig. 2

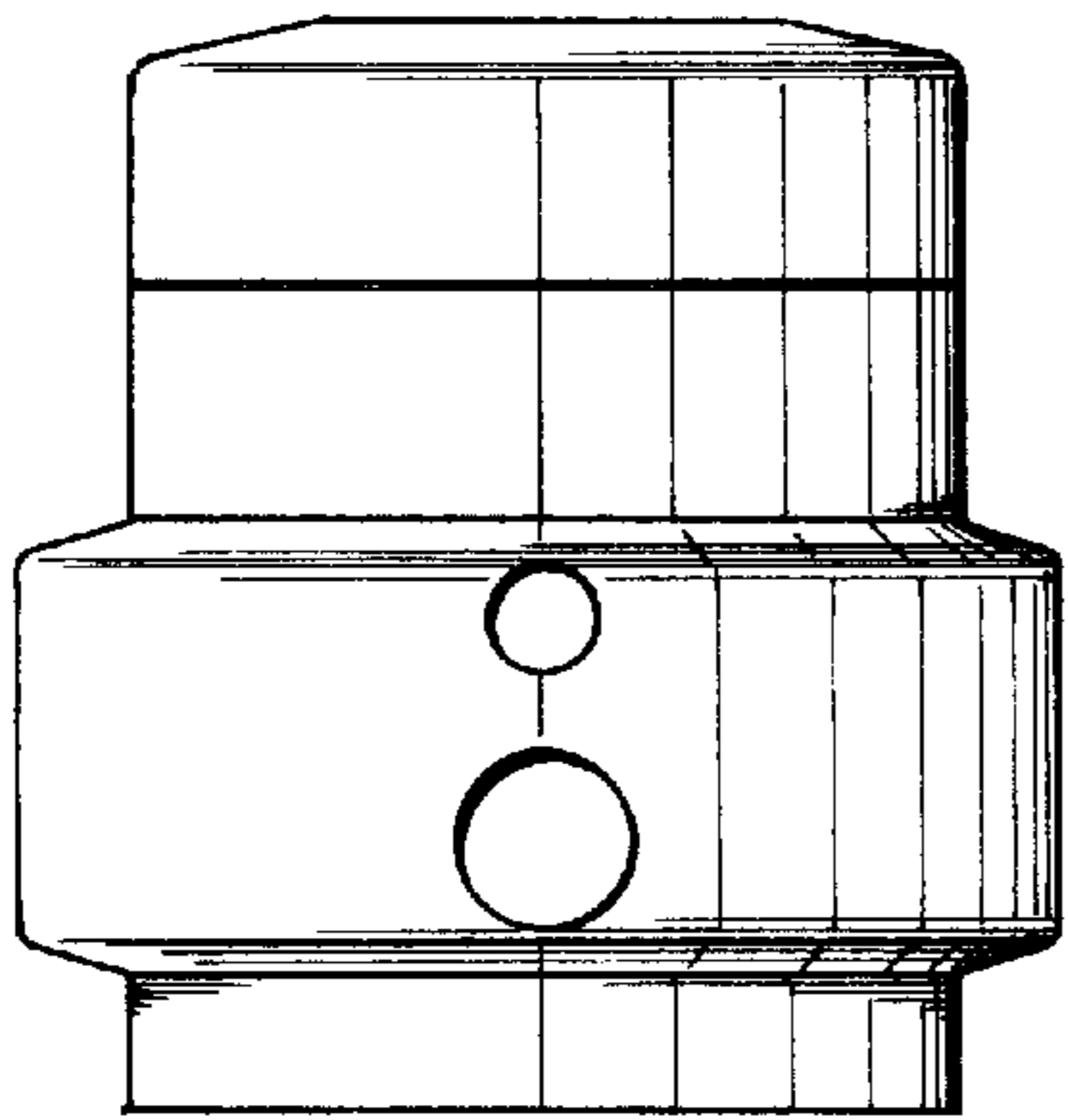


Fig. 3

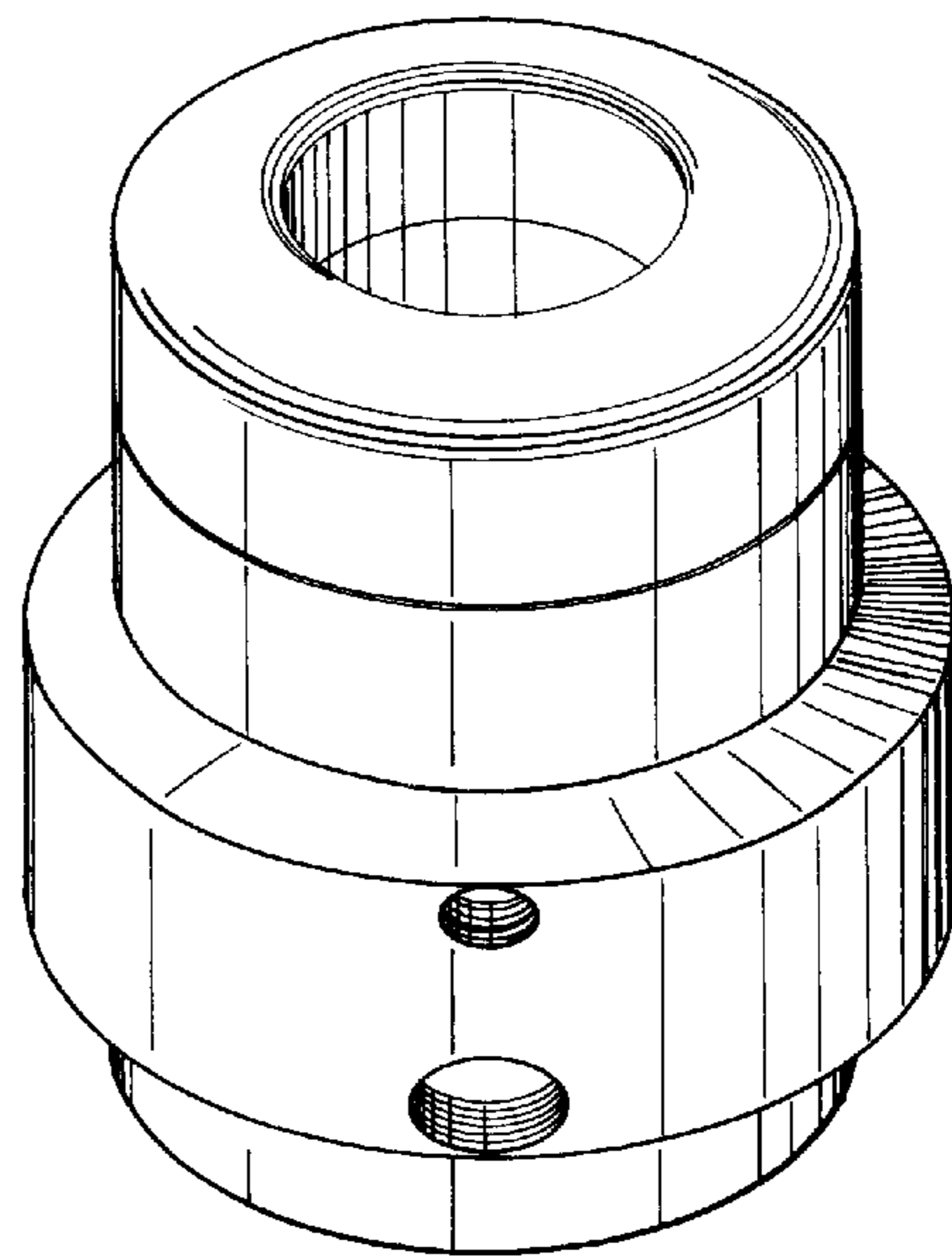


Fig. 4