



US00D453696S

(12) **United States Design Patent**
Thadani

(10) **Patent No.:** **US D453,696 S**

(45) **Date of Patent:** **** Feb. 19, 2002**

(54) **GLOW-IN-THE-DARK SPRING SCALE**

DESCRIPTION

(76) Inventor: **Mohan Thadani**, 7291 Waldorf Way,
Mississauga, Ontario (CA), L5N 7P7

(**) Term: **14 Years**

(21) Appl. No.: **29/138,940**

(22) Filed: **Mar. 23, 2001**

(51) **LOC (7) Cl.** **10-04**

(52) **U.S. Cl.** **D10/89**

(58) **Field of Search** D10/89; 177/148,
177/25.13, 25.15, 243-245

(56) **References Cited**

U.S. PATENT DOCUMENTS

D315,318 S * 3/1991 Hitchcock, II D10/89

OTHER PUBLICATIONS

Reproduction of a photograph of a scale entitled "Accura Black 30 Gram Spring Scale", date unknown, which was obtained from the Internet on May 11, 2001.

* cited by examiner

Primary Examiner—Antoine Duval Davis

(74) *Attorney, Agent, or Firm*—Greenblum & Bernstein, P.L.C.

(57) **CLAIM**

The ornamental design for a glow-in-the-dark spring scale, as shown and described.

FIG. 1 is a front perspective view of a first embodiment of a glow-in-the-dark spring scale, showing my new design;

FIG. 2 is a front elevational view of the embodiment of FIG. 1;

FIG. 3 is a rear elevational view of the embodiment of FIG. 1;

FIG. 4 is a left side elevational view of the embodiment of FIG. 1;

FIG. 5 is a right side elevational view of the embodiment of FIG. 1;

FIG. 6 is a top plan view of the embodiment of FIG. 1;

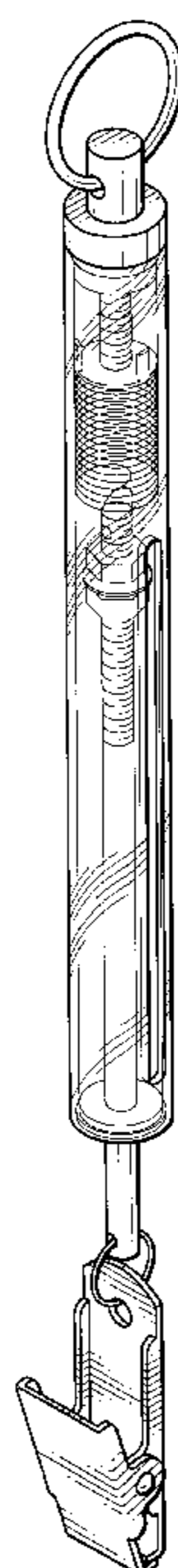
FIG. 7 is a bottom plan view of the embodiment of FIG. 1;

FIG. 8 is a cross sectional view taken at line 8—8 in FIG. 2; and,

FIG. 9 is a perspective view of a second embodiment of a glow-in-the-dark spring scale.

The second embodiment differs from the first embodiment only by the rings and clip being shown in broken lines rather than solid lines. The broken lines indicate structure that is for illustrative purposes only and forms no part of the design to be patented. The stippled shading in FIG. 8 is used to indicate a transparent material having phosphorescence. The cross sectional view is shown for convenience of illustration.

1 Claim, 4 Drawing Sheets



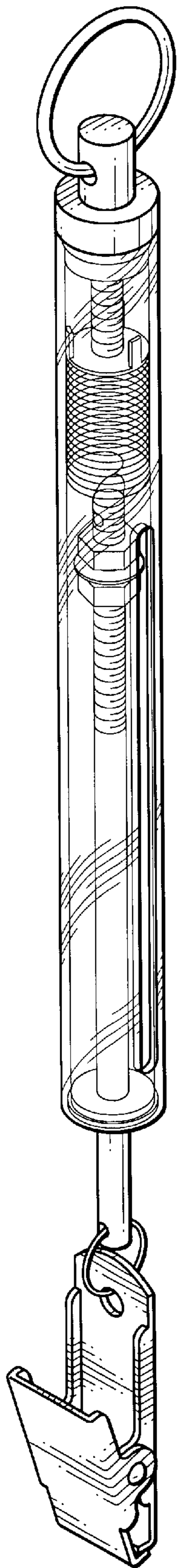


FIG. 1

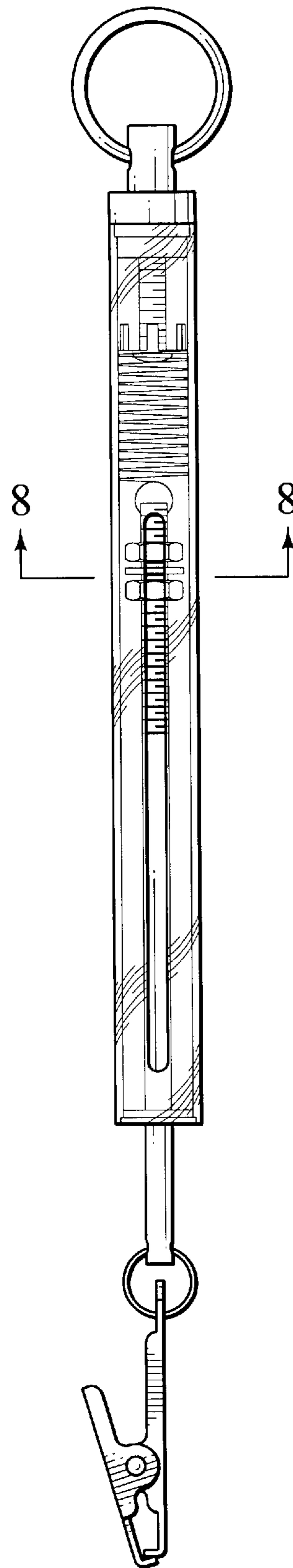


FIG. 2

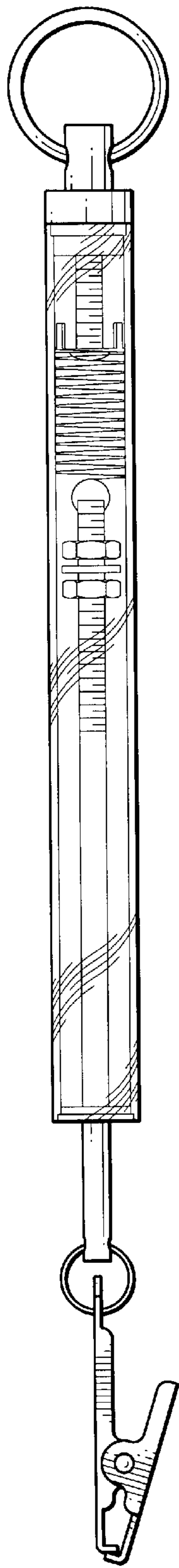


FIG. 3

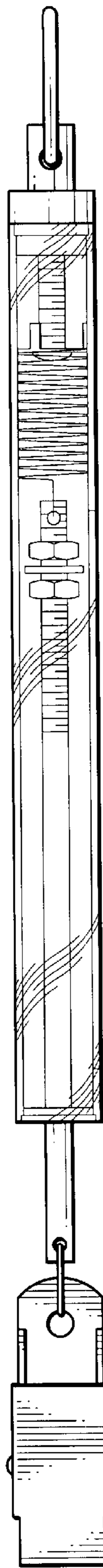


FIG. 4

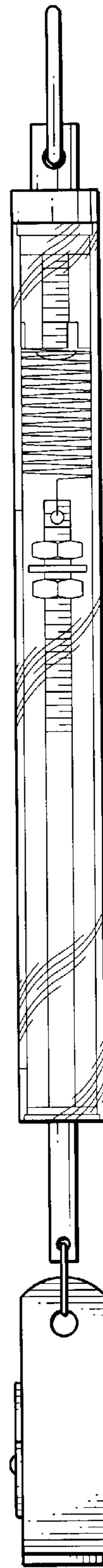


FIG. 5

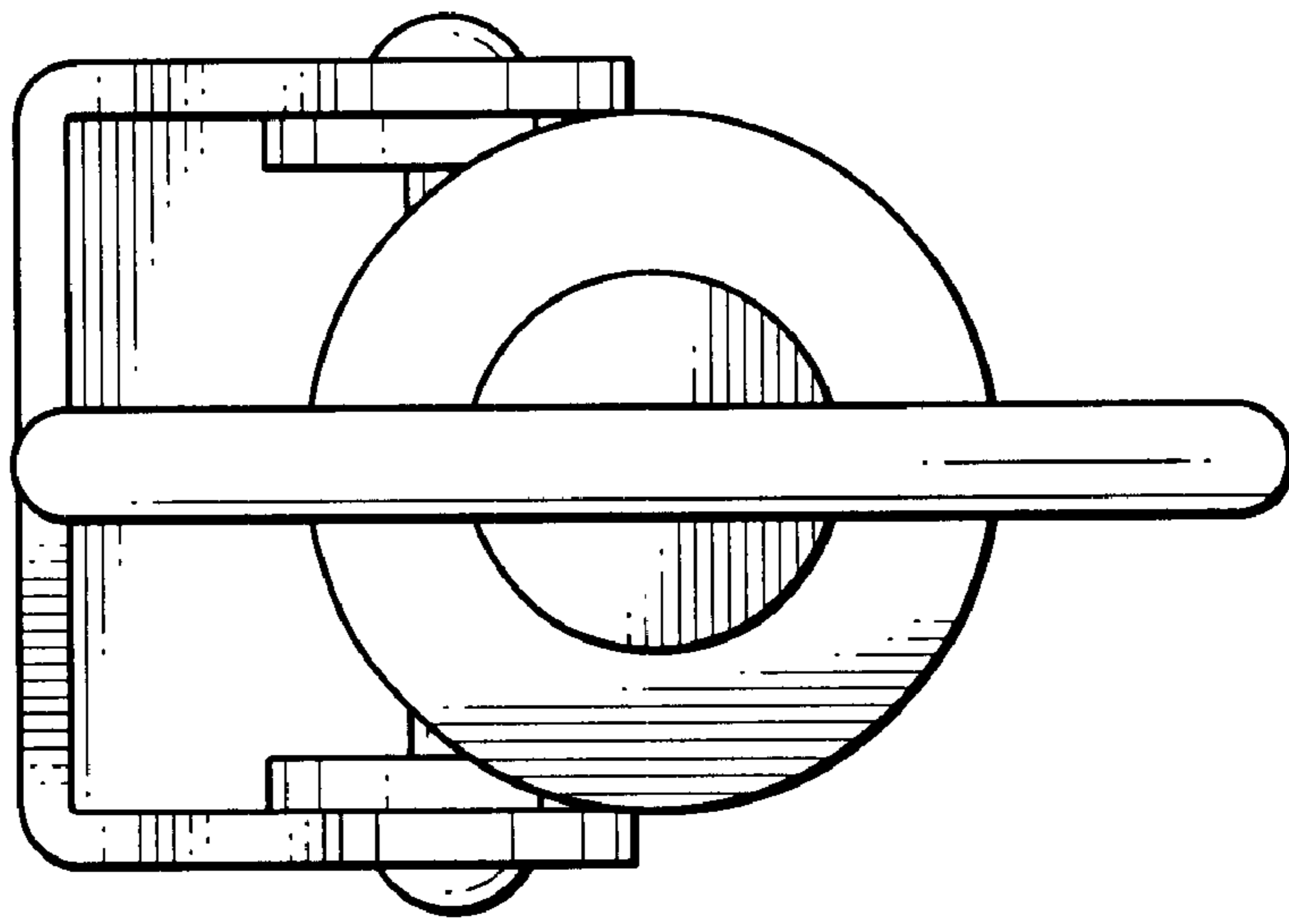


FIG. 6

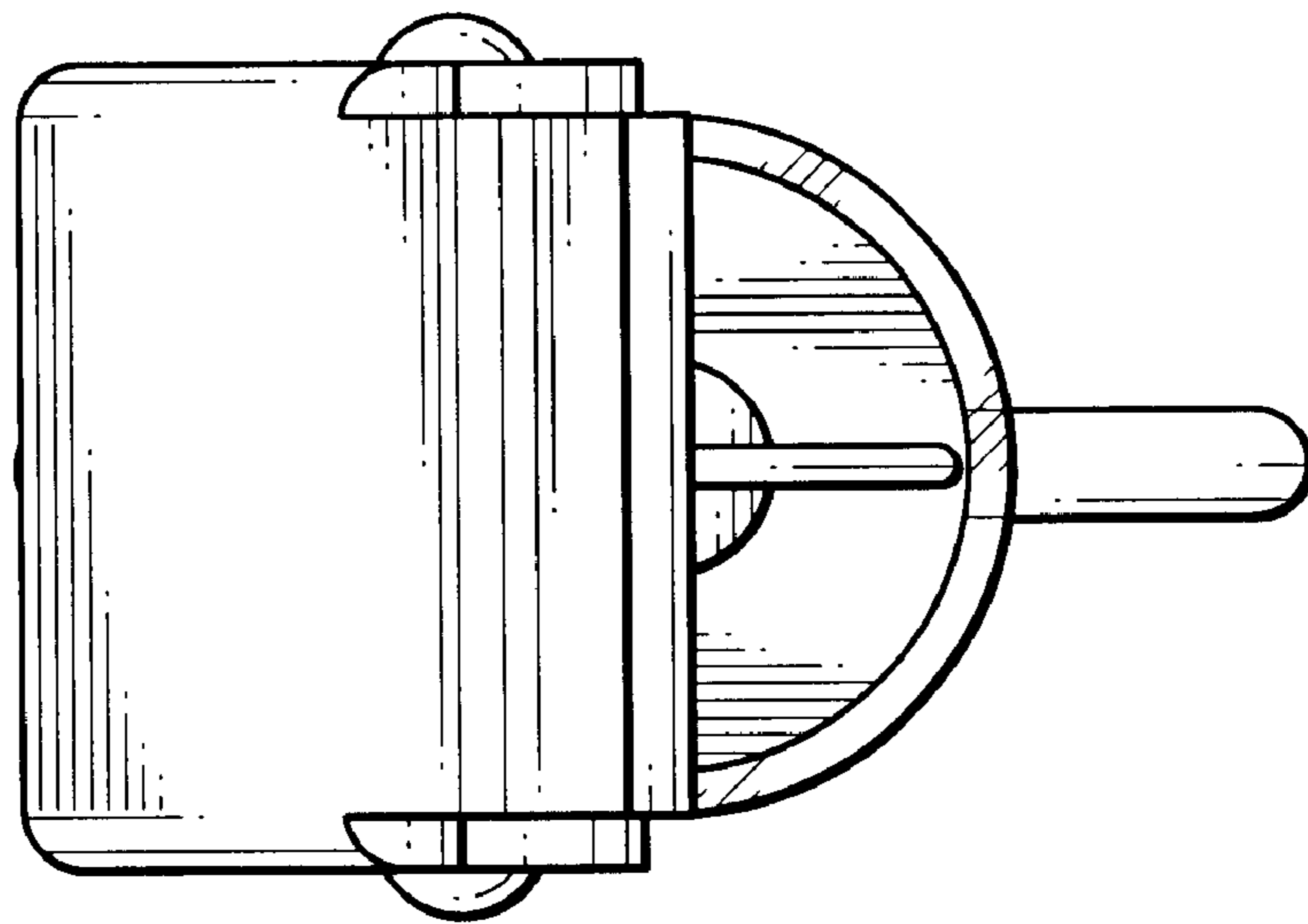


FIG. 7

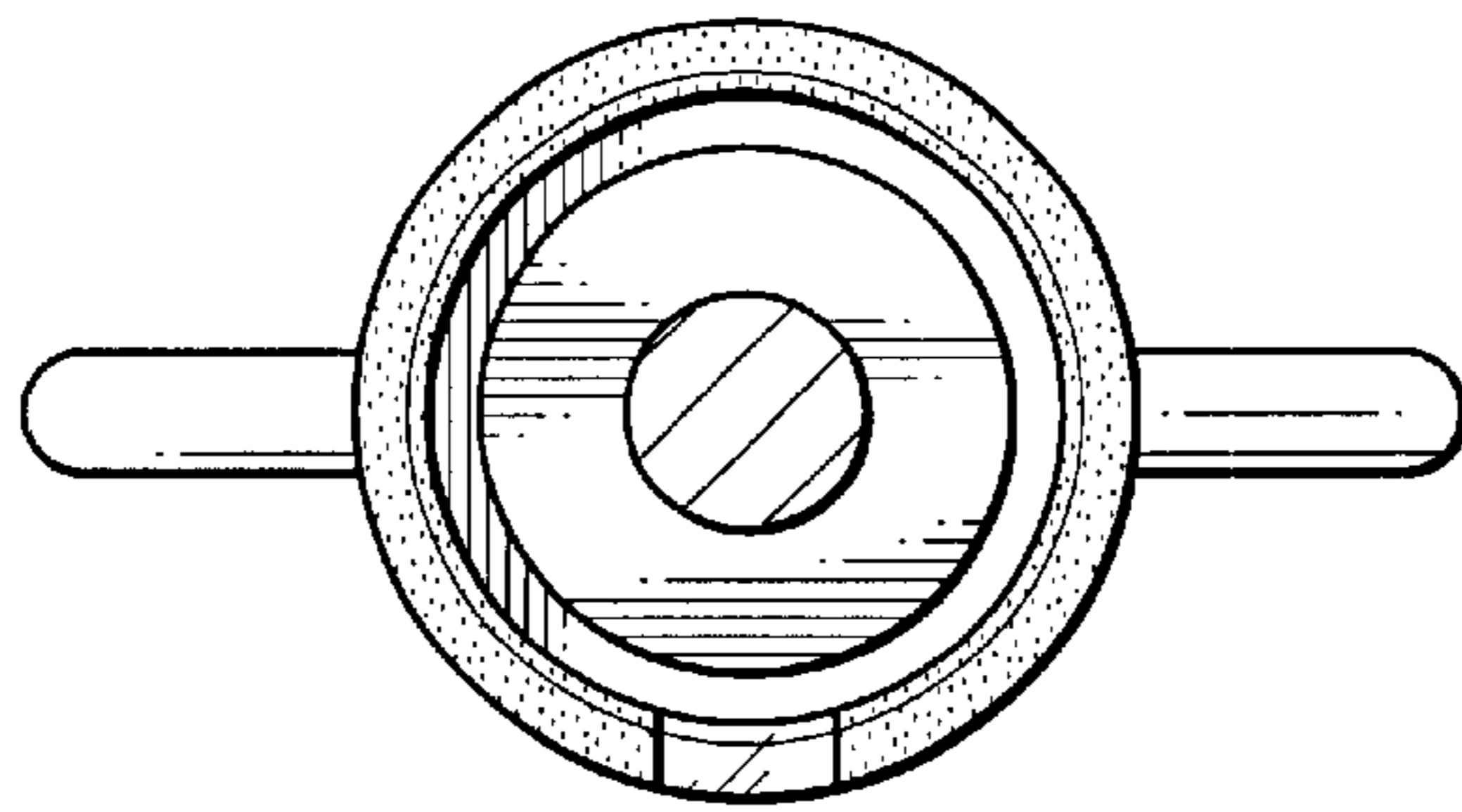


FIG. 8

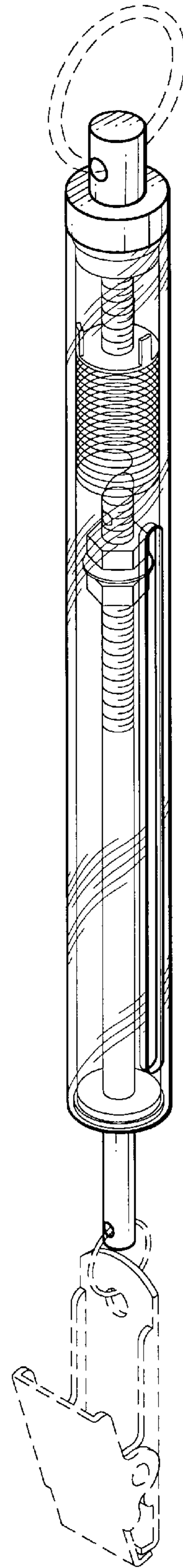


FIG. 9