



US00D453695S

(12) **United States Design Patent**
Nordstrom

(10) **Patent No.:** **US D453,695 S**

(45) **Date of Patent:** **** Feb. 19, 2002**

(54) **WEIGHING DEVICE**

5,798,487 A * 8/1998 Golchman et al. 177/54 X
5,850,057 A * 12/1998 Veillette 177/54 X

(75) Inventor: **Hakan Nordstrom, Akersberga (SE)**

* cited by examiner

(73) Assignee: **Swedish Weight Technology AB (SE)**

Primary Examiner—Antoine Duval Davis

(**) Term: **14 Years**

(74) *Attorney, Agent, or Firm*—Banner & Witcoff, Ltd.

(21) Appl. No.: **29/132,476**

(57) **CLAIM**

(22) Filed: **Nov. 13, 2000**

The ornamental design for a weighing device, as shown and described.

(30) **Foreign Application Priority Data**

DESCRIPTION

May 12, 2000 (SE) 00-0945

FIG. 1 is a top plan view of a weighing device showing my new design;

(51) **LOC (7) Cl.** **10-04**

FIG. 2 is a side elevational view of one side thereof;

(52) **U.S. Cl.** **D10/87**

FIG. 3 is a front elevational view thereof;

(58) **Field of Search** D10/87; 177/54,
177/58, 83, 84, 229; 73/862.634, 862.639

FIG. 4 is a side elevational view of a side thereof opposite that shown in FIG. 2;

(56) **References Cited**

FIG. 5 is a bottom plan view thereof;

U.S. PATENT DOCUMENTS

FIG. 6 is a rear elevational view thereof;

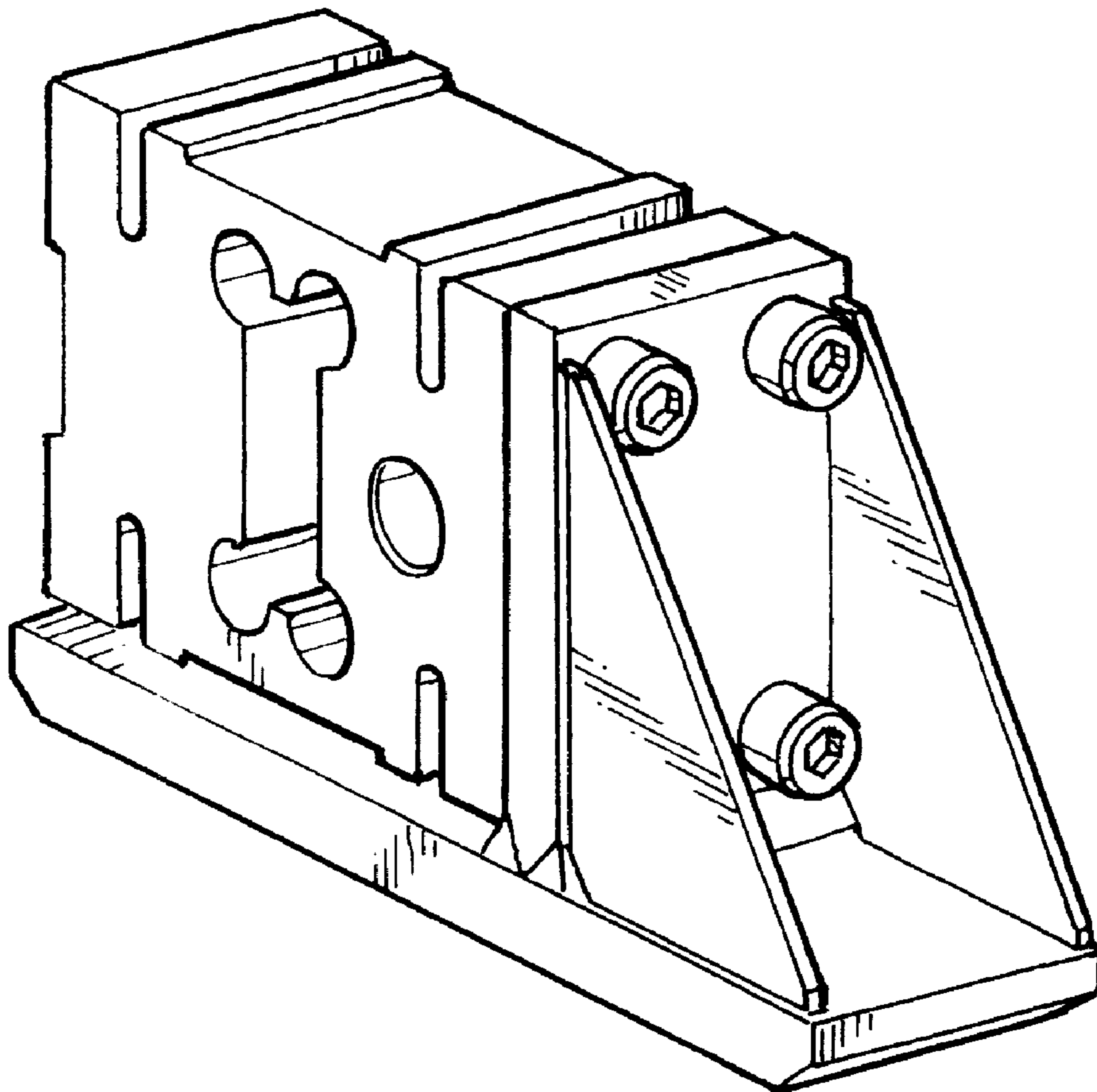
5,425,278 A * 6/1995 Perkins 73/862.632

FIG. 7 is a perspective view thereof; and,

5,646,375 A * 7/1997 Neuman 177/54

FIG. 8 is a perspective view thereof opposite that of FIG. 7.

1 Claim, 2 Drawing Sheets



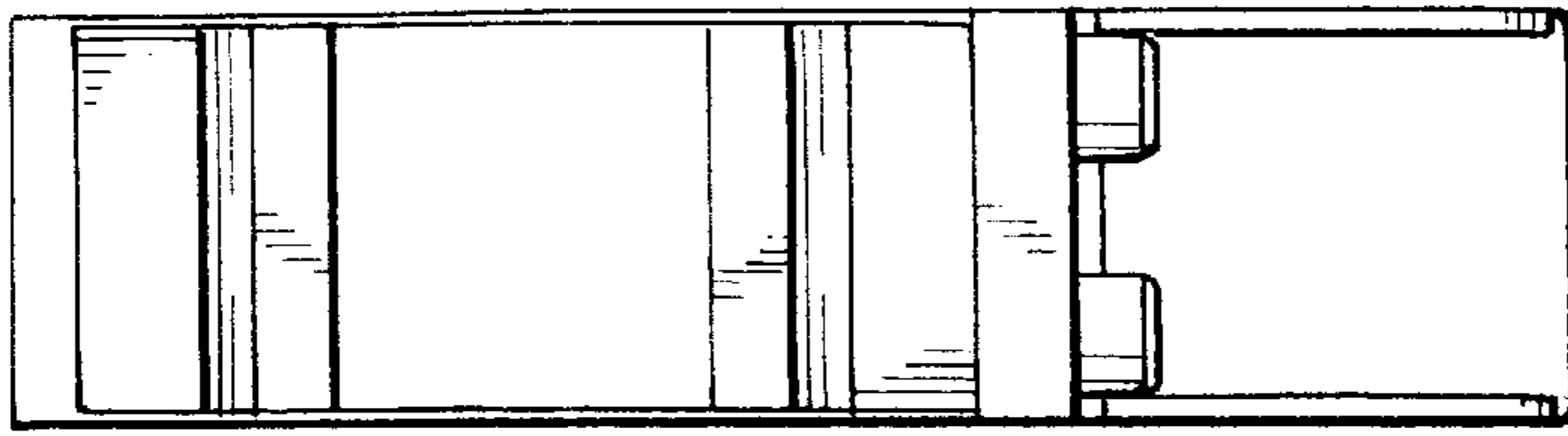


FIG. 1

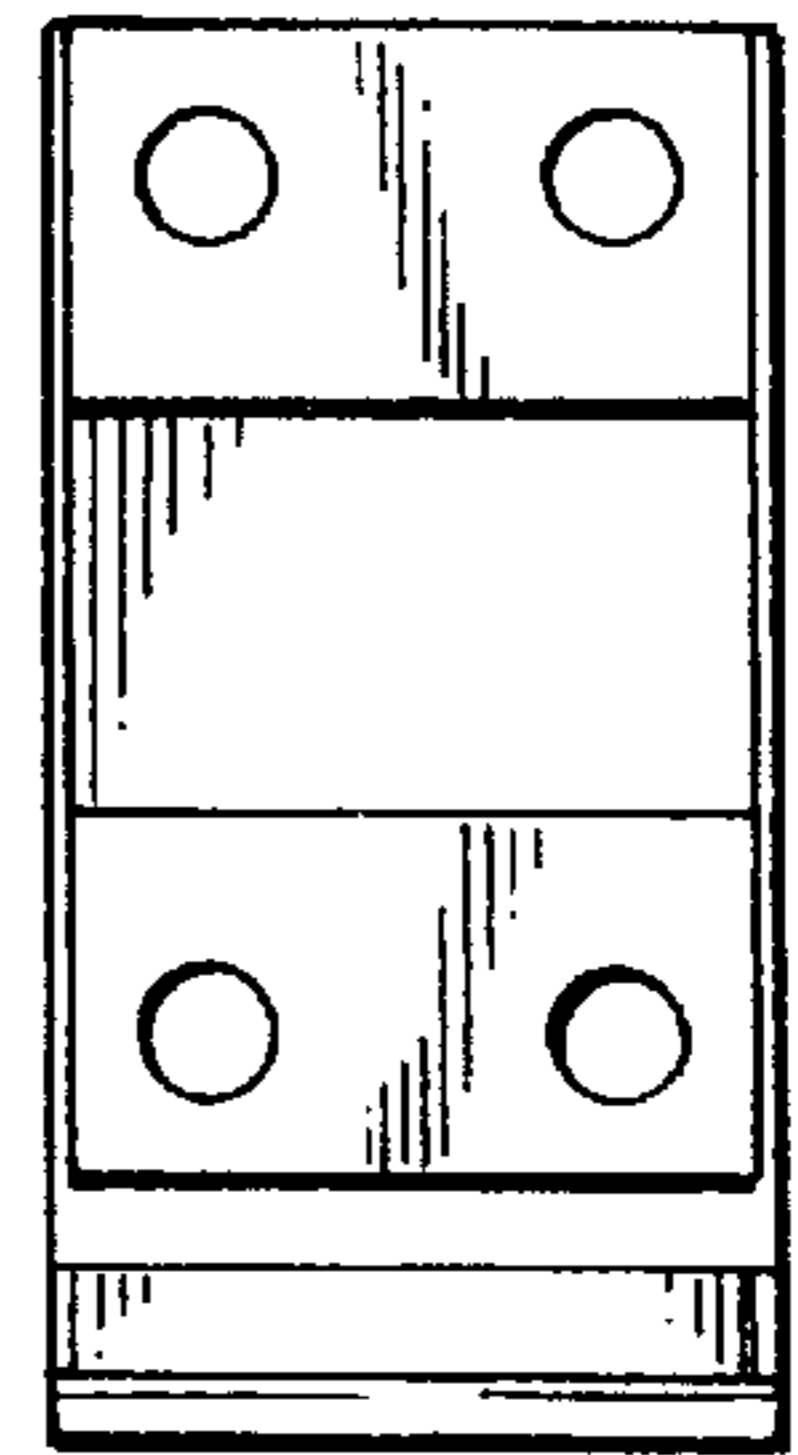


FIG. 2

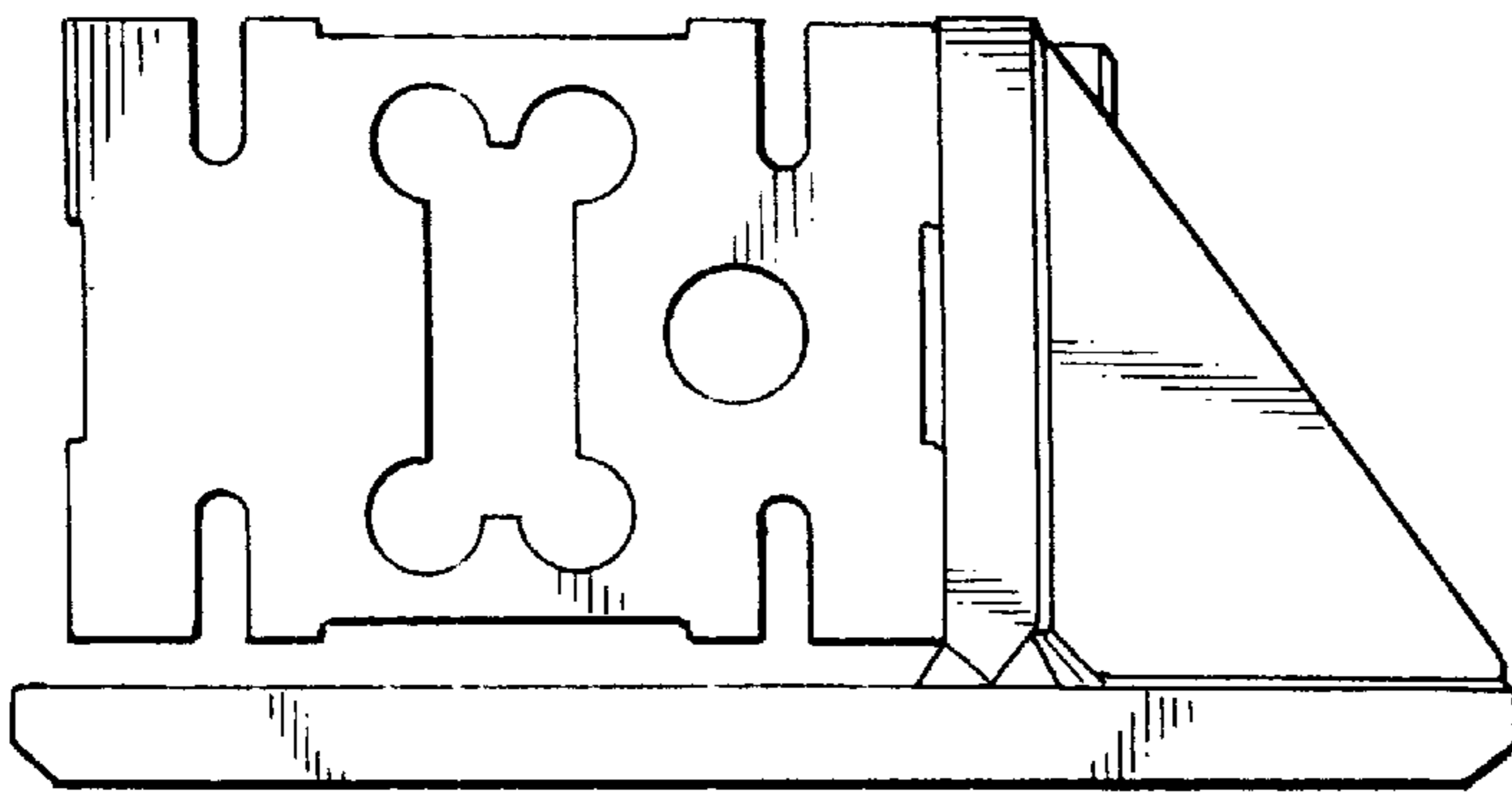


FIG. 3

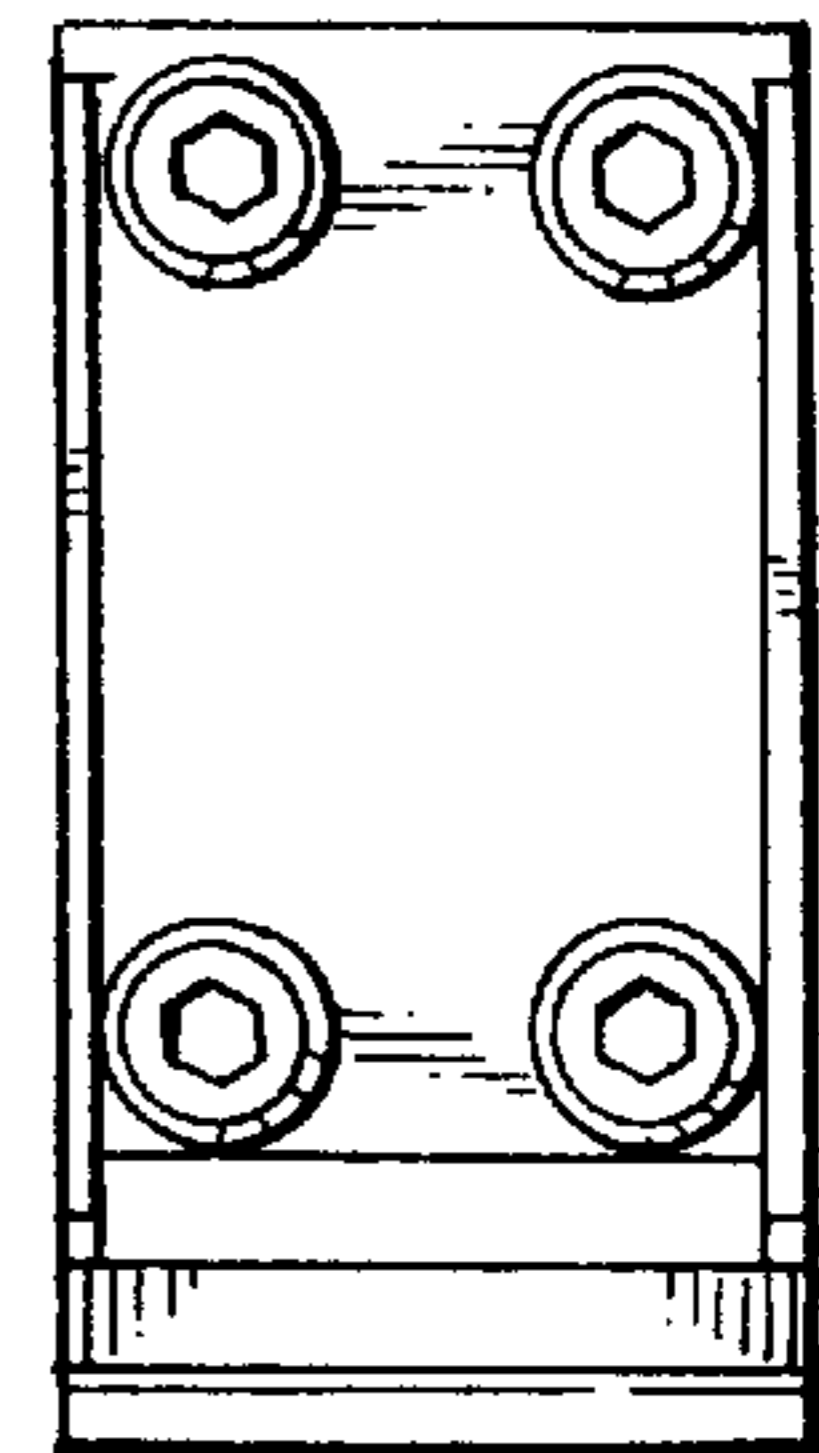


FIG. 4

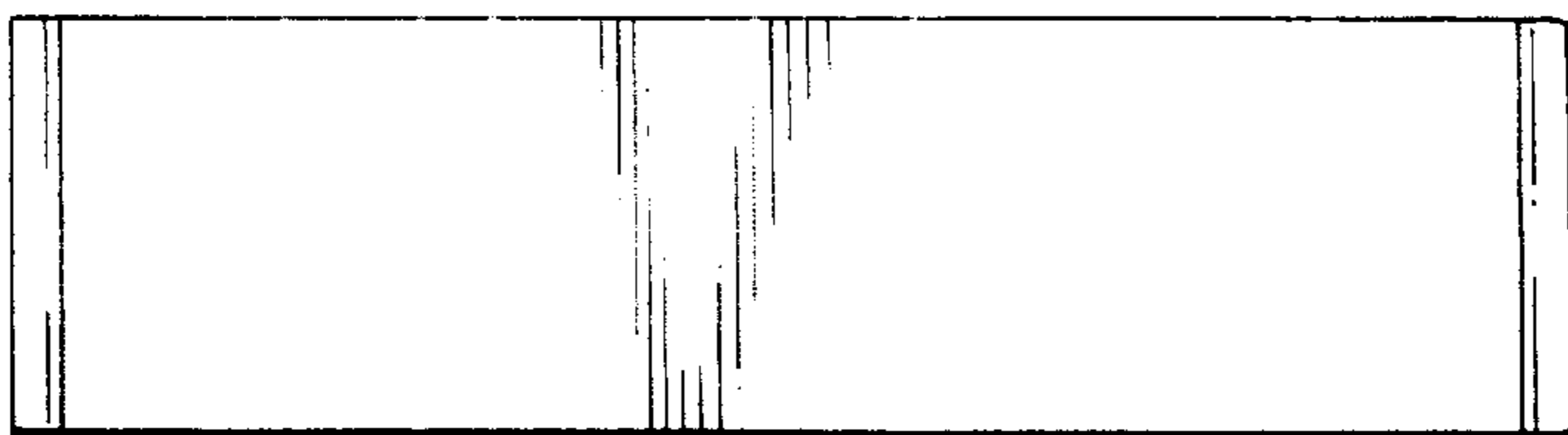


FIG. 5

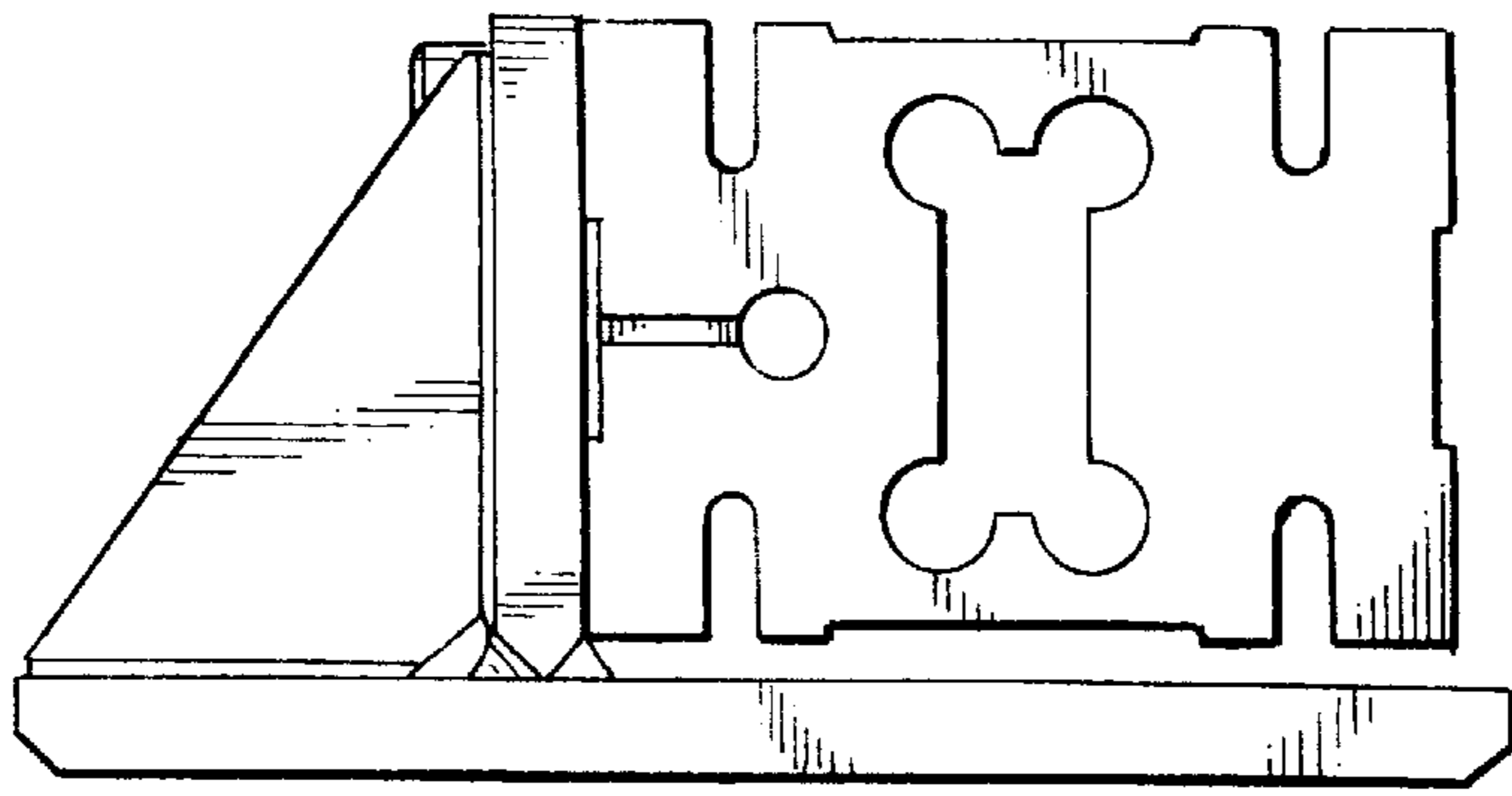


FIG. 6

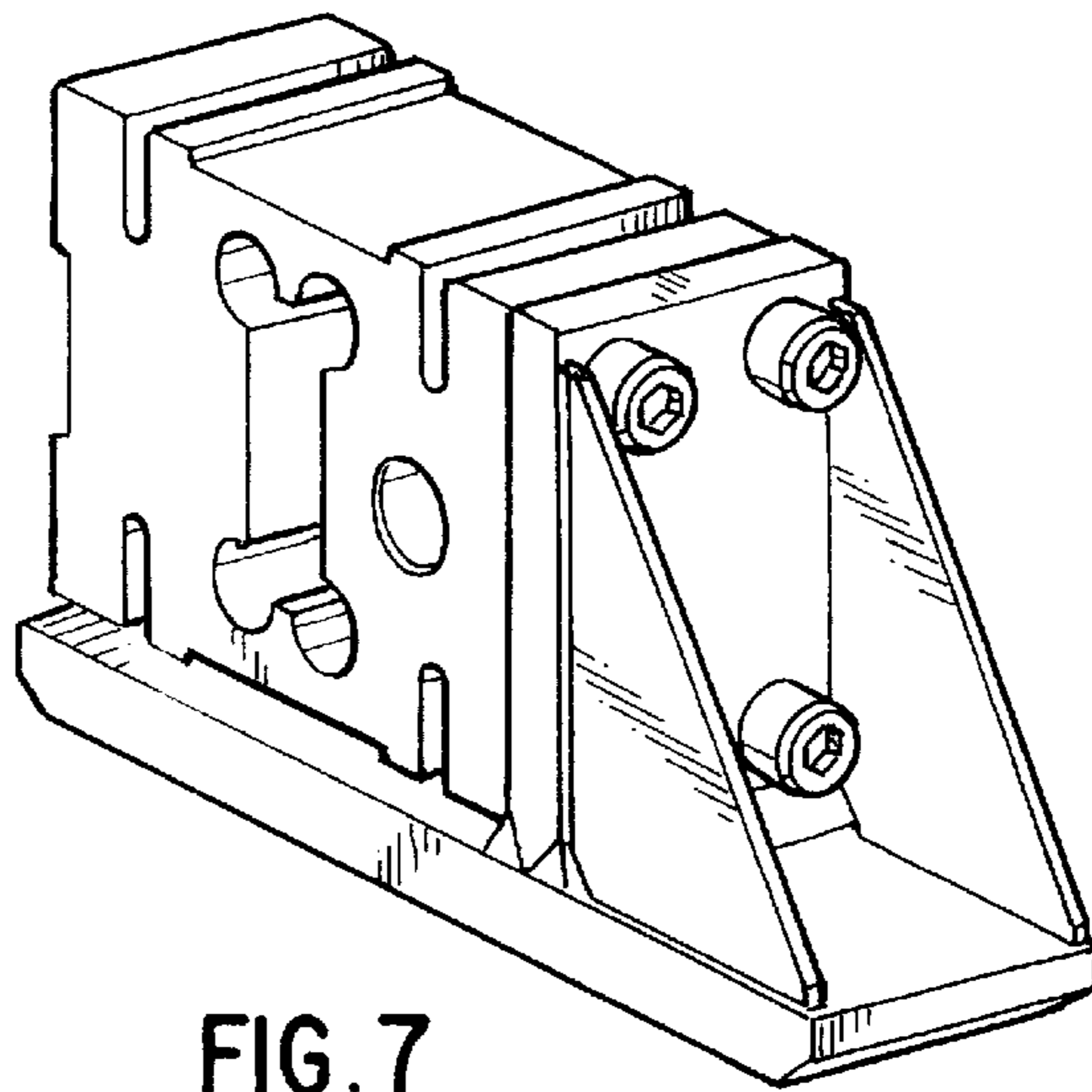


FIG. 7

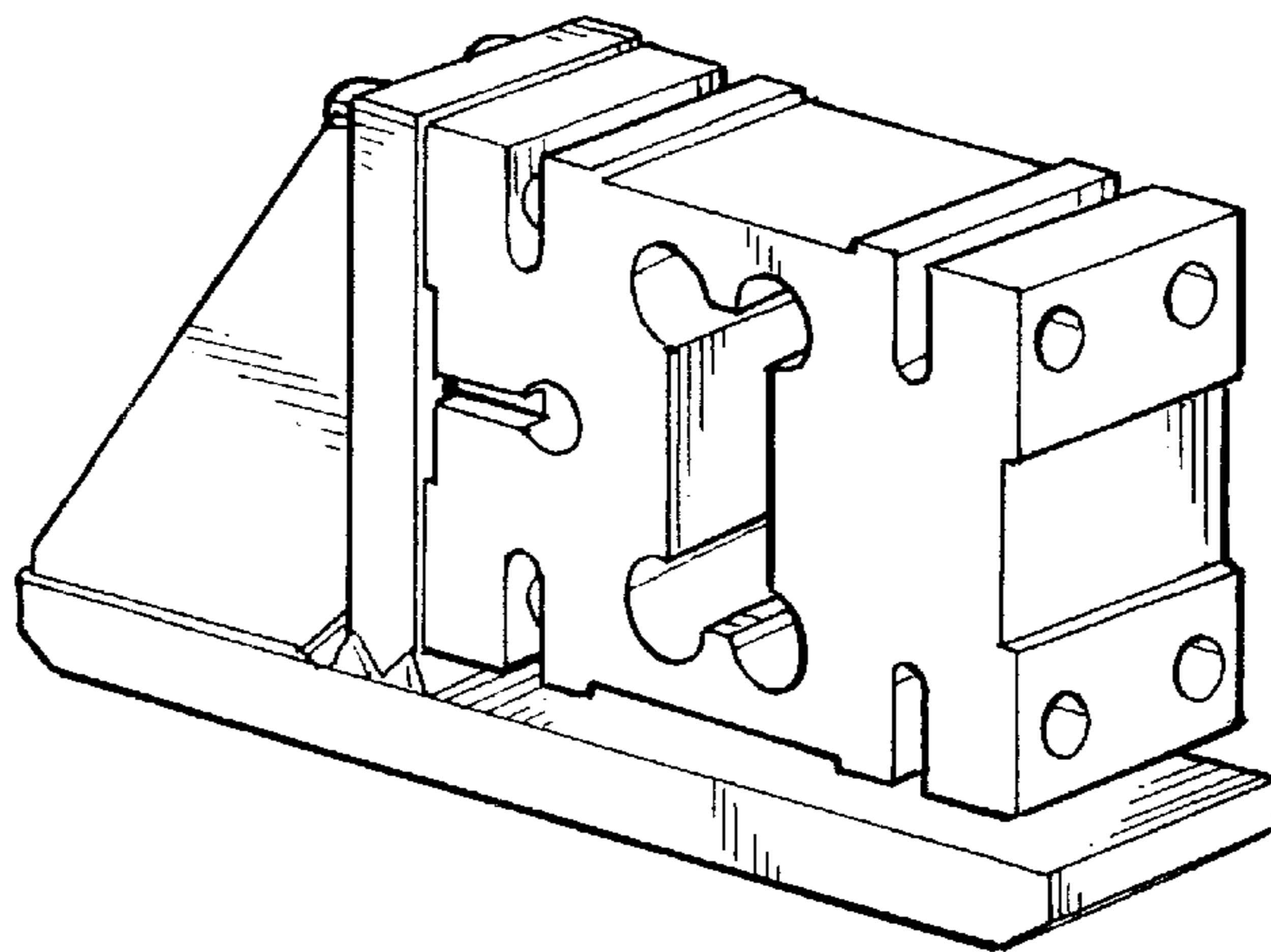


FIG. 8